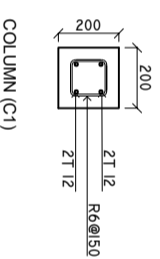
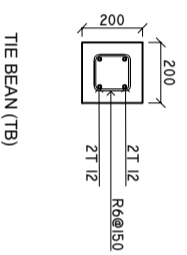
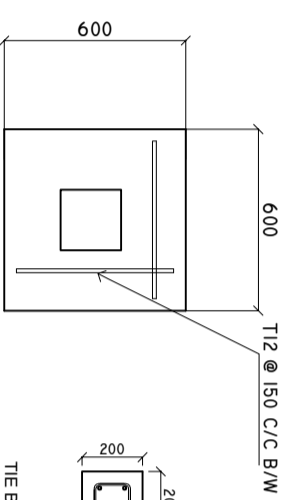
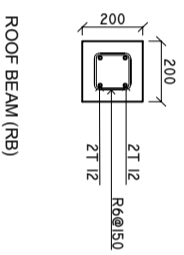
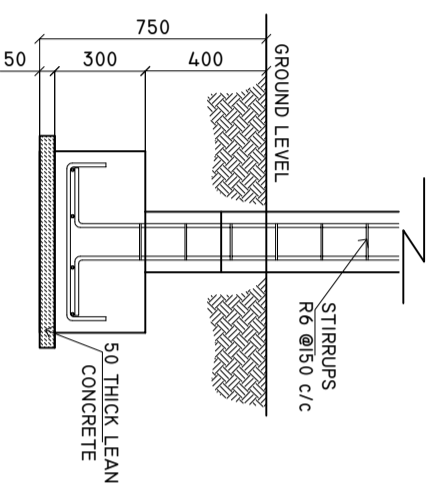


DETAILS R/C

SCALE: 1 : 25



F1



MINIMUM 50MM COVER BELOW GROUND LEVEL	ALL BAR BENDING & OVERLAPS AS PER ACTUAL BS STANDARD.
MINIMUM 30MM COVER ABOVE GROUND LEVEL	

NOTE:
LINTEL BEAMS TO BE LAID ABOVE AND BELOW ALL WINDOWS AND ALL DOORS.

SHEET CONTENTS :

REVISION NOTES:

PROJECT:
RENOVATION OF
RADIOLOGY
DEPARTMENT AT R.
UGOOFARU REGIONAL
HOSPITAL

CLIENT:
MINISTRY OF HEALTH
LOCATION:
R. UGOOFARU

CONTENTS: AS GIVEN

PROJECT MANAGER:
DESIGNER: ARIZ
CV/STR. ENGINEER:
SURVEYED BY: -
DRAWN BY: ARIZ
CHECKED BY:
DATE: FEBRUARY 2020
SHEET NO.: /

