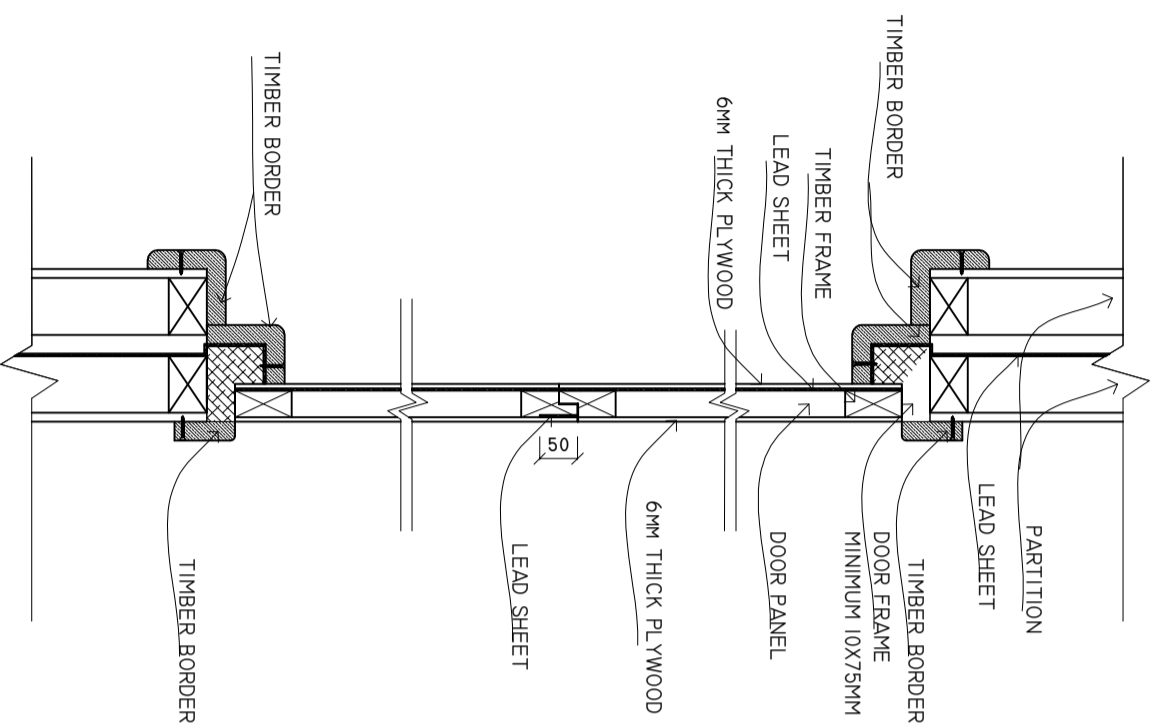


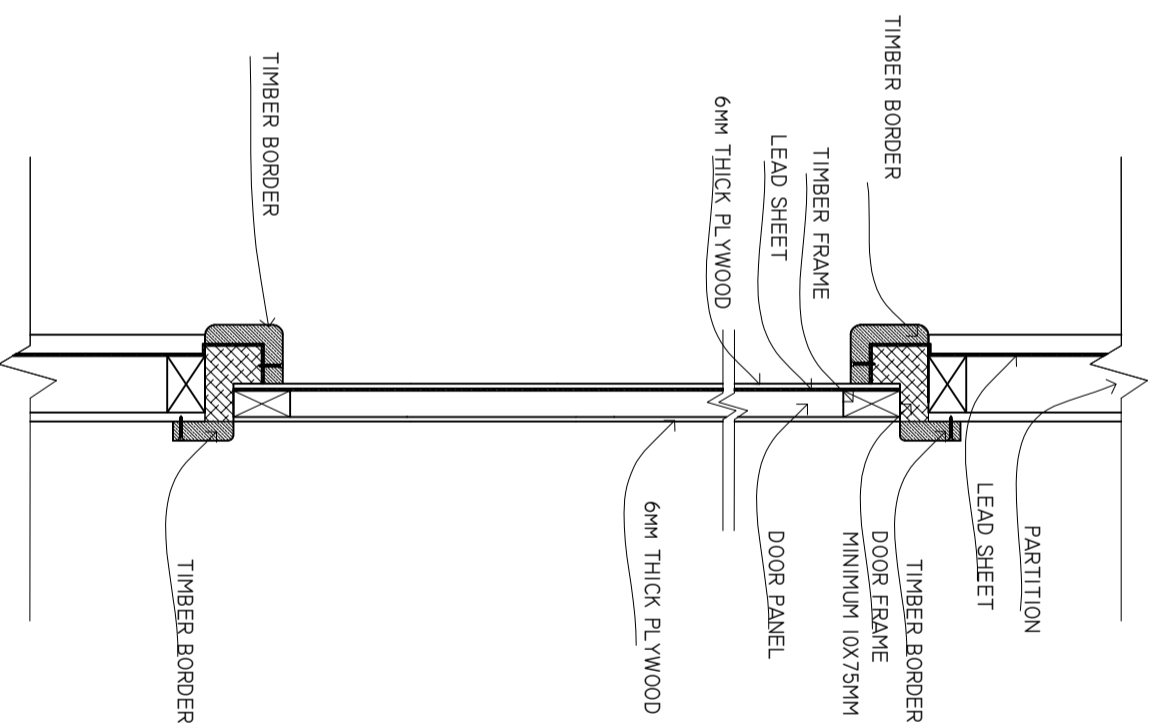
## D5 DOOR AND PANEL SECTION

SCALE: 1 : 10



## D2 & D4 DOOR AND PANEL SECTION

SCALE: 1 : 10



SHEET CONTENTS :

REVISION NOTES:

PROJECT:  
RENOVATION OF  
RADIOLOGY  
DEPARTMENT AT R.  
UGOOFAARU REGIONAL  
HOSPITAL

CLIENT:  
MINISTRY OF HEALTH

LOCATION:  
R. UGOOFAARU

CONTENTS: AS GIVEN

PROJECT MANAGER:

DESIGNER: ARIZ

CV/STR. ENGINEER:

SURVEYED BY: -

DRAWN BY: ARIZ

CHECKED BY:

DATE : FEBRUARY 2020

SHEET NO. : /

