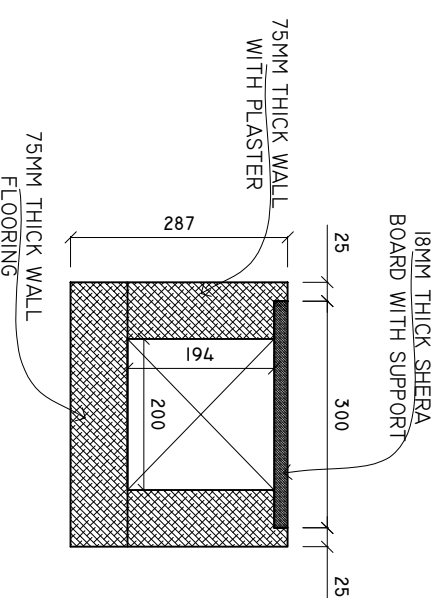


TRENCH DETAIL

SCALE: 1 : 10



NOTE: ALL THE INTERNAL SURFACE TO BE APPLIED WITH WATERPROOFING COATING. WATERPROOFING COATING TO BE APPROVED BY CLIENT BEFORE APPLYING.

SHEET CONTENTS :

REVISION NOTES:

PROJECT:
 RENOVATION OF
 RADIOLOGY
 DEPARTMENT AT R.
 UGOOFAARU REGIONAL
 HOSPITAL

CLIENT:

MINISTRY OF HEALTH

LOCATION:
 R. UGOOFAARU

CONTENTS: AS GIVEN

PROJECT MANAGER:

DESIGNER: ARIZ

CIV/STR. ENGINEER:

SURVEYED BY: - ARIZ

DRAWN BY: ARIZ

CHECKED BY:

DATE : FEBRUARY 2020

SHEET NO. : /

