

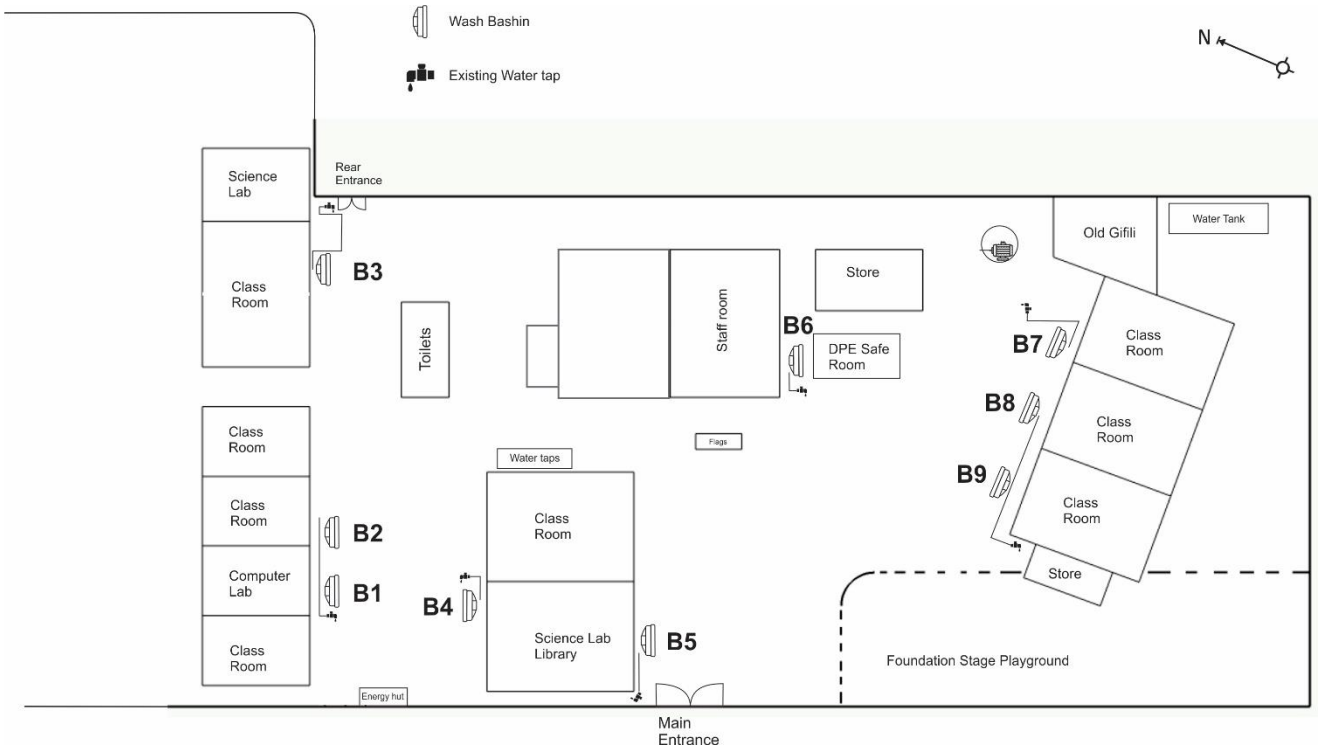


1.7	<p>1.7</p> <p>1.7</p> <p>1.7</p>
1.8	<p>1.8</p> <p>1.8</p> <p>1.8</p>
1.9	<p>1.9</p> <p>1.9</p> <p>1.9</p>
1.10	<p>1.10</p> <p>1.10</p> <p>1.10</p>

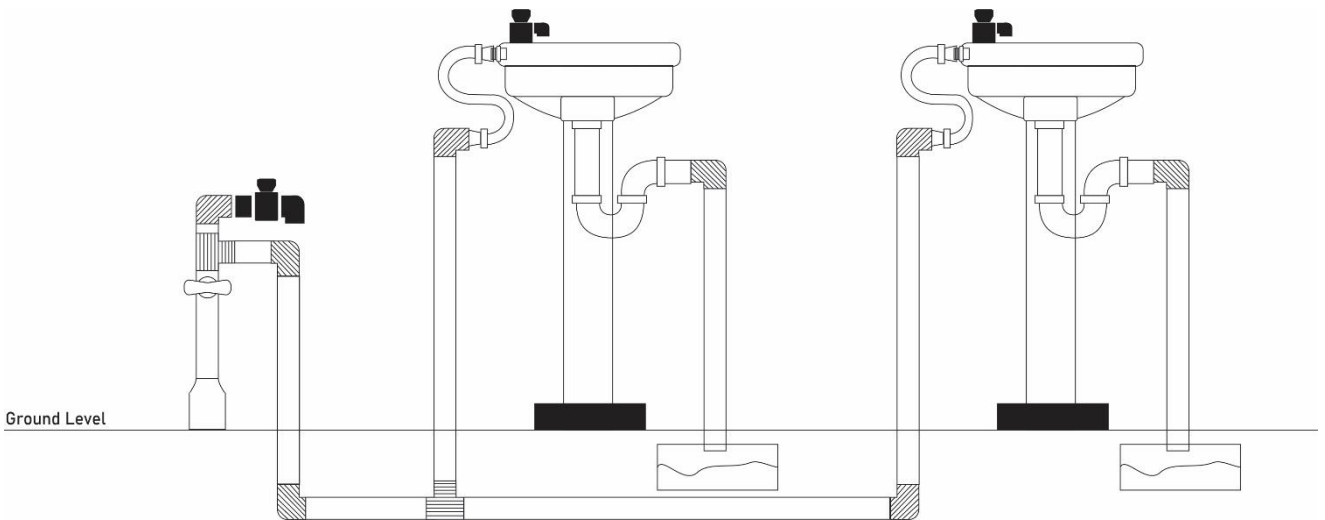
2009-2010 2010-2011

1. 9

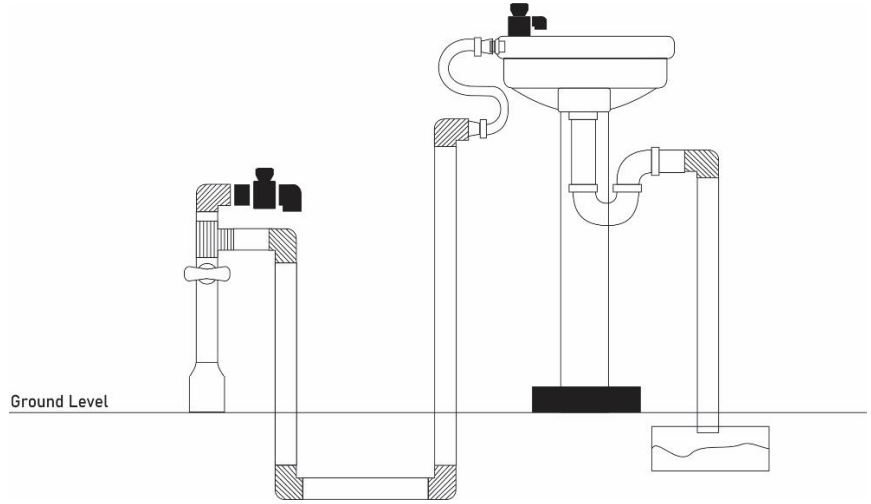
- 9 3 6
- 9 3 6
- 12 12 12
- B3



مدرسه اولیگاموس (مختار B1 مختار B2 مختار B8 مختار B9)





- |                |                      |                 |   |
|----------------|----------------------|-----------------|---|
| 1/2" PVC T     | Water Tap            | Water Tap Hose  | Cement Base<br>(12"x12"x2" thick)             |
| 1/2" PVC Elbow | Male Threaded Socket | Waste Plug Hose | Waste Water Tank<br>(Plastic Jerry Can 20ltr) |




 1/2" PVC T

 Water Tap

 Water Tap Hose

 Cement Base  
(12"x12"x2" thick)

 1/2" PVC Elbow

 Male Threaded Socket

 Waste Plug Hose

 Waste Water Tank  
(Plastic Jerry Can 20ltr)

1 1 1

1. 1 1 1			
1.1	1 1 1		
1.2	1 1 1		
2. 1 1 1			
2.1	1 1 1		
2.2	1 1 1		
3. 1 1 1			
	1 1 1	1 1 1	1 1 1
	1 1 1	6 1 1	1 1 1
	1 1 1	9 1 1	1 1 1
	1 1 1	6 1 1	1 1 1
	1 1 1	46 1 1	1 1 1
		1 1 1	
		1 1 1	
3.2	1 1 1	1 1 1	
3.3	1 1 1	2020 1 1 1 29 1 1 1	
4. 1 1 1			
4.1	1 1 1		
4.2	1 1 1		
4.3	1 1 1		
5. 1 1 1			
	1 1 1		
	1 1 1		
	1 1 1		
	1 1 1		