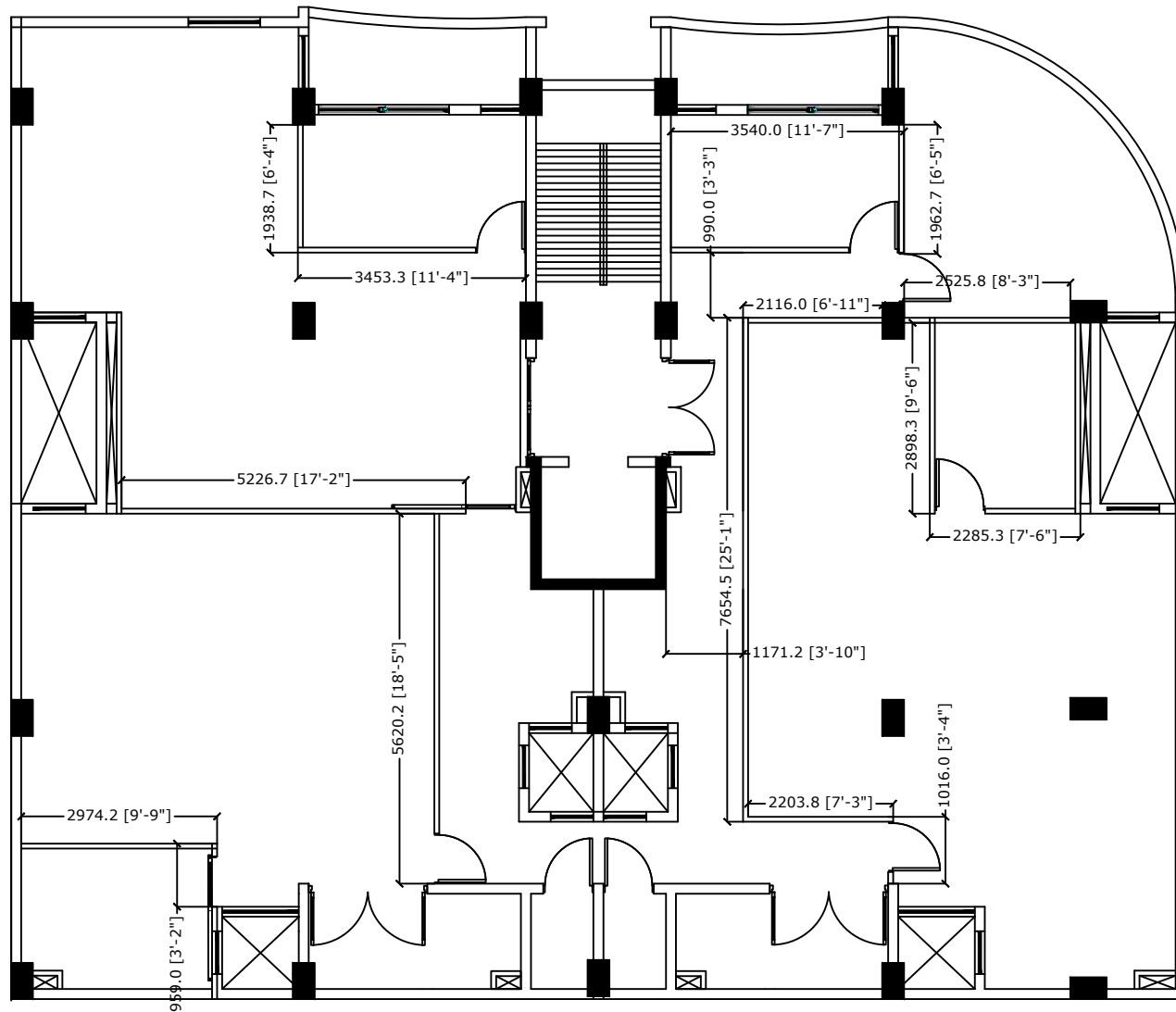


Anti-Corruption Commission (Sakeena Manzil)

Schedule 2-New Partitions

6TH Floor (Investigation)

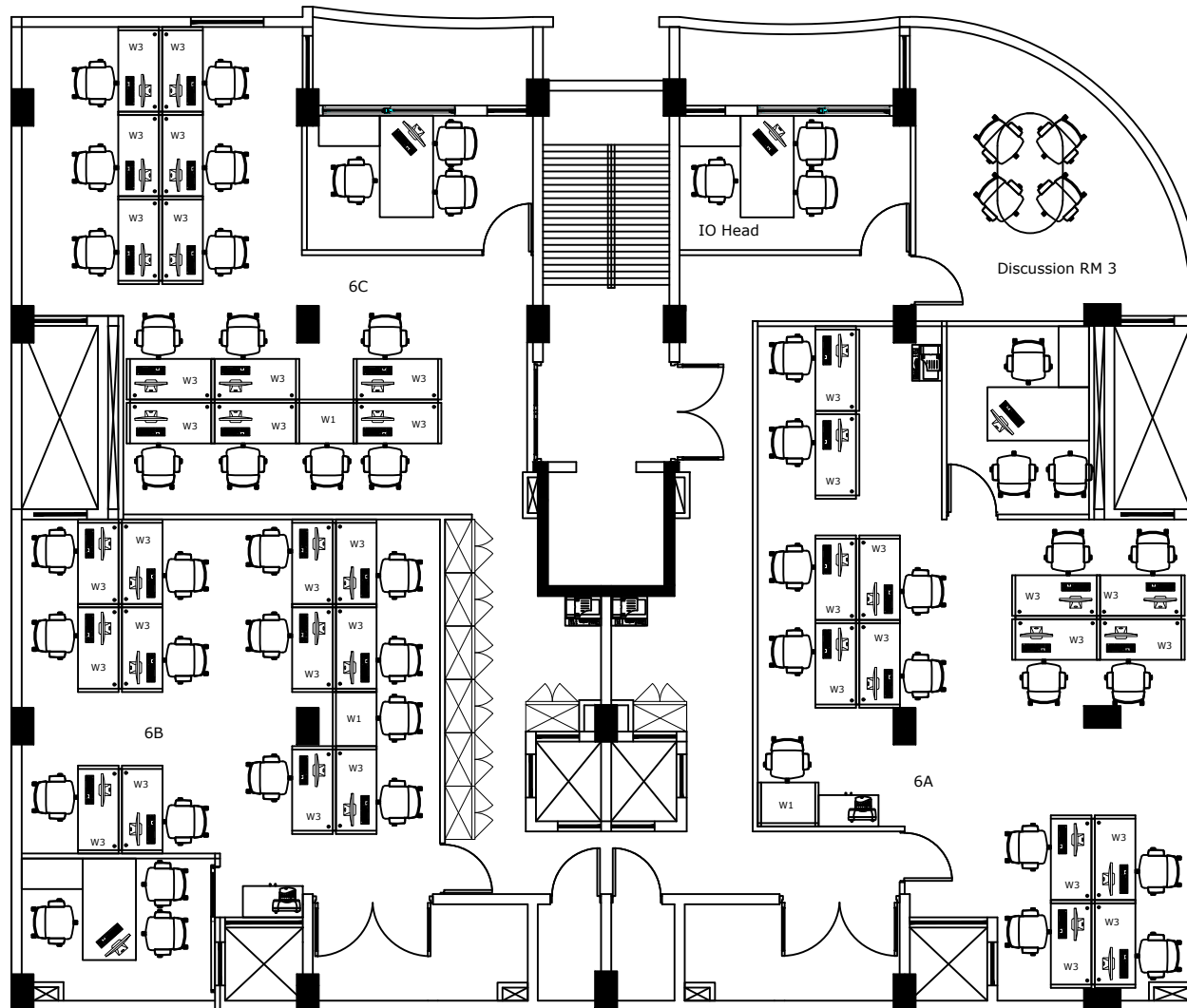


— New Glass Partition to be made

Anti-Corruption Commission (Sakeena Manzil)

Schedule 3-Workstation

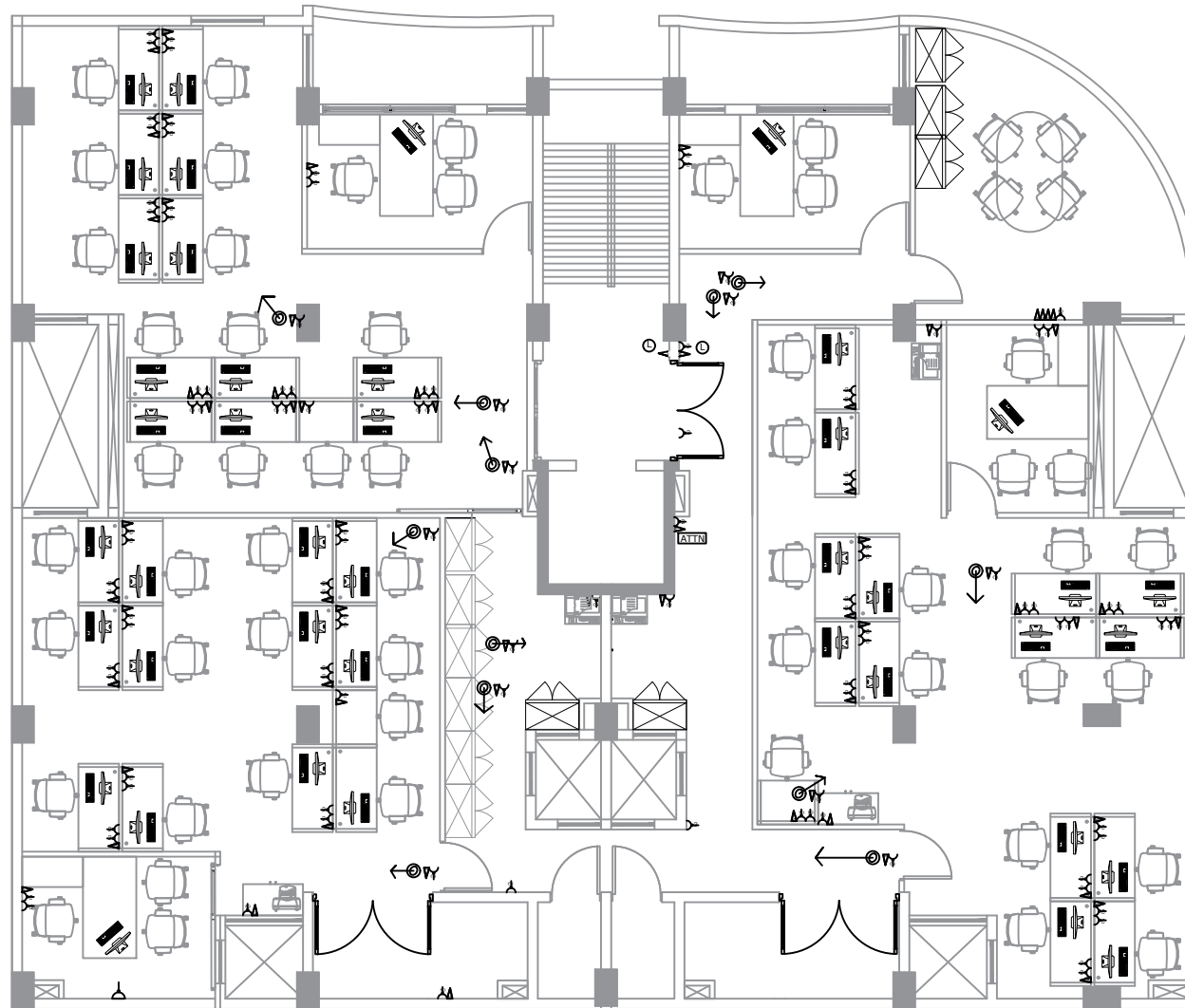
6TH Floor (Investigation)

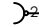


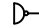





Anti-Corruption Commission (Sakeena Manzil)

Schedule 4-Electric & Networking

6TH Floor (Investigation)

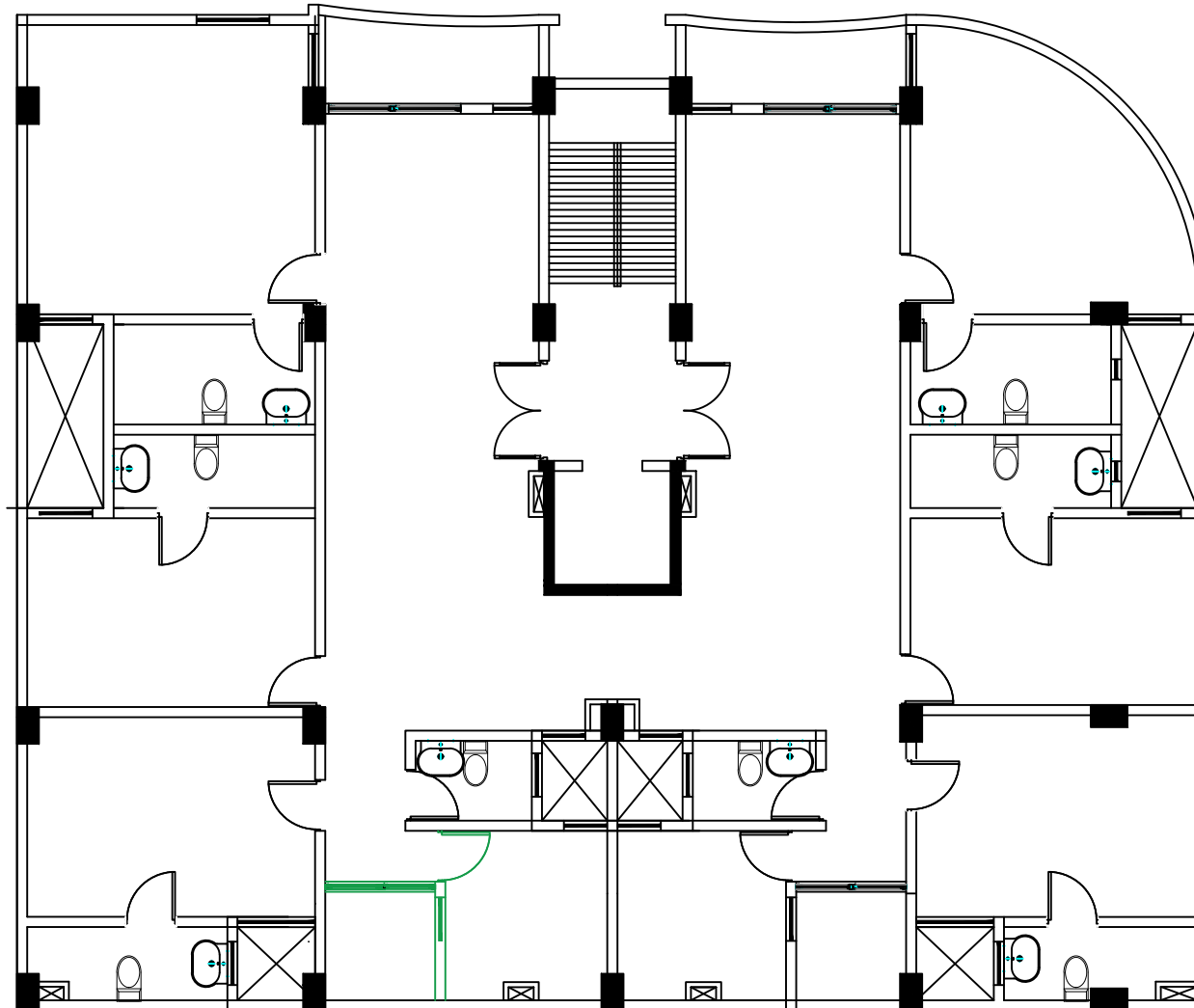


- | | | | | | |
|---|-------------------------|---|--------|---|------------|
|  | DOUBLE SWITCHED SOCKET |  | Bell |  | Lock |
|  | SINGLE AC SWITCH SOCKET |  | Camera |  | Attendance |
|  | CAT 5 or 6 DATA SOCKET | | | | |

Anti-Corruption Commission (Sakeena Manzil)

Schedule 1-Partitions/Walls to be removed

8TH Floor (Members Rooms, Members Meeting Room and Bureau)

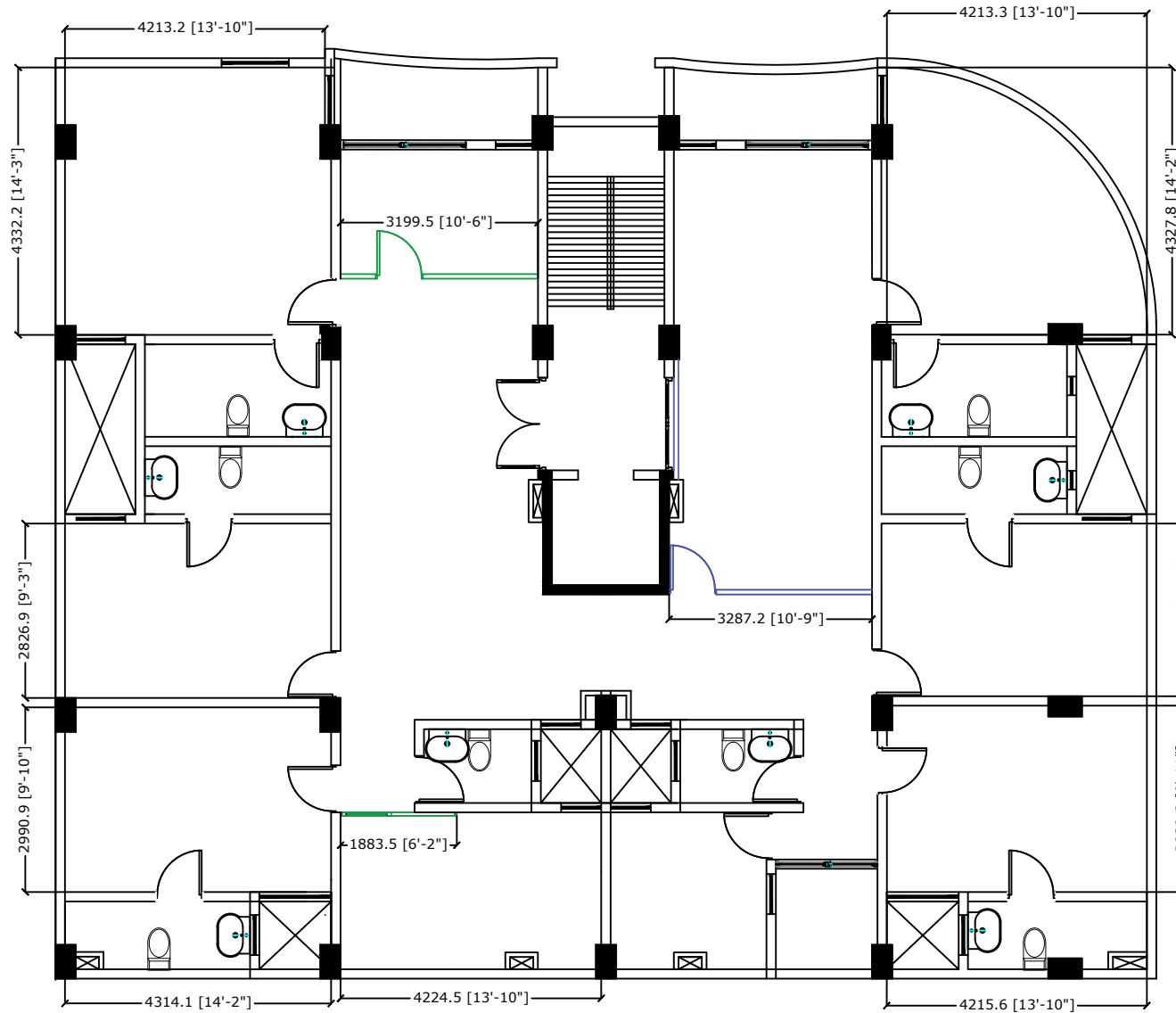


— Existing Partition/wall To be Removed or moved

Anti-Corruption Commission (Sakeena Manzil)

Schedule 2-New Partitions

8TH Floor (Members Rooms, Members Meeting Room and Bureau)

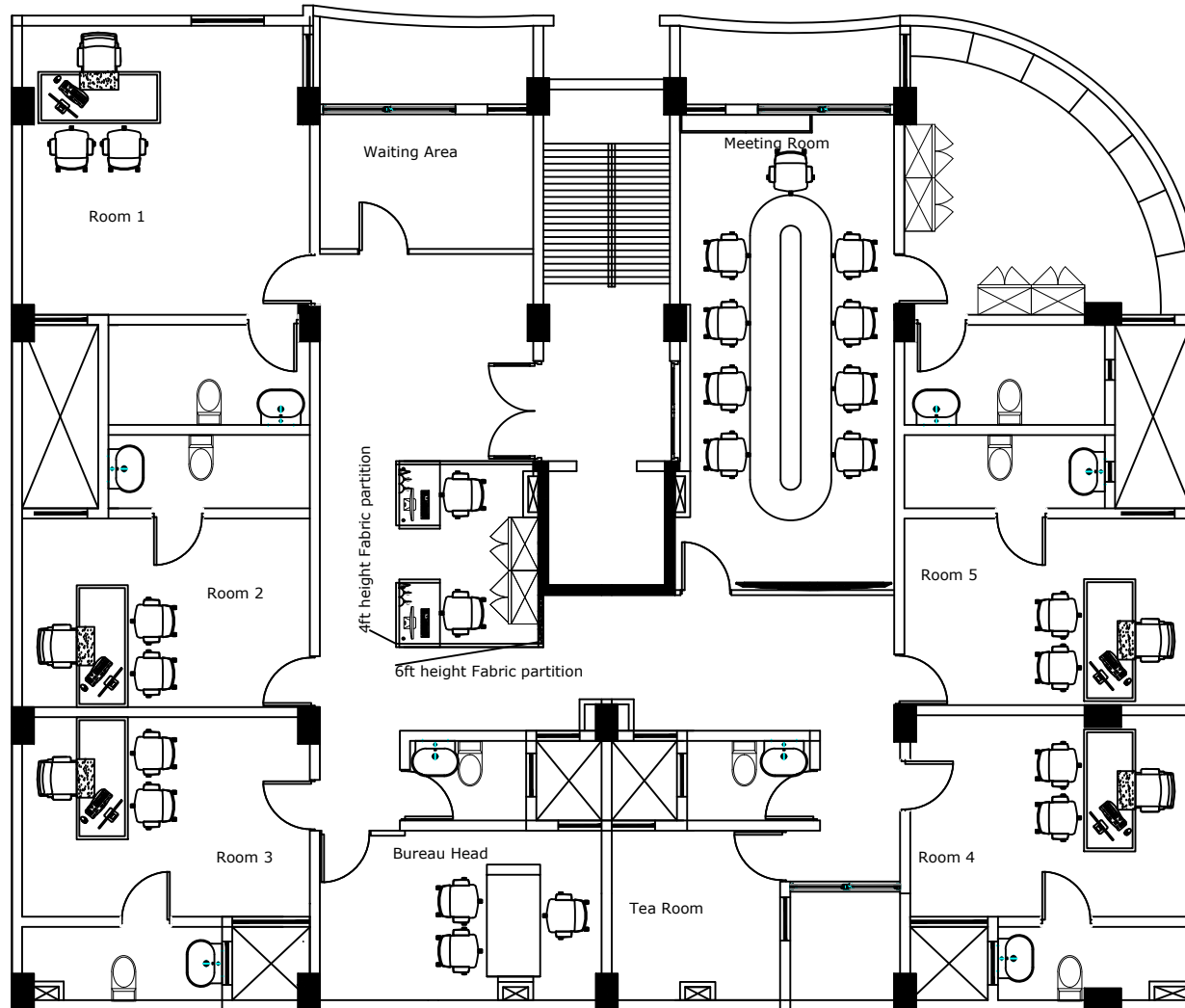


- New Glass Partition to be made
- New Gypsum Partition to be made

Anti-Corruption Commission (Sakeena Manzil)

Schedule 3-Workstation

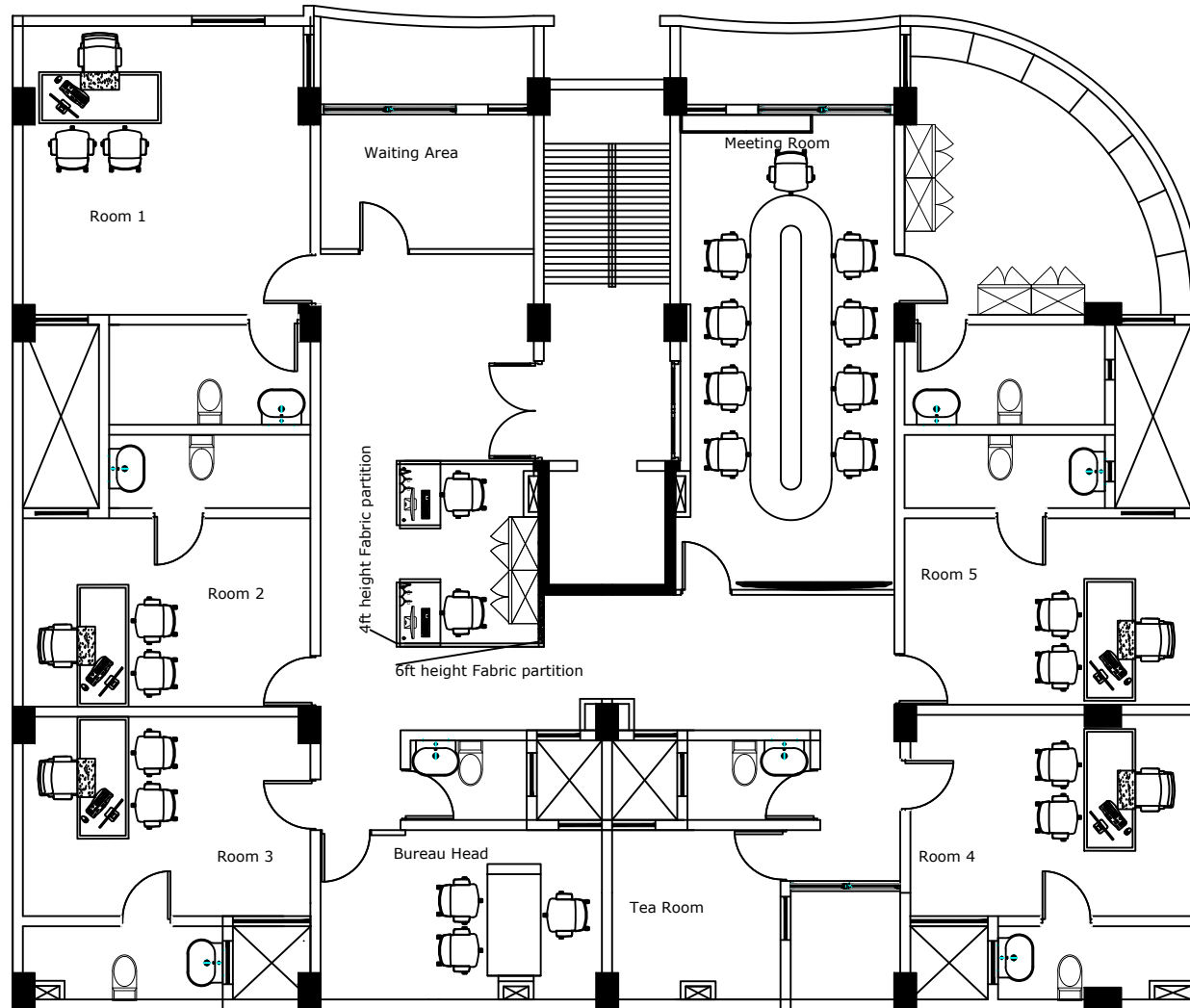
8TH Floor (Members Rooms, Members Meeting Room and Bureau)



Anti-Corruption Commission (Sakeena Manzil)

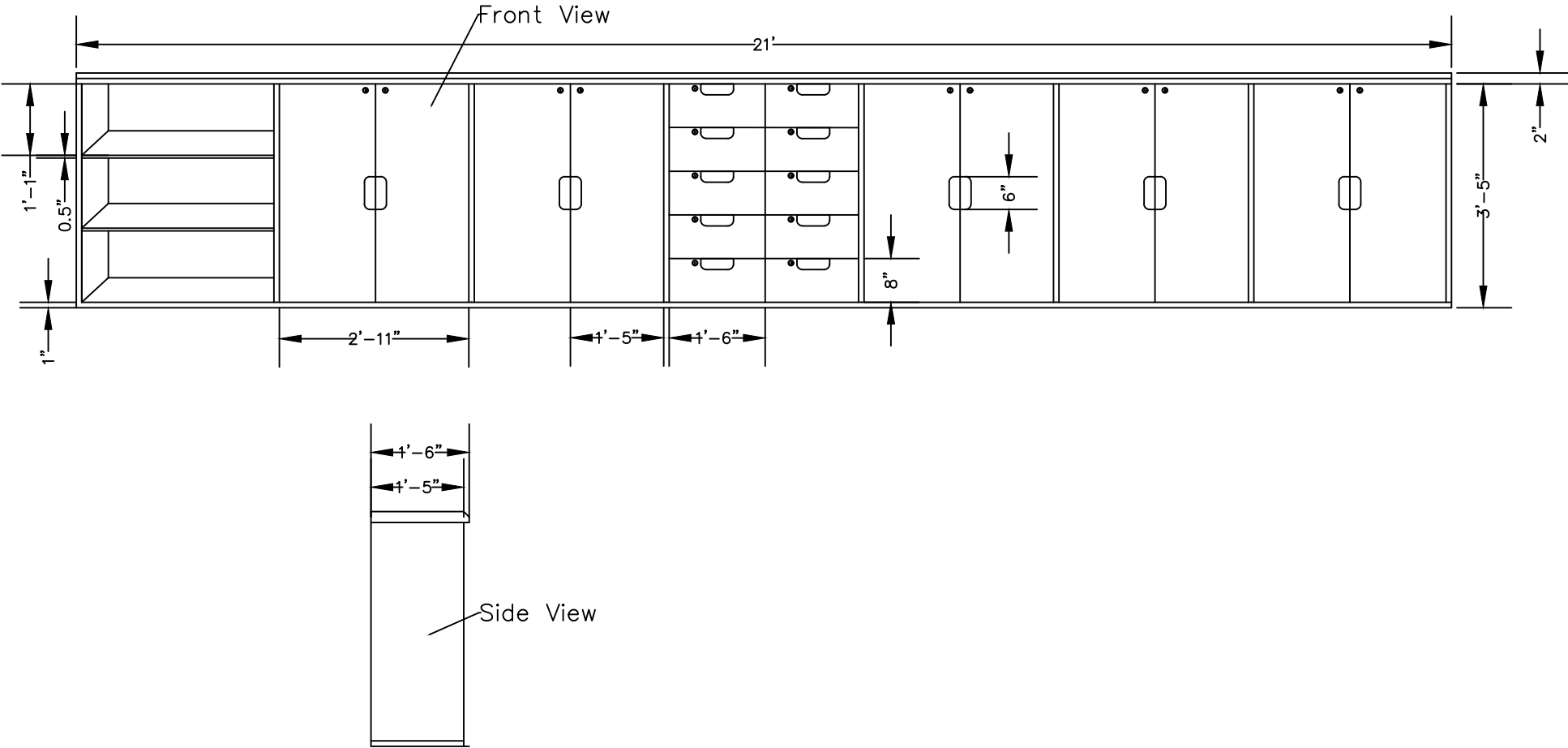
Schedule 4-Electric & Networking

8TH Floor (Members Rooms, Members Meeting Room and Bureau)



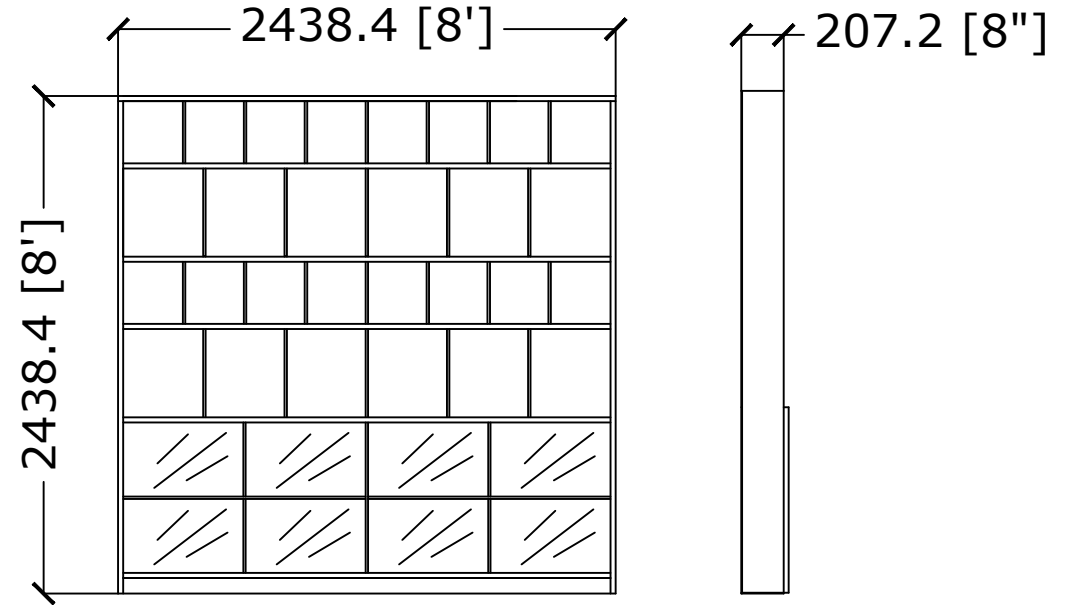
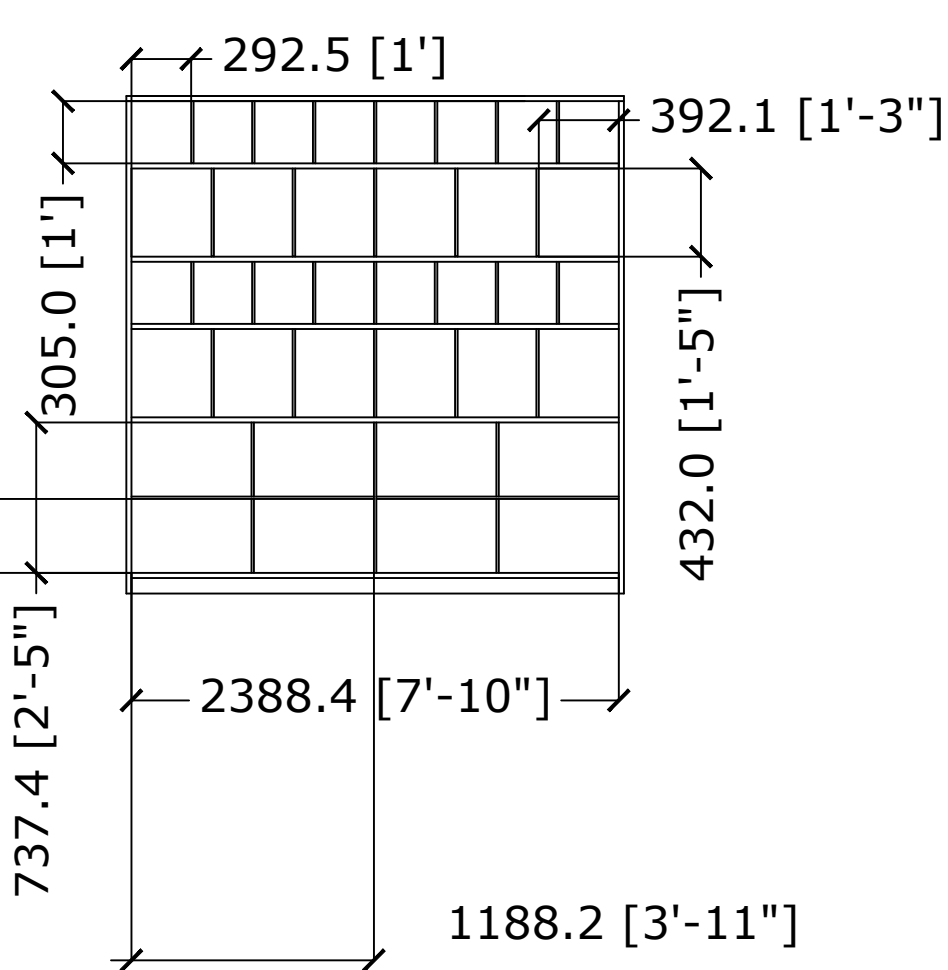
Anti-Corruption Commission (Sakeena Manzil)

8th Floor Discussion Room



Anti-Corruption Commission (Sakeena Manzil)

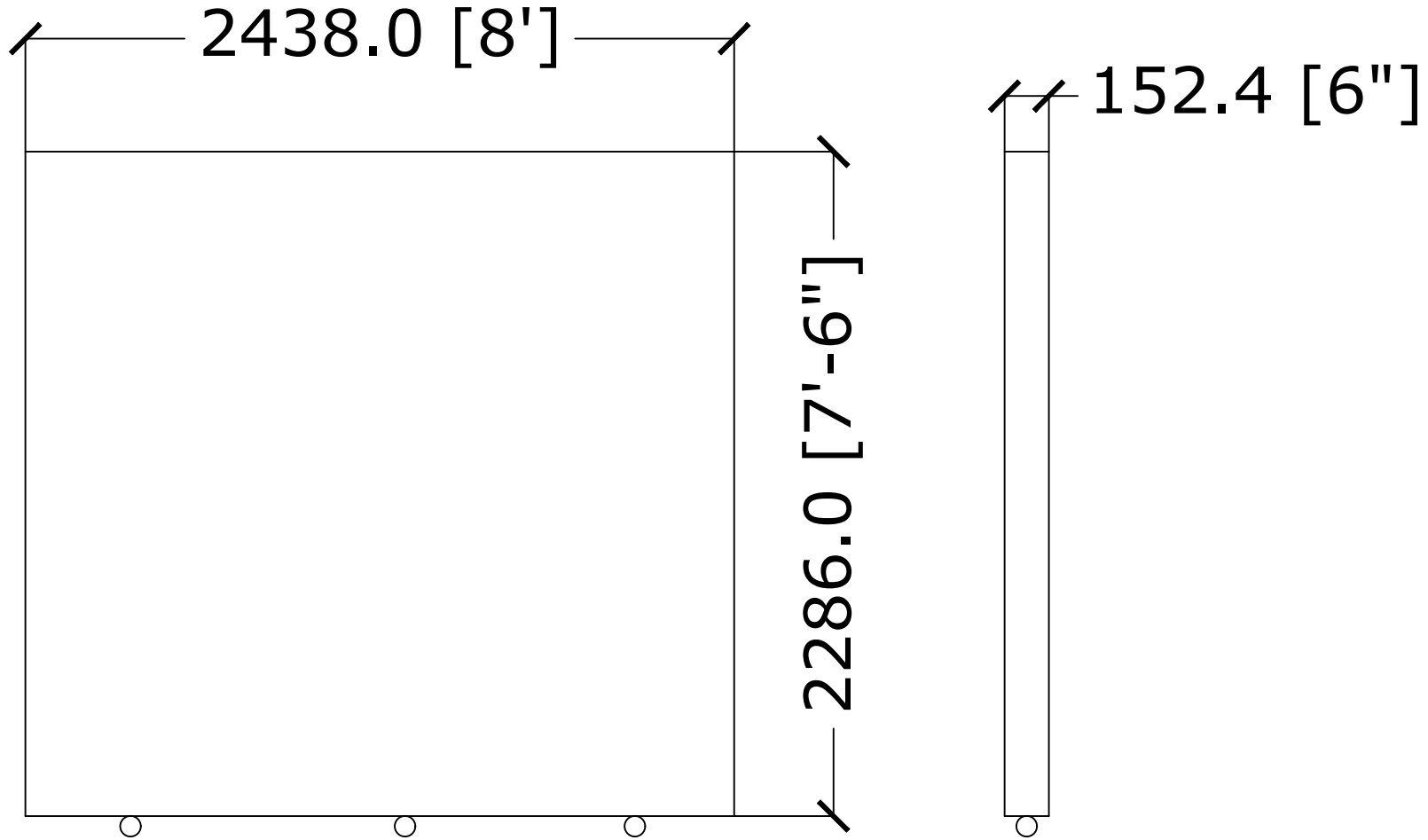
Trophy Display



Sliding glass door

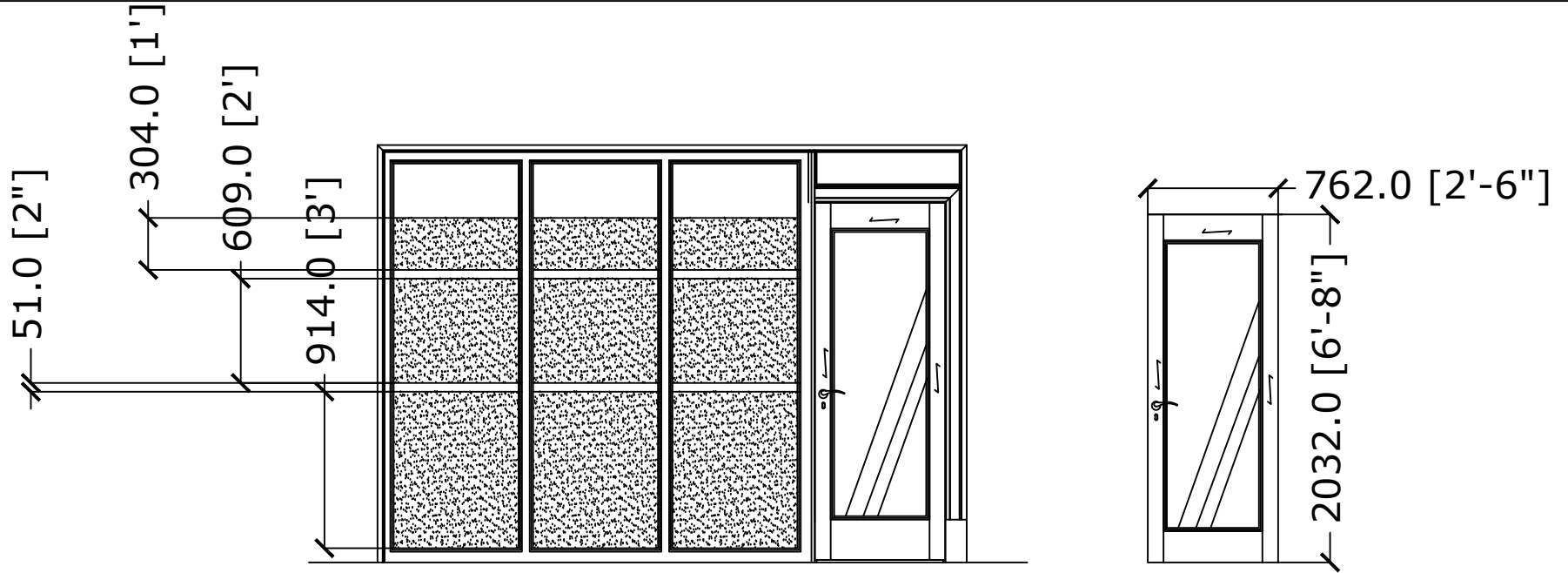
Anti-Corruption Commission (Sakeena Manzil)

8x7.5 Wall x 3

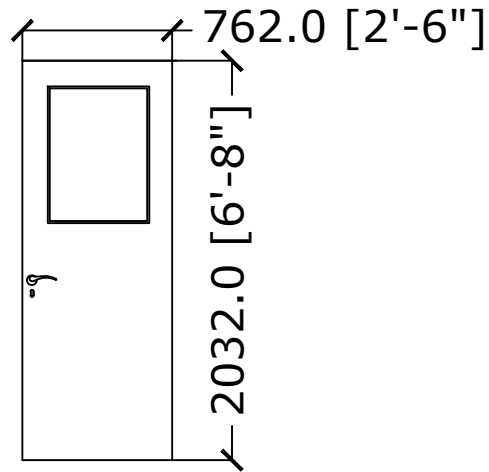


Anti-Corruption Commission (Sakeena Manzil)

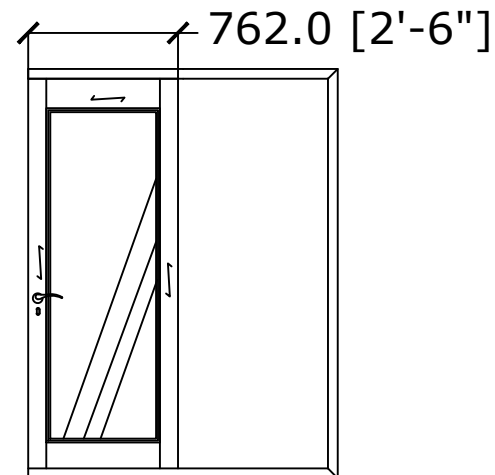
Door



D1 Hinge Door



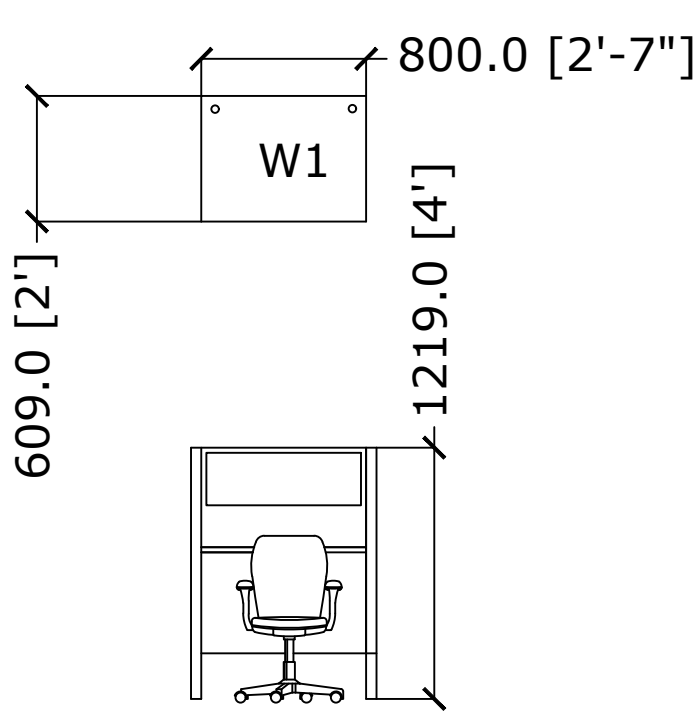
D3 Wood Hinge Door



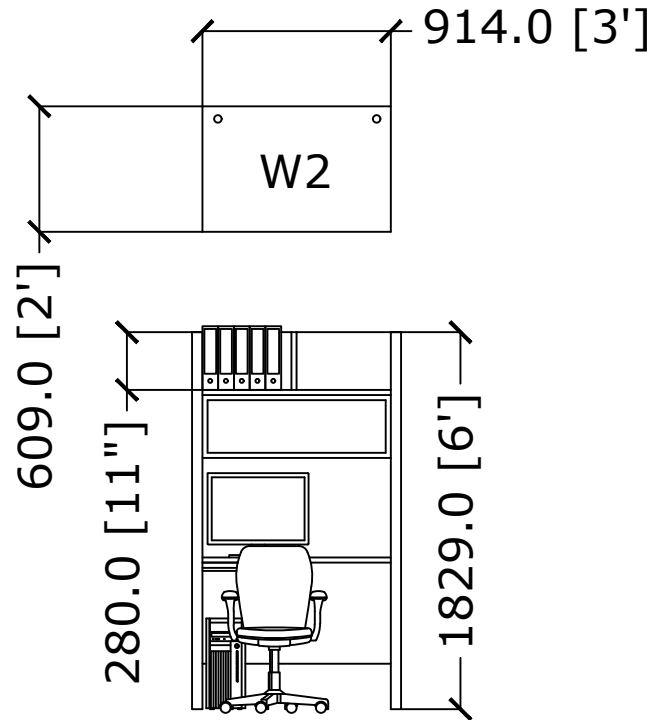
D2 Slide Door

Anti-Corruption Commission (Sakeena Manzil)

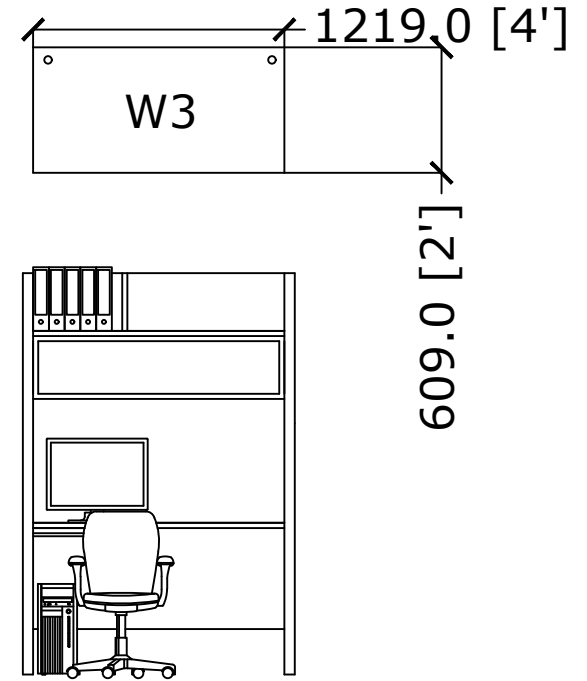
Workstation



Admin and scanner
(6th Floor)



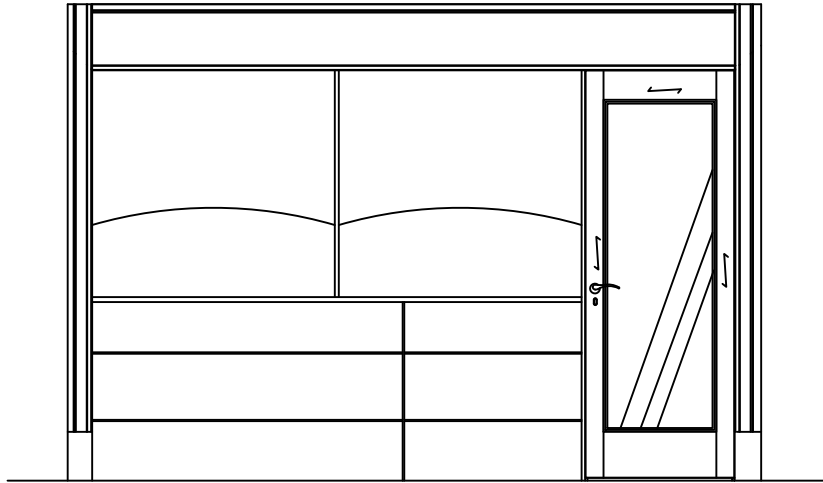
W2 Workstation
Admin (Procure),
HR, PIRU,
Registration, P&R,
E&A and Bureau



W3 Workstation
Legal, Budget, 4A,
Investigators
and IT

Anti-Corruption Commission (Sakeena Manzil)

Reception



8 ft Height

