

BLOCK-C (PRE SCHOOL BLOCK)

BLOCK-B (STAFF ROOM BLOCK)

BLOCK-A (OFFICE BLOCK)

N

HANIMAADHOO SCHOOL

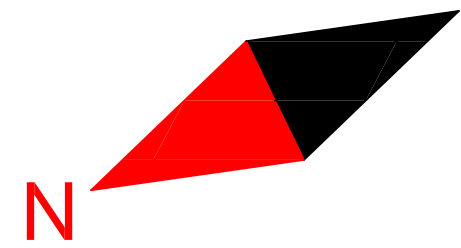
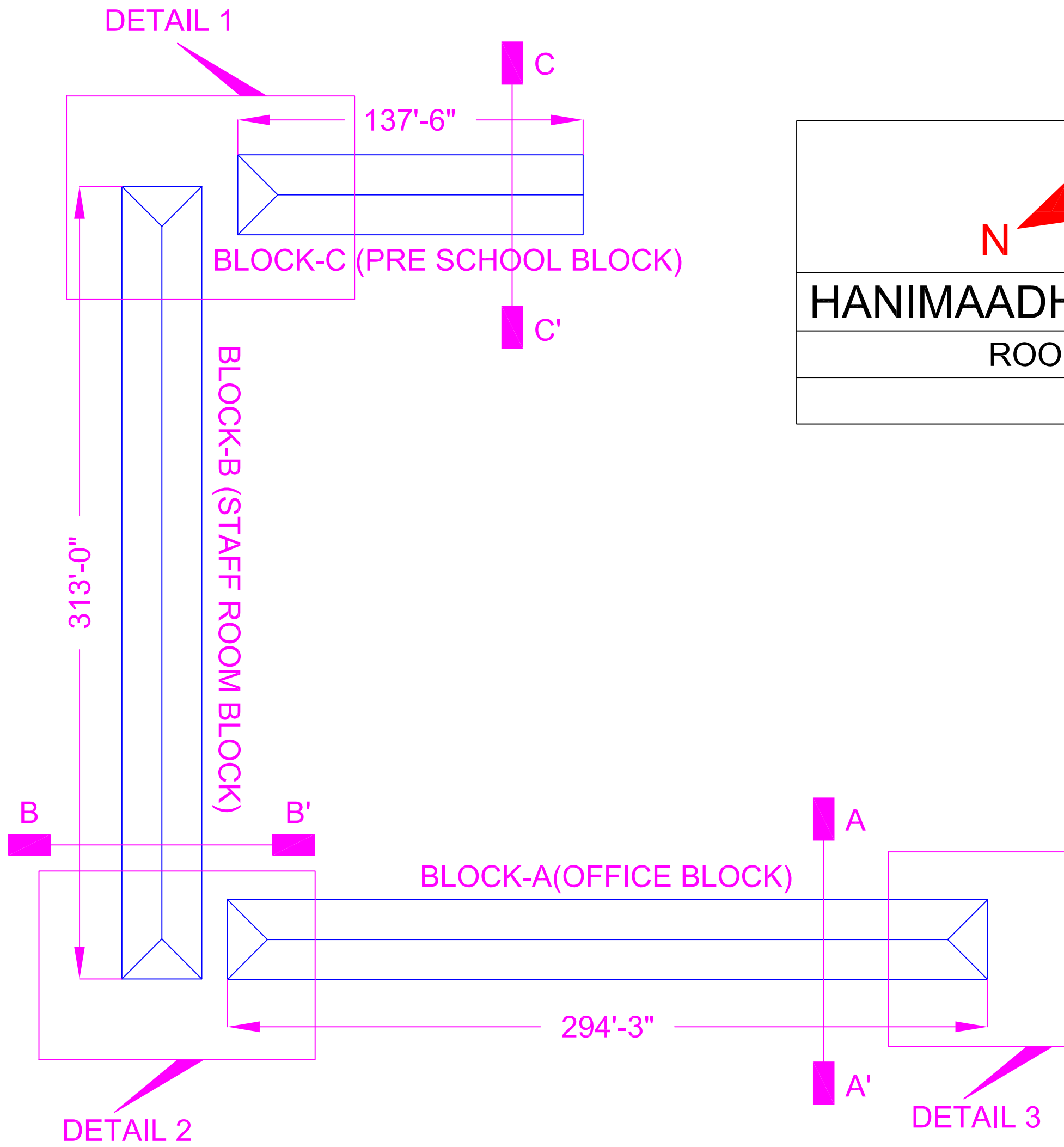
SCHOOL PLAN

SCALE: 1:500

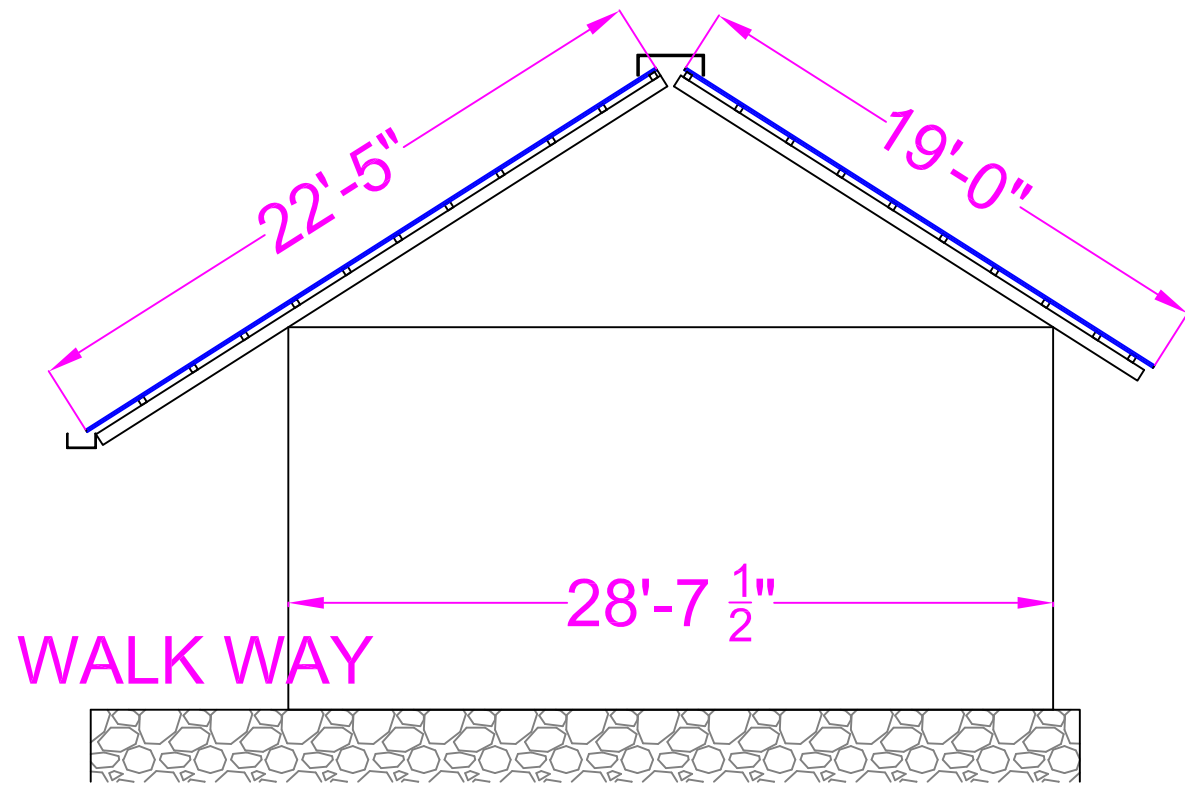
HALL

MAIN GATE

SMALL GATE

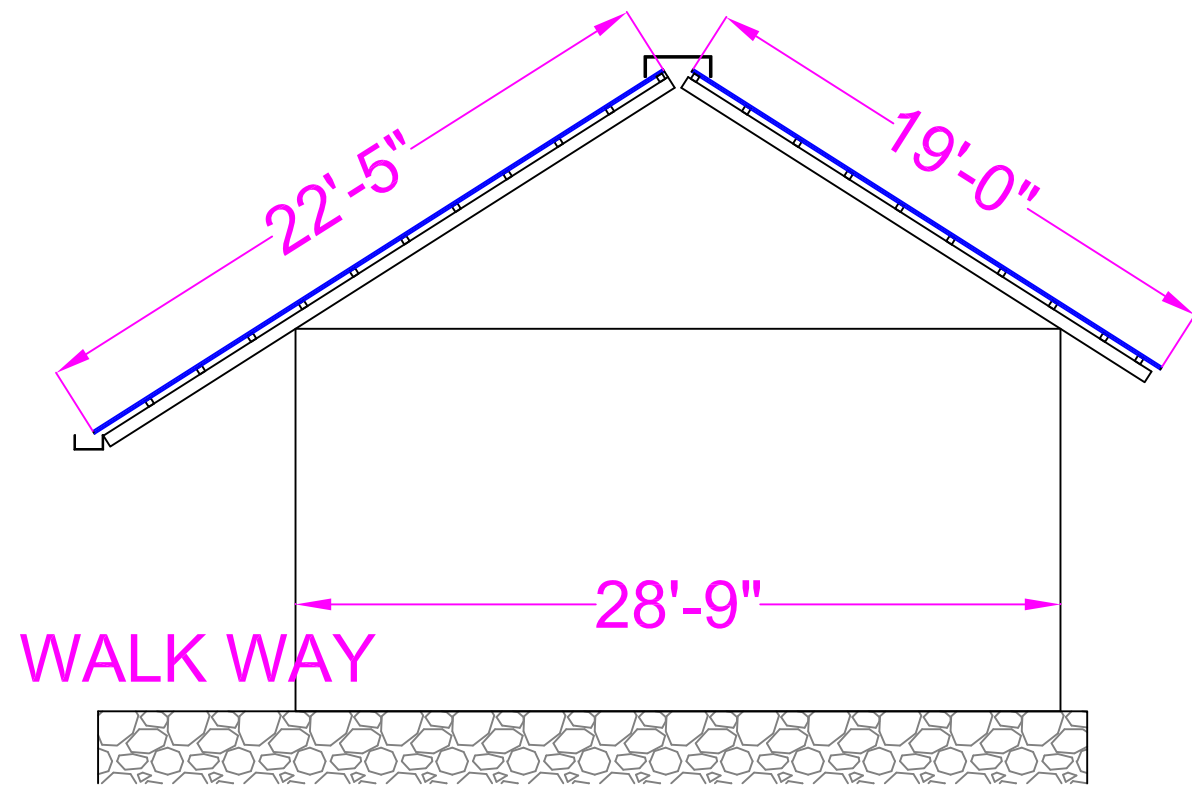


HANIMAADHOO SCHOOL
 ROOF PLAN

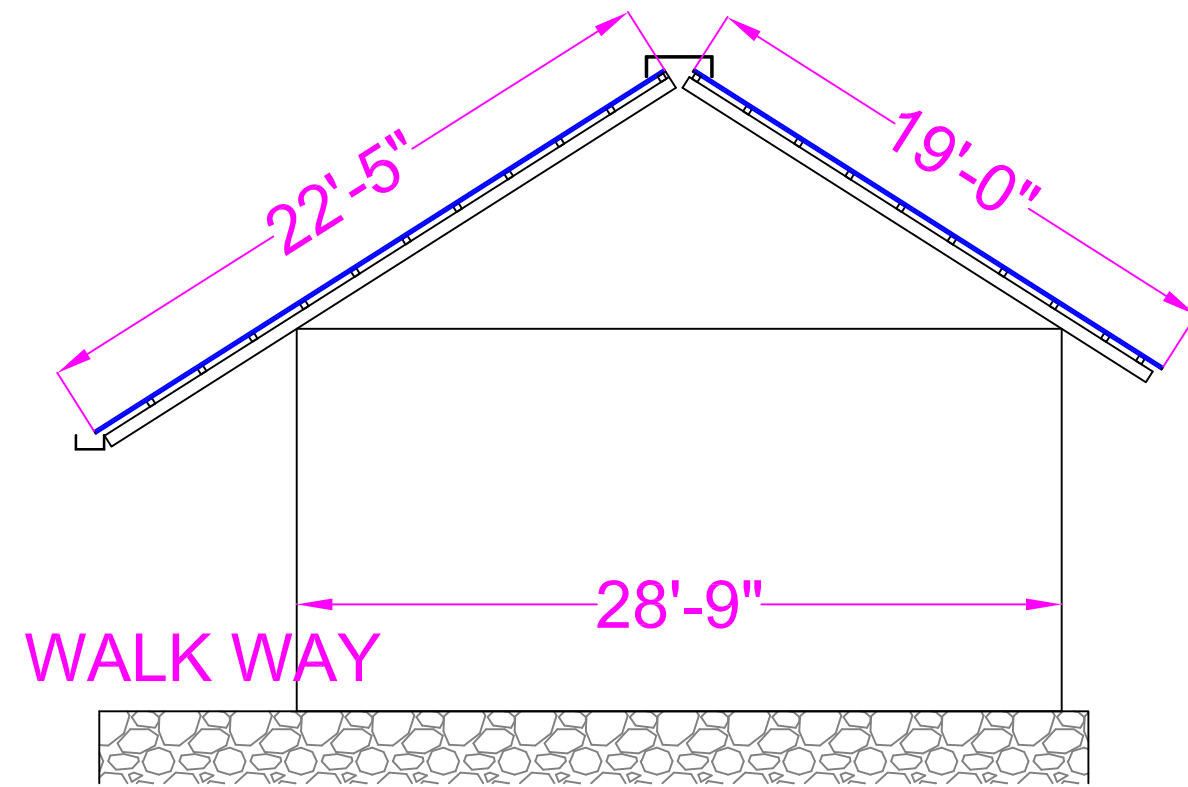


SECTION A-A'
OFFICE BLOCK

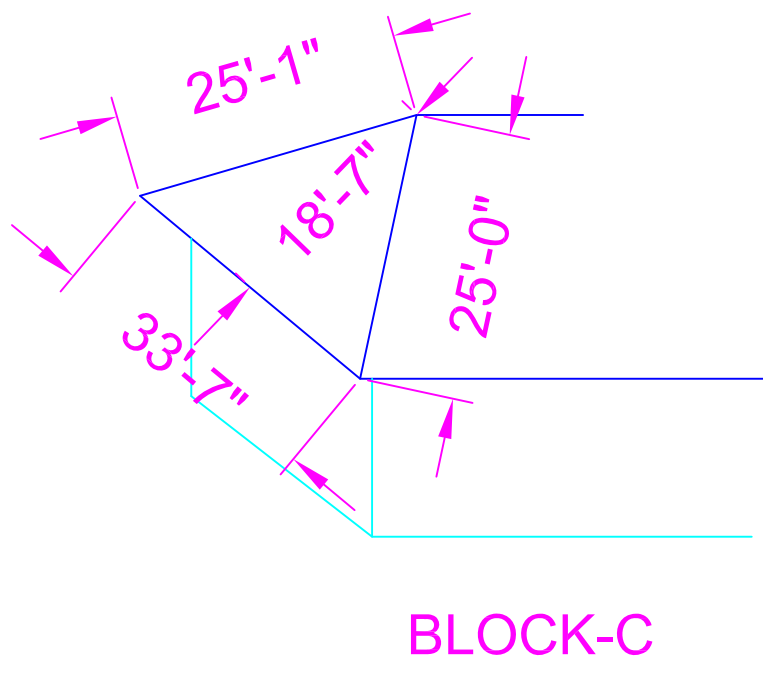
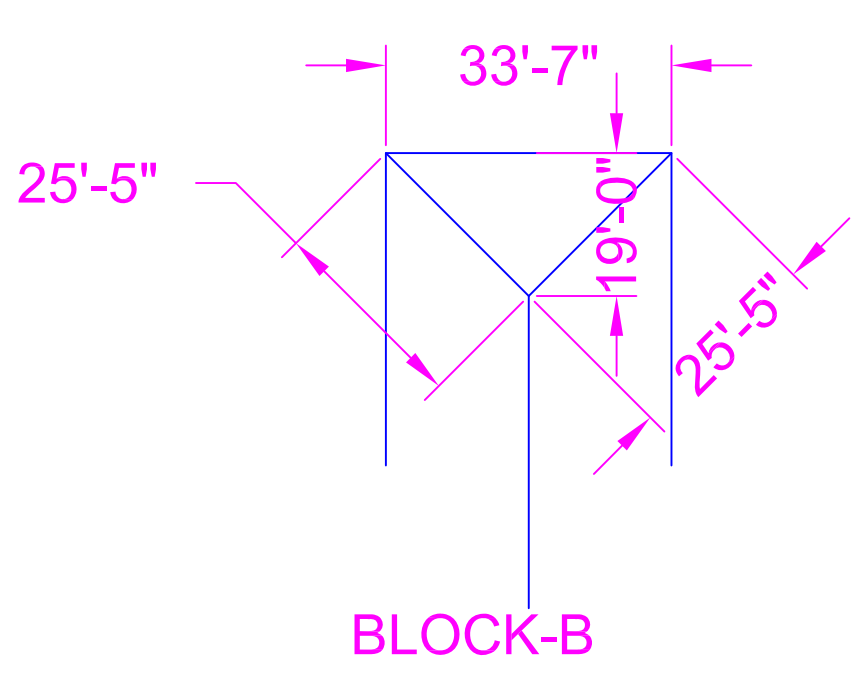
HANIMAADHOO SCHOOL
LONG SIDE ROOF DETAIL



SECTION B-B'
STAFF ROOM BLOCK

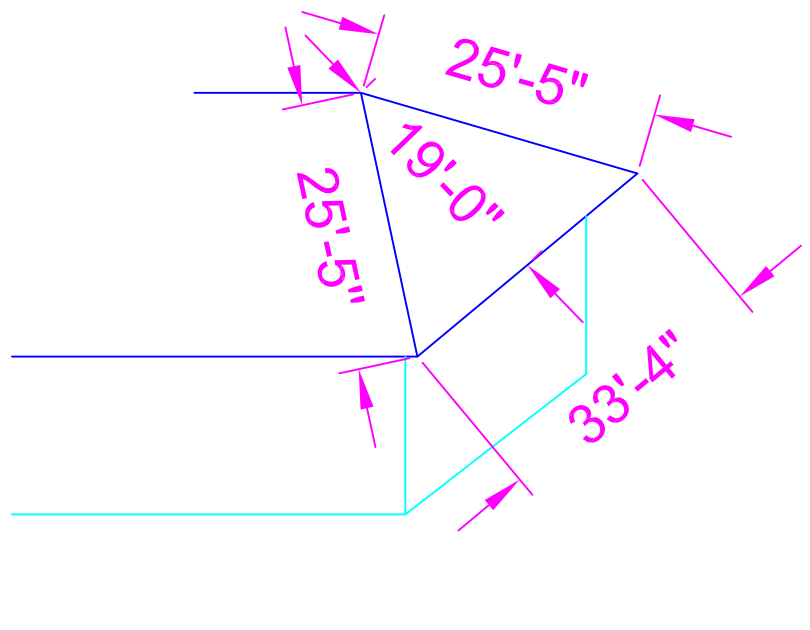
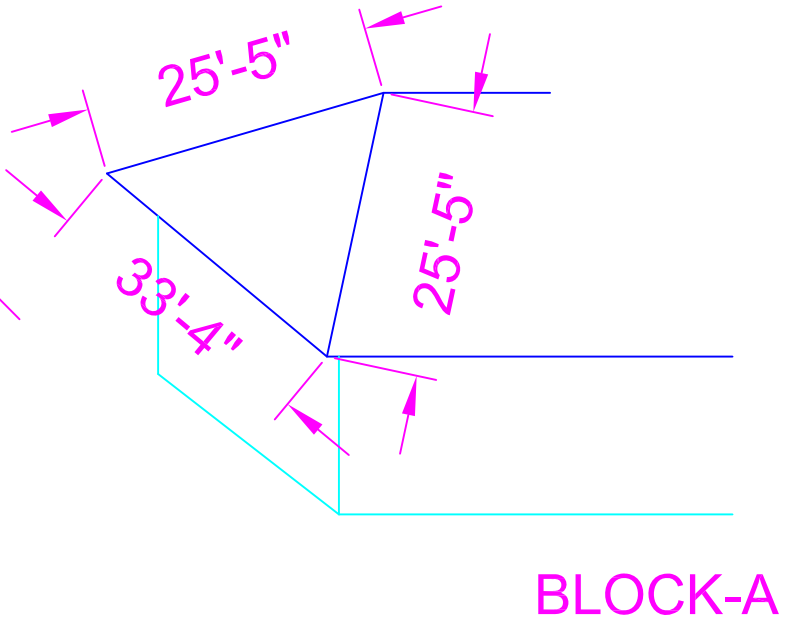
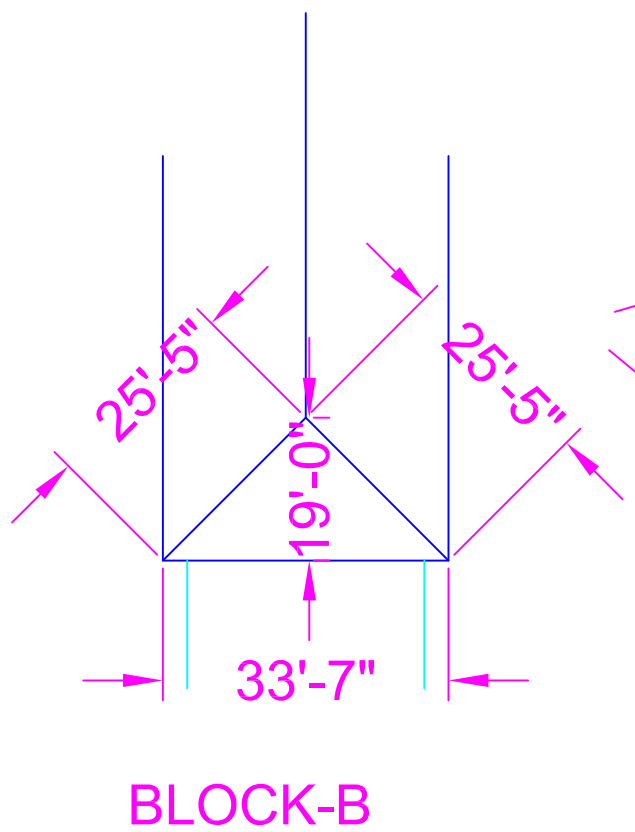


SECTION C-C'
PRE-SCHOOL BLOCK



<p>N</p>
<p>HANIMAADHOO SCHOOL</p>
<p>SHORT SIDE ROOF DETAIL</p>

DETAIL 1



DETAIL 2

DETAIL 3