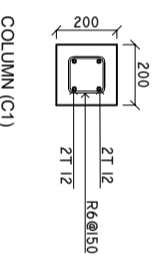
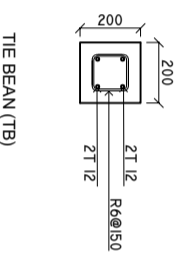
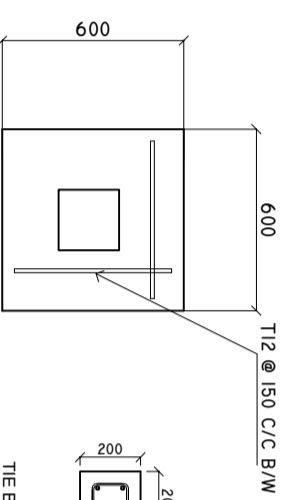
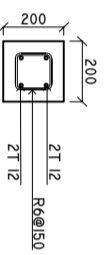
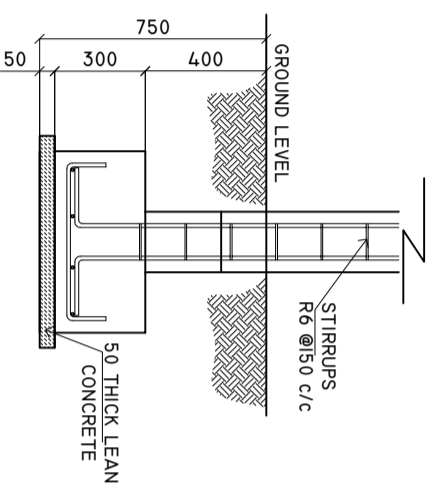


# DETAILS R/C

## SCALE: 1 : 25



**F1**



ROOF BEAM (RB)

MINIMUM 50MM COVER BELOW GROUND LEVEL	ALL BAR BENDING & OVERLAPS AS PER ACTUAL BS STANDARD.
MINIMUM 30MM COVER ABOVE GROUND LEVEL	

NOTE:  
LINTEL BEAMS TO BE LAID ABOVE AND BELOW ALL WINDOWS AND ALL DOORS.

SHEET CONTENTS :

REVISION NOTES:

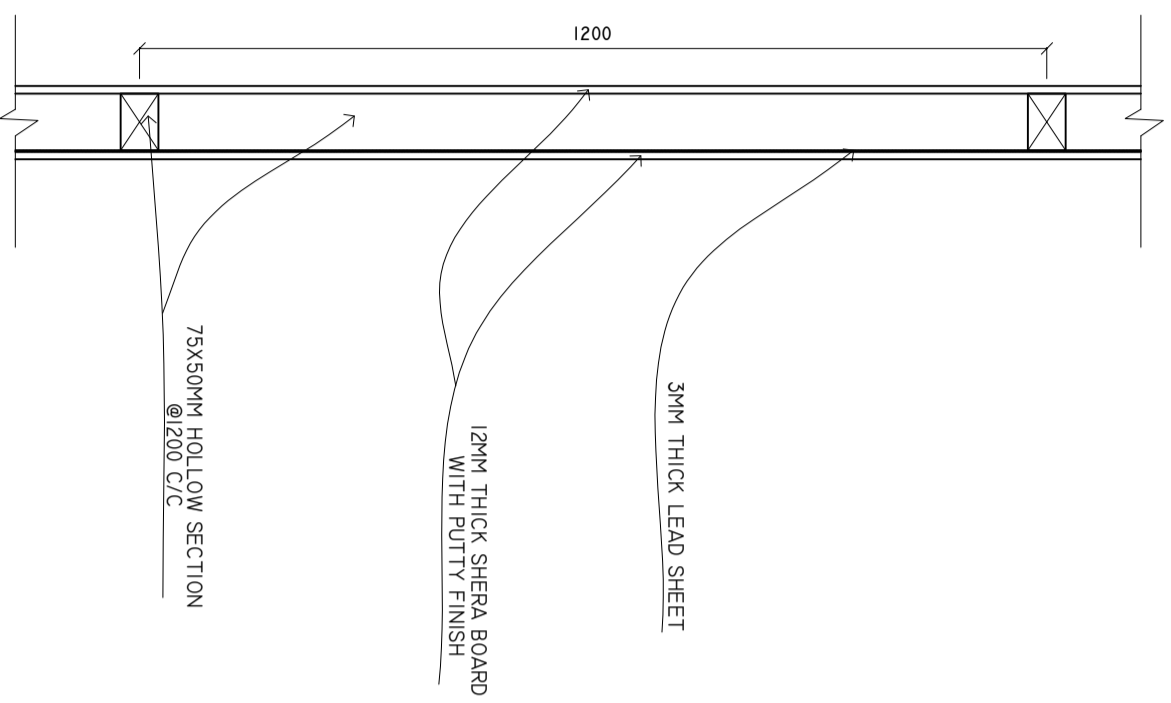
PROJECT:  
RENOVATION OF  
RADIOLOGY  
DEPARTMENT AT R.  
UGOOFAARU REGIONAL  
HOSPITAL

CLIENT:  
MINISTRY OF HEALTH  
LOCATION:  
R. UGOOFAARU

CONTENTS: AS GIVEN  
PROJECT MANAGER:  
DESIGNER: ARIZ  
CIV/STR. ENGINEER:  
SURVEYED BY: -  
DRAWN BY: ARIZ  
CHECKED BY:  
DATE : FEBRUARY 2020  
SHEET NO. : /

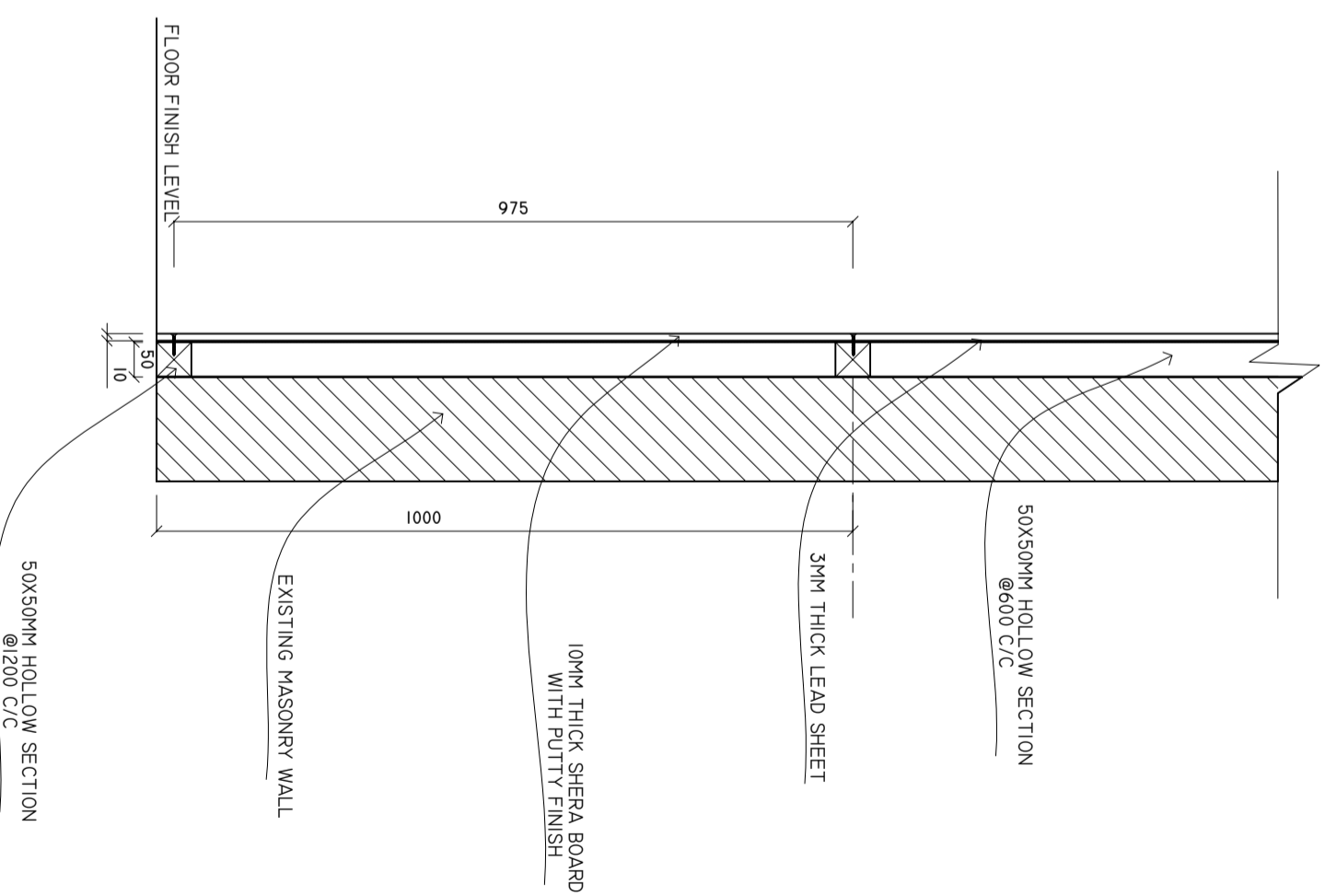
## AND PARTITION DETAILS (TYPE A)

SCALE: 1 : 10



## PARTITION DETAILS (TYPE B)

SCALE: 1 : 10



SHEET CONTENTS :

REVISION NOTES:

PROJECT:  
RENOVATION OF  
RADIOLOGY  
DEPARTMENT AT R.  
UGOOFARU REGIONAL  
HOSPITAL

CLIENT:

MINISTRY OF HEALTH

LOCATION:

R. UGOOFARU

CONTENTS: AS GIVEN

PROJECT MANAGER:

DESIGNER: ARIZ

CV/STR. ENGINEER:

SURVEYED BY: -

DRAWN BY: ARIZ

CHECKED BY:

DATE : FEBRUARY 2020

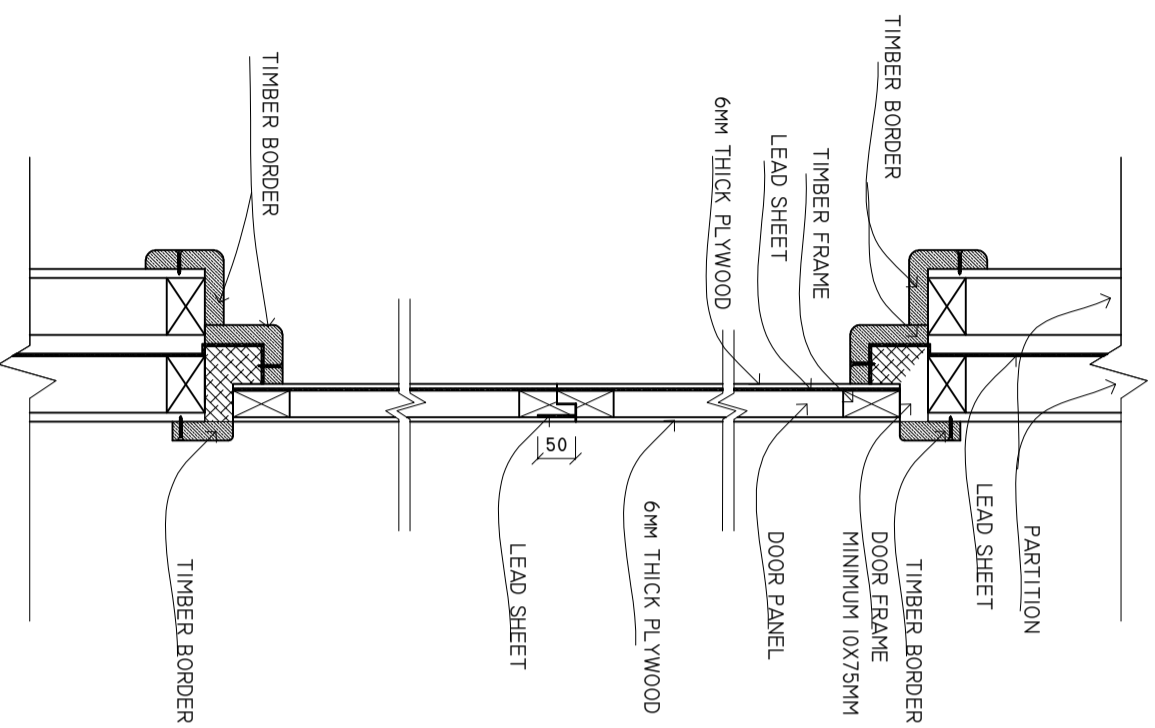
SHEET NO. : /





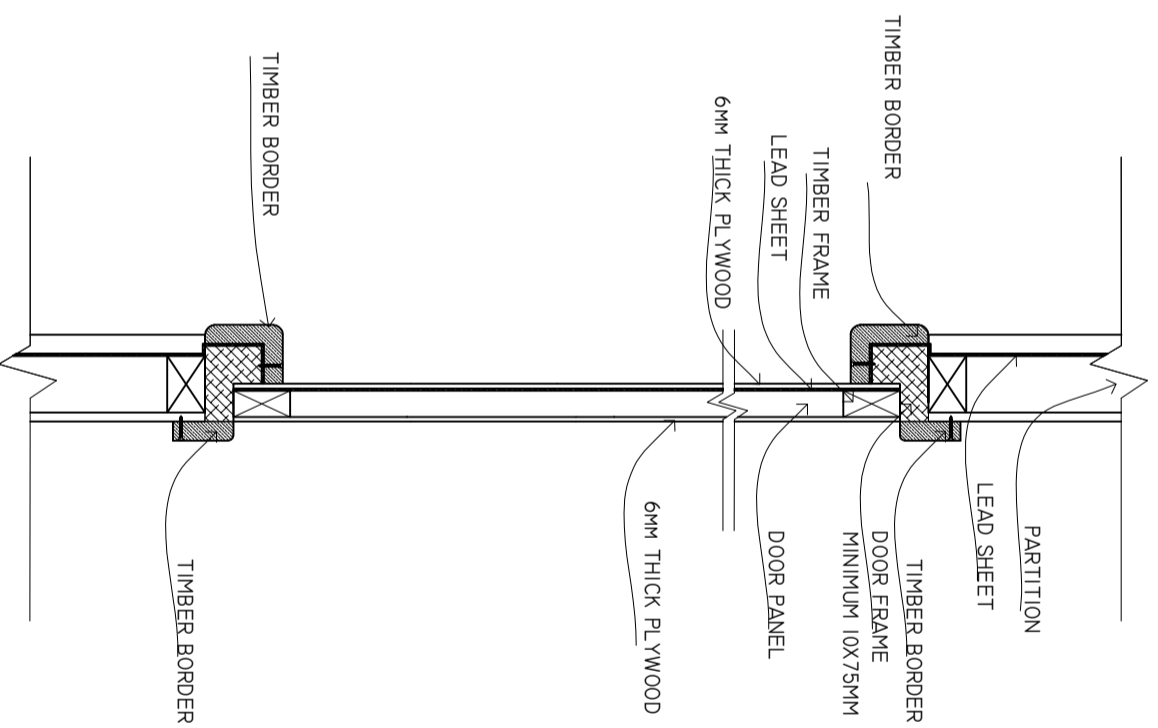
## D5 DOOR AND PANEL SECTION

SCALE: 1 : 10



## D2 & D4 DOOR AND PANEL SECTION

SCALE: 1 : 10



SHEET CONTENTS :

REVISION NOTES:

PROJECT:  
RENOVATION OF  
RADIOLOGY  
DEPARTMENT AT R.  
UGOOFAARU REGIONAL  
HOSPITAL

CLIENT:  
MINISTRY OF HEALTH

LOCATION:  
R. UGOOFAARU

CONTENTS: AS GIVEN

PROJECT MANAGER:

DESIGNER: ARIZ

CV/STR. ENGINEER:

SURVEYED BY: -

DRAWN BY: ARIZ

CHECKED BY:

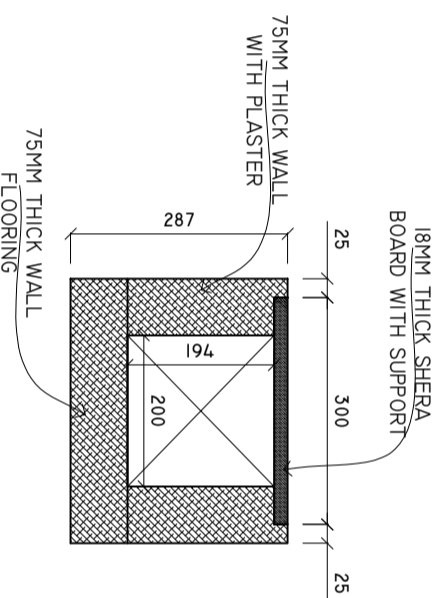
DATE : FEBRUARY 2020

SHEET NO. : /



# TRENCH DETAIL

SCALE: 1 : 10



NOTE: ALL THE INTERNAL SURFACE TO BE APPLIED WITH WATERPROOFING COATING. WATERPROOFING COATING TO BE APPROVED BY CLIENT BEFORE APPLYING.

SHEET CONTENTS :

REVISION NOTES:

PROJECT:  
 RENOVATION OF  
 RADIOLOGY  
 DEPARTMENT AT R.  
 UGOOFAARU REGIONAL  
 HOSPITAL

CLIENT:

MINISTRY OF HEALTH

LOCATION:  
 R. UGOOFAARU

CONTENTS: AS GIVEN

PROJECT MANAGER:

DESIGNER: ARIZ

CIV/STR. ENGINEER:

SURVEYED BY: - ARIZ

DRAWN BY: ARIZ

CHECKED BY:

DATE : FEBRUARY 2020

SHEET NO. : /



# RAILING PLAN FOR BED SIDE CURATAIN

SCALE: 1 : 25

