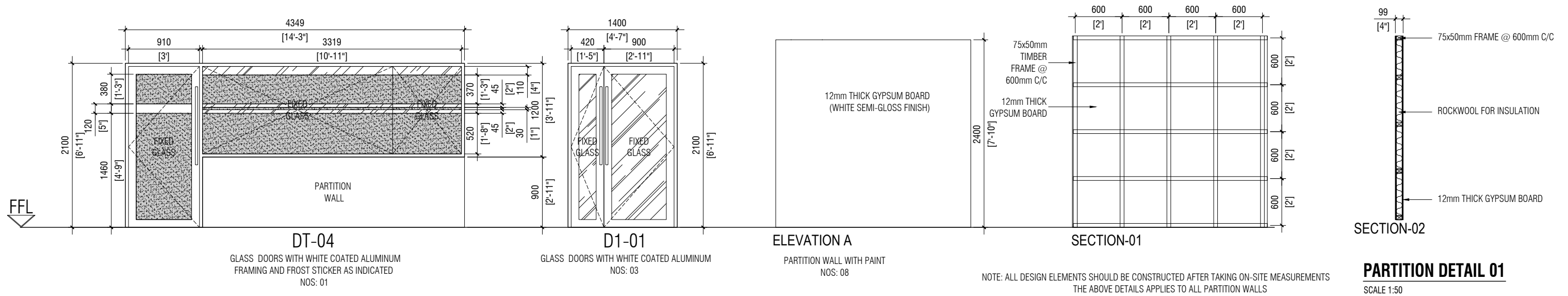


**FULL HEIGHT PARTITION WALLS DETAIL**



**GENERAL NOTES**  
All representations are the property of FAHI DHIRULHUN CORPORATION LTD, and may not be reproduced without written permission.

**LOCATION**  
VELAANAAGE BUILDING

**PROJECT TITLE**  
INTERIOR DESIGN

**FIRST ISSUED DATE :** \_\_\_\_\_ **DRAWN :** \_\_\_\_\_

**STAGE**  
-

**CLIENT**  
-

**JOB NUMBER**  
-

**DRAFTED BY**  
HAYYAN & AZEEM

**DATE:**  
-

**ARCHITECT**  
-

**STRUCTURAL ENGINEER**  
-

**ARCHITECTURAL CHECKED BY**  
-

**DATE:**  
-

**STRUCTURAL CHECKED BY**  
-

**DATE:**  
-

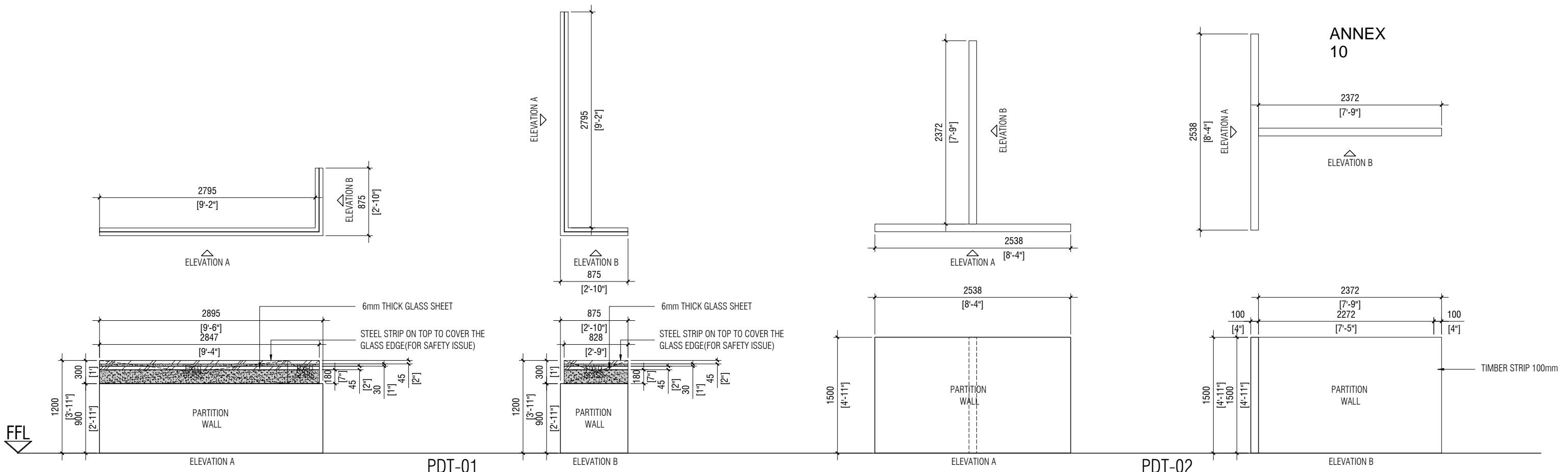
**NOTE**

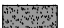
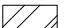
**PAPER SIZE** A3 **SCALE** AS GIVEN

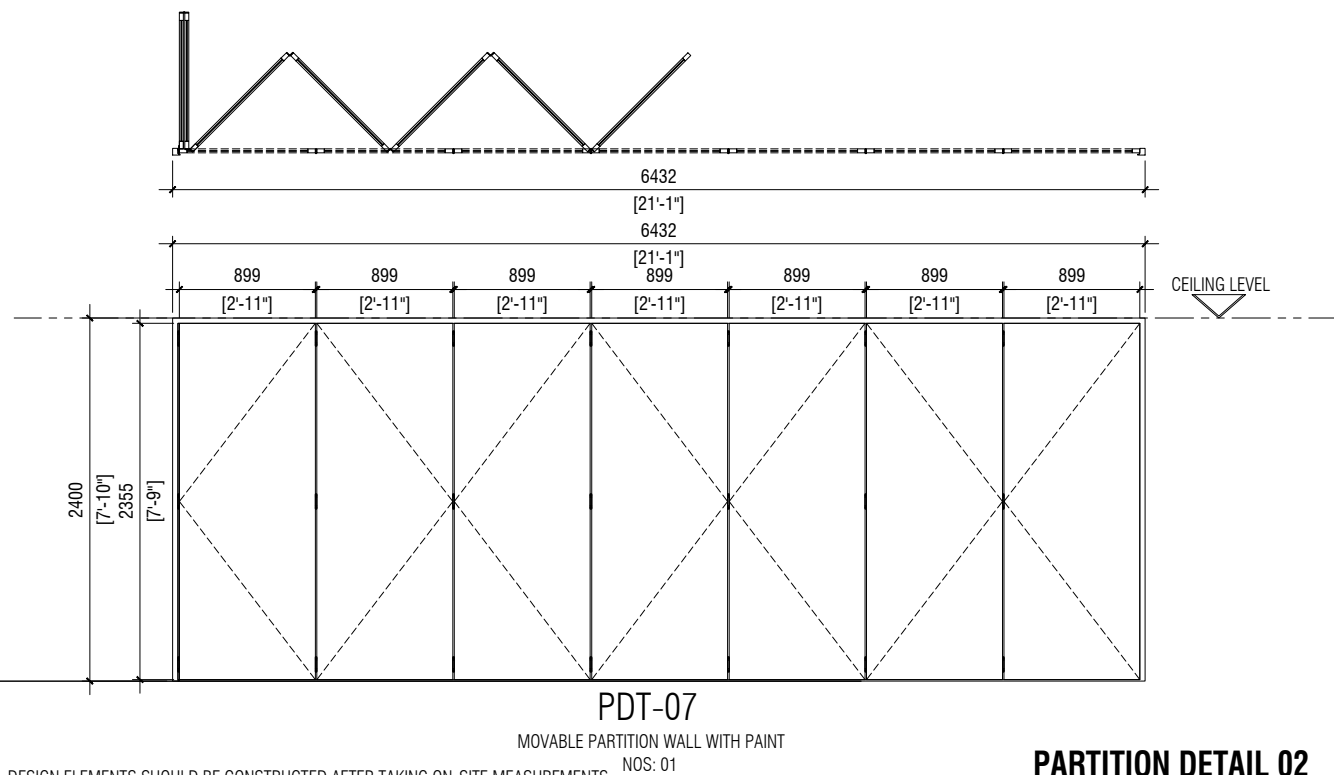
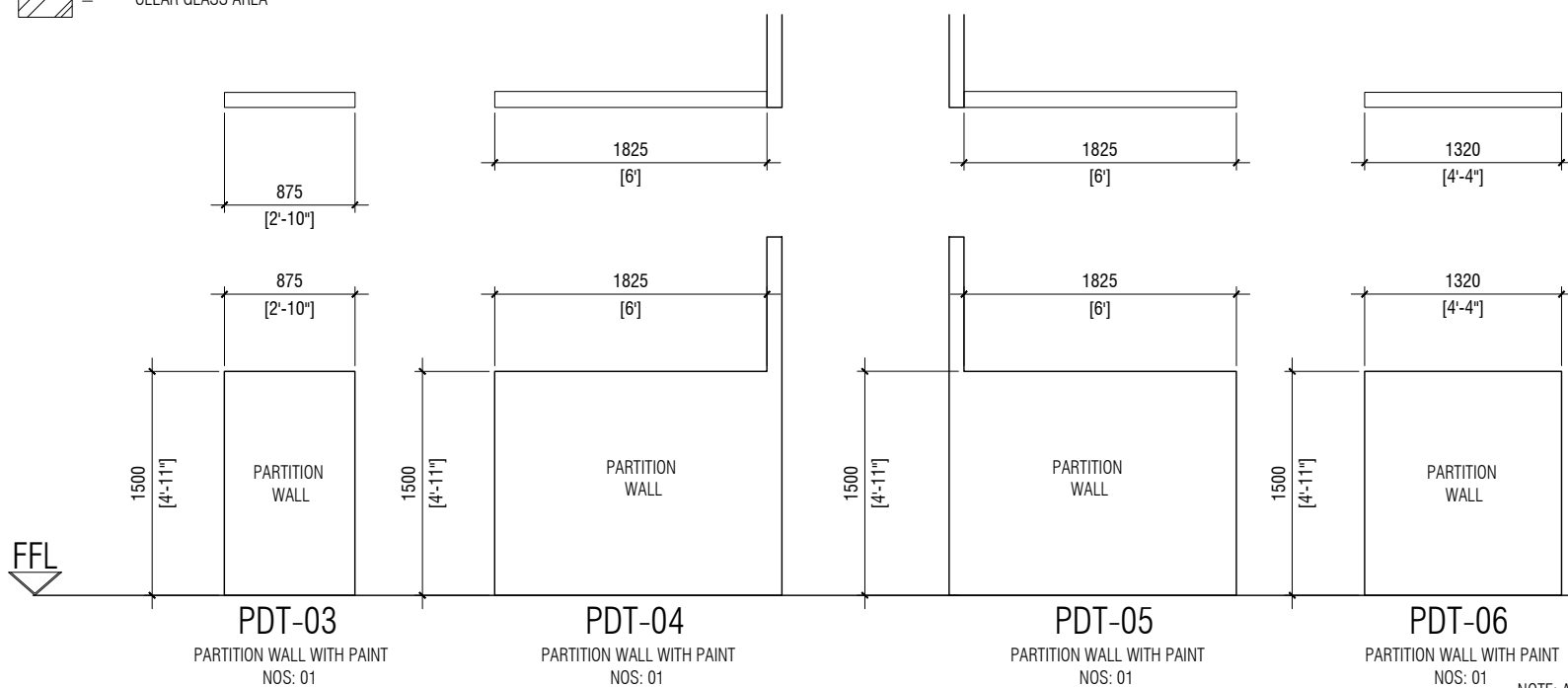
**NO** \_\_\_\_\_ **REVISION DETAIL** \_\_\_\_\_ **DATE :** \_\_\_\_\_

**DRAWING NUMBER**  
A007 - A024

revision **A**



**LEGEND**  
 = FROSTED STICKER AREA  
 = CLEAR GLASS AREA



**GENERAL NOTES**  
 All representations are the property of FAHI DHIRIULHUN CORPORATION LTD, and may not be reproduced without written permission.

FIRST ISSUED DATE : \_\_\_\_\_ DRAWN : \_\_\_\_\_  
 LOCATION  
 VELAANAAGE BUILDING  
 PROJECT TITLE  
 INTERIOR DESIGN

CLIENT  
 -  
 JOB NUMBER  
 -  
 DRAFTED BY  
 HAYYAN & AZEEM  
 STAGE  
 -

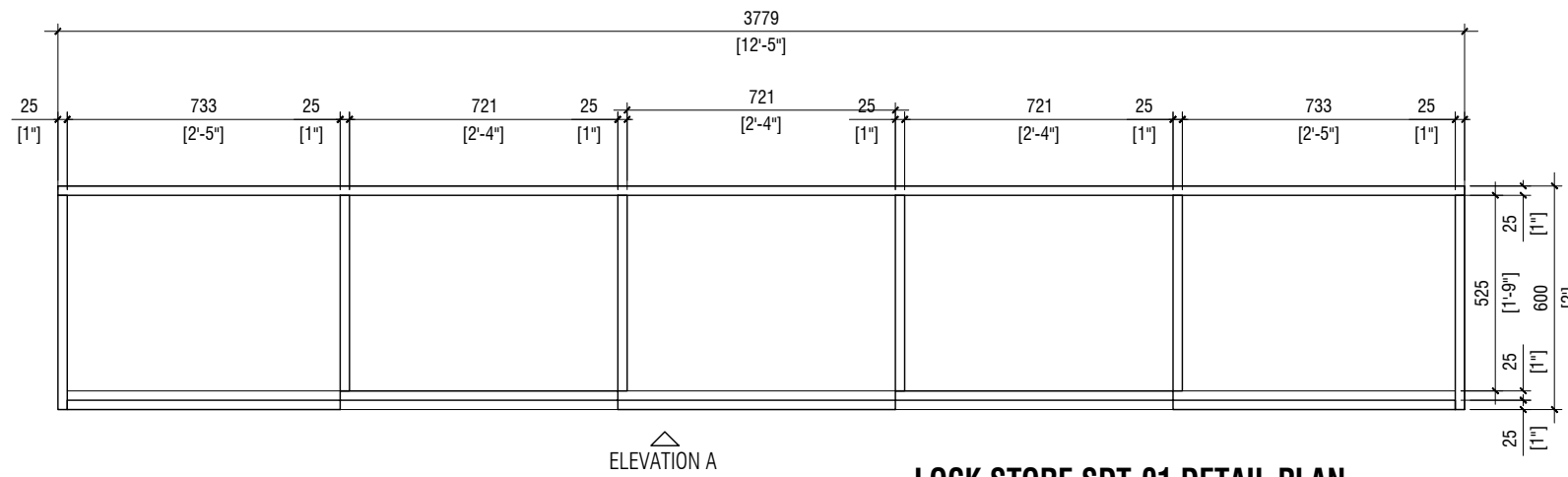
ARCHITECT  
 -  
 STRUCTURAL ENGINEER  
 -  
 ARCHITECTURAL CHECKED BY  
 -  
 DATE:  
 STRUCTURAL CHECKED BY  
 -  
 DATE:

NOTE

PAPER SIZE SCALE  
 A3 AS GIVEN  
 NO REVISION DETAIL DATE :  
 NOTE 01  
 DRAWING NUMBER  
 A008 - A024  
 revision **A**

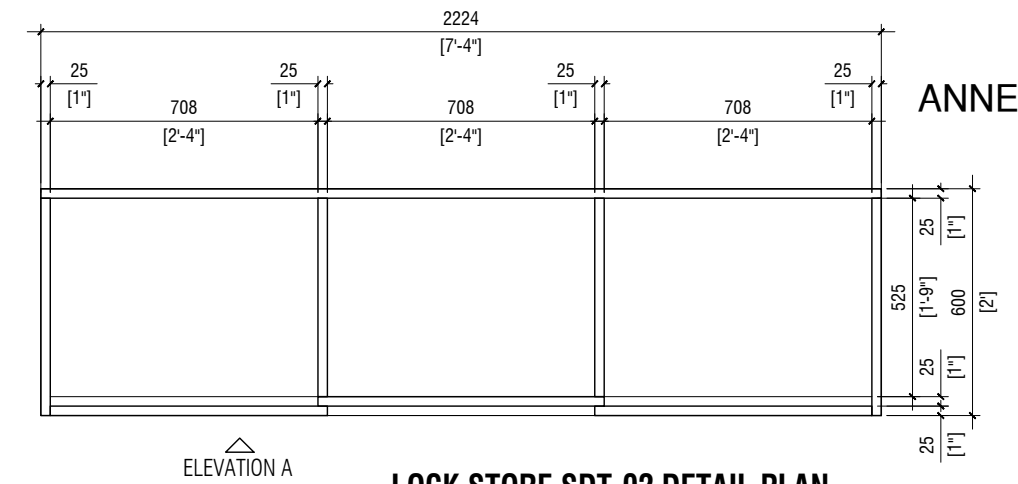
NOTE: ALL DESIGN ELEMENTS SHOULD BE CONSTRUCTED AFTER TAKING ON-SITE MEASUREMENTS  
 THE ABOVE DETAILS APPLIES TO ALL PARTITION WALLS

**PARTITION DETAIL 02**  
 SCALE 1:50



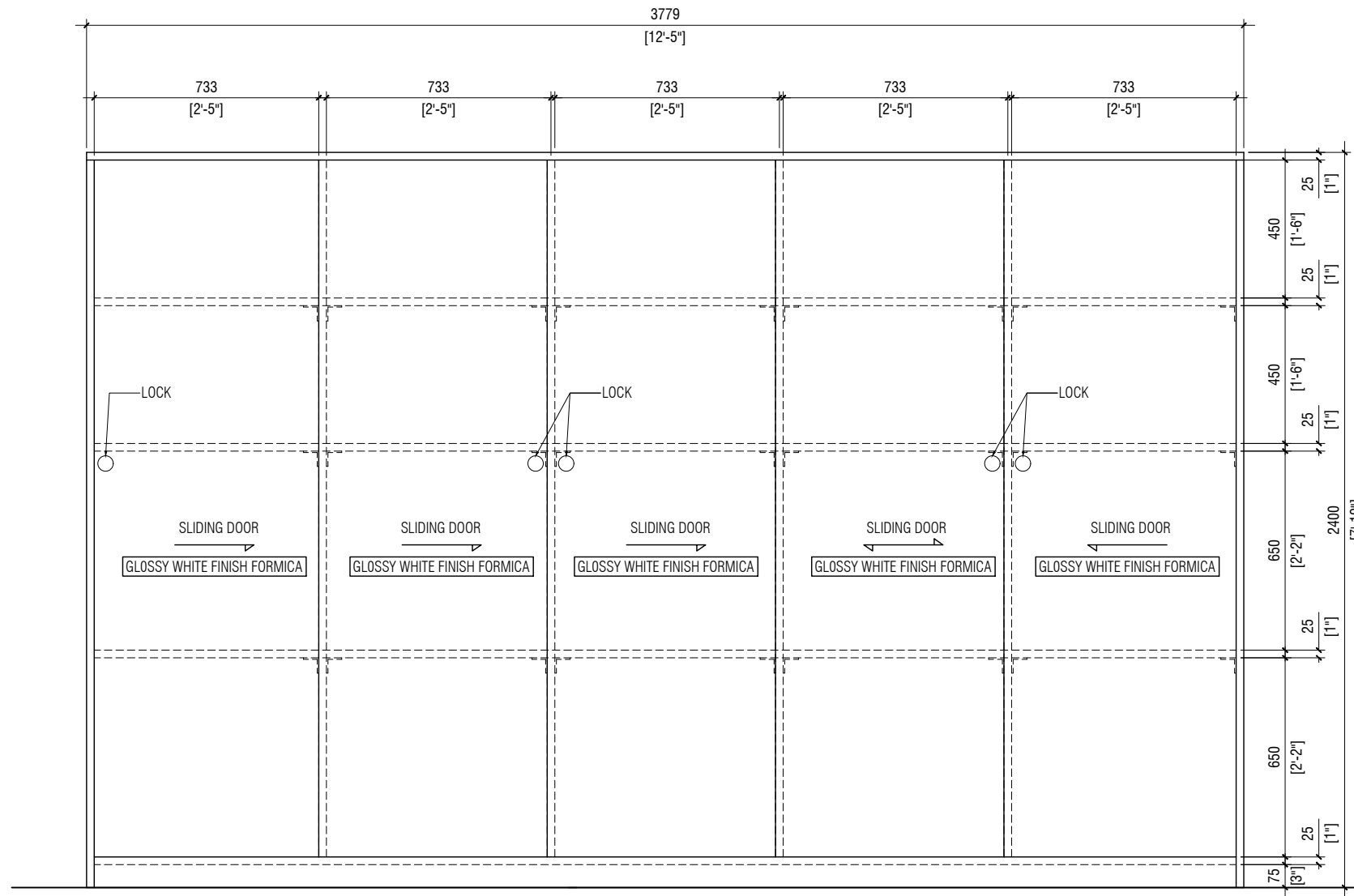
**LOCK STORE SDT-01 DETAIL PLAN**

SCALE 1:20



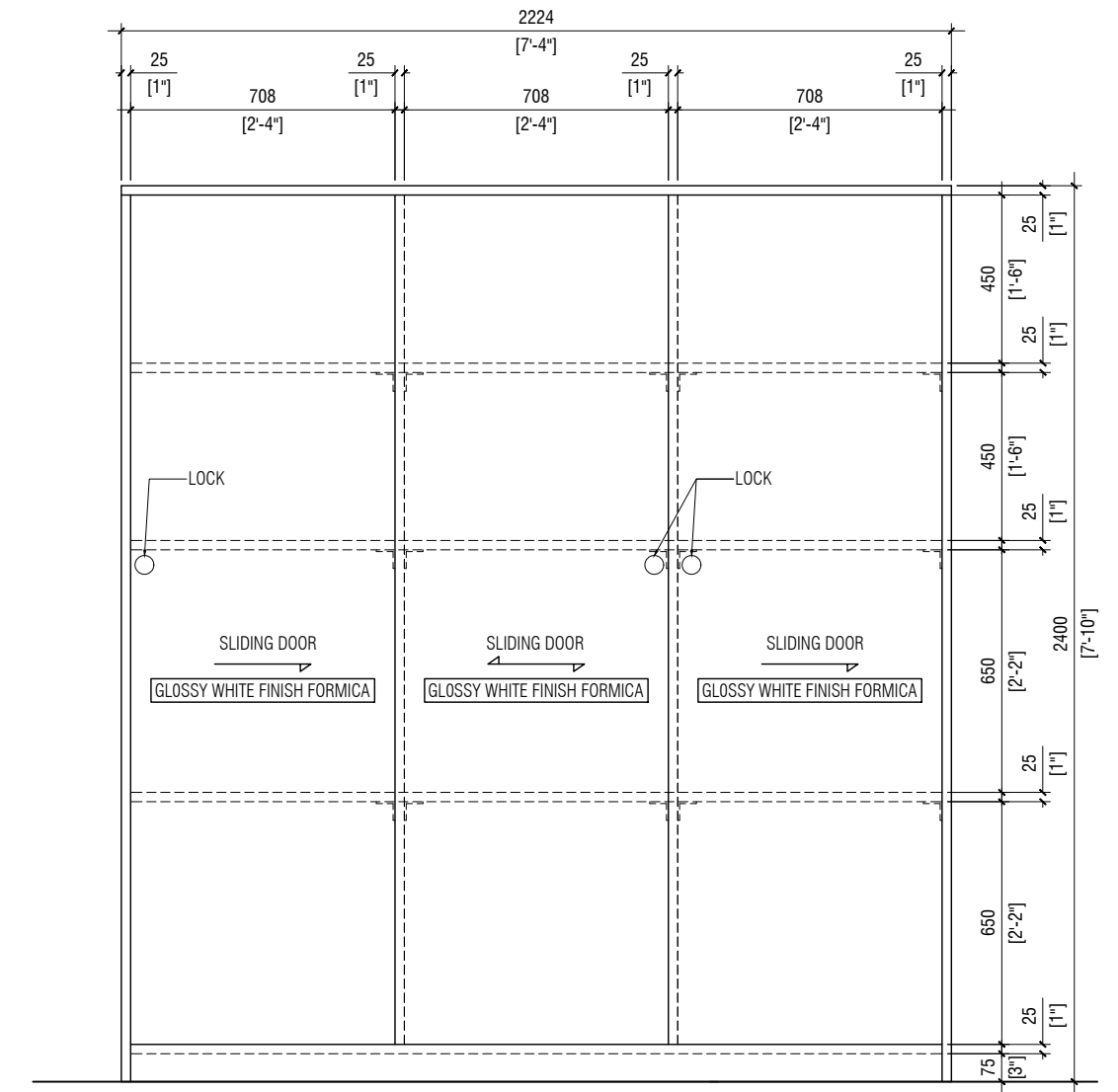
**LOCK STORE SDT-02 DETAIL PLAN**

SCALE 1:20



**LOCK STORE SDT-01 ELEVATION A**

SCALE 1:20



**LOCK STORE SDT-02 ELEVATION A**

SCALE 1:20

NOTE: ALL DESIGN ELEMENTS SHOULD BE CONSTRUCTED AFTER TAKING ON-SITE MEASUREMENTS  
THE ABOVE DETAILS APPLIES TO ALL

**LOCK STORE DETAIL 01**

SCALE 1:20

GENERAL NOTES  
All representations are the property of FAHI DHIRULHUN CORPORATION LTD, and may not be reproduced without written permission.

FIRST ISSUED DATE : \_\_\_\_\_ DRAWN : \_\_\_\_\_

LOCATION  
VELAANAAGE BUILDING

PROJECT TITLE  
INTERIOR DESIGN

CLIENT  
-  
JOB NUMBER  
-  
DRAFTED BY  
HAYYAN & AZEEM  
STAGE  
-

ARCHITECT  
-  
STRUCTURAL ENGINEER  
-  
ARCHITECTURAL CHECKED BY  
-  
DATE:  
STRUCTURAL CHECKED BY  
-  
DATE:

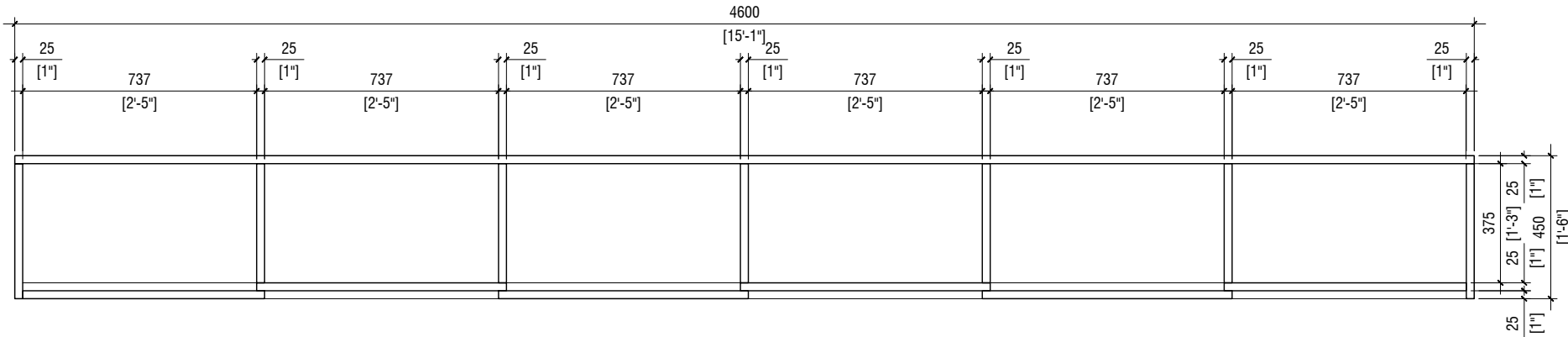
NOTE

PAPER SIZE SCALE  
A3 AS GIVEN

NO REVISION DETAIL DATE :  
NOTE 01

DRAWING NUMBER  
A009 - A024

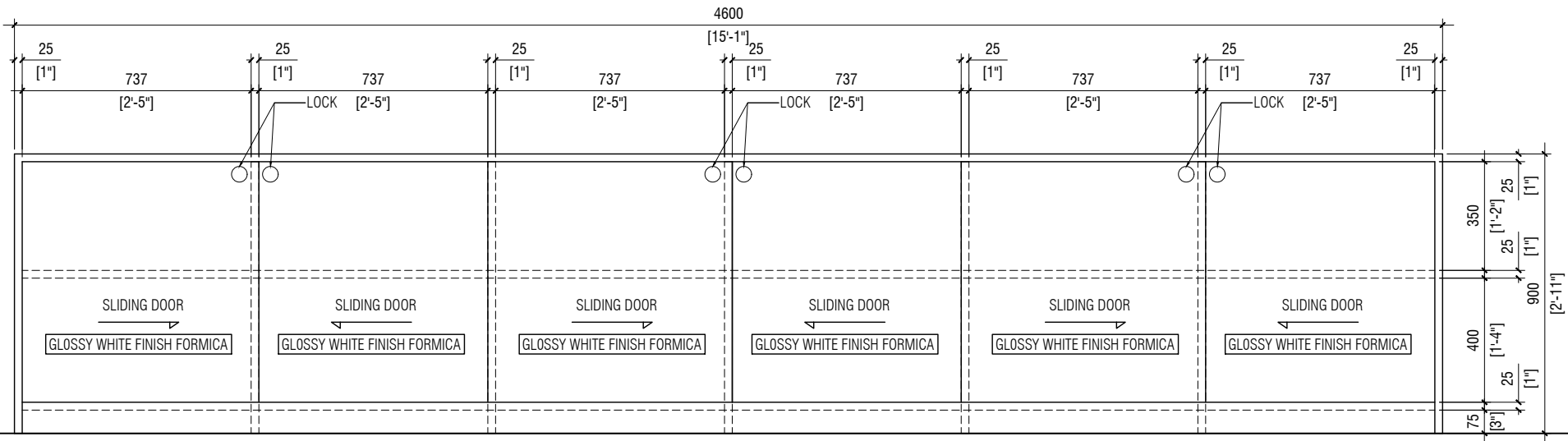
revision **A**



ELEVATION A

**FILES SHELF SDT-03 DETAIL PLAN**

SCALE 1:20



**FILES SHELF SDT-03 ELEVATION A**

SCALE 1:20

**FILES SHELF DETAIL 01**

SCALE 1:20

NOTE: ALL DESIGN ELEMENTS SHOULD BE CONSTRUCTED AFTER TAKING ON-SITE MEASUREMENTS  
THE ABOVE DETAILS APPLIES TO ALL

GENERAL NOTES  
All representations are the property of FAHI DHIRULHUN CORPORATION LTD. and may not be reproduced without written permission.

FIRST ISSUED DATE : \_\_\_\_\_ DRAWN : \_\_\_\_\_

LOCATION  
VELAANAAGE BUILDING

PROJECT TITLE  
INTERIOR DESIGN

CLIENT

JOB NUMBER

DRAFTED BY  
HAYYAN & AZEEM

STAGE

ARCHITECT

STRUCTURAL ENGINEER

ARCHITECTURAL CHECKED BY

DATE:  
STRUCTURAL CHECKED BY

DATE:

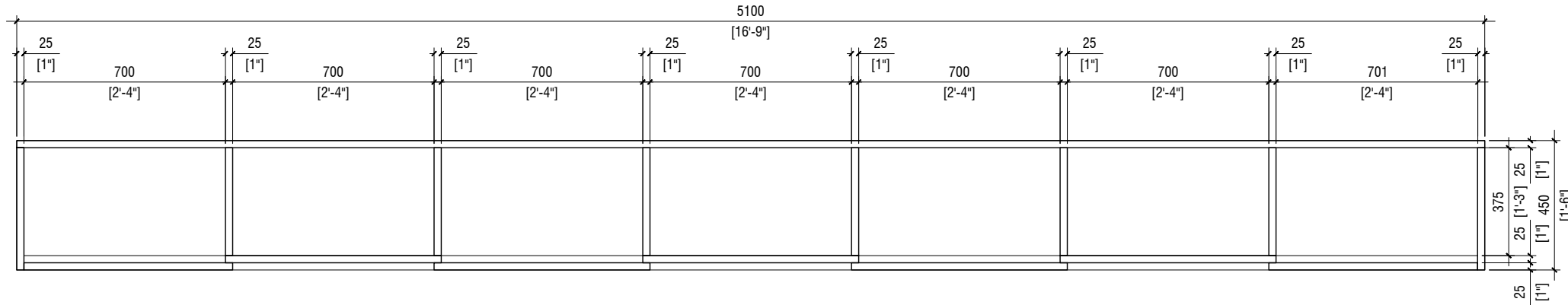
NOTE

PAPER SIZE SCALE  
A3 AS GIVEN

NO REVISION DETAIL DATE :  
NOTE 01

DRAWING NUMBER  
A010 - A024

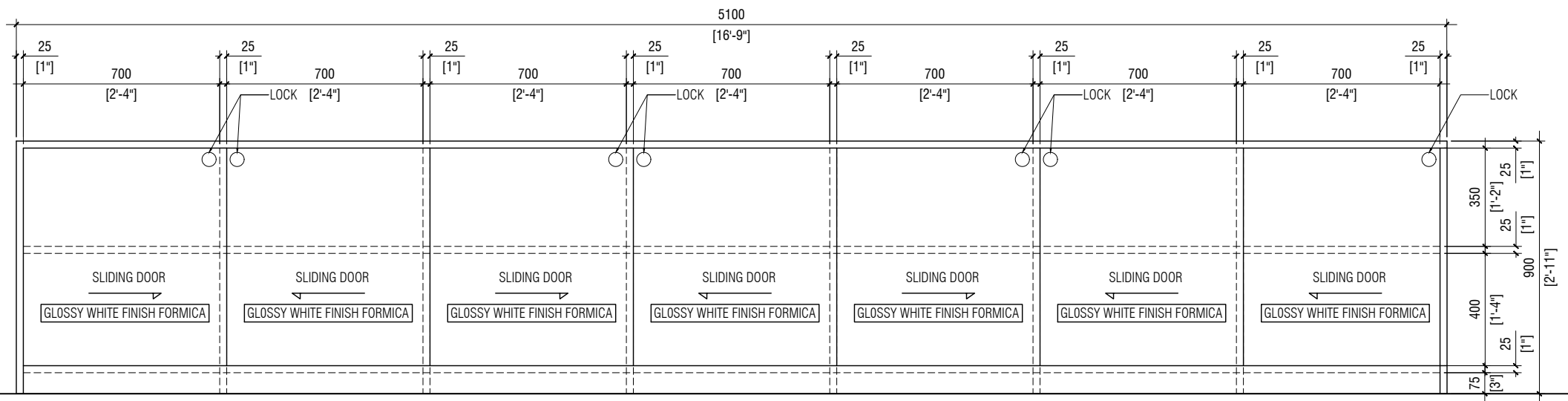
revision **A**



ELEVATION A

**FILES SHELF SDT-03 DETAIL PLAN**

SCALE 1:20



**FILES SHELF SDT-03 ELEVATION A**

SCALE 1:20

**FILES SHELF DETAIL 02**

SCALE 1:20

NOTE: ALL DESIGN ELEMENTS SHOULD BE CONSTRUCTED AFTER TAKING ON-SITE MEASUREMENTS  
THE ABOVE DETAILS APPLIES TO ALL

GENERAL NOTES  
All representations are the property of FAHI DHIRULHUN CORPORATION LTD, and may not be reproduced without written permission.

FIRST ISSUED DATE : \_\_\_\_\_ DRAWN : \_\_\_\_\_

LOCATION  
VELAANAAGE BUILDING

PROJECT TITLE  
INTERIOR DESIGN

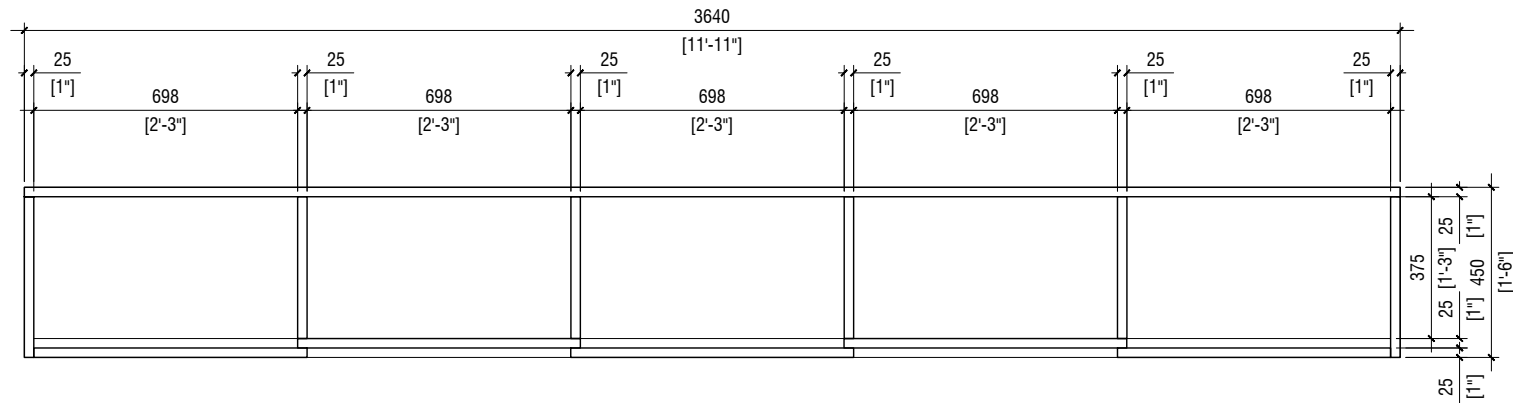
CLIENT  
-  
JOB NUMBER  
-  
DRAFTED BY  
HAYYAN & AZEEM  
STAGE  
-

ARCHITECT  
-  
STRUCTURAL ENGINEER  
-  
ARCHITECTURAL CHECKED BY  
-  
DATE:  
STRUCTURAL CHECKED BY  
-  
DATE:

NOTE

PAPER SIZE SCALE  
A3 AS GIVEN  
NO REVISION DETAIL DATE :  
NOTE 01

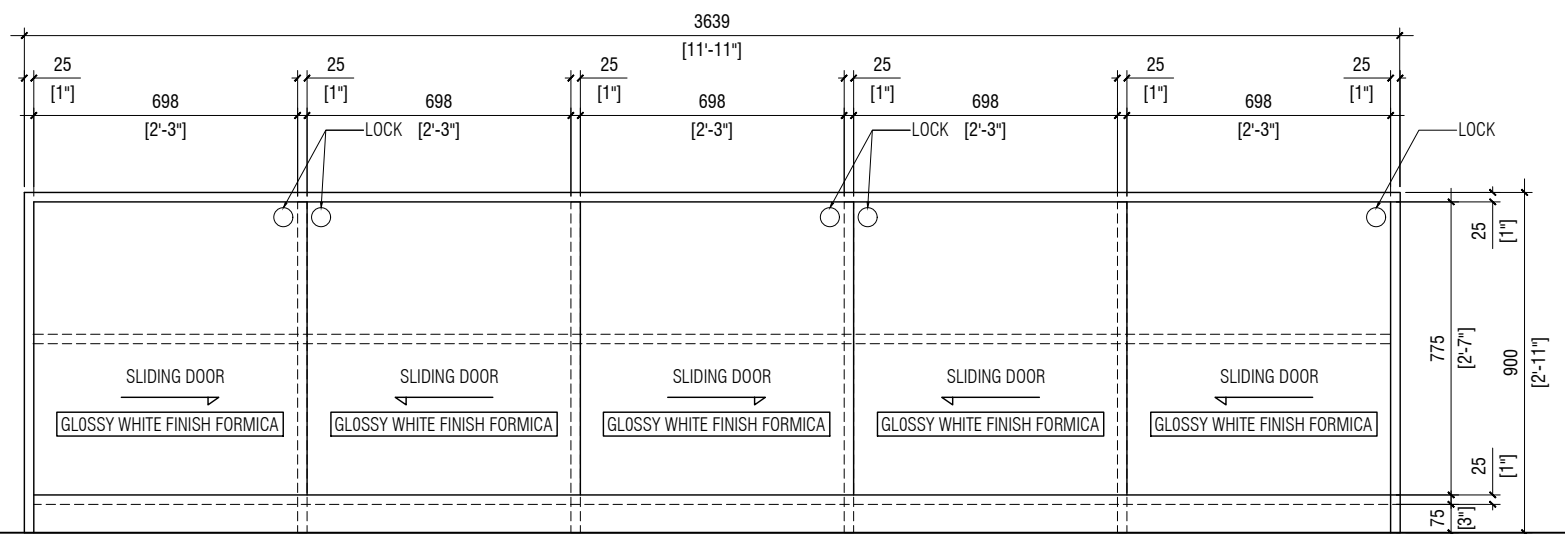
DRAWING NUMBER  
A011 - A024  
revision **A**



ELEVATION A

**FILES SHELF SDT-03 DETAIL PLAN**

SCALE 1:20



**FILES SHELF SDT-03 ELEVATION A**

SCALE 1:20

**FILES SHELF DETAIL 03**

SCALE 1:20

NOTE: ALL DESIGN ELEMENTS SHOULD BE CONSTRUCTED AFTER TAKING ON-SITE MEASUREMENTS  
THE ABOVE DETAILS APPLIES TO ALL

GENERAL NOTES  
All representations are the property of FAHI DHIRULHUN CORPORATION LTD. and may not be reproduced without written permission.

FIRST ISSUED DATE : \_\_\_\_\_ DRAWN : \_\_\_\_\_

LOCATION  
VELAANAAGE BUILDING

PROJECT TITLE  
INTERIOR DESIGN

CLIENT

JOB NUMBER

DRAFTED BY  
HAYYAN & AZEEM

STAGE

ARCHITECT

STRUCTURAL ENGINEER

ARCHITECTURAL CHECKED BY

DATE:  
STRUCTURAL CHECKED BY

DATE:

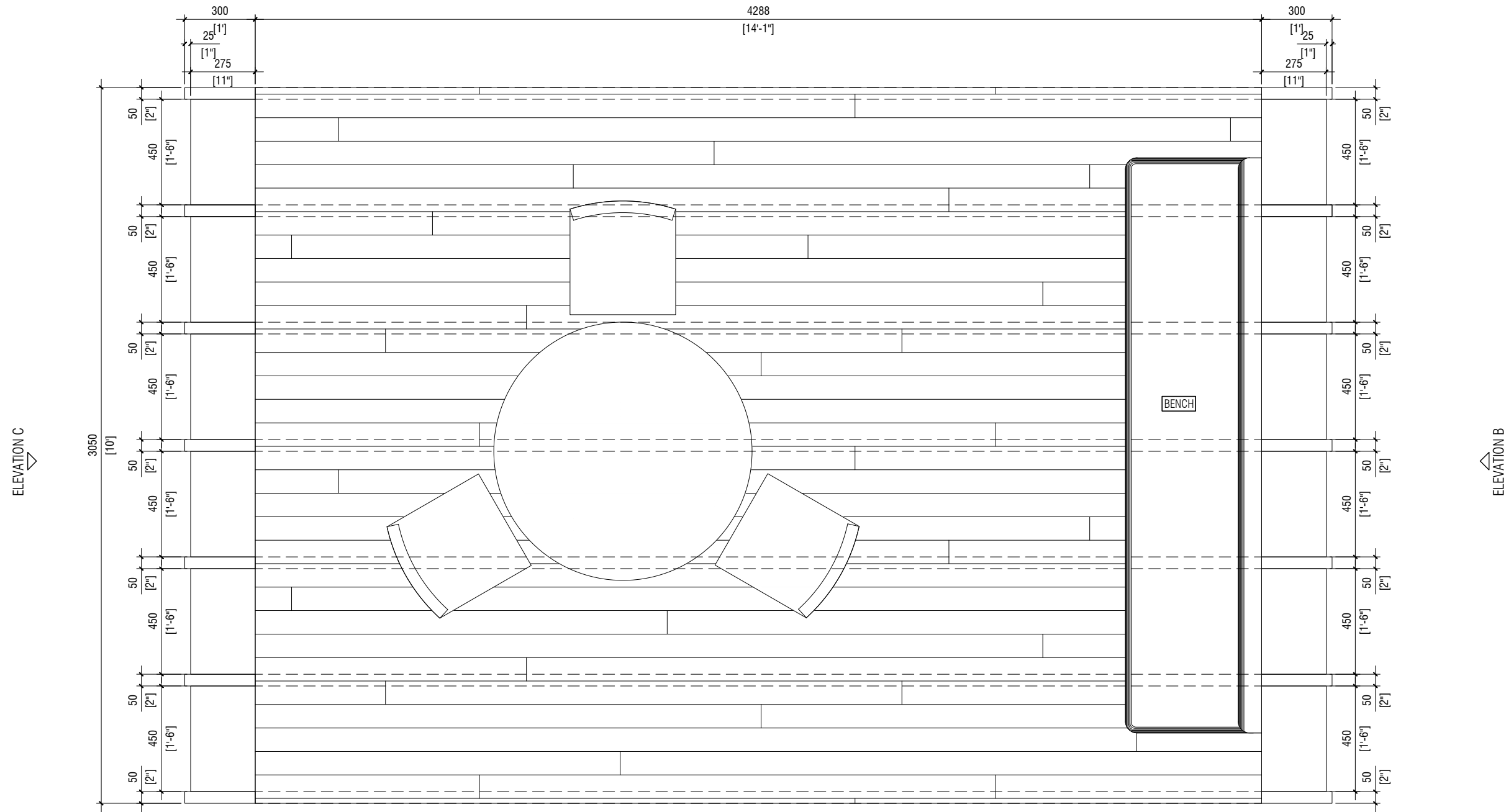
NOTE

PAPER SIZE SCALE  
A3 AS GIVEN

NO REVISION DETAIL DATE :

DRAWING NUMBER  
A012 - A024

revision **A**



**OPEN DECK DETAIL DDT-01 PLAN**

SCALE 1:20

ELEVATION A

NOTE: ALL DESIGN ELEMENTS SHOULD BE CONSTRUCTED AFTER TAKING ON-SITE MEASUREMENTS

GENERAL NOTES  
All representations are the property of FAHI DHIRULHUN CORPORATION LTD, and may not be reproduced without written permission.

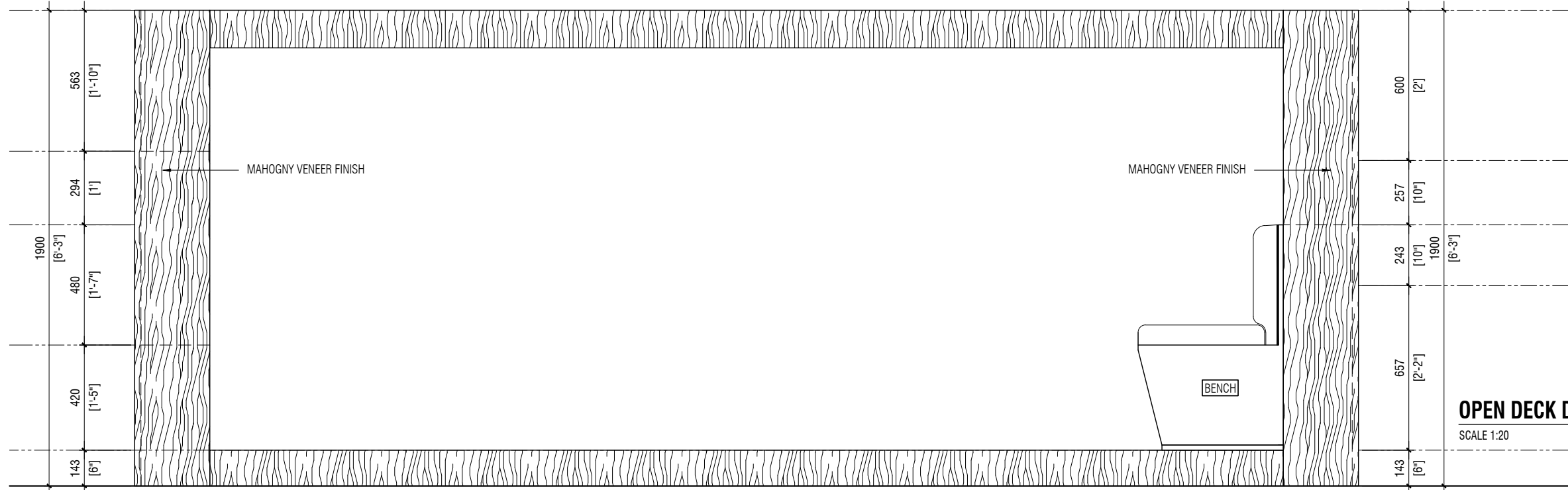
FIRST ISSUED DATE: \_\_\_\_\_ DRAWN: \_\_\_\_\_  
LOCATION  
VELAANAAGE BUILDING  
PROJECT TITLE  
INTERIOR DESIGN

CLIENT  
-  
JOB NUMBER  
-  
DRAFTED BY  
HAYYAN & AZEEM  
STAGE  
-

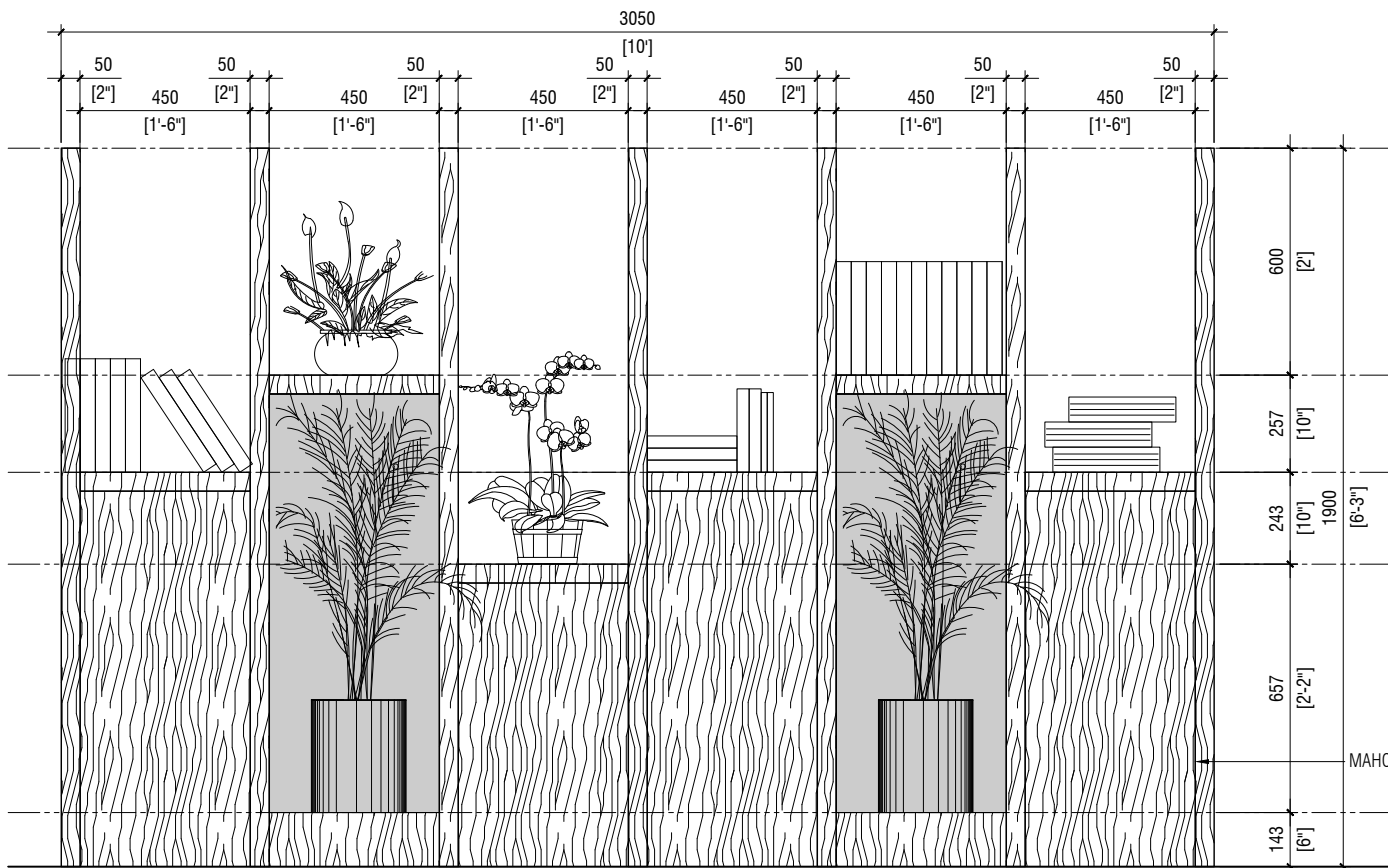
ARCHITECT  
-  
STRUCTURAL ENGINEER  
-  
ARCHITECTURAL CHECKED BY  
-  
DATE:  
STRUCTURAL CHECKED BY  
-  
DATE:

NOTE

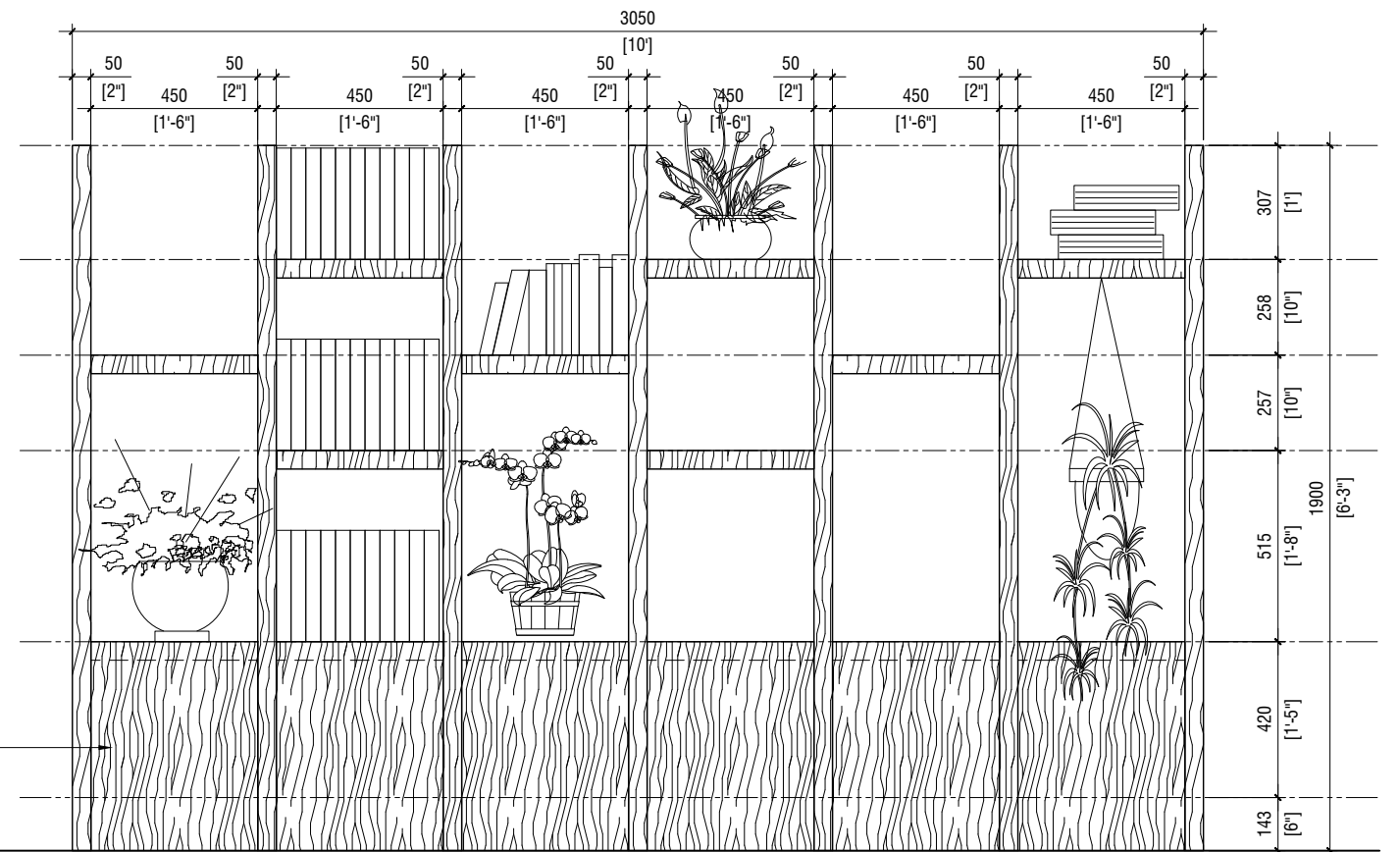
PAPER SIZE SCALE  
A3 AS GIVEN  
NO REVISION DETAIL DATE:  
NOTE 01  
DRAWING NUMBER  
A013 - A024  
revision A



**OPEN DECK DETAIL DDT-01 ELEVATION A**  
SCALE 1:20



**OPEN DECK DETAIL DDT-01 ELEVATION B**  
SCALE 1:20



**OPEN DECK DETAIL DDT-01 ELEVATION C**  
SCALE 1:20

NOTE: ALL DESIGN ELEMENTS SHOULD BE CONSTRUCTED AFTER TAKING ON-SITE MEASUREMENTS

GENERAL NOTES  
All representations are the property of FAHI DHIRULHUN CORPORATION LTD, and may not be reproduced without written permission.

FIRST ISSUED DATE: \_\_\_\_\_ DRAWN: \_\_\_\_\_

LOCATION  
VELAANAAGE BUILDING

PROJECT TITLE  
INTERIOR DESIGN

CLIENT  
-

JOB NUMBER  
-

DRAFTED BY  
HAYYAN & AZEEM

STAGE  
-

ARCHITECT  
-

STRUCTURAL ENGINEER  
-

ARCHITECTURAL CHECKED BY  
-

DATE:  
STRUCTURAL CHECKED BY  
-

DATE:  
-

NOTE

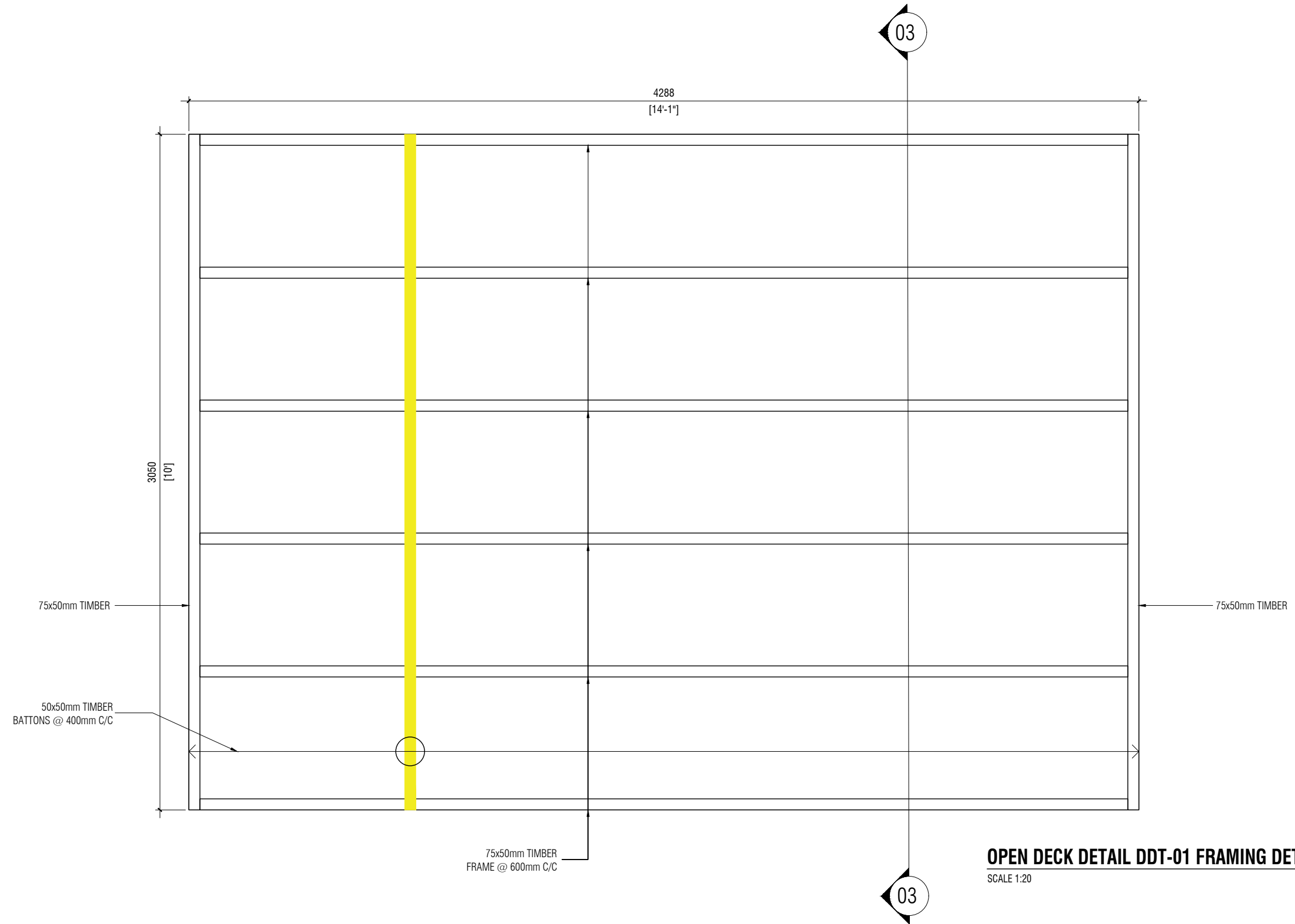
PAPER SIZE SCALE  
A3 AS GIVEN

NO REVISION DETAIL DATE:  
NOTE 01

DRAWING NUMBER  
A014 - A024

revision **A**





**OPEN DECK DETAIL DDT-01 FRAMING DETAIL PLAN**  
SCALE 1:20

GENERAL NOTES  
All representations are the property of FAHI DHIRULHUN CORPORATION LTD, and may not be reproduced without written permission.

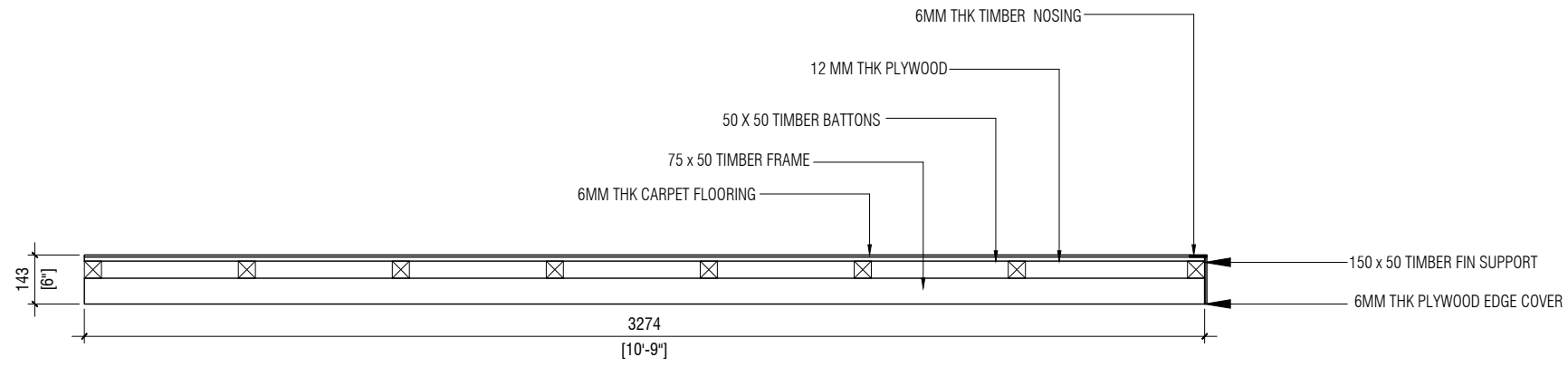
FIRST ISSUED DATE : \_\_\_\_\_ DRAWN : \_\_\_\_\_  
LOCATION  
VELAANAAGE BUILDING  
PROJECT TITLE  
INTERIOR DESIGN

CLIENT  
-  
JOB NUMBER  
-  
DRAFTED BY  
HAYYAN & AZEEM  
STAGE  
-

ARCHITECT  
-  
STRUCTURAL ENGINEER  
-  
ARCHITECTURAL CHECKED BY  
-  
DATE:  
STRUCTURAL CHECKED BY  
-  
DATE:

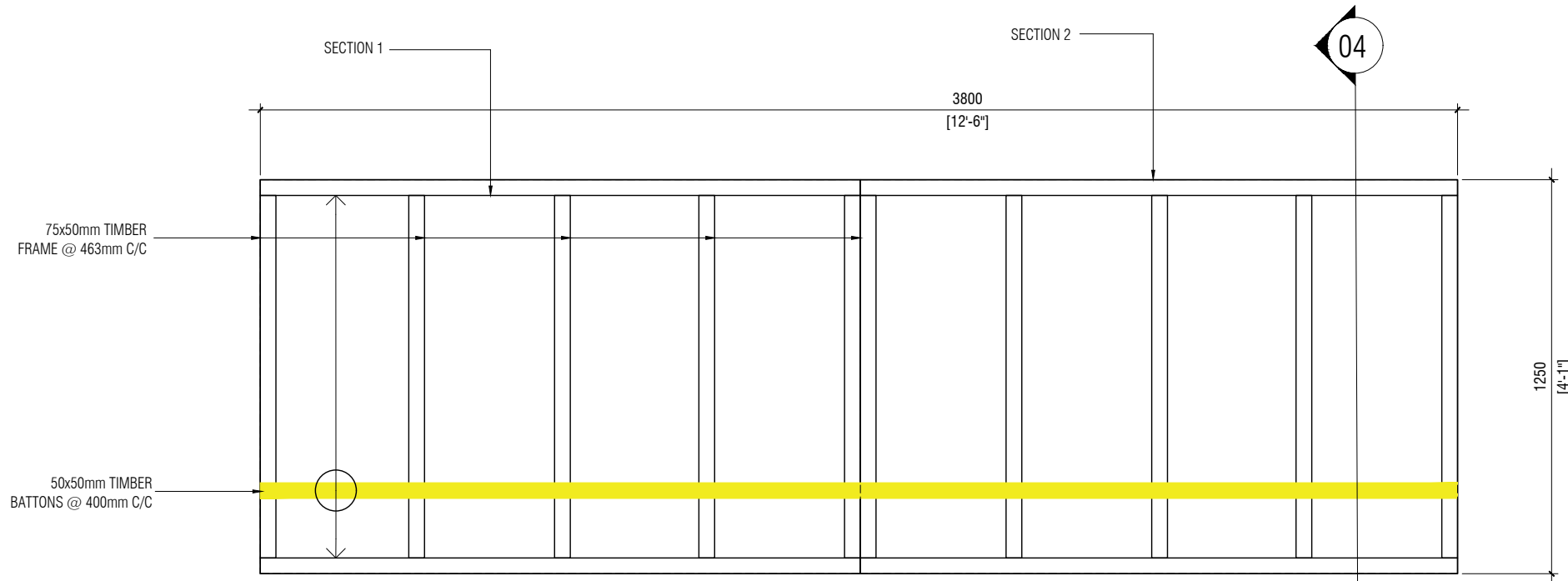
NOTE

PAPER SIZE SCALE  
A3 AS GIVEN  
NO REVISION DETAIL DATE :  
NOTE 01  
DRAWING NUMBER  
A015 - A024  
revision **A**



**OPEN DECK DETAIL DDT-01 OPEN DECK SECTION 03**

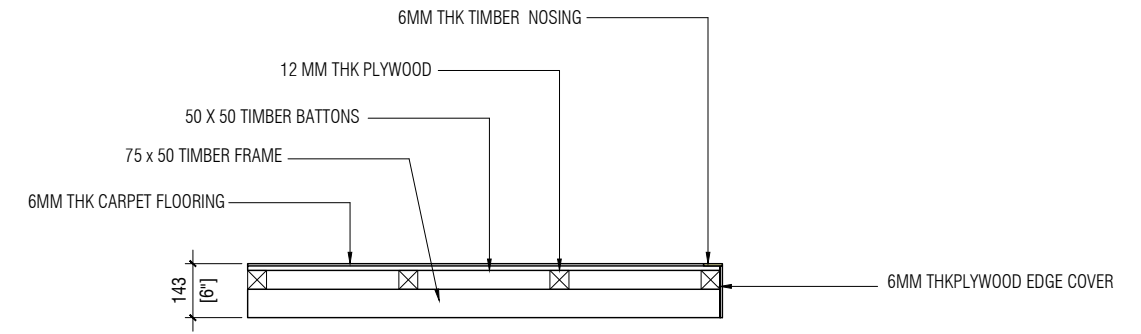
SCALE 1:20



ELEVATION A

**STAGE FRAMING DDT-02 DETAIL PLAN**

SCALE 1:20



**STAGE DDT-02 SECTION 04**

SCALE 1:20

NOTE: ALL DESIGN ELEMENTS SHOULD BE CONSTRUCTED AFTER TAKING ON-SITE MEASUREMENTS

GENERAL NOTES  
All representations are the property of FAHI DHIRULHUN CORPORATION LTD, and may not be reproduced without written permission.

FIRST ISSUED DATE : \_\_\_\_\_ DRAWN : \_\_\_\_\_

LOCATION  
VELAANAAGE BUILDING

PROJECT TITLE  
INTERIOR DESIGN

CLIENT  
-  
JOB NUMBER  
-  
DRAFTED BY  
HAYYAN & AZEEM  
STAGE  
-

ARCHITECT  
-  
STRUCTURAL ENGINEER  
-  
ARCHITECTURAL CHECKED BY  
-  
DATE:  
STRUCTURAL CHECKED BY  
-  
DATE:

NOTE

PAPER SIZE SCALE  
A3 AS GIVEN  
NO REVISION DETAIL DATE :  
NOTE 01

DRAWING NUMBER  
A016 - A024  
revision A

