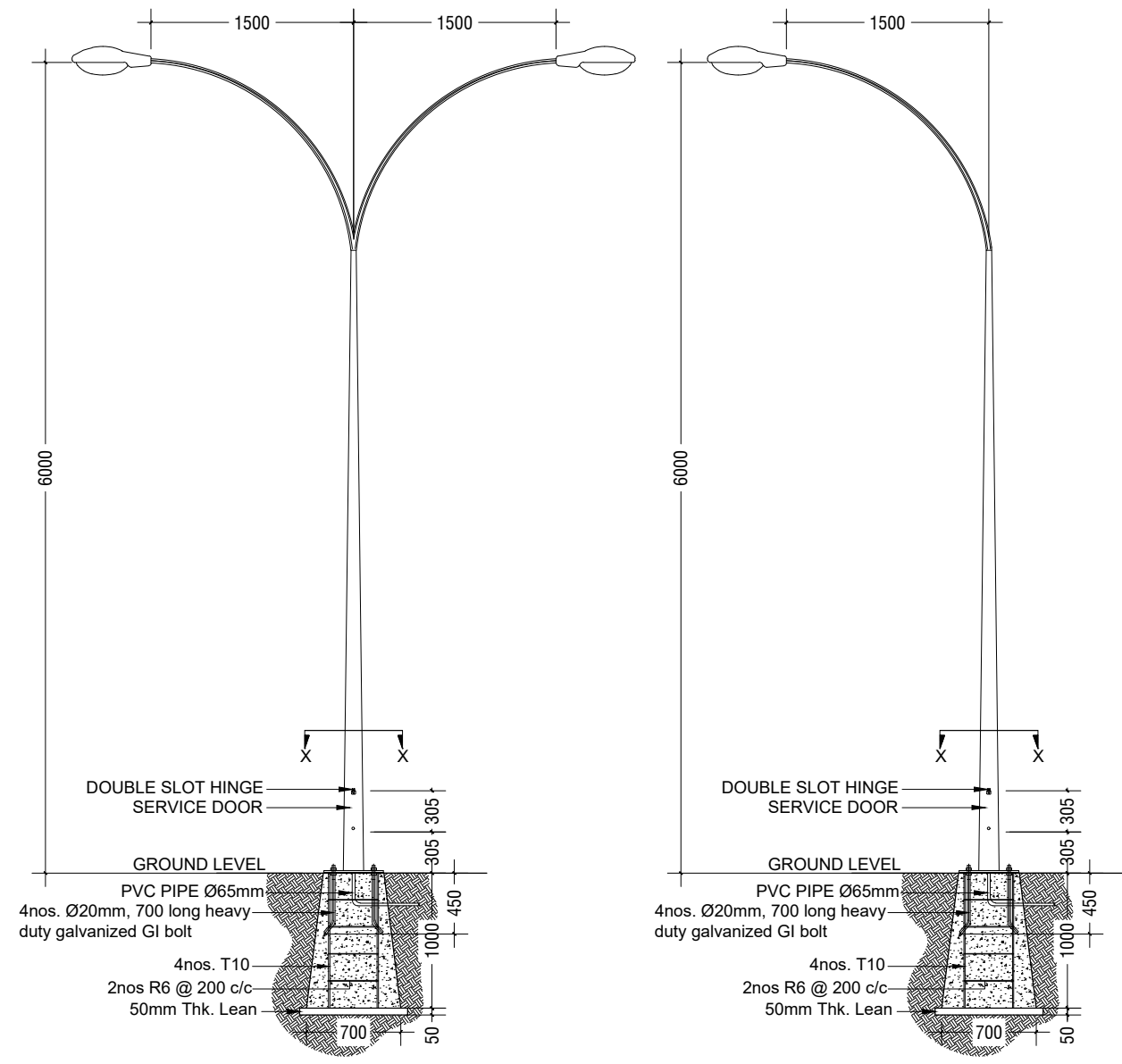


Street Lights Columns

- 1- Street Light column should be designed to withstand wind speed of 35 m/s, topography, ground roughness and statistical factor of 1.0.
- 2- Columns should be manufactured in compliance to British Standard BS EN 40.
- 3- Material used for lighting columns should be compliance to BS EN 10025 S275 / JIS G3101 SS400.
- 4- Lighting columns should be longitudinally seam welded conforming to BS 5135 by automatic continuous metal inert gas (mig) process.
- 5- Columns should be anti-corroded by hot dip galvanization complying with galvanizing standard BS EN ISO 1461.
- 6- Columns should have a minimum height of 6m with a service door.

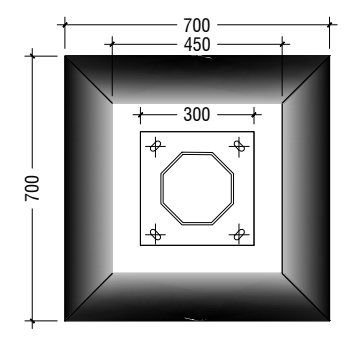
LED Street Light Lantern

- 1- Luminaire Specification:
 - Power: Minimum of 170W
 - Fitting Material: Non-corrosive die-cast Aluminium
 - Optical Cover: 95% Transparent Tempered Glass
 - IP Rating: IP66
 - Voltage: 220 – 240Vac 50/60Hz
- 2- LED Module Specifications
 - Color Temperature: 3000K Warm White
 - Color Rendering Index: >70
 - Luminous Flux: 23600 Minimum

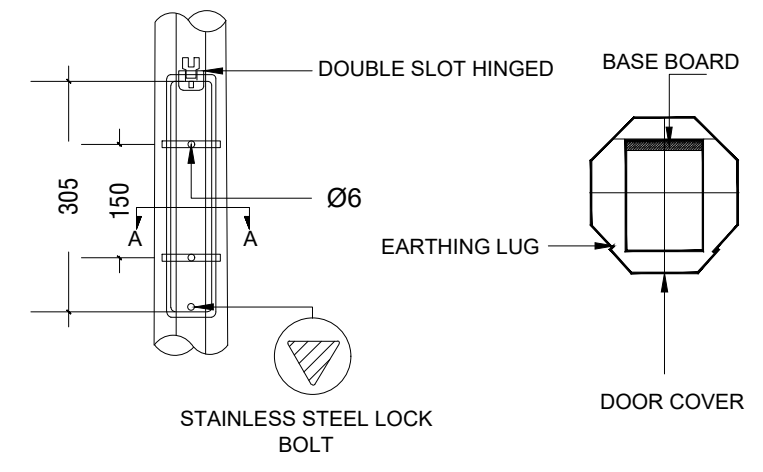


LIGHT POLE TYPE - A
SCALE 1: 50

LIGHT POLE TYPE - B
SCALE 1: 50

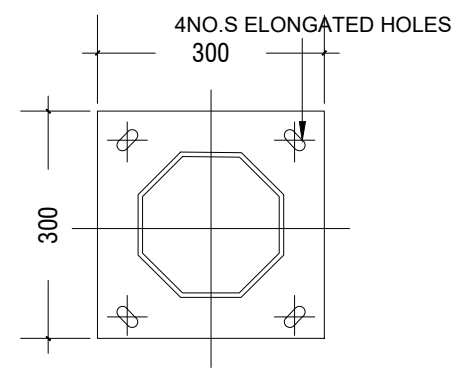


STREET LIGHT FOUNDATION FOOTING DETAIL
1:20

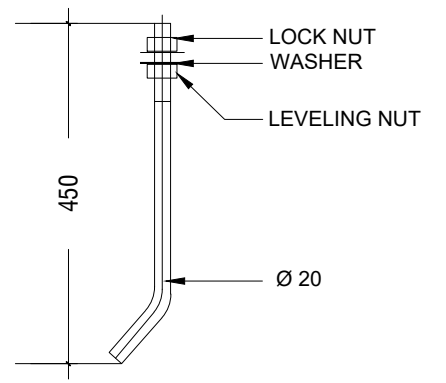


SERVICE DOOR DETAIL
SCALE 1:10

SECTION A-A
SCALE 1:10



SECTION X-X
SCALE 1:10



J - BOLT
SCALE 1:10

PROJECT: LANDSCAPE DEVELOPMENT FOR THE SOCIAL HOUSING UNITS AT G.DH THINADHOO

CLIENT:
MINISTRY OF NATIONAL PLANNING, HOUSING & INFRASTRUCTURE

AMEENEE MAGU,
MALE'
REPUBLIC OF MALDIVES

CONTRACTOR:
ROAD DEVELOPMENT CORPORATION LTD.

ORCHID MAGU,
MAAFANNU, MALE'
REPUBLIC OF MALDIVES

DRAWING TITLE:
LIGHT POLE DETAILS



DRAWN BY: ALI ZAMEER
APPROVED BY: ALI AFAQ
PROJECT NO: THI-RC-2020-08
DRAWING NO: 08
SCALE: AS GIVEN
DATE: 19 OCTOBER 2020