

FABRICATION AND SUPPLY OF CURBSTONE MOLDS

1. Road Development Corporation Ltd will be financing for the Fabricating and Supply of curbstone molds.
2. The Molds are to be fabricated, after submission and approval of initial 3 samples.
3. Upon awarding of the tender, the supplier/Producer must submit samples molds for approval prior to manufacturing bulk quantity.
4. Tenders must be submitted to the RDC Head office, not later than the mentioned deadline.
5. Tenders will be opened in a session to be held at the office mentioned below in Clause 5, and in the presence of representatives of tenderers who wish to attend. This session will take place at time and date tabulated in Clause 5 of this section or such other time and date as may be notified to the tenderers.
6. Dates venues and timing for the tender process are as follows.

Details	Time & Date	Venue
Information – Online/RDC Head office	1 st Dec - 5 th Dec 2020	Procurement@rdc.com.mv Ali.aafaag@rdc.com.mv Ismail.miuraj@rdc.com.mv
Deadline for bid submission	6 th December 2020 10:00	Road Development corporation reception.
Bid Opening	6 th December 2020 10:00	Road Development corporation reception.

Scope:

The scope is for fabrication and delivery of required curbstone molds as per the attached drawing to "A site of our choosing restricted to Male' Area"

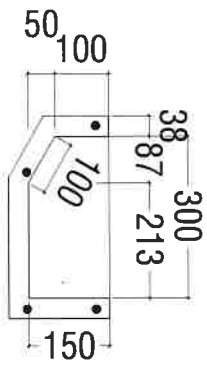
Required Amount: 200 Nos for A.dh.Maamigili.

Material: 3mm MS Sheet, 1.5" x 1.5" x 3mm thick MS angle, 10mm Threaded MS Bolts.

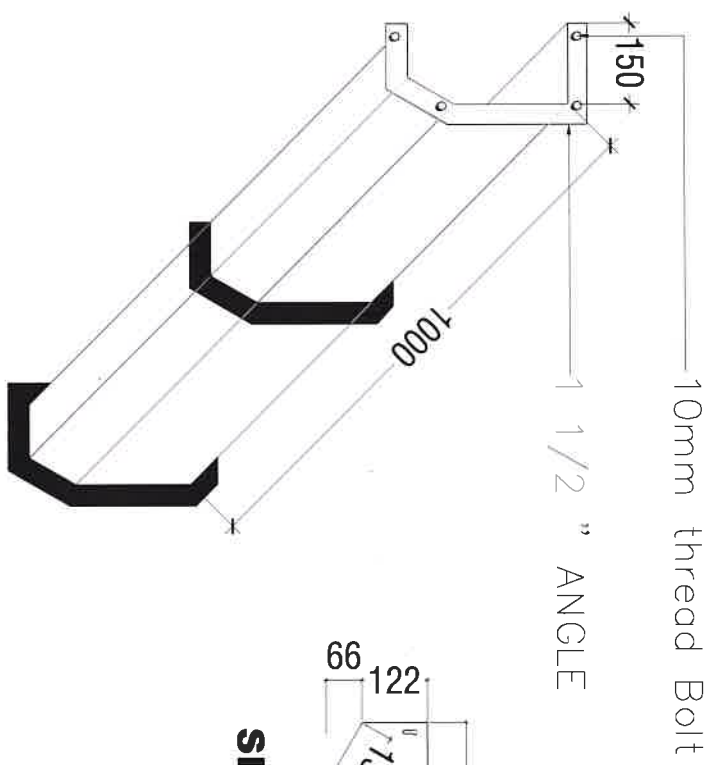
Dimensional Tolerances: +/- 3mm at Length, +/-1.5mm elsewhere.

Initial Samples: 1 Nos.

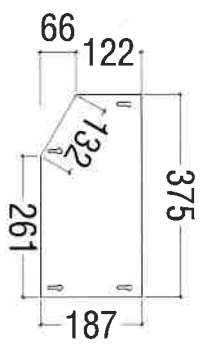
Delivery Schedule: Minimum 50 Nos Per week. (After inspection and sample approval by RDC Surveyor)



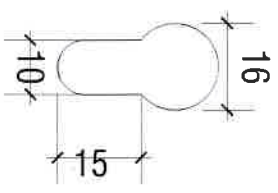
SIDE VIEW



AXONOMETRIC VIEW




SIDE PLATE



HOLE DETAIL

Curbstone Mould
 Body: 3mm MS Sheet
 Bolt: 10mm

PROJECT:		DRAWING TITLE:			DRAWN BY: ALI ZAMEER
CLIENT: MALE CITY COUNCIL KAMBAA AISAA RANI HINGUN, MALE, REPUBLIC OF MALDIVES		CONTRACTOR: ROAD DEVELOPMENT CORPORATION LTD. ORCHID MAGU, MAAFANNU MALE, REPUBLIC OF MALDIVES			
					DRAWING NO:
					SCALE:
					DATE: OCTOBER 2020