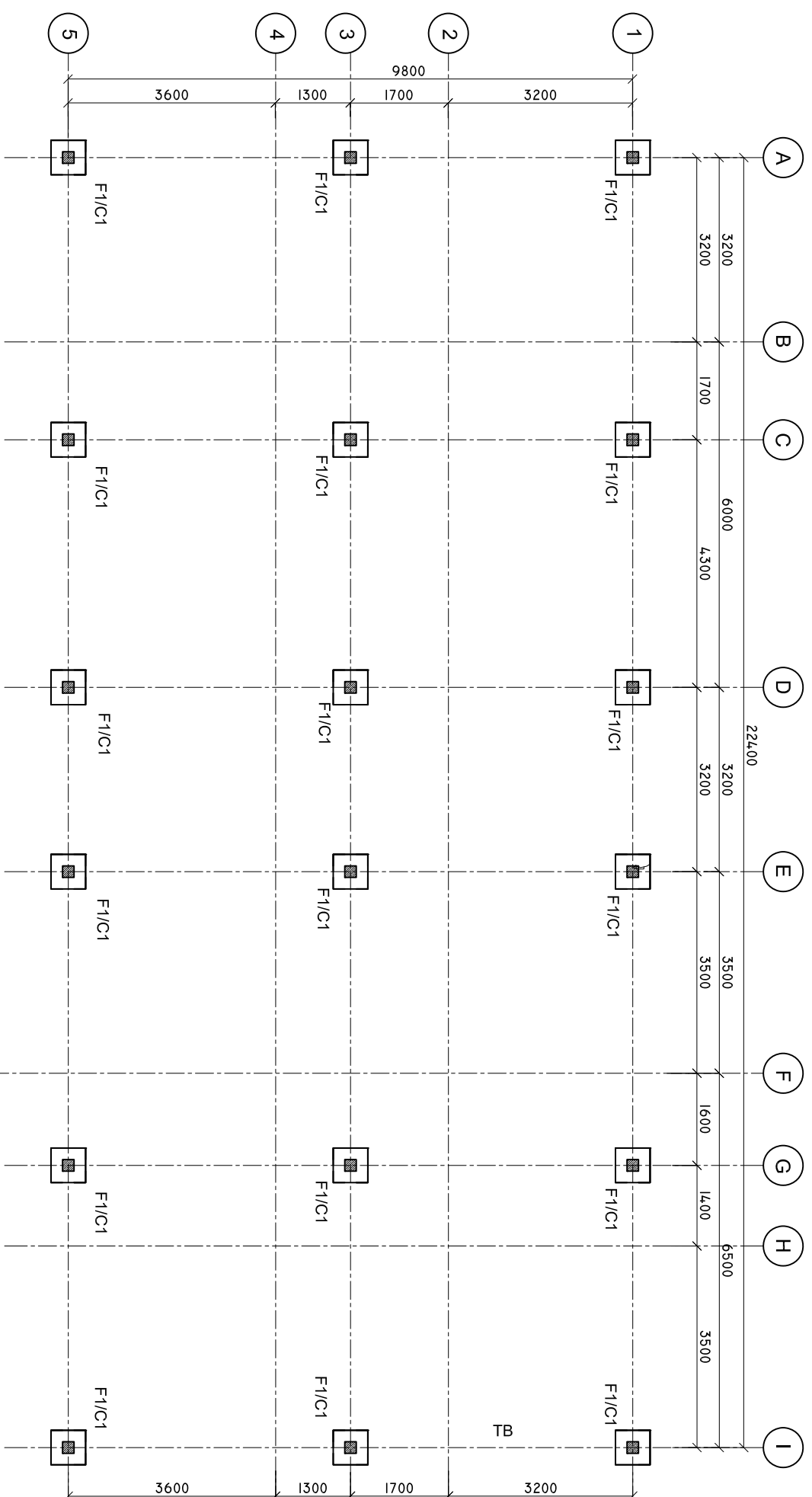


COLUMN AND FOOTING PLAN

SCALE: 1 : 100



SHEET CONTENTS :

REVISION NOTES:

REVISED ON 14, OCT 2019.

PROJECT:

CONSTRUCTION OF HA.
BAARAH HEALTH
CENTER EXTENSION

CLIENT:

MINISTRY OF HEALTH

LOCATION:

HDH, HA, BAARAH

CONTENTS: AS GIVEN

PROJECT MANAGER:

DESIGNER: ARIZ

CIV/STR. ENGINEER:

SURVEYED BY: -

DRAWN BY: ARIZ

CHECKED BY:

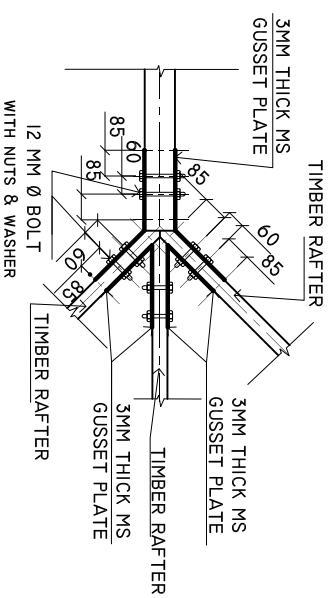
DATE : OCTOBER 2019

SHEET NO. : /

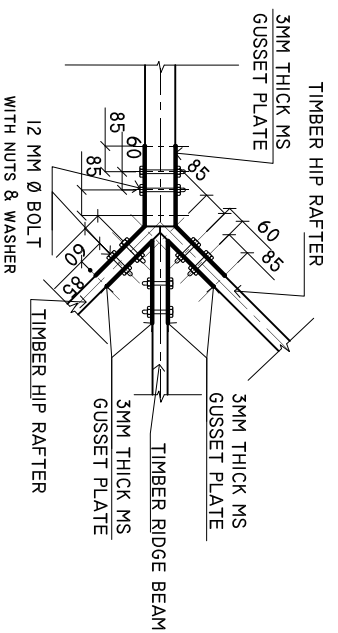


ADMIN DIVISION
Ministry of Health
Roshan-e-Building
Sasana Marg
Tel: 332 8887, Fax: 332 8889

DETAILS A1
SCALE: 1 : 25



DETAILS A2
SCALE: 1 : 25



SHEET CONTENTS :

REVISION NOTES:
REVISED ON 14, OCT 2019.

PROJECT:
CONSTRUCTION OF HA.
BAARAH HEALTH
CENTER EXTENSION

CLIENT:
MINISTRY OF HEALTH

LOCATION:
HDH, HA, BAARAH

CONTENTS: AS GIVEN

PROJECT MANAGER:

DESIGNER: ARIZ

CIV/STR. ENGINEER:

SURVEYED BY: -

DRAWN BY: ARIZ

CHECKED BY:

DATE : OCTOBER 2019

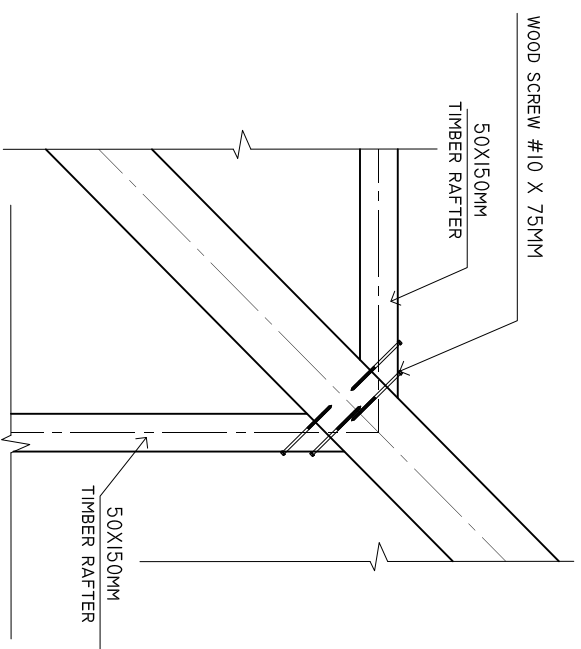
SHEET NO. : /



ADMIN DIVISION
Ministry of Health
Roshanra Building
Sasun Nagar
Tel: 332 8887, Fax: 3328889

HIP RAFTER CONNECTIO DETAIL

SCALE: 1 : 10



SHEET CONTENTS :

REVISION NOTES:

REVISED ON 14, OCT 2019.

PROJECT:

CONSTRUCTION OF HA.
BAARAH HEALTH
CENTER EXTENSION

CLIENT:

MINISTRY OF HEALTH

LOCATION:

HDH. HA. BAARAH

CONTENTS: AS GIVEN

PROJECT MANAGER:

DESIGNER: ARIZ

CV/STR. ENGINEER:

SURVEYED BY: -

DRAWN BY: ARIZ

CHECKED BY:

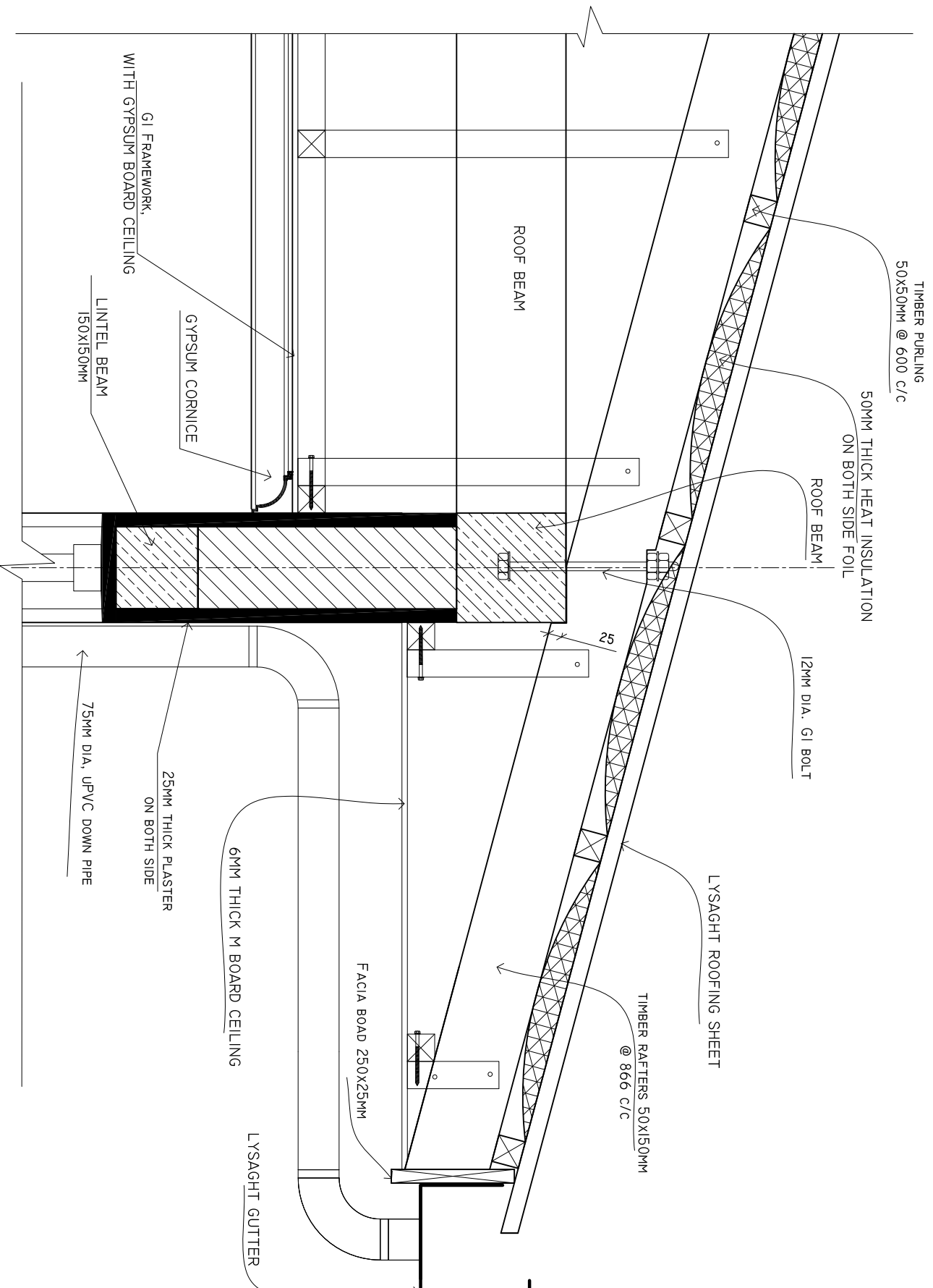
DATE : OCTOBER 2019

SHEET NO. : /



DETAIL A

SCALE: 1 : 10



SHEET CONTENTS :

REVISION NOTES:

REVISED ON 14, OCT 2019.

PROJECT:

CONSTRUCTION OF HA.
BAARAH HEALTH
CENTER EXTENSION

CLIENT:

MINISTRY OF HEALTH

LOCATION:

HDH, HA, BAARAH

CONTENTS: AS GIVEN

PROJECT MANAGER:

DESIGNER: ARIZ

CIV/STR. ENGINEER:

SURVEYED BY: -

DRAWN BY: ARIZ

CHECKED BY:

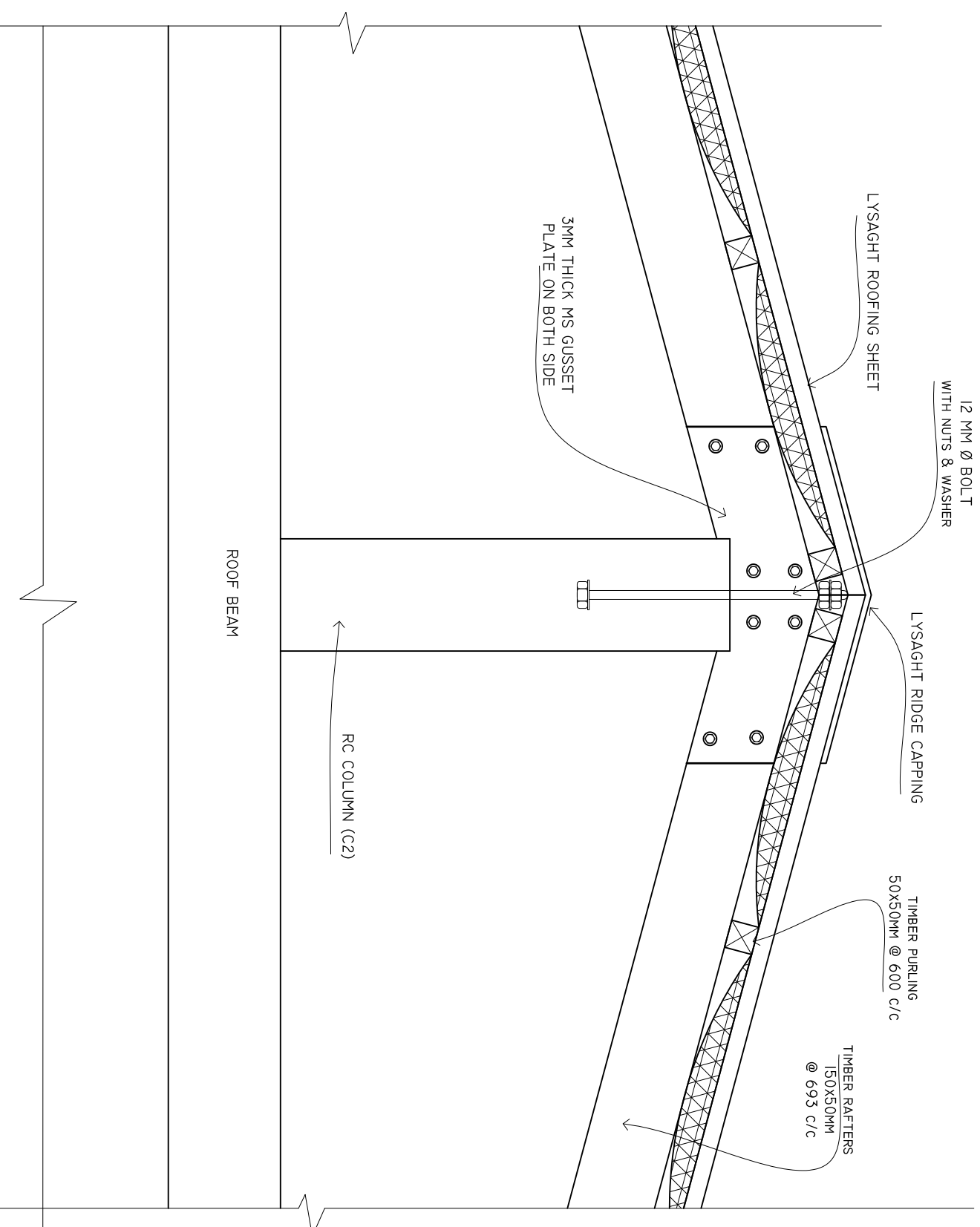
DATE : OCTOBER 2019

SHEET NO. : /



DETAIL B

SCALE: 1 : 10



SHEET CONTENTS :

REVISION NOTES:

REVISED ON 14, OCT 2019.

PROJECT:
CONSTRUCTION OF HA.
BAARAH HEALTH
CENTER EXTENSION

CLIENT:
MINISTRY OF HEALTH

LOCATION:
HDH, HA, BAARAH

CONTENTS: AS GIVEN

PROJECT MANAGER:

DESIGNER: ARIZ

CIV/STR. ENGINEER:

SURVEYED BY: -

DRAWN BY: ARIZ

CHECKED BY:

DATE : OCTOBER 2019

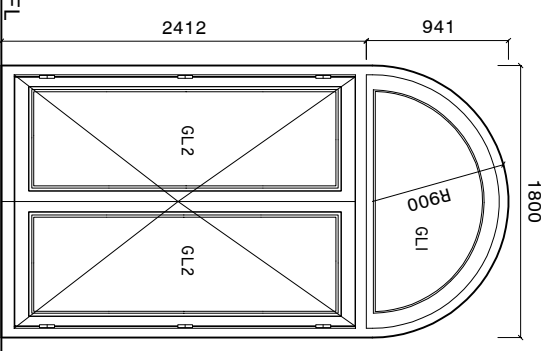
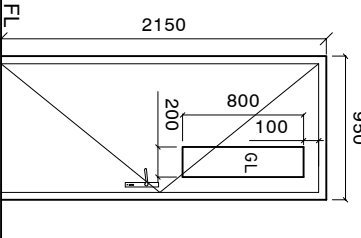
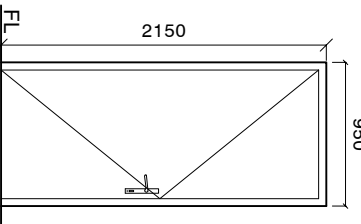
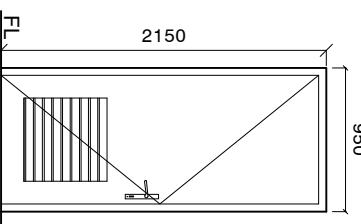
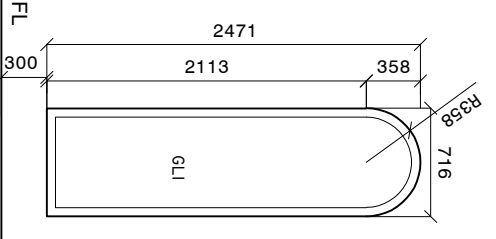
SHEET NO. : /

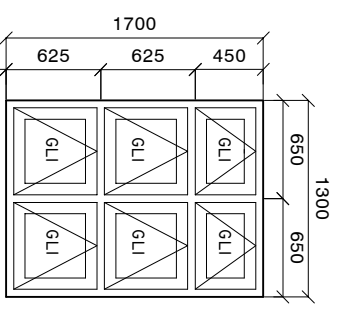
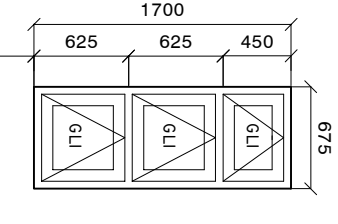
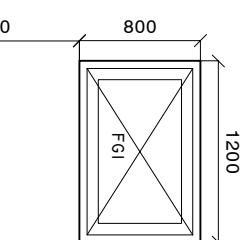
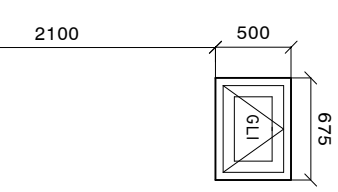


ADMIN DIVISION
Ministry of Health
Roshanae Building
Sasun Nagar
Tel: 332 8887, Fax: 3328889

DOORS AND WINDOWS SCHEDULE

Scale 1:50

SYMBOL	D1	D2	D3	D4	W1
ELEVATION					
LOCATION	GROUND FLOOR	GROUND FLOOR	GROUND FLOOR	GROUND FLOOR	GROUND FLOOR
DESCRIPTION	60MM THICK OPENABLE ALUMINIUM FRAMED DOOR	50MM THICK OPENABLE TIMBER FRAMED DOOR	50MM THICK OPENABLE ALUMINIUM FRAMED DOOR	50MM THICK OPENABLE TIMBER FRAMED DOOR	60MM THICK HEAT REFLECTIVE GLASS
FRAME	120MM ALUMINIUM FRAME	120MM TIMBER FRAME	120MM ALUMINIUM FRAME	120MM TIMBER FRAME	120MM ALUMINIUM FRAME
HARDWARE	80 MICRON WHITE POWDER COATED	80 MICRON WHITE POWDER COATED	80 MICRON WHITE POWDER COATED	80 MICRON WHITE POWDER COATED	80 MICRON WHITE POWDER COATED
GLAZING	DOOR CLOSER HANDLE LOCK BUTT HINGE STOPPER HOLDER KICKER	DOOR CLOSER HANDLE LOCK BUTT HINGE STOPPER HOLDER KICKER	DOOR CLOSER HANDLE LOCK BUTT HINGE STOPPER HOLDER KICKER	DOOR CLOSER HANDLE LOCK BUTT HINGE STOPPER HOLDER KICKER	OPENABLE FRAME HANDLE LOCK
NOTE	C-6MM ALL FIXED PANELS TO BE DOUBLE GLAZED ALL MEASUREMENTS TO BE CHECKED ON SITE	C-6MM ALL FIXED PANELS TO BE DOUBLE GLAZED ALL MEASUREMENTS TO BE CHECKED ON SITE	C-6MM ALL FIXED PANELS TO BE DOUBLE GLAZED ALL MEASUREMENTS TO BE CHECKED ON SITE	C-6MM ALL FIXED PANELS TO BE DOUBLE GLAZED ALL MEASUREMENTS TO BE CHECKED ON SITE	6MM THICK HEAT REFLECTIVE GLASS ALL MEASUREMENTS TO BE CHECKED ON SITE

SYMBOL	W2	W3	W4	V1
ELEVATION				
LOCATION	GROUND FLOOR	GROUND FLOOR	GROUND FLOOR	GROUND FLOOR
DESCRIPTION	ALUMINIUM FRAMED FIXER LOUVER WINDOW PANEL	ALUMINIUM FRAMED FIXER LOUVER WINDOW PANEL	ALUMINIUM FRAMED FIXER LOUVER WINDOW PANEL	ALUMINIUM FRAMED FIXER LOUVER WINDOW PANEL
FRAME	120MM ALUMINIUM FRAME	120MM ALUMINIUM FRAME	120MM ALUMINIUM FRAME	120MM ALUMINIUM FRAME
HARDWARE	80 MICRON WHITE POWDER COATED	80 MICRON WHITE POWDER COATED	80 MICRON WHITE POWDER COATED	80 MICRON WHITE POWDER COATED
GLAZING	OPENABLE FRAME HANDLE LOCK	OPENABLE FRAME HANDLE LOCK	OPENABLE FRAME HANDLE LOCK	OPENABLE FRAME HANDLE LOCK
NOTE	6MM THICK HEAT REFLECTIVE GLASS ALL MEASUREMENTS TO BE CHECKED ON SITE	6MM THICK HEAT REFLECTIVE GLASS ALL MEASUREMENTS TO BE CHECKED ON SITE	6MM THICK HEAT REFLECTIVE GLASS ALL MEASUREMENTS TO BE CHECKED ON SITE	6MM THICK HEAT REFLECTIVE GLASS ALL MEASUREMENTS TO BE CHECKED ON SITE

NOTE:

PROVIDE RC LINTEL ABOVE ALL DOOR/WINDOW/VENTILATOR UNITS NOT FIXED TO BEAMS
AND PROVIDE RC SILL BEAMS UNDER ALL WINDOW UNITS
ALL TIMBER DOORS TO BE MADE OF TIMBER, PUTTY SMOOTHED AND FINISHED WITH ENAMEL PAINT AS SPECIFIED

ALL MEASUREMENTS TO BE CHECKED ON SITE BEFORE FABRICATION
GL = 6MM THICK CLEAR GLASS
GL1 = 6MM THICK HEAT REFLECTIVE GLASS
GL2 = 10MM THICK HEAT REFLECTIVE GLASS WITH TEMPERED STICKER
FGI = 6MM THICK CLEAR GLASS

ALL THE ALUMINUM PROFILE MUST BE MINIMUM 2MM THICK.

SHEET CONTENTS :

REVISION NOTES:

PROJECT:

CONSTRUCTION OF OFFICE BLOCK

CLIENT:

MINISTRY OF HEALTH

LOCATION:

DIFFERENT ISLANDS

CONTENTS: AS GIVEN

PROJECT MANAGER:

DESIGNER: ARIZ

CIV/STR. ENGINEER:

SURVEYED BY: .

DRAWN BY: ARIZ

CHECKED BY:

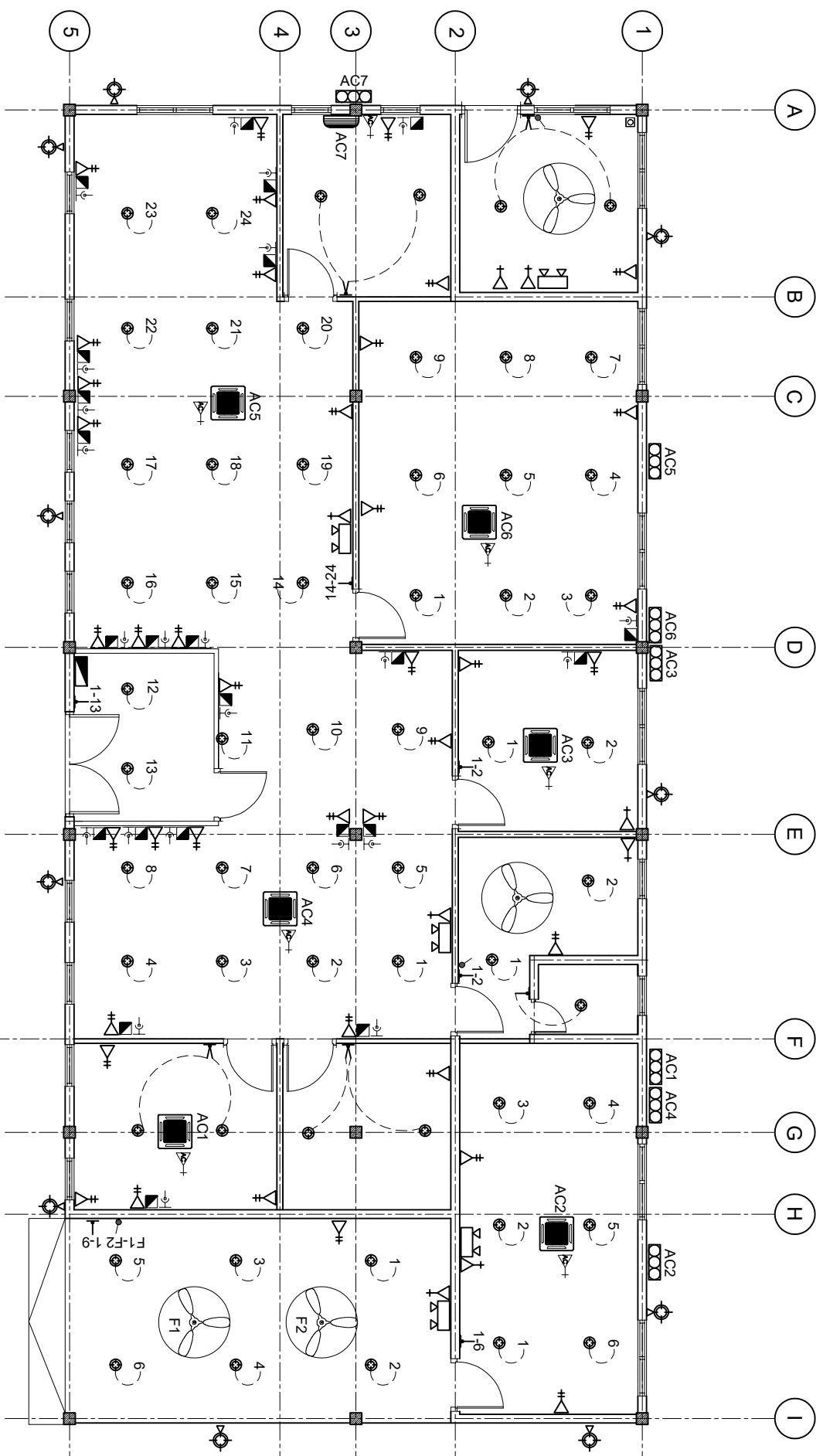
DATE : FEBRUARY 2020

SHEET NO. : /



ELECTRICAL LAYOUT

SCALE: 1 : 100



LEGEND

SYMBOL	DESCRIPTION
	LED BULB WITH 150MM DOWN LIGHT
	1 x 13 AMP SOCKET OUTLET (1600MM ABOVE FFL)
	2 x 13 AMP SOCKET OUTLET (600MM ABOVE FFL)
	1 x 15 AMP SOCKET OUTLET (600MM ABOVE FFL)
	1 x 15 AMP AC SOCKET OUTLET (300MM BLW, CEILING)
	TWO GANG SWITCH
	ONE WAY SWITCH
	EMERGENCY LIGHT
	DISTRIBUTION BOARD (WALL EMBEDDED)
	AC WALL MOUNT UNIT
	TELEPHONE SOCKET
	NETWORK SOCKET

LEGEND

SYMBOL	DESCRIPTION
	1 x 13 AMP SOCKET OUTLET (200MM BELOW CEILING)
	WALL MOUNT FAN
	FAN REGULATOR
	SW BULB WITH COVERED
	CEILING FAN 1200MM DIA.
	AC INDOOR UNIT, CEILING CASSETTE TYPE
	OUTDOOR LIGHT
	AC OUTDOOR UNIT

SHEET CONTENTS :

REVISION NOTES:

PROJECT:
CONSTRUCTION OF
OFFICE BLOCK

CLIENT:

MINISTRY OF HEALTH

LOCATION:
DIFFERENT ISLANDS

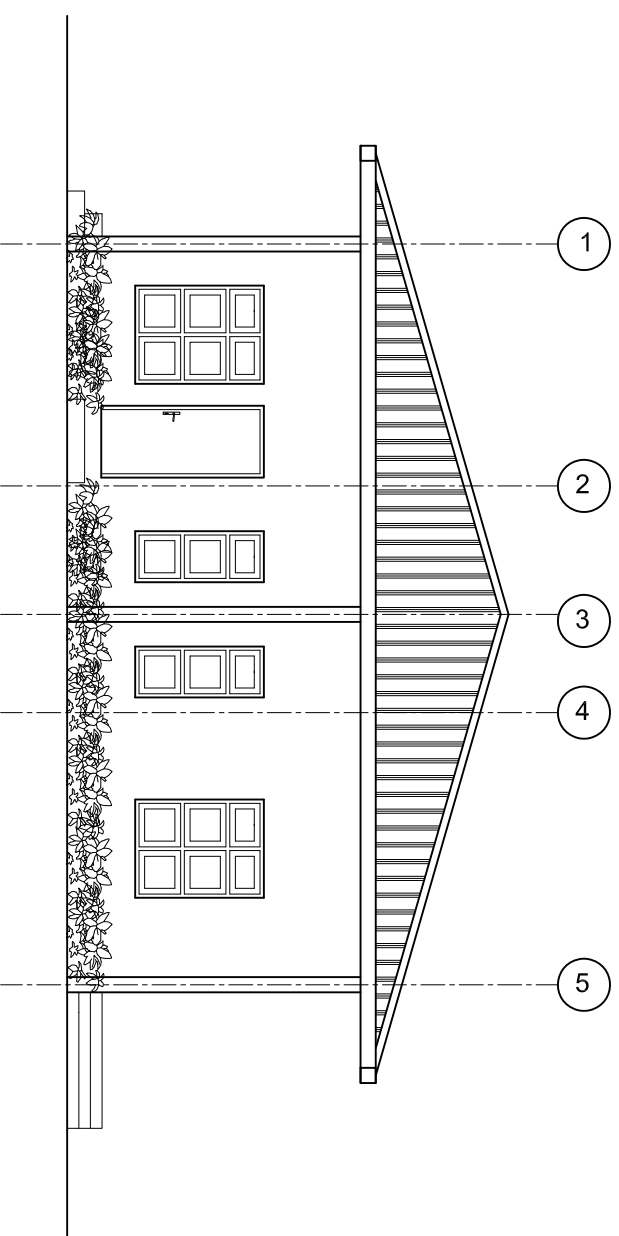
CONTENTS: AS GIVEN

PROJECT MANAGER:
DESIGNER: ARIZ
CIV/STR. ENGINEER:
SURVEYED BY: .
DRAWN BY: ARIZ
CHECKED BY:
DATE : FEBRUARY 2020
SHEET NO. : /



ELEVATION 'C'

SCALE: 1 : 100



SHEET CONTENTS :

REVISION NOTES:

REVISED ON 14, OCT 2019.

PROJECT:

CONSTRUCTION OF HA. BAARAH HEALTH CENTER EXTENSION

CLIENT:

MINISTRY OF HEALTH

LOCATION:

HDH. HA. BAARAH

CONTENTS: AS GIVEN

PROJECT MANAGER:

DESIGNER: ARIZ

CV/STR. ENGINEER:

SURVEYED BY: -

DRAWN BY: ARIZ

CHECKED BY:

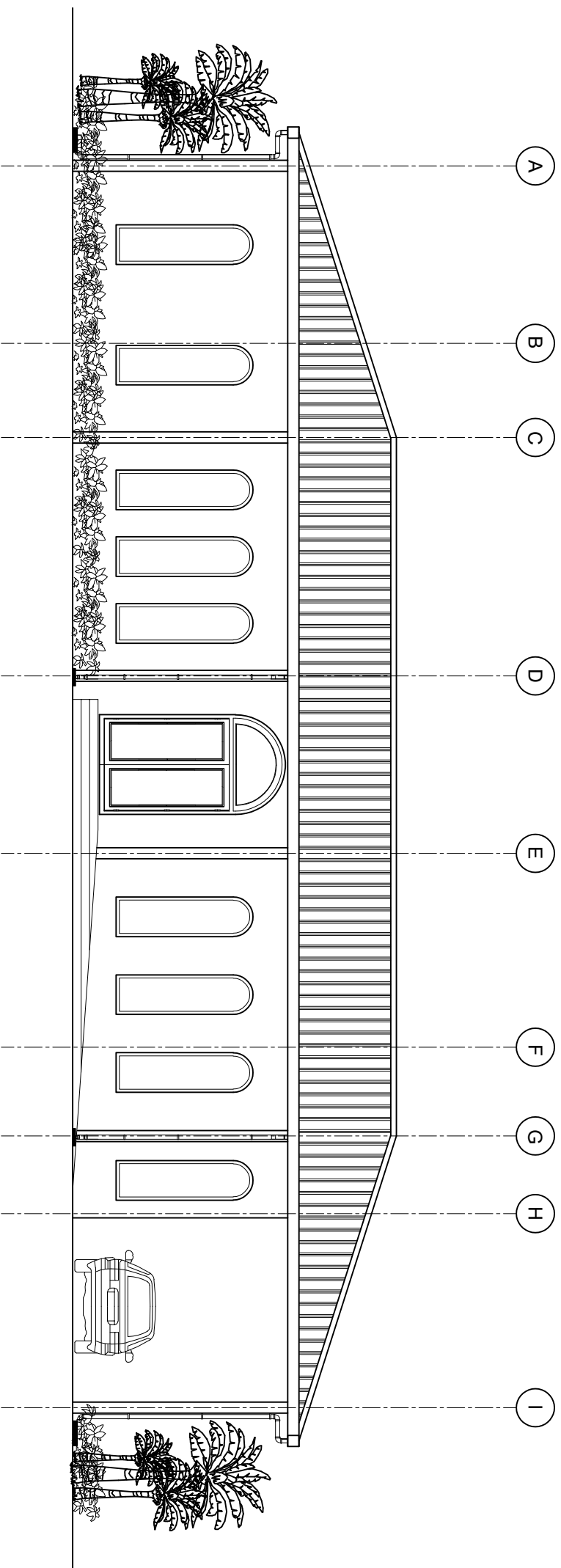
DATE : OCTOBER 2019

SHEET NO. : /



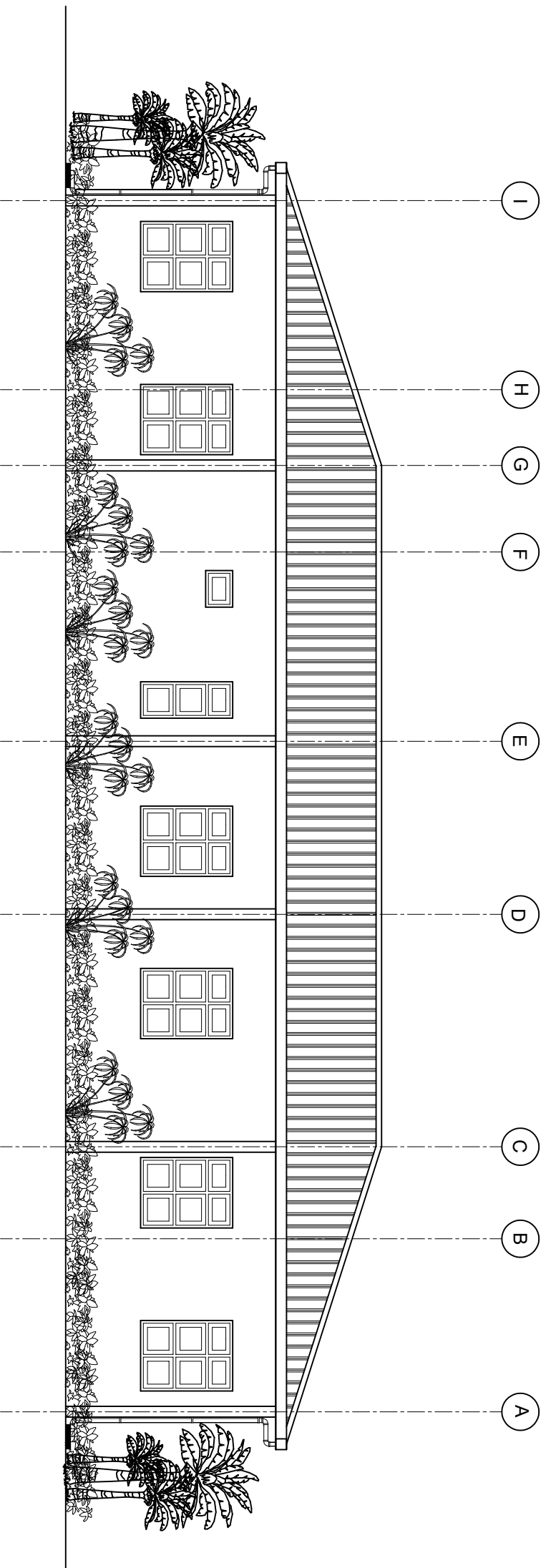
ELEVATION 'A'

SCALE: 1 : 100



ELEVATION 'B'

SCALE: 1 : 100



SHEET CONTENTS :

REVISION NOTES:

PROJECT:

CONSTRUCTION OF
OFFICE BLOCK

CLIENT:

MINISTRY OF HEALTH

LOCATION:

DIFFERENT ISLANDS

CONTENTS: AS GIVEN

PROJECT MANAGER:

DESIGNER: ARIZ

CIV/STR. ENGINEER:

SURVEYED BY: -

DRAWN BY: ARIZ

CHECKED BY:

DATE : FEBRUARY 2020

SHEET NO. : /

