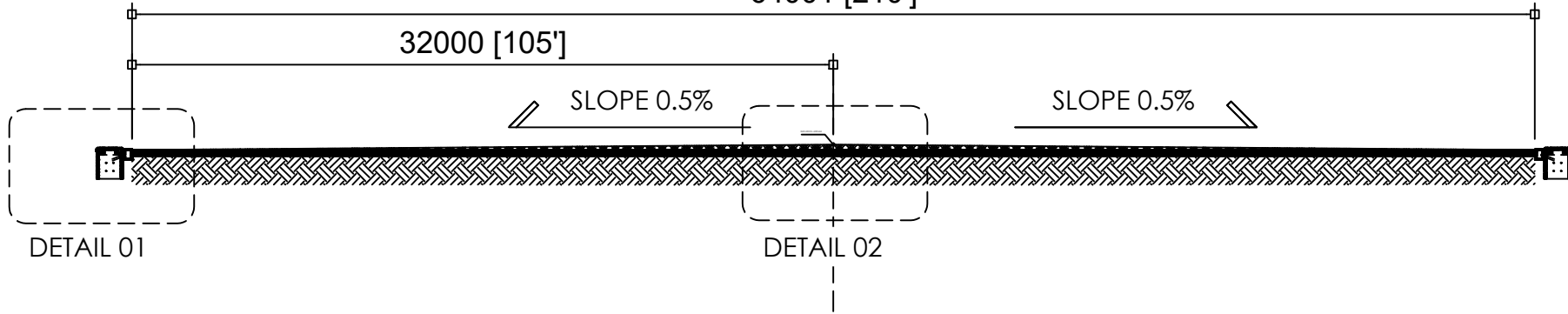


64001 [210']

32000 [105']

SLOPE 0.5%

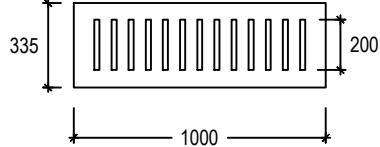
SLOPE 0.5%



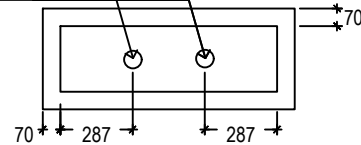
DETAIL 01

DETAIL 02

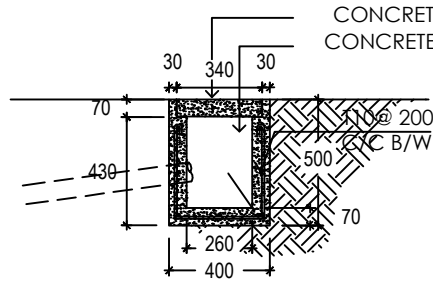
CONCRETE GUTTER TOP
FABRICATED WITH MASS CONCRETE



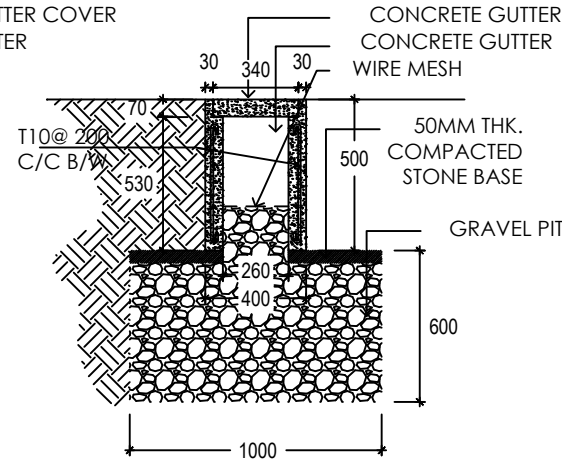
70mm DIA. DRAINAGE HOLES ON BOTTOM OF GUTTER - COVERED WITH WIRE MESH



CONCRETE GUTTER COVER
CONCRETE GUTTER

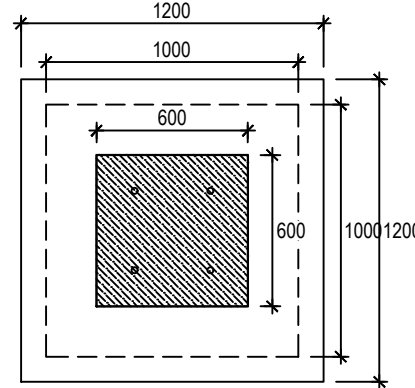
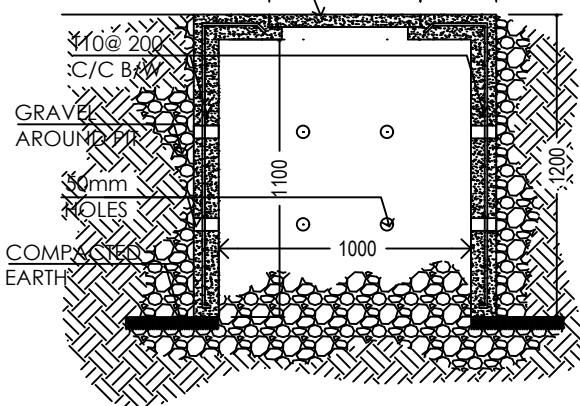


CONCRETE GUTTER COVER
CONCRETE GUTTER
WIRE MESH



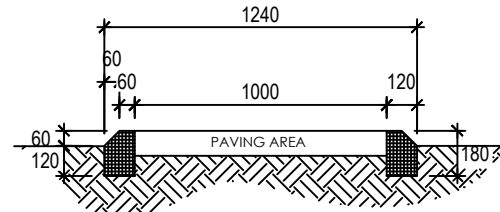
CONCRETE GUTTER
SECTION DETAIL

600X600 MANHOLE COVER



CONCRETE SOAK PIT/WELL
SECTION DETAIL

DRAINAGE OPTION 2
WHERE SOAK PIT AREA IS UNAVAILABLE



CURB STONE AND PAVING AREA
SECTION DETAIL

CLIENT:
MINISTRY OF YOUTH AND SPORTS

PROJECT:

AT FULL PITCH

DRAWN BY:
MS

SCALE:
AS GIVEN

DATE:
NOV 2019

PAGE NO.:
01 / 01

COMMENTS:

DO NOT MEASURE FROM THE DRAWING. FOLLOW DIMENSIONS GIVEN.

