

73000 [239'-6"]

36500 [119'-9"]

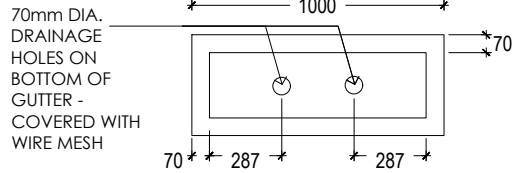
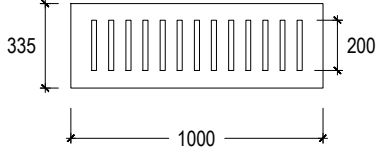
SLOPE 0.5%

SLOPE 0.5%

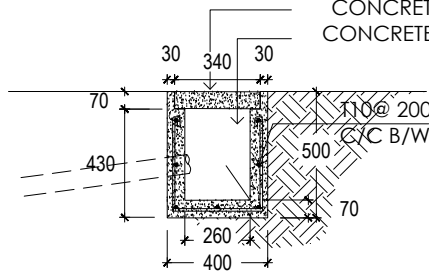
DETAIL 01

DETAIL 02

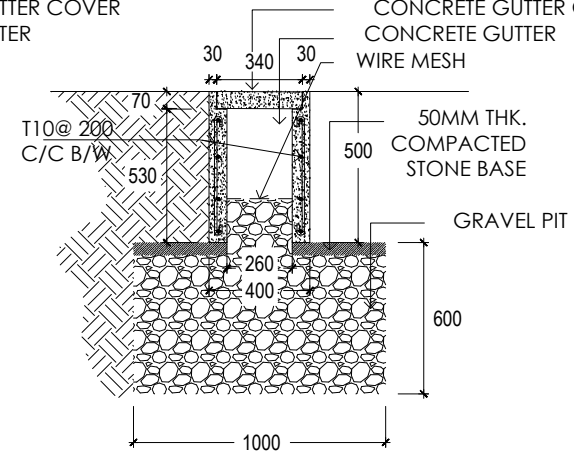
CONCRETE GUTTER TOP  
FABRICATED WITH MASS CONCRETE



CONCRETE GUTTER COVER  
CONCRETE GUTTER

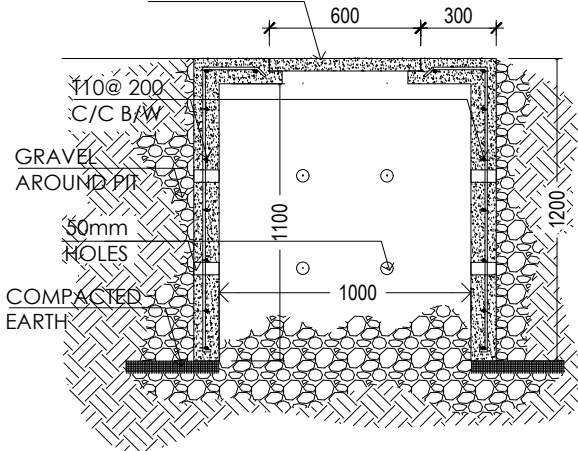


CONCRETE GUTTER COVER  
CONCRETE GUTTER  
WIRE MESH

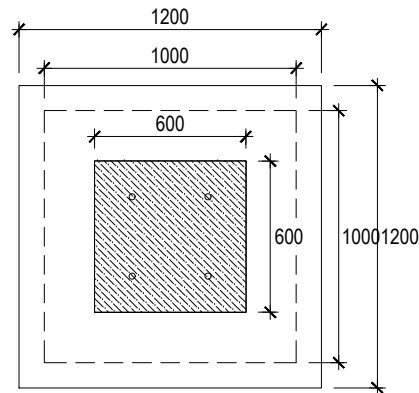


CONCRETE GUTTER  
SECTION DETAIL

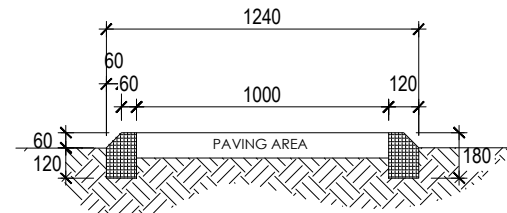
600X600 MANHOLE COVER



CONCRETE SOAK PIT/WELL  
SECTION DETAIL



DRAINAGE OPTION 2  
WHERE SOAK PIT AREA IS UNAVAILABLE



CURB STONE AND PAVING AREA  
SECTION DETAIL