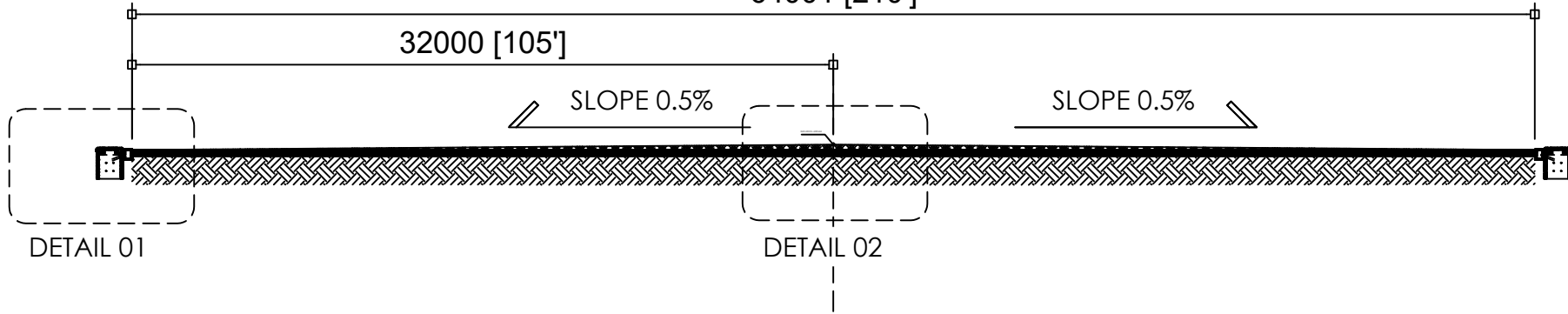


64001 [210']

32000 [105']

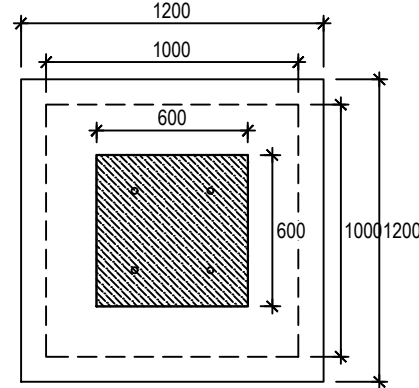
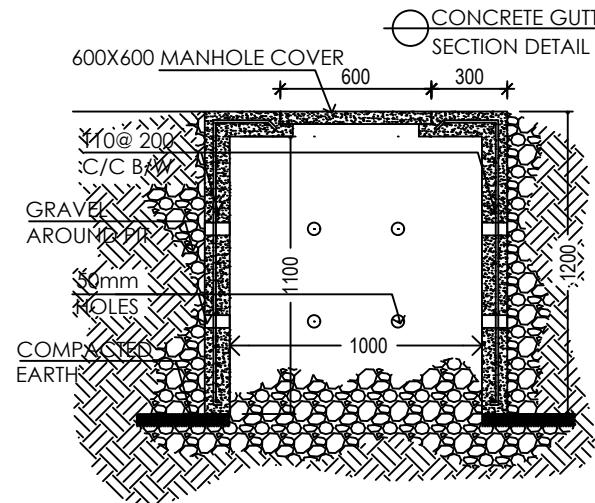
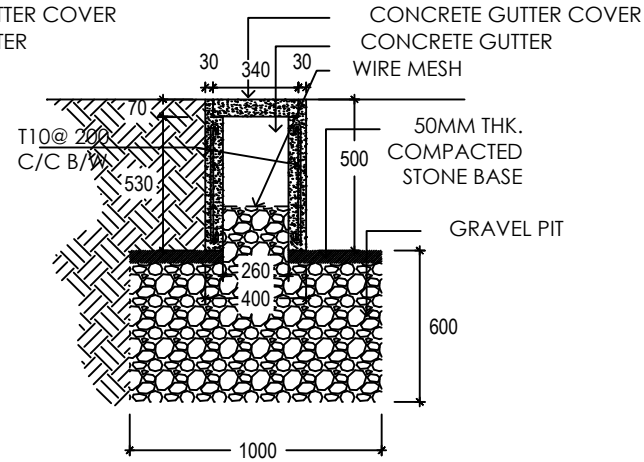
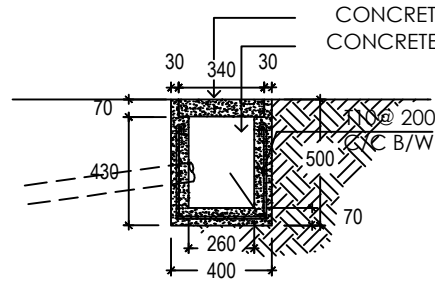
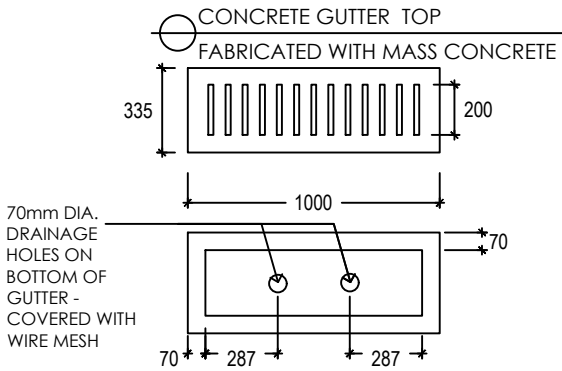
SLOPE 0.5%

SLOPE 0.5%



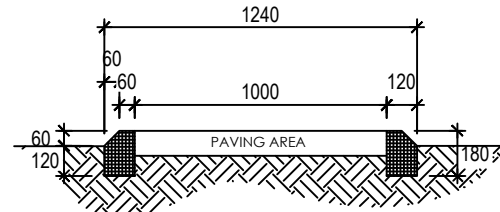
DETAIL 01

DETAIL 02



CONCRETE SOAK PIT/WELL SECTION DETAIL

DRAINAGE OPTION 2 WHERE SOAK PIT AREA IS UNAVAILABLE



CURB STONE AND PAVING AREA SECTION DETAIL

CLIENT:  
MINISTRY OF YOUTH AND SPORTS

PROJECT:

AT FULL PITCH

DRAWN BY:  
MS

SCALE:  
AS GIVEN

DATE:  
NOV 2019

PAGE NO.:  
01 / 01

COMMENTS:

DO NOT MEASURE FROM THE DRAWING. FOLLOW DIMENSIONS GIVEN.

