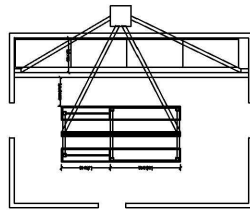
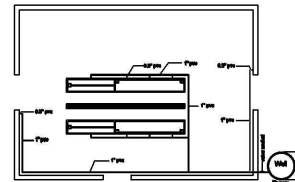


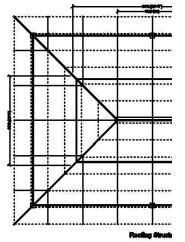
Water Diagram



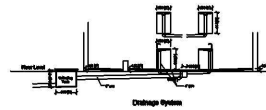
Drainage System 2



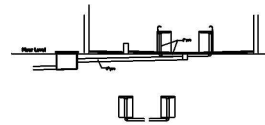
Water Box

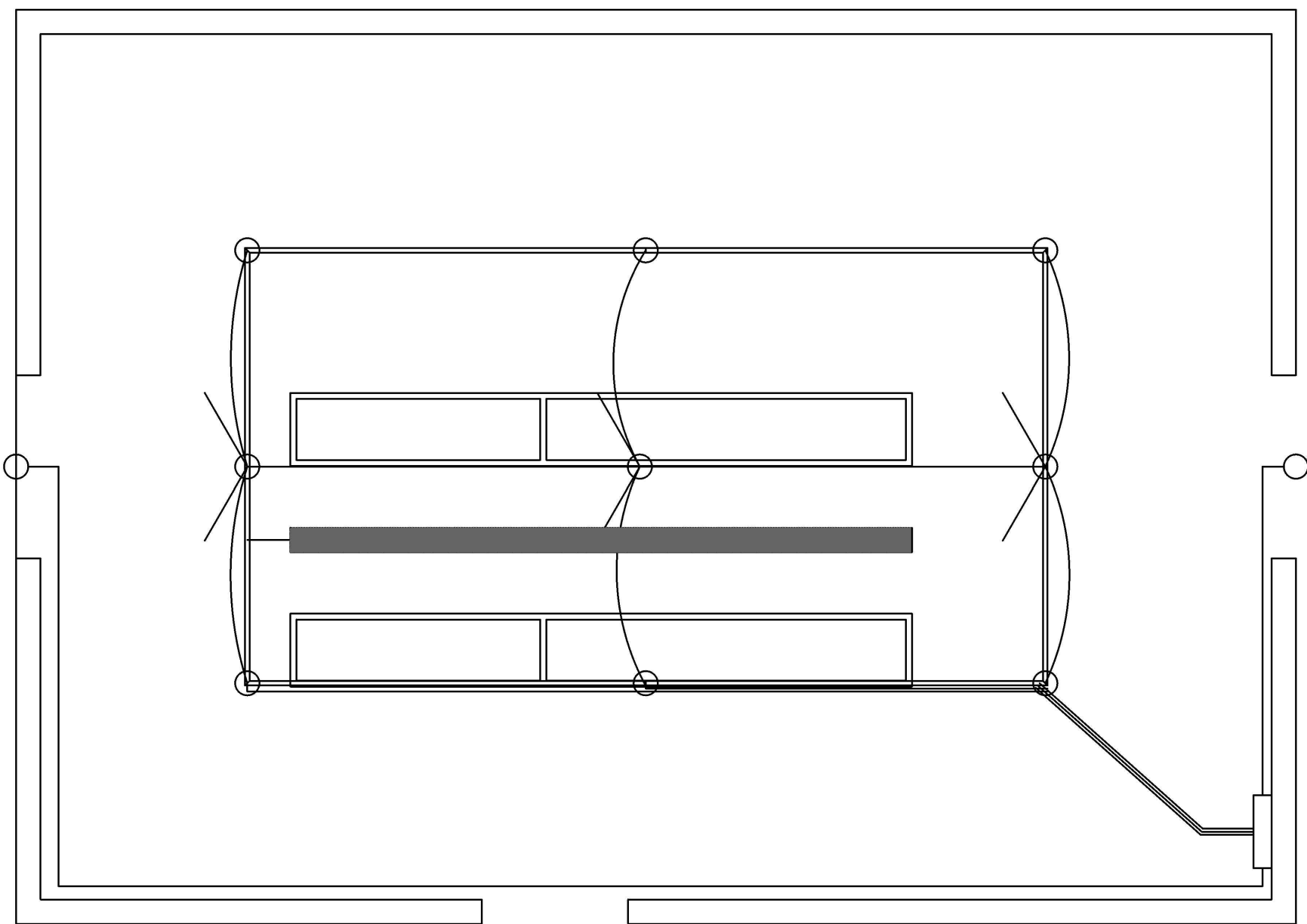


Drainage System

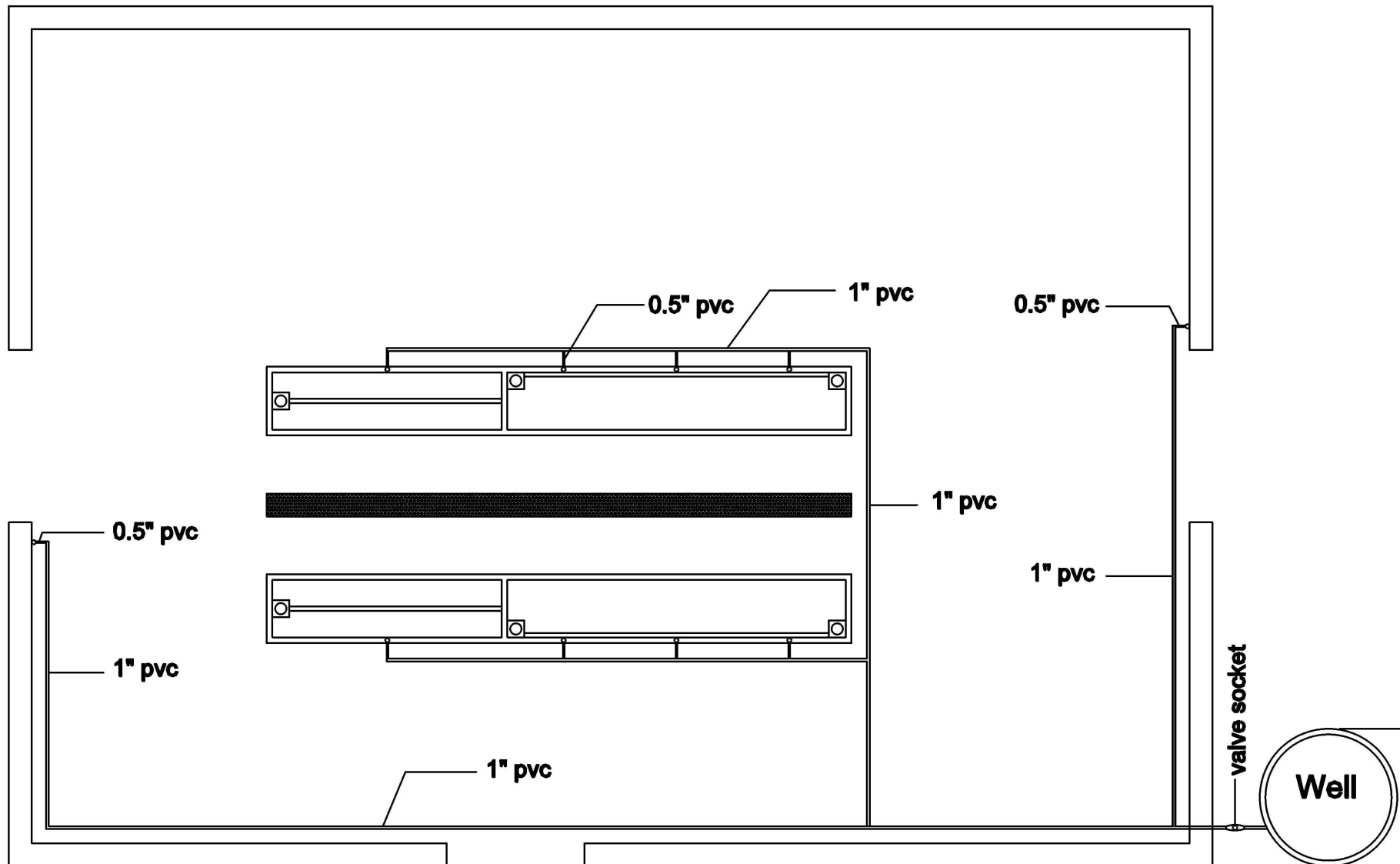


Drainage System





Wiring Diagram



Water line

Well

Pump

valve socket

0.5" pvc

1" pvc

0.5" pvc

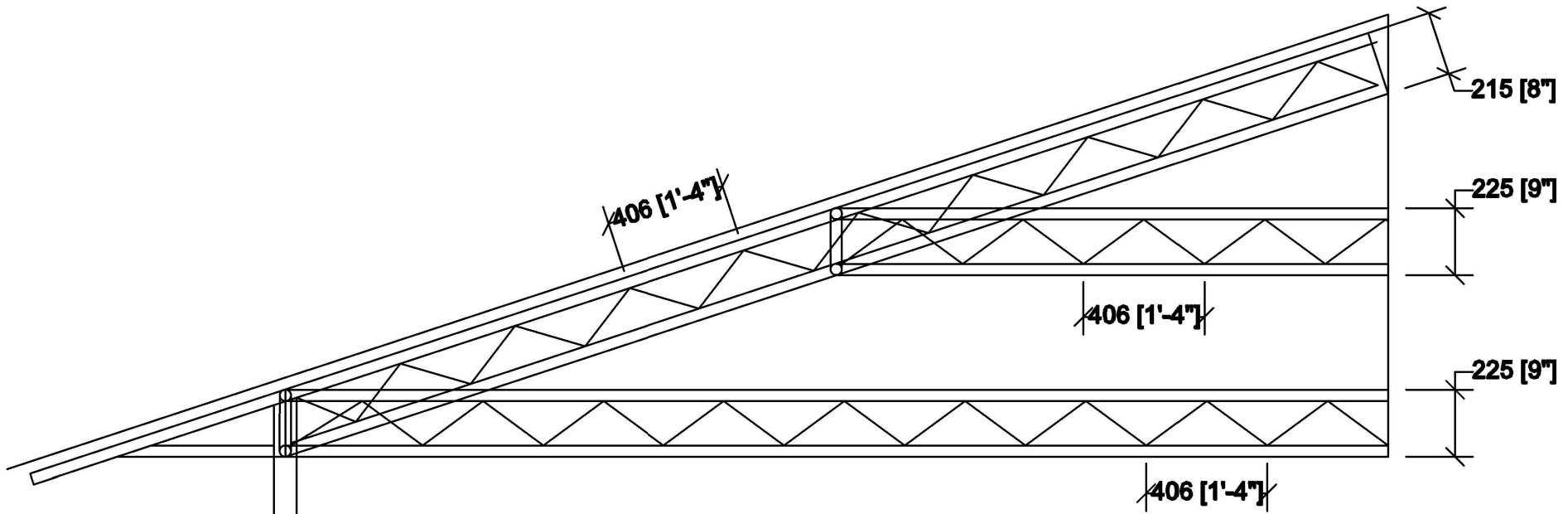
1" pvc

1" pvc

0.5" pvc

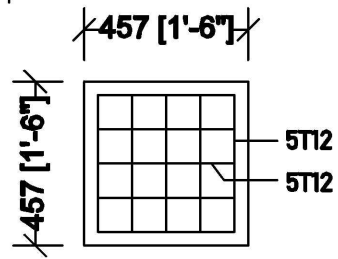
1" pvc

1" pvc

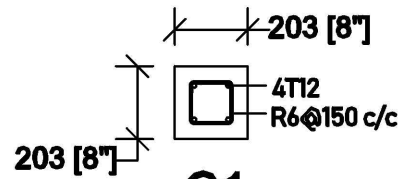


Truss detail (All)

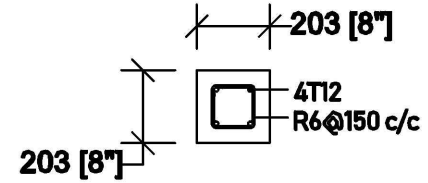
Top chord 1.5" GI pipe
 Bottom chord 1.5" GI pipe
 Web 0.5" GI pipe



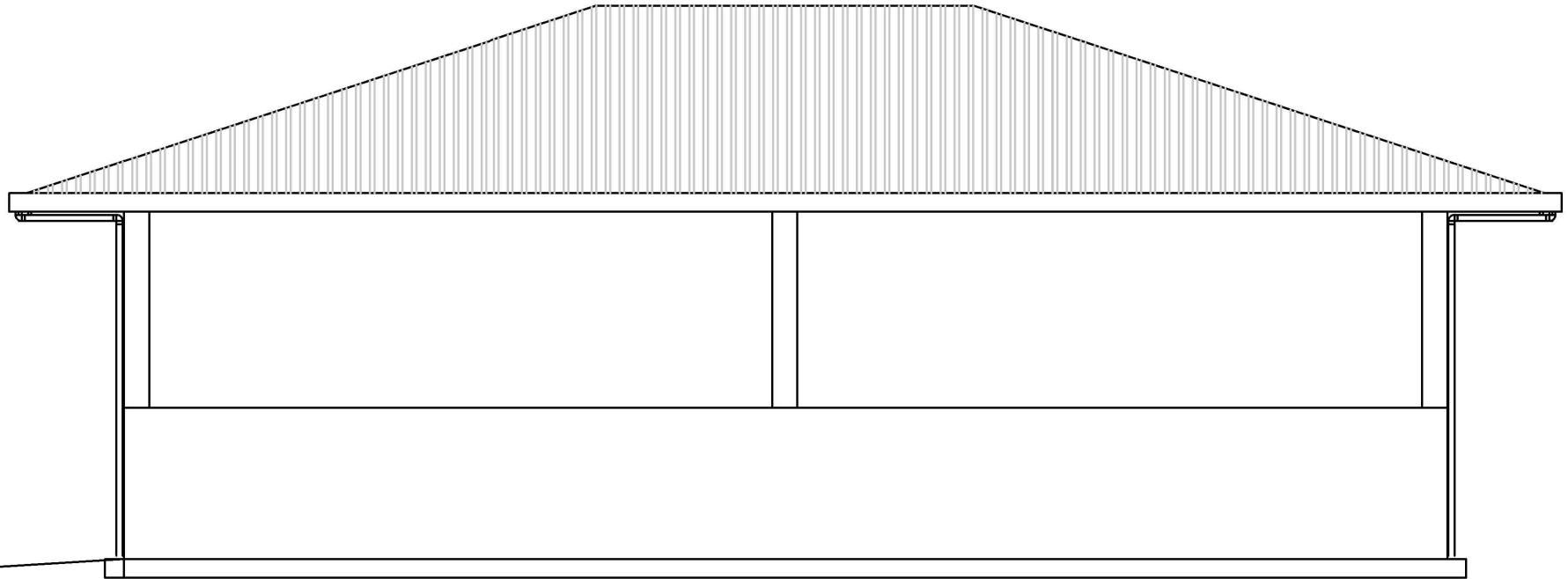
F1



C1



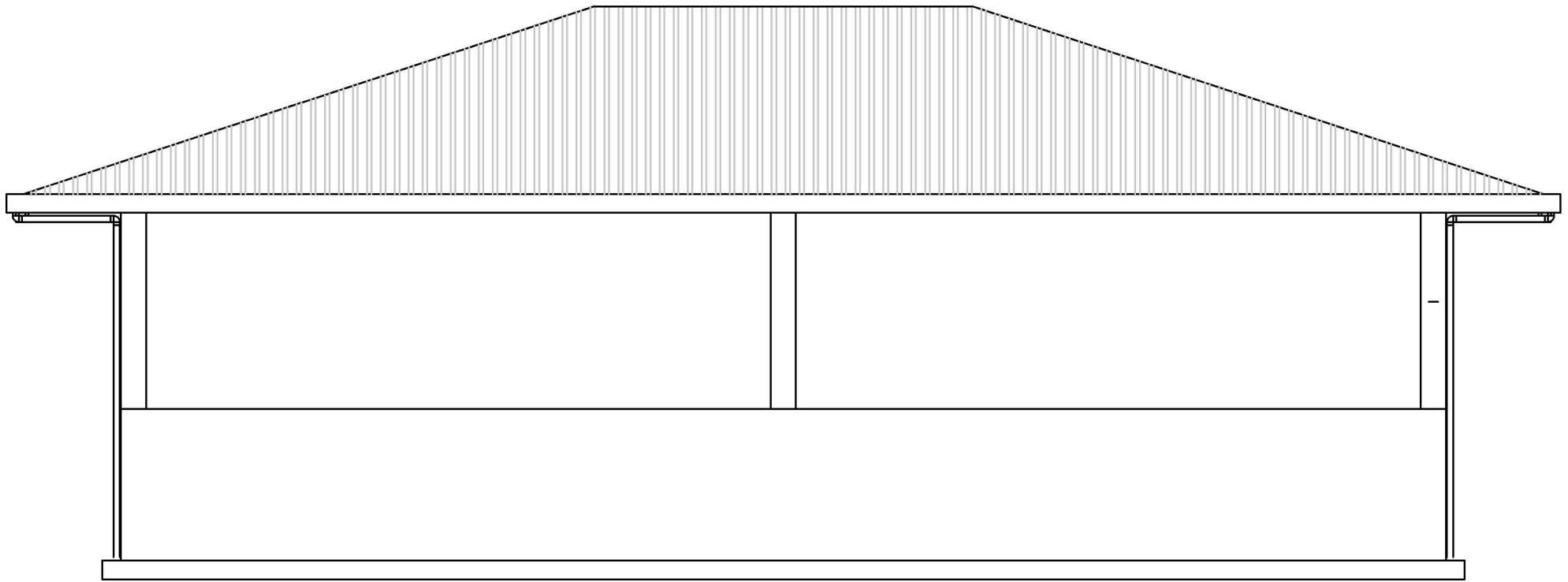
B1



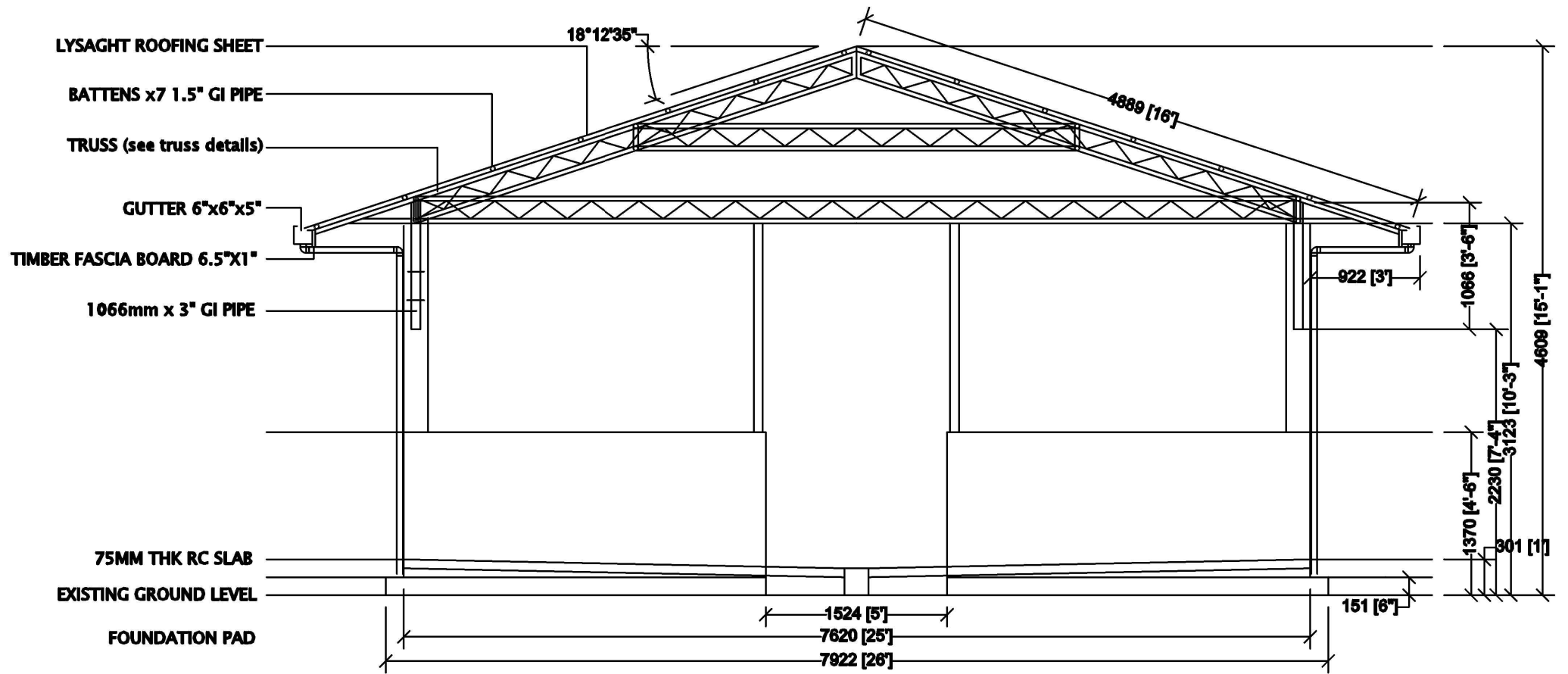
1219 [4]

Side view north

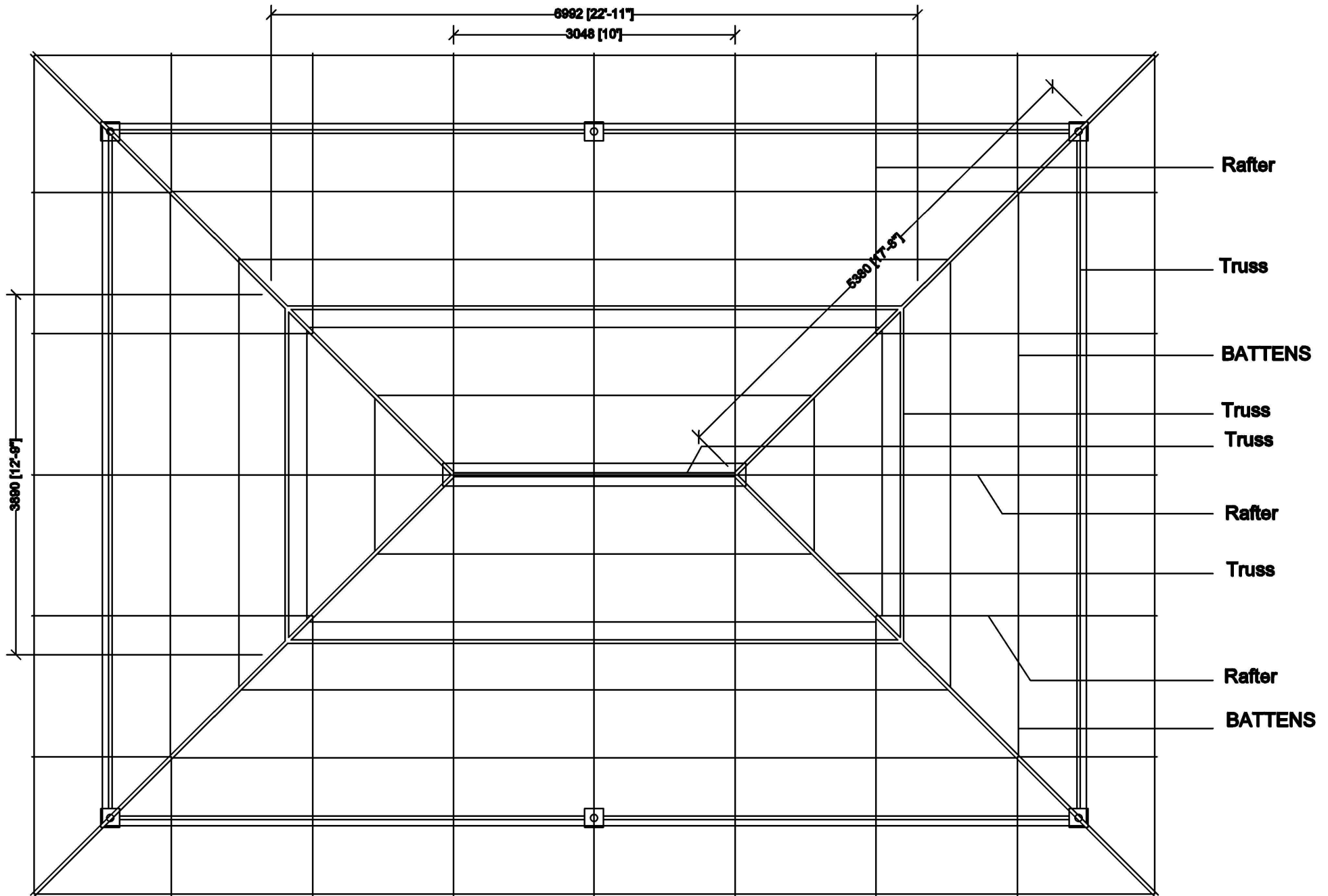
Sheet Pile wall



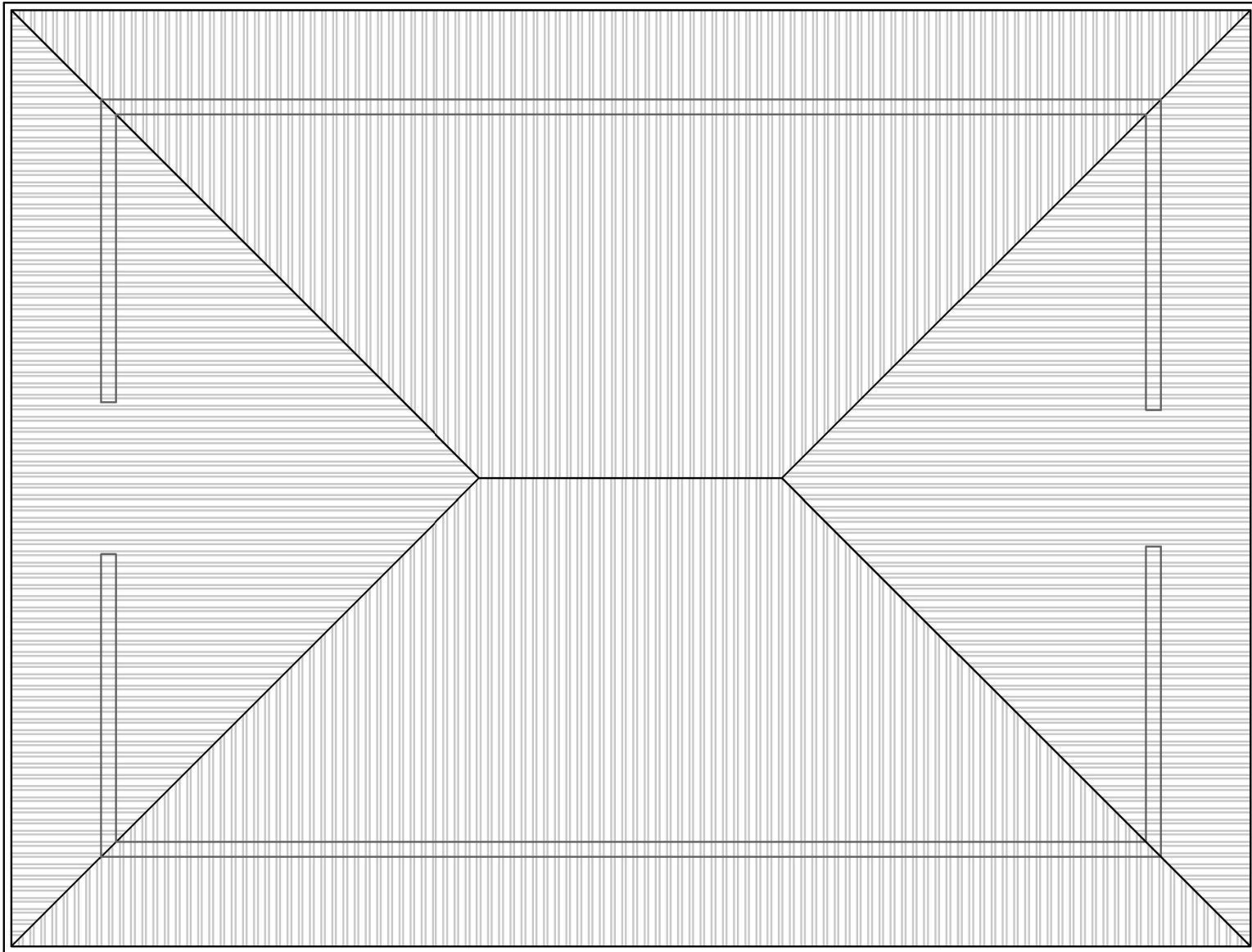
Side view north



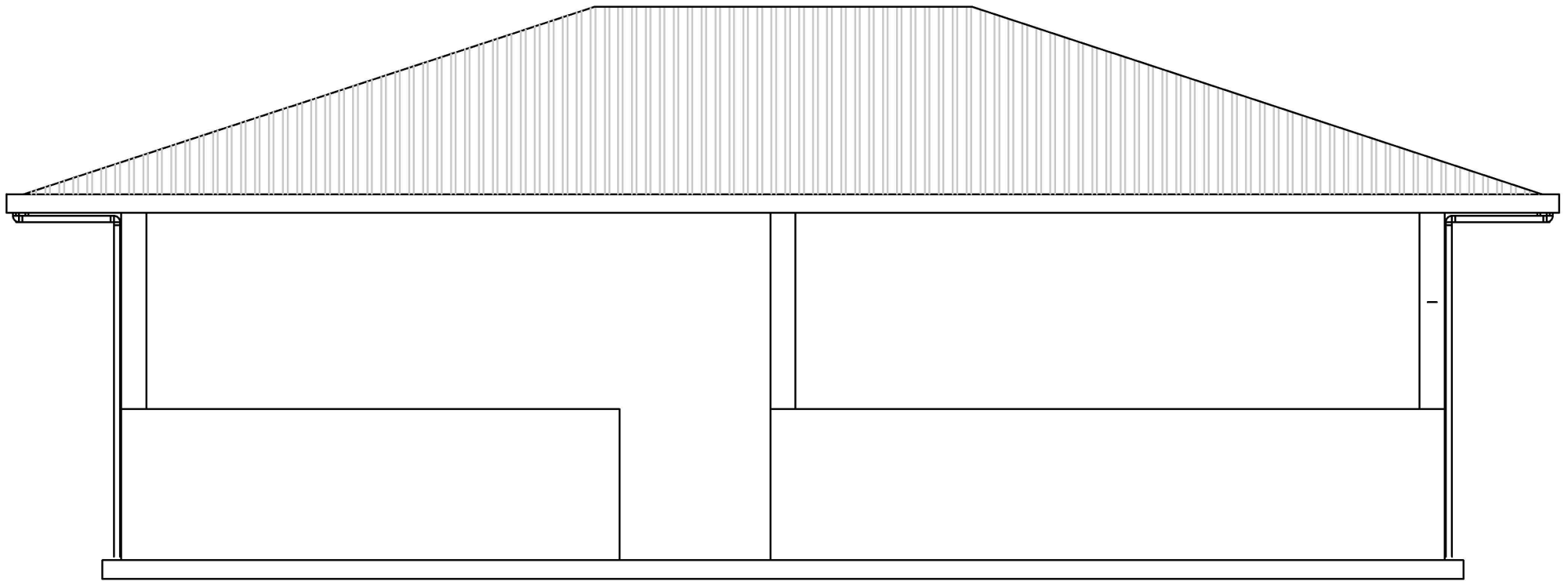
SECTION X-X



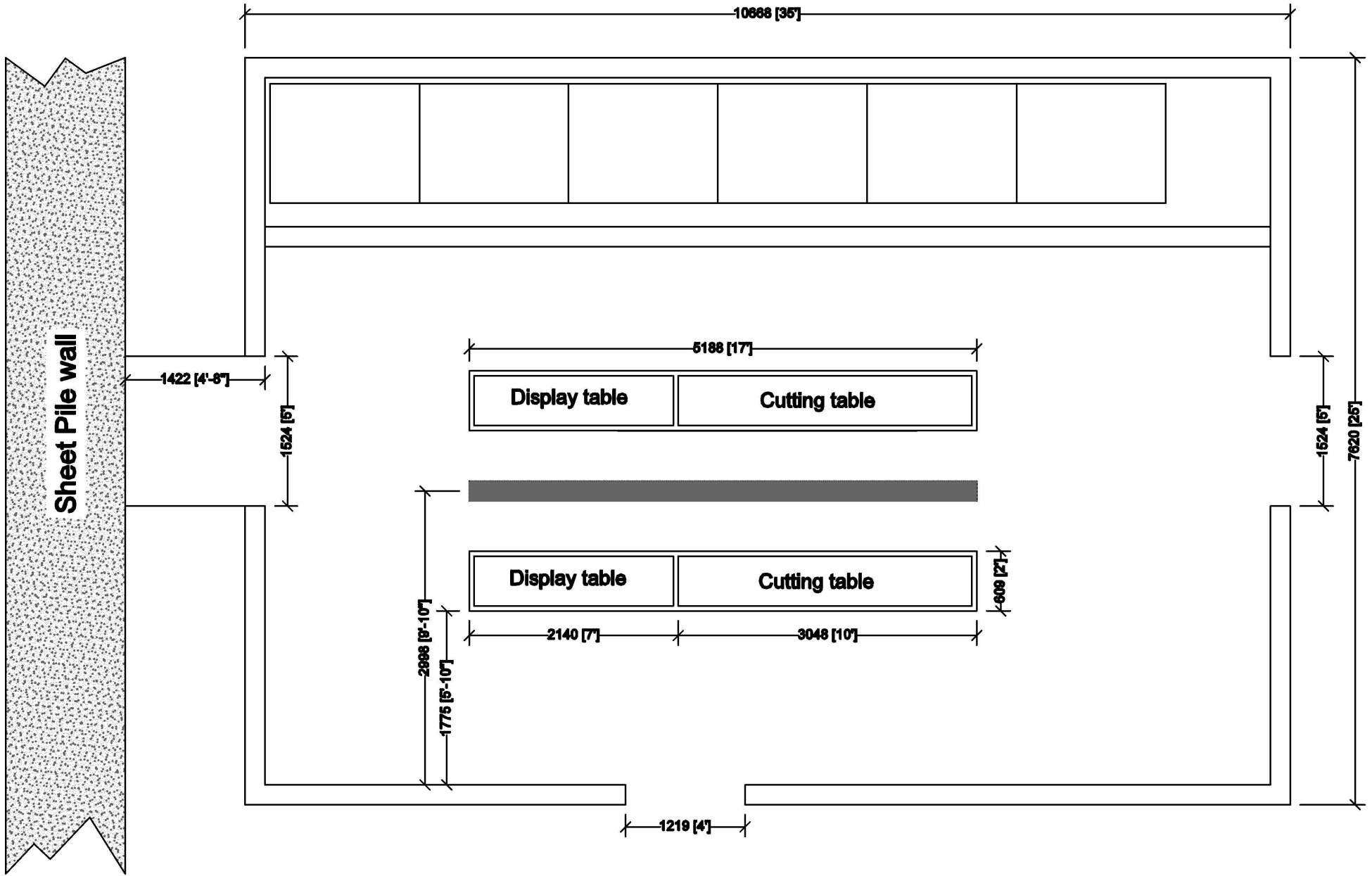
Roofing Structure



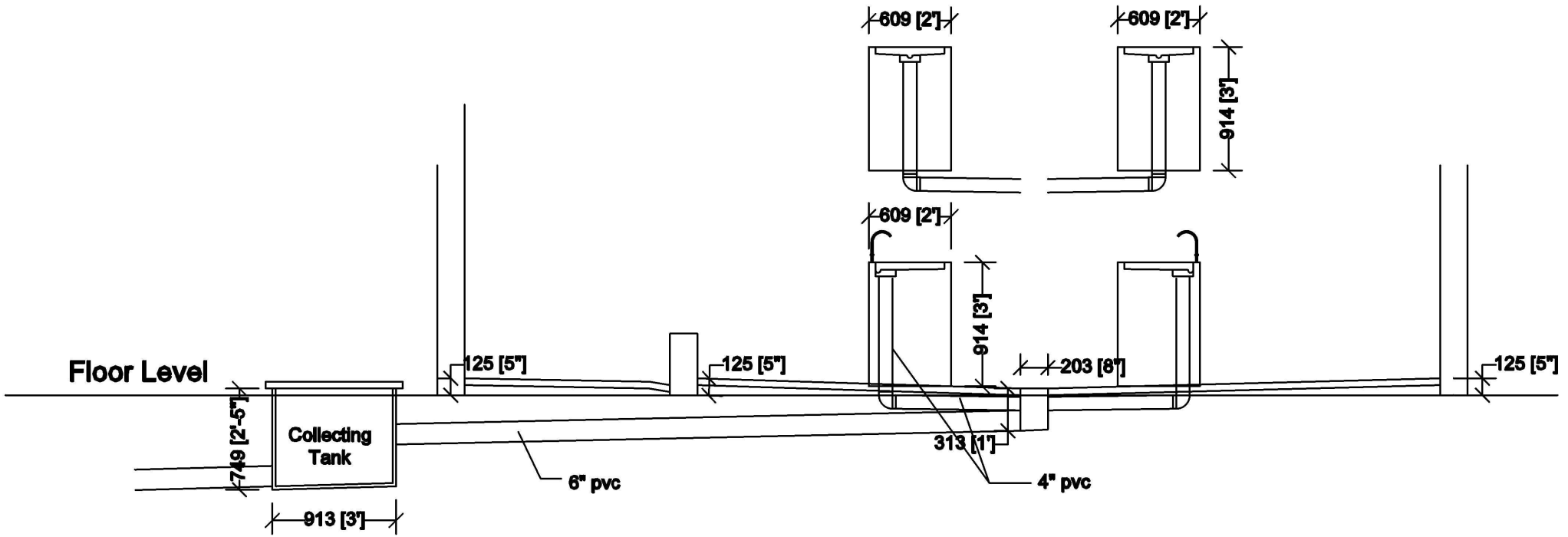
Roof Plan



Side view south



Floor Plan



Drainage System