

Proposed Safe Room  
(Single Storey)

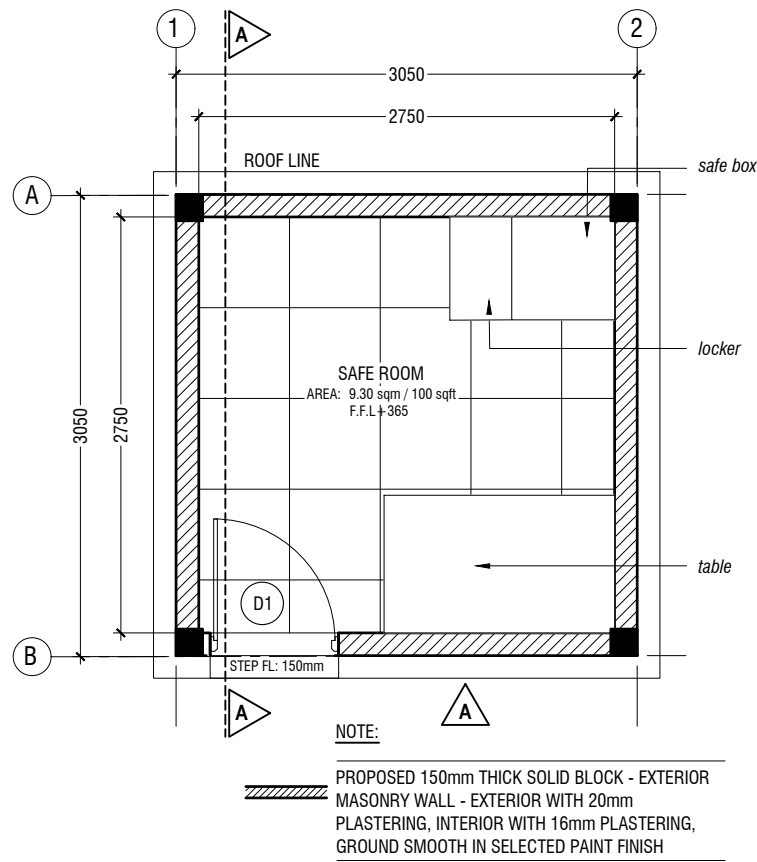
*ARCHITECTURAL & STRUCTURAL DRAWINGS*

Client: Ministry of Education



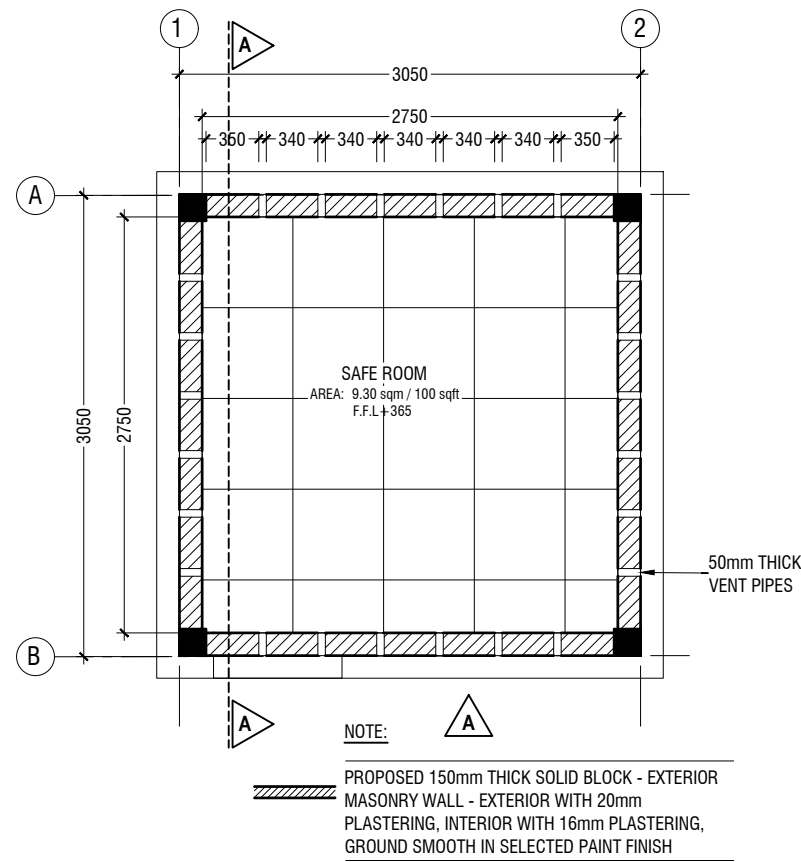
RIYAN PRIVATE LIMITED

t: +9603315049 f: +9603310776  
e: info@riyan.com.mv  
w: www.riyan.com.mv  
3rd floor, H. Azum, Ameenemagu, Male'



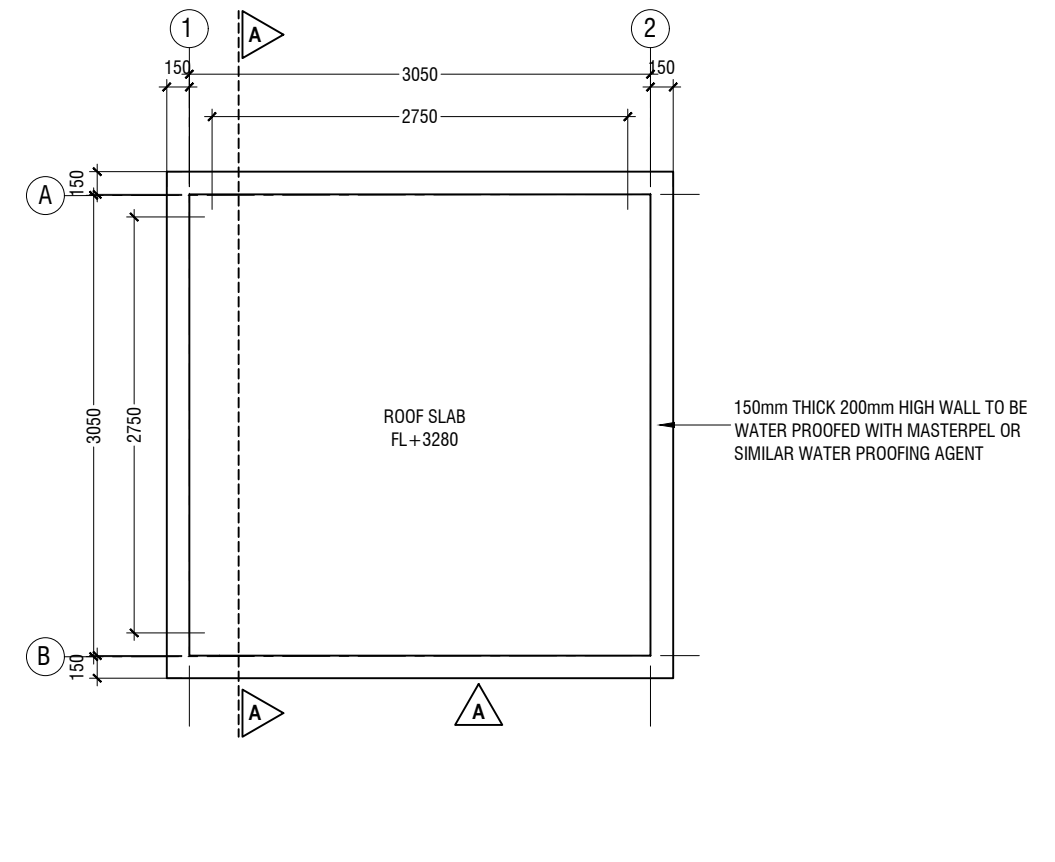
### SECURE ROOM - PLAN

SCALE 1:50



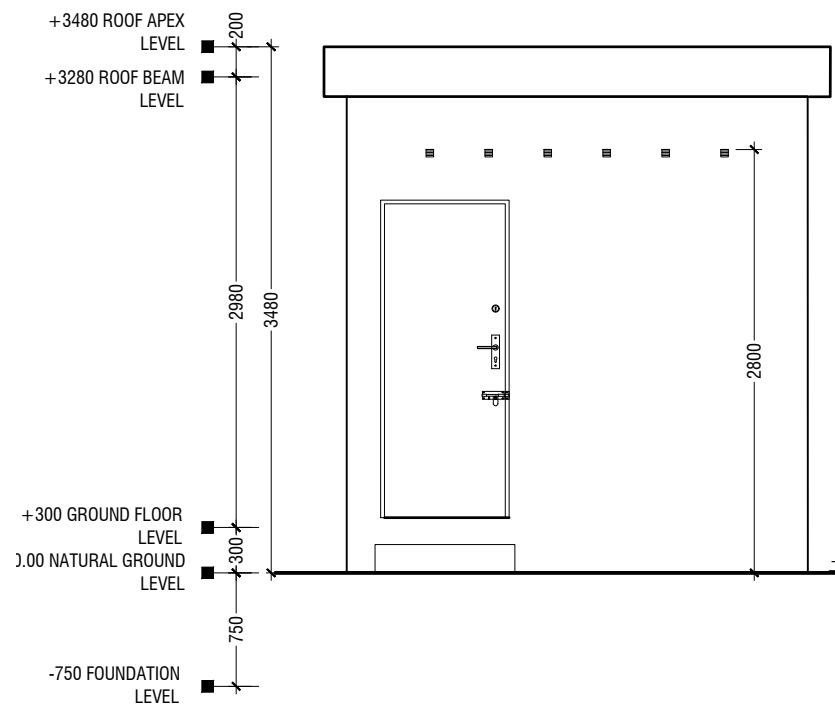
### VENT PIPE- PLAN (+2800)

SCALE 1:50



### SECURE ROOM - PLAN

SCALE 1:50

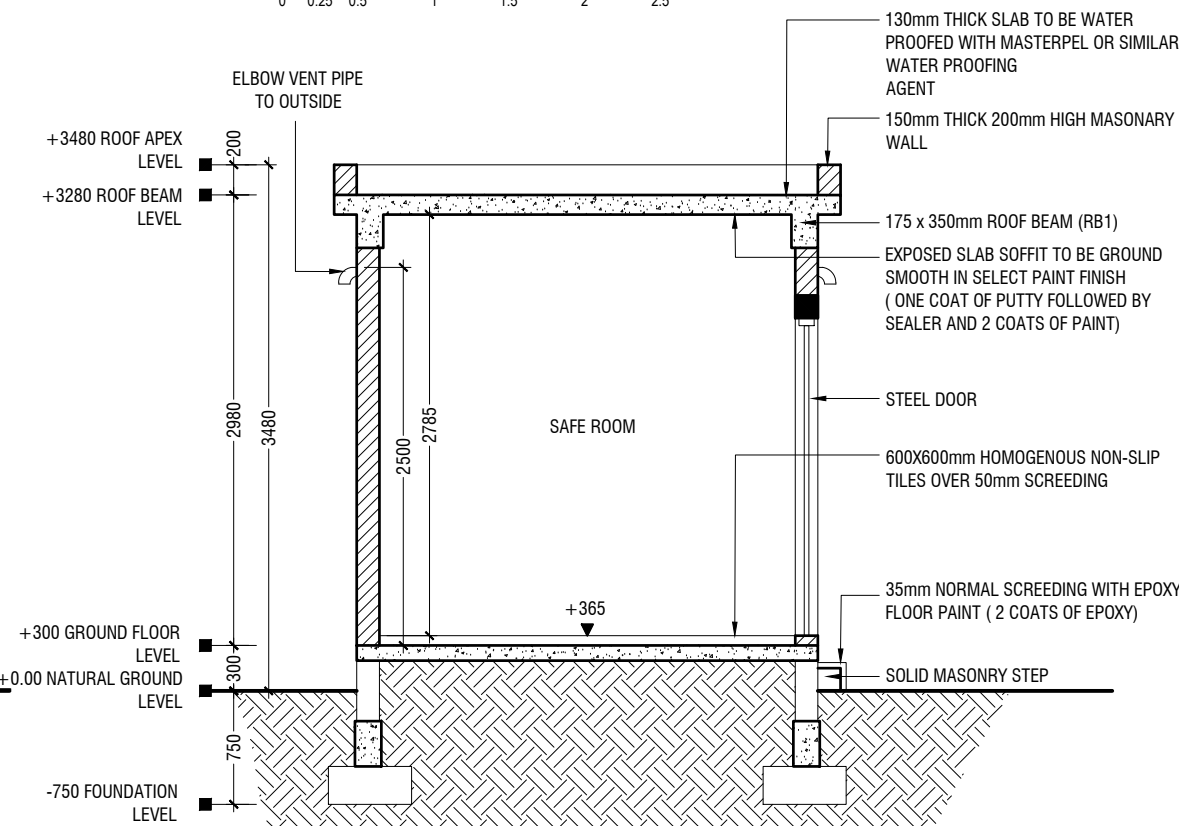


### ELEVATION A- A

SCALE 1:50

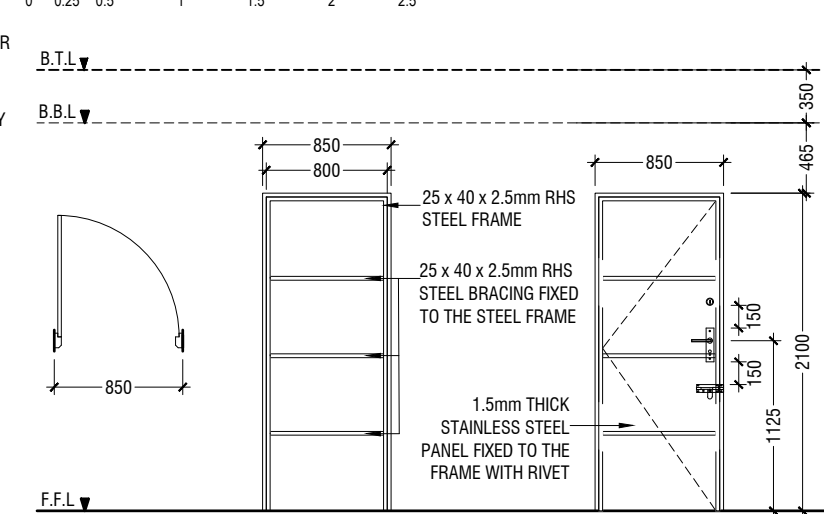
### SECURE ROOM

SCALE 1:50



### SECTION A- A

SCALE 1:50



D1	SWING DOOR
REMARKS	25 x 40 x 2.5mm RHS THICK STEEL FRAMED WITH STEEL PANEL STEEL DOUBLE LOCK, BIRD LOCK AND PAD LOCK
LOCATION	SECURE ROOM
QUANTITY	01 NOS
OPEN AREA	1.66 sqm

### DOOR SCHEDULE

SCALE 1:50

### SAFE ROOM (Single Story)

Project Number: RI/2017/012  
 Date: February 2021  
 Architect: Mariyam Irasha  
 Engineer: Mohamed Muhtalib Waleed  
 Drawn by: Mariyam Leevan Jaleel  
 Services: Aishath Ahmed  
 Interior: -

Rev no	Date
-	-
-	-
-	-

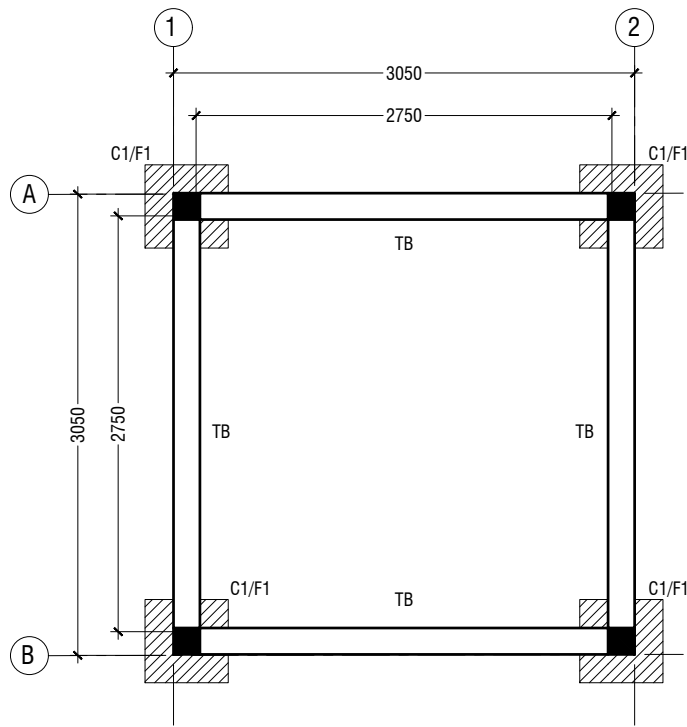


RYAN PRIVATE LIMITED

t: +9603315049 f: +9603310776  
 e: info@ryan.com.mv  
 w: www.ryan.com.mv  
 3rd floor, H. Azum, Ameenemagu, Malé

Title: Architectural Details

Page: A-01/01



NOTE:

**COLUMN SIZES**

C1 : 175x175 mm  
COVER : 40mm

**FOUNDATION PAD SIZES**

	DIMENSION	REINFORCEMENT
F1	550 x 550 x 250	T10@150 C/C B/W (B)

FOUNDATION DEPTH : 750mm BELOW GROUND LEVEL

ALL FOOTINGS ARE TO BE LAID ON TOP OF 50mm THICK LEAN CONCRETE  
APPLY WATER PROOFING TO SUBSTRUCTURE (BELOW GROUND ELEMENTS)

**TIE BEAM SIZES**

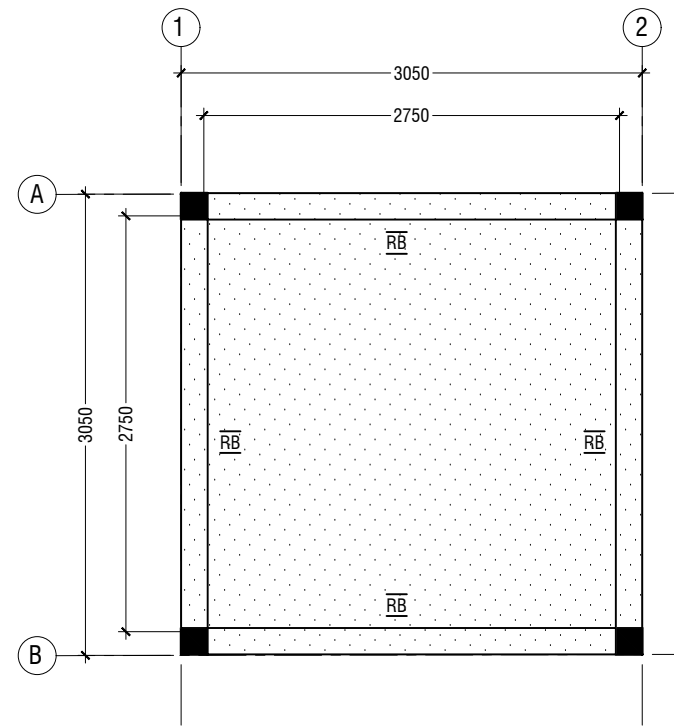
TB : 175x300 mm  
COVER : 50mm

GROUND SLAB : 100MM THICK CONCRETE SLAB,  
R6@ 200 C/C BW SINGLE LAYER

GRADE OF CONCRETE M25

**FOUNDATION - PLAN**

SCALE 1:50



NOTE

SLAB THICKNESS - 130 mm

T10@175 C/C BW T&B

**ROOF BEAM & SLAB PLAN**

SCALE 1:50

	DIMENSION (LxBxD)	REINFORCEMENT
F1	550 x 550 x 250	T10@150 C/C B/W (B)

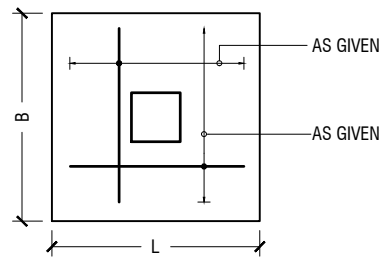
FOUNDATION DEPTH = 750mm

NOTE:-

COVER TO FOUNDATION = 50mm  
COVER TO COLUMNS = 40mm  
COVER TO BEAMS = 35mm

GRADE OF CONCRETE M25

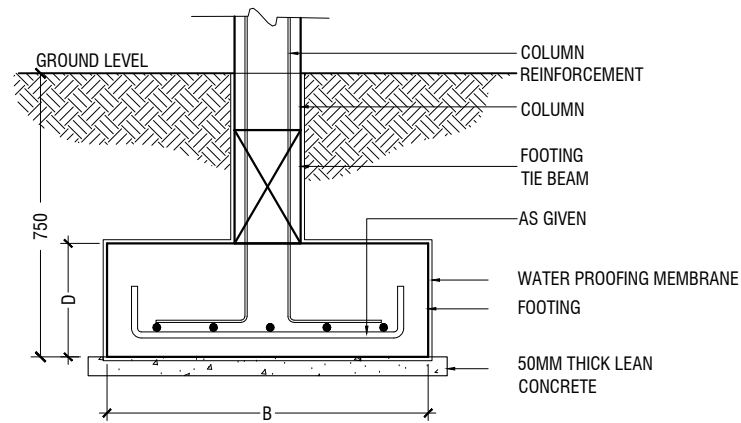
**FOUNDATION PADS**



**PLAN**

**STRUCTURAL DETAILS**

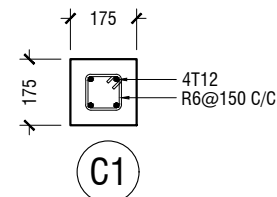
SCALE 1:20



**SECTION**

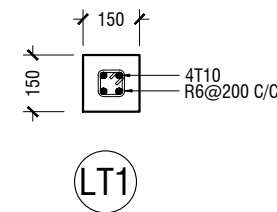
**FOOTING DETAILS**

SCALE 1:20



**COLUMN DETAILS**

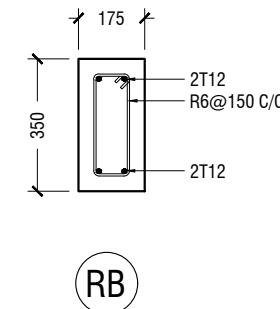
SCALE 1:20



\*LINTEL OVER DOOR

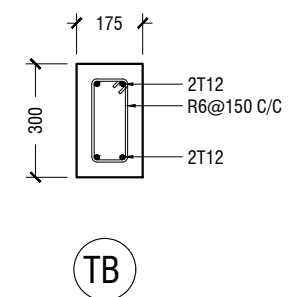
**LINTEL/SILL BEAM DETAIL**

SCALE 1:20



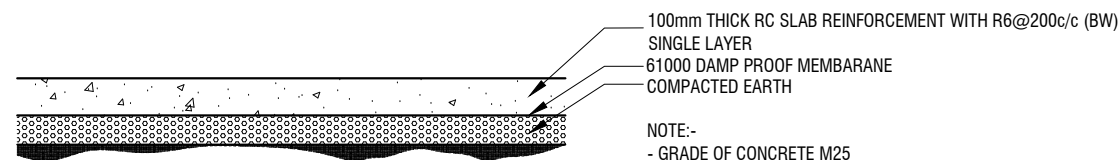
**ROOF BEAM DETAIL**

SCALE 1:20



**FOUNDATION DETAILS**

SCALE 1:20



**GROUND SLAB DETAIL**

SCALE 1:20

NOTE:-

- GRADE OF CONCRETE M25  
- PROPER WATER PROOFING SHALL BE APPLIED TO ALL UNDERGROUND STRUCTURES ( TO CONSULTANTS SPECIFICATIONS)  
-BACKFILLING SHALL BE DONE AS PER TECHNICAL SPECIFICATIONS

Rev no	Date
1	
2	
3	
4	

Project Number: RV/2017/012  
Date: February 2021  
Architect: Mariyam Irasha  
Engineer: Mohamed Muththalib Waleed  
Drawn by: Mariyam Leevan Jaleel  
Services: Alishah Ahmed  
Interior: -

**SAFE ROOM (Single Story)**

**RIYAN PRIVATE LIMITED**  
t : +963315049 f : +963310776  
e : info@riyan.com.mv  
w : www.riyan.com.mv  
3rd floor, H. Azum, Ameenemagu, Male'

Title: Structural Details

Page: S-01/01

The contents of these drawings remain as a property of Riyan Private Limited. Any use other than those expressly stated is a violation of this copyright.

Proposed Safe Room  
(Single Storey)

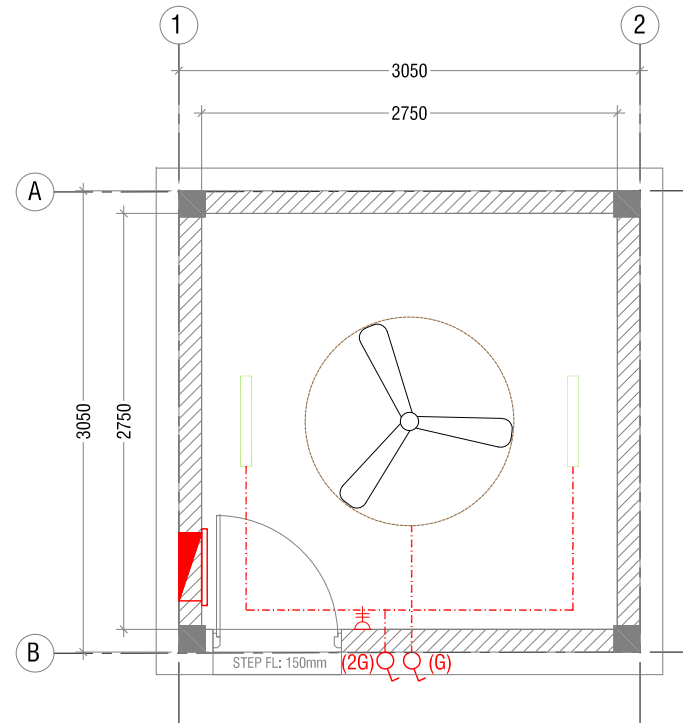
*SERVICES DRAWINGS*

Client: Ministry of Education



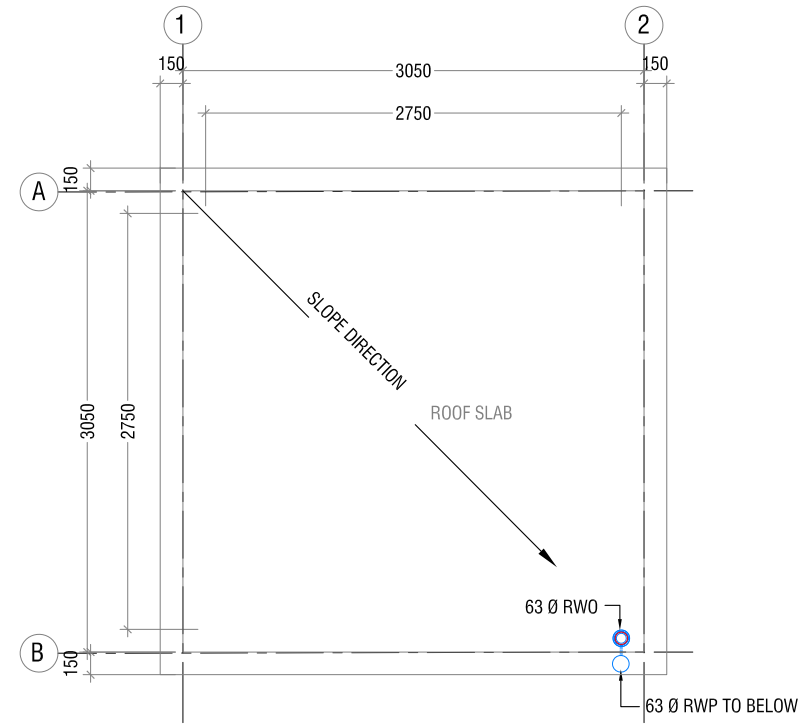
RIYAN PRIVATE LIMITED

t : +9603315049 f : +9603310776  
e : info@riyan.com.mv  
w : www.riyan.com.mv  
3rd floor, H. Azum, Armeeneemagu, Male'



- LEGEND**
- CL2 LED TUBE LIGHT WITH OPAL CASING
  - CEILING FAN (52" - 54")
  - DISTRIBUTION BOX
  - 13A TWIN SOCKET OUTLET
  - LIGHT SWITCH
  - SWITCHING LINE

- NOTE:**
1. ALL WIRING TO BE OF STELCO APPROVED STANDARDS
  2. SWITCH CONTROL = 1200MM FROM FLOOR FIN. LEVEL
  3. ALL LIGHTING POINTS CONNECTED TO THEIR RESPECTIVE DB
  4. POLYCARBONATE ENCLOSURE TO ALL SWITCH AND SOCKET WHICH ARE LOCATED AT THE OUTDOORS
  5. SWITCH CONTROL / SOCKET = 1100MM - 1200MM FROM FLOOR FIN. LEVEL



- LEGEND**
- RWP 63 Ø RAINWATER PIPE
  - RWO 63 Ø DRAIN OUTLET

**NOTE:**  
- ALL RAINWATER PIPES TO BE AT GROUND LEVEL DISCHARGED THROUGH A PERFORATED COWL OR TO A SOAK PIT

## SECURE ROOM - LIGHTING & POWER LAYOUT

SCALE 1:50



## SECURE ROOM - DRAINAGE LAYOUT

SCALE 1:50



**SAFE ROOM**  
(Single Story)

Project Number: RI/2017/012  
Date: February 2021  
Architect: Mariyam Irasha  
Engineer: Mohamed Muththallib Walleed  
Drawn by: Mariyam Leevan Jaleel  
Services: Aishath Ahmed  
Interior: -

Rev no

Date



RIYAN PRIVATE LIMITED

t: +9603315049 f: +9603310776  
e: info@riyan.com.mv  
w: www.riyan.com.mv  
3rd floor, H. Azumi, Ameenemagau, Male'

Title: Services Details

Page: SVC-01/01