

○ STANDARD ARTIFICIAL TURF FULL PITCH PLAN

73000 [239'-6"]

36500 [119'-9"]

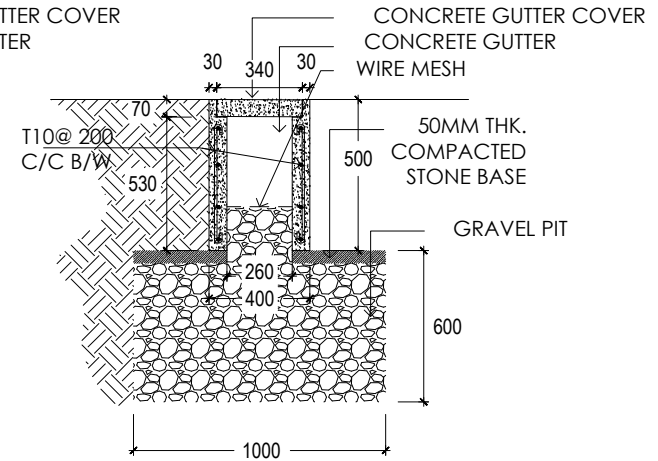
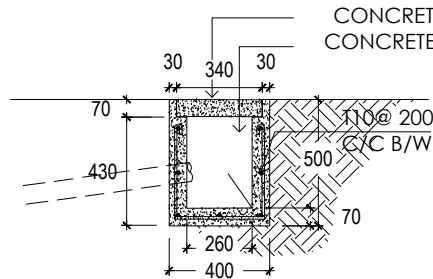
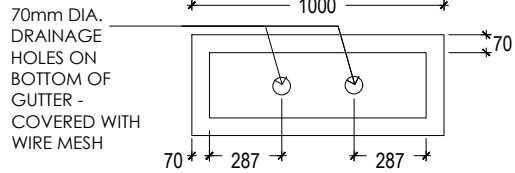
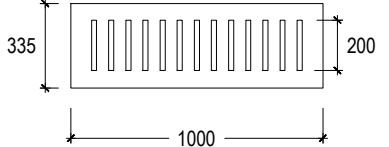
SLOPE 0.5%

SLOPE 0.5%

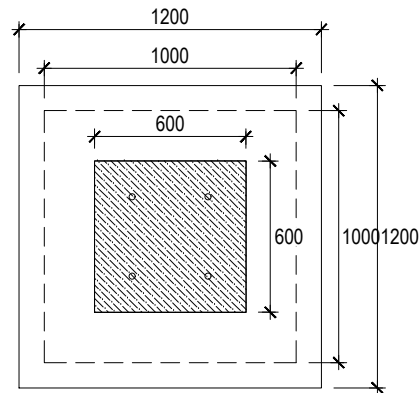
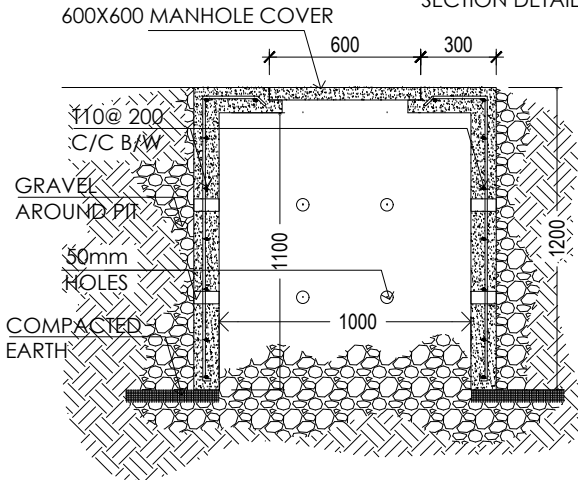
DETAIL 01

DETAIL 02

CONCRETE GUTTER TOP  
FABRICATED WITH MASS CONCRETE

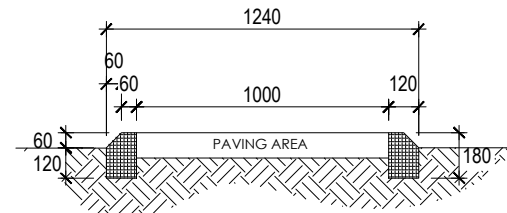


CONCRETE GUTTER  
SECTION DETAIL



CONCRETE SOAK PIT/WELL  
SECTION DETAIL

DRAINAGE OPTION 2  
WHERE SOAK PIT AREA IS UNAVAILABLE



CURB STONE AND PAVING AREA  
SECTION DETAIL

