

73000 [239'-6"]

36500 [119'-9"]

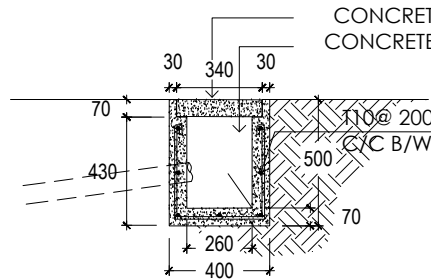
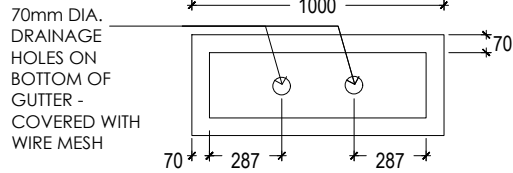
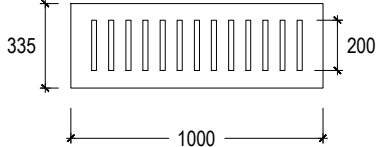
SLOPE 0.5%

SLOPE 0.5%

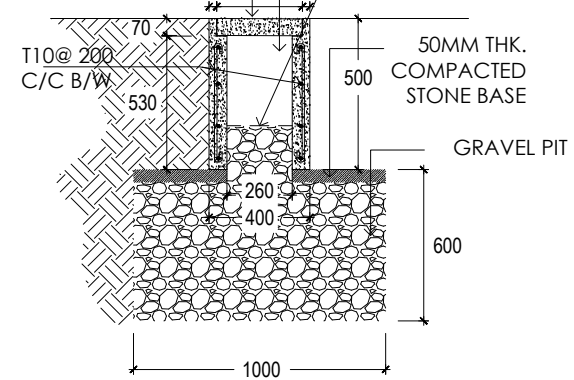
DETAIL 01

DETAIL 02

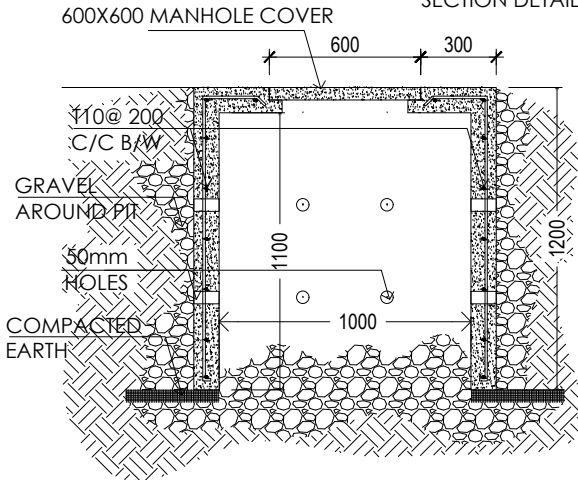
CONCRETE GUTTER TOP
FABRICATED WITH MASS CONCRETE



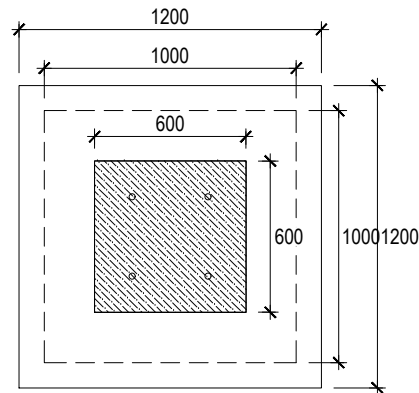
CONCRETE GUTTER COVER
CONCRETE GUTTER
WIRE MESH



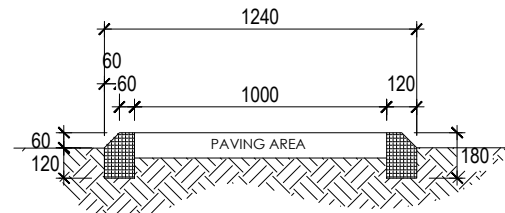
CONCRETE GUTTER
SECTION DETAIL



CONCRETE SOAK PIT/WELL
SECTION DETAIL



DRAINAGE OPTION 2
WHERE SOAK PIT AREA IS UNAVAILABLE



CURB STONE AND PAVING AREA
SECTION DETAIL

