

Proposed Single Storey Classroom Block at Kandoodhoo School

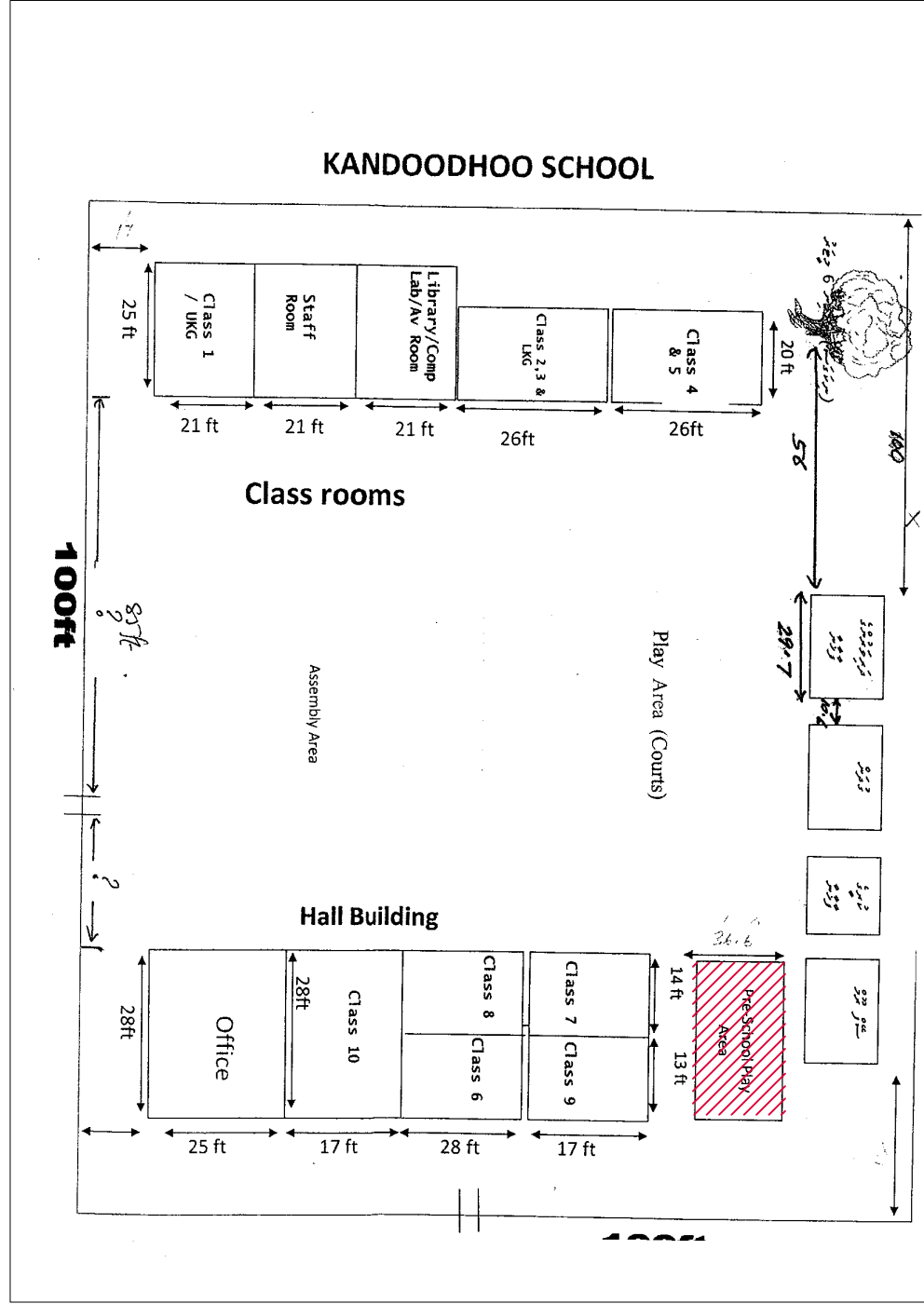
Client: Ministry of Education

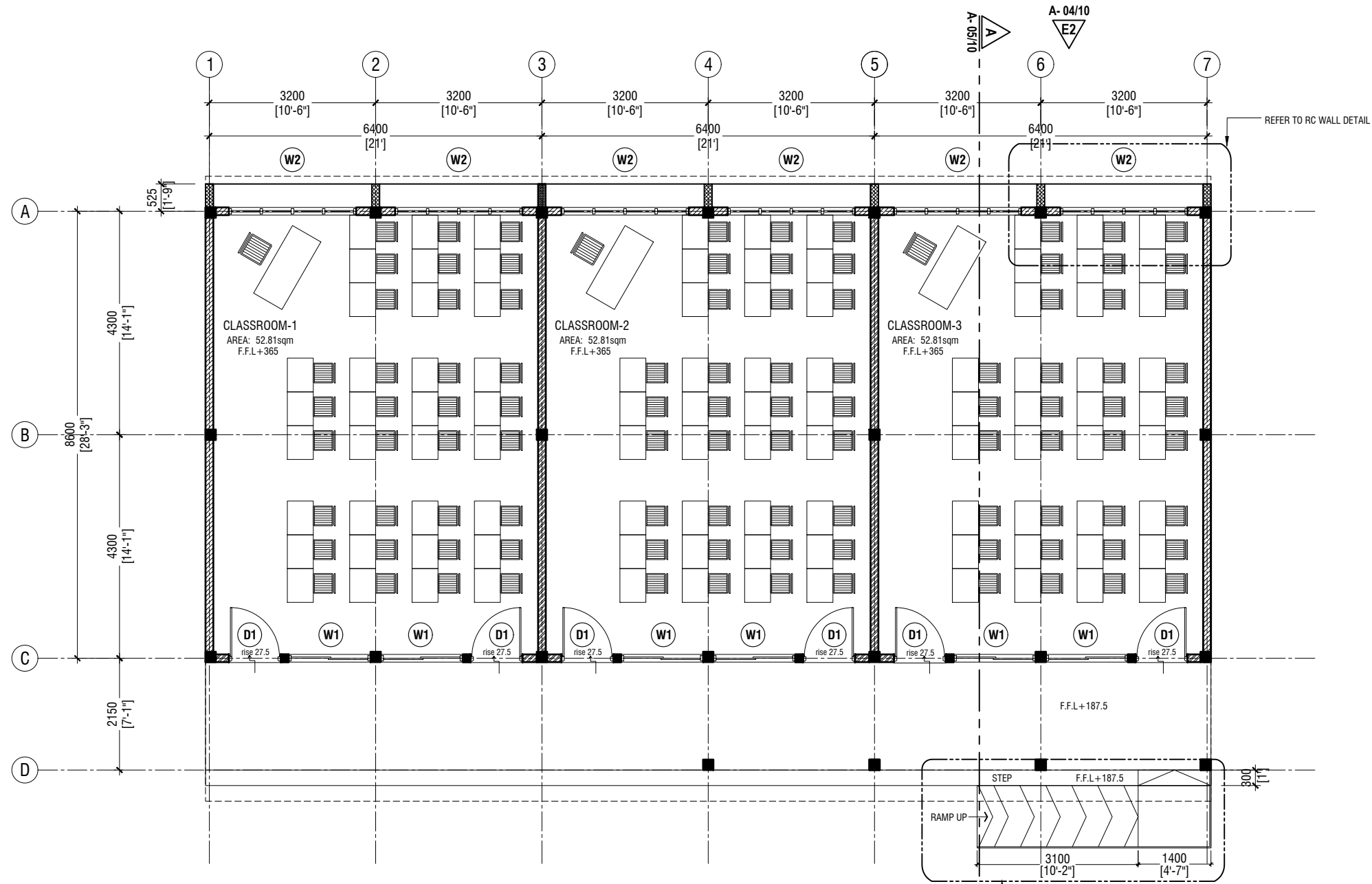


RIYAN PRIVATE LIMITED

t: +9603315049 f: +9603310776
e: info@riyan.com.mv
w: www.riyan.com.mv
3rd floor, H. Azum, Ameenemagu, Male'

KANDOODHOO SCHOOL SITE PLAN
NTS





GROUND FLOOR PLAN

SCALE 1:100



- NOTE:**
- PROPOSED 150mm THICK SOLID BLOCK - INTERIOR MASONRY WALL WITH 16mm PLASTERING, GROUND SMOOTH IN SELECTED PAINT FINISH
 - PROPOSED 150mm THICK SOLID BLOCK - EXTERIOR MASONRY WALL WITH 20mm PLASTERING, GROUND SMOOTH IN SELECTED PAINT FINISH
 - PROPOSED 150mm THICK RC WALL TO BE WATER PROOFED WITH WATER PROOFING AGENT

THE SCREEDING AND TILES ARE INCORPORATED IN THE FLOOR FINISH LEVELS

REFER TO ARCHITECT FOR FURTHER ASSISTANCE.

Kandoodhoo School
Client: Ministry of Education

Project Number: RI/2017/012
Date: March 2021
Architect: Razana Amir
Engineer: Insan Waheed
Drawn by: Maryam Leevan Jaleel
Services: Alshath Ahmed
Interior: _____

Rev no	Date



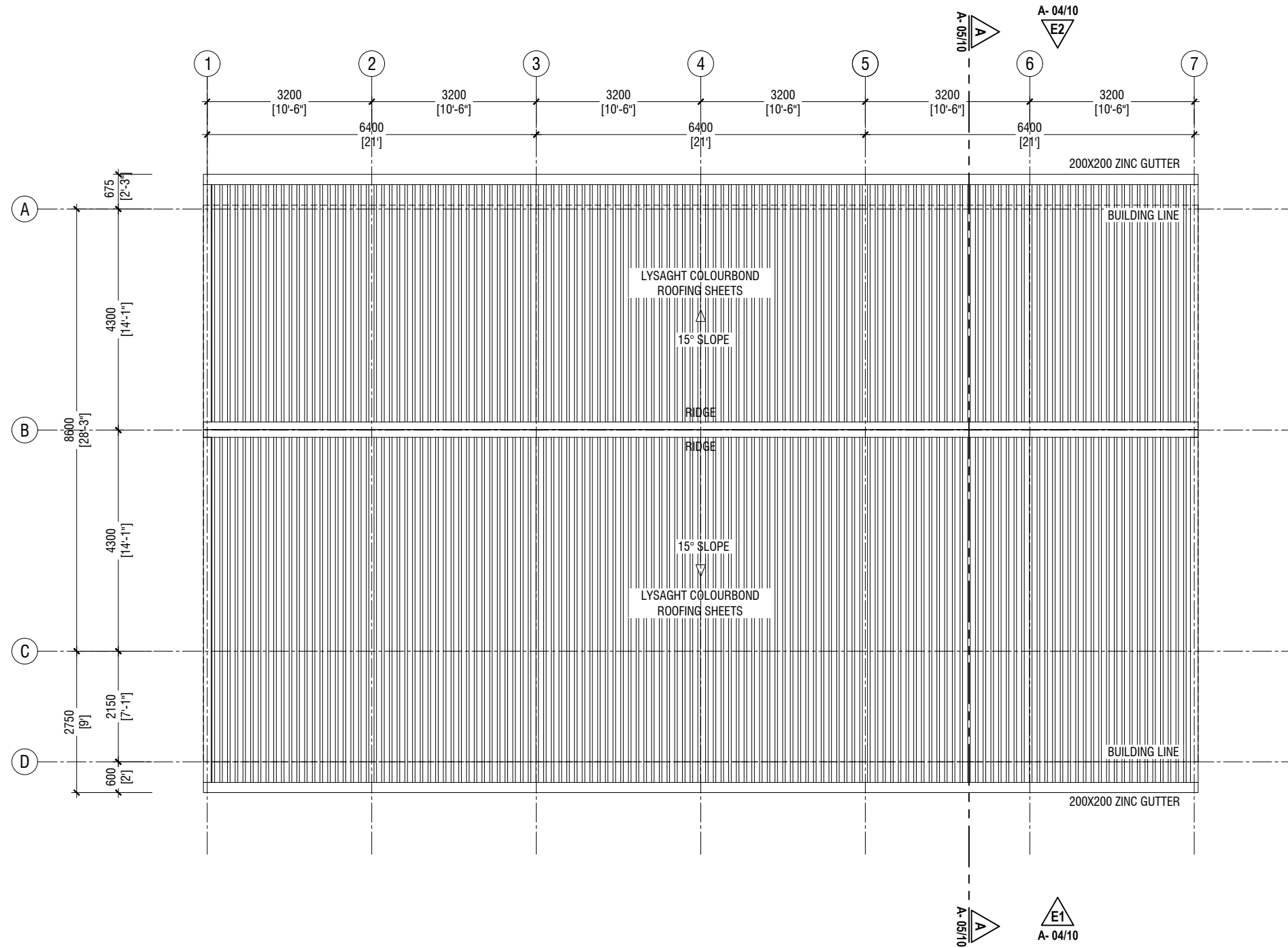
RIYAN PRIVATE LIMITED

t: +9603315049 f: +9603310776
e: info@riyan.com.mv
w: www.riyan.com.mv
3rd floor, H. Azumi, Ammeenemogu, Male'

Title: Ground Floor Plan

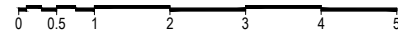
Page: A-02/10

The contents of these drawings remain as a property of Riyan Private Limited. Any use other than those expressly stated is a violation of this copyright.



ROOF PLAN

SCALE 1:100



Kandoodhoo School
Client: Ministry of Education

Project Number:	Rev no	Date
R/2017/012
Date: March 2021
Architect: Razana Amir
Engineer: Insan Waheed
Drawn by: Maryam Leevan Jaleel
Services: Alshath Ahmed
Interior:

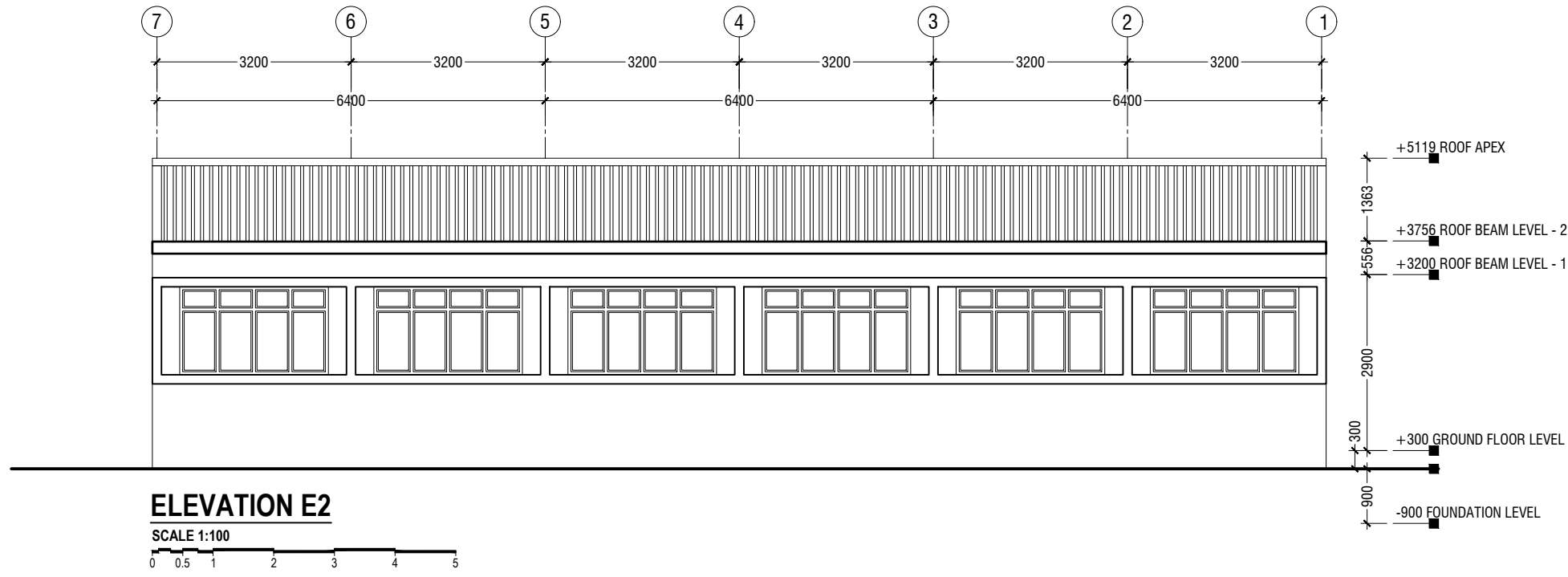
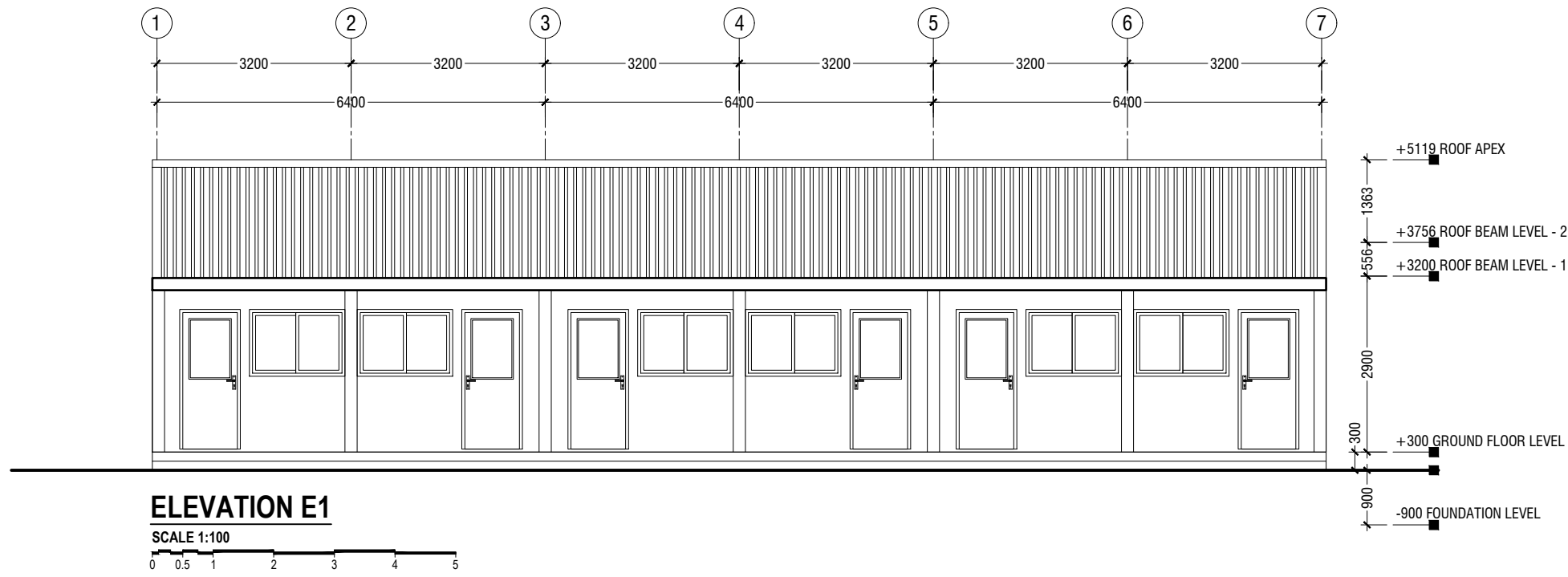


RIYAN PRIVATE LIMITED

t: +9603315049 f: +9603310776
e: info@riyan.com.mv
w: www.riyan.com.mv
3rd floor, H. Azumi, Ameenemogu, Male'

Title: Roof Plan

Page: A-03/10



Kandoodhoo School
Client: Ministry of Education

Rev no	Date

Project Number: RI/2017/012
Date: March 2021
Architect: Razana Amir
Engineer: Insan Waheed
Drawn by: Maryam Laveyan Jaleel
Services: Alshah Ahmed Interior



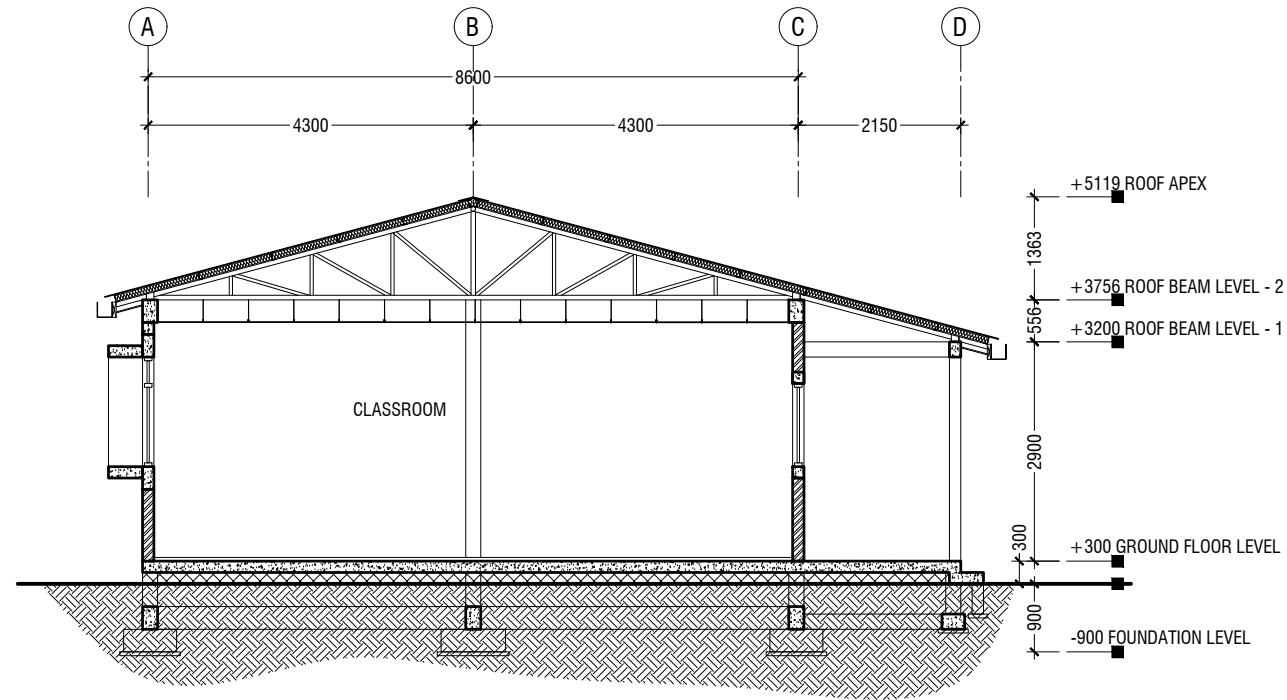
RIYAN PRIVATE LIMITED

t: +9603315049 f: +9603310776
e: info@riyan.com.mv
w: www.riyan.com.mv
3rd floor, H. Azumi, Ameenemogu, Male'

Title: Elevation E1 & Elevation E2

Page: A-04/10

The contents of these drawings remain as a property of Riyan Private Limited. Any use other than those expressly stated is a violation of this copyright.



SECTION A-A

SCALE 1:100



Kandoodhoo School
Client: Ministry of Education

Rev no	Date
1	
2	
3	
4	

Project Number: RI/2017/012
 Date: March 2021
 Architect: Razana Amir
 Engineer: Insan Waheed
 Drawn by: Maryam Leevan Jaleel
 Services: Alshath Ahmed
 Interior: -

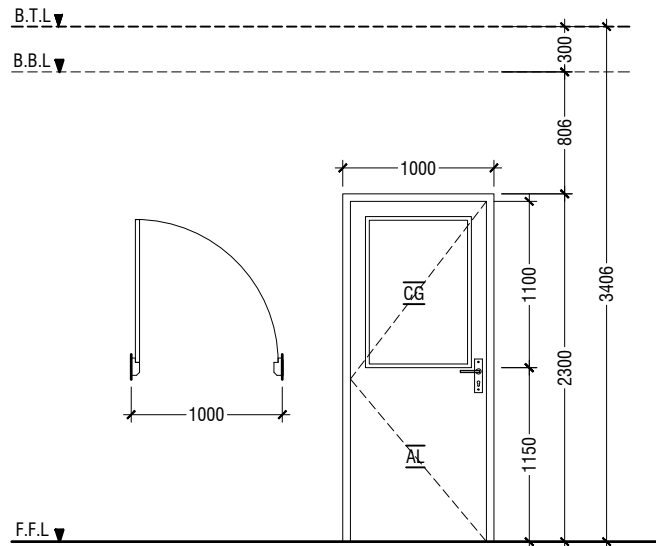


RIYAN PRIVATE LIMITED

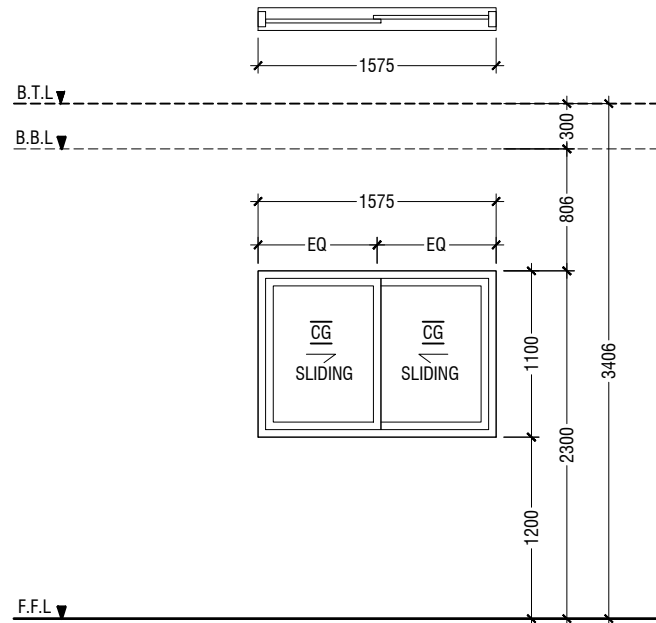
t: +9603315049 f: +9603310776
 e: info@riyan.com.mv
 w: www.riyan.com.mv
 3rd floor, H. Azumi, Ameenemoggu, Male'

Title: Section A-A

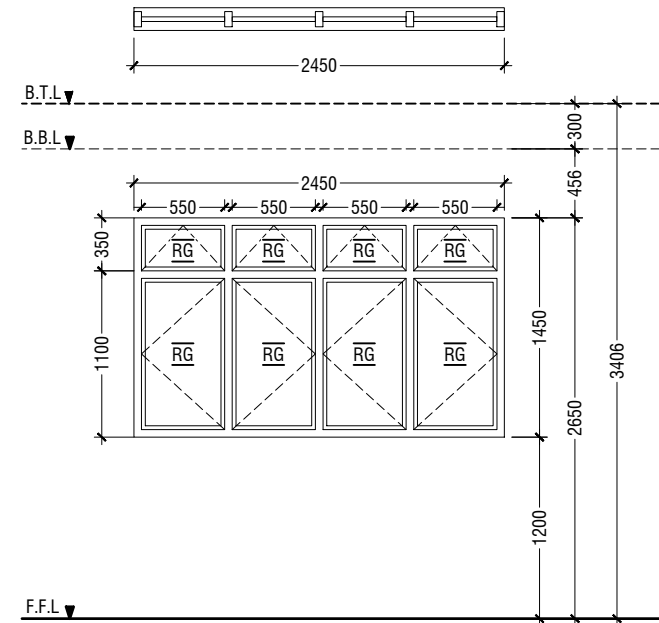
Page: A-05/10



D1	SWING DOOR
REMARKS	50mm THICK POWDER COATED (60 MICRONS) ALUMINIUM FRAMED WITH ALUMINIUM PANEL AND CLEAR GLASS
LOCATION	CLASSROOM
QUANTITY	06 NOS
OPEN AREA	2.03 sqm



W1	SLIDING WINDOW
REMARKS	50mm THICK POWDER COATED (60 MICRONS) ALUMINIUM FRAMED WITH ALUMINIUM PANEL AND CLEAR GLASS
LOCATION	CLASSROOM
QUANTITY	06 NOS
OPEN AREA	0.71 sqm



W2	SWING WINDOW
REMARKS	50mm THICK POWDER COATED (60 MICRONS) ALUMINIUM FRAMED WINDOW WITH REFLECTIVE GLASS
LOCATION	CLASSROOM
QUANTITY	06 NOS
OPEN AREA	2.86 sqm

LEGEND:
 CG - CLEAR GLASS
 RG - REFLECTED GLASS
 AL - ALUMINIUM

NOTE:-
 - ALL DOORS & WINDOWS TO BE CHECKED ON SITE BEFORE FABRICATION.
 - ALL DOOR & WINDOWS VIEWED FROM EXTERIOR, FOR DOOR SWING, REFER TO FLOOR PLANS.
 - THE DOORS / WINDOWS WHICH DO NOT TOUCH THE BEAM SHALL HAVE A LINTEL BEAM (LB) ABOVE THE DOOR / WINDOW.
 - FOR ALL THE WINDOWS PUT A SILL BEAM BELOW THE WINDOW (SB)
 - FOR SAFETY PURPOSES REFER TO TECHNICAL SPECIFICATIONS FOR GLASS THICKNESS.

DOOR / WINDOW SCHEDULE

SCALE 1:50
 0 0.25 0.5 1 1.5 2 2.5

SCHEDULE OF VENTILATION FOR KANDOODHOO SCHOOL

Room name/ Number	Room Areas (sqm) (Specify centre to centre or clear)	Window (opening) number	Required opening areas (sqm)	Designed opening areas (sqm)	Open %
Ground Floor					
1 Classroom-1	52.81	2W1 & 2W2	5.28	7.14	13.52%
2 Classroom-2	52.81	2W1 & 2W2	5.28	7.14	13.52%
3 Classroom-3	52.81	2W1 & 2W2	5.28	7.14	13.52%

VENTILATION SCHEDULE

NOT TO SCALE

Kandoodhoo School
 Client: Ministry of Education

Project Number: RI/2017/012
 Date: March 2021
 Architect: Razana Amir
 Engineer: Insan Waheed
 Drawn by: Maryam Leevan Jaleel
 Services: Alshath Ahmed
 Interior: -

Date

Rev no

1

2

3

4

5

6

7

8

9

10

11

12

13

14

15

16

17

18

19

20

21

22

23

24

25

26

27

28

29

30

31

32

33

34

35

36

37

38

39

40

41

42

43

44

45

46

47

48

49

50

51

52

53

54

55

56

57

58

59

60

61

62

63

64

65

66

67

68

69

70

71

72

73

74

75

76

77

78

79

80

81

82

83

84

85

86

87

88

89

90

91

92

93

94

95

96

97

98

99

100

101

102

103

104

105

106

107

108

109

110

111

112

113

114

115

116

117

118

119

120

121

122

123

124

125

126

127

128

129

130

131

132

133

134

135

136

137

138

139

140

141

142

143

144

145

146

147

148

149

150

151

152

153

154

155

156

157

158

159

160

161

162

163

164

165

166

167

168

169

170

171

172

173

174

175

176

177

178

179

180

181

182

183

184

185

186

187

188

189

190

191

192

193

194

195

196

197

198

199

200

201

202

203

204

205

206

207

208

209

210

211

212

213

214

215

216

217

218

219

220

221

222

223

224

225

226

227

228

229

230

231

232

233

234

235

236

237

238

239

240

241

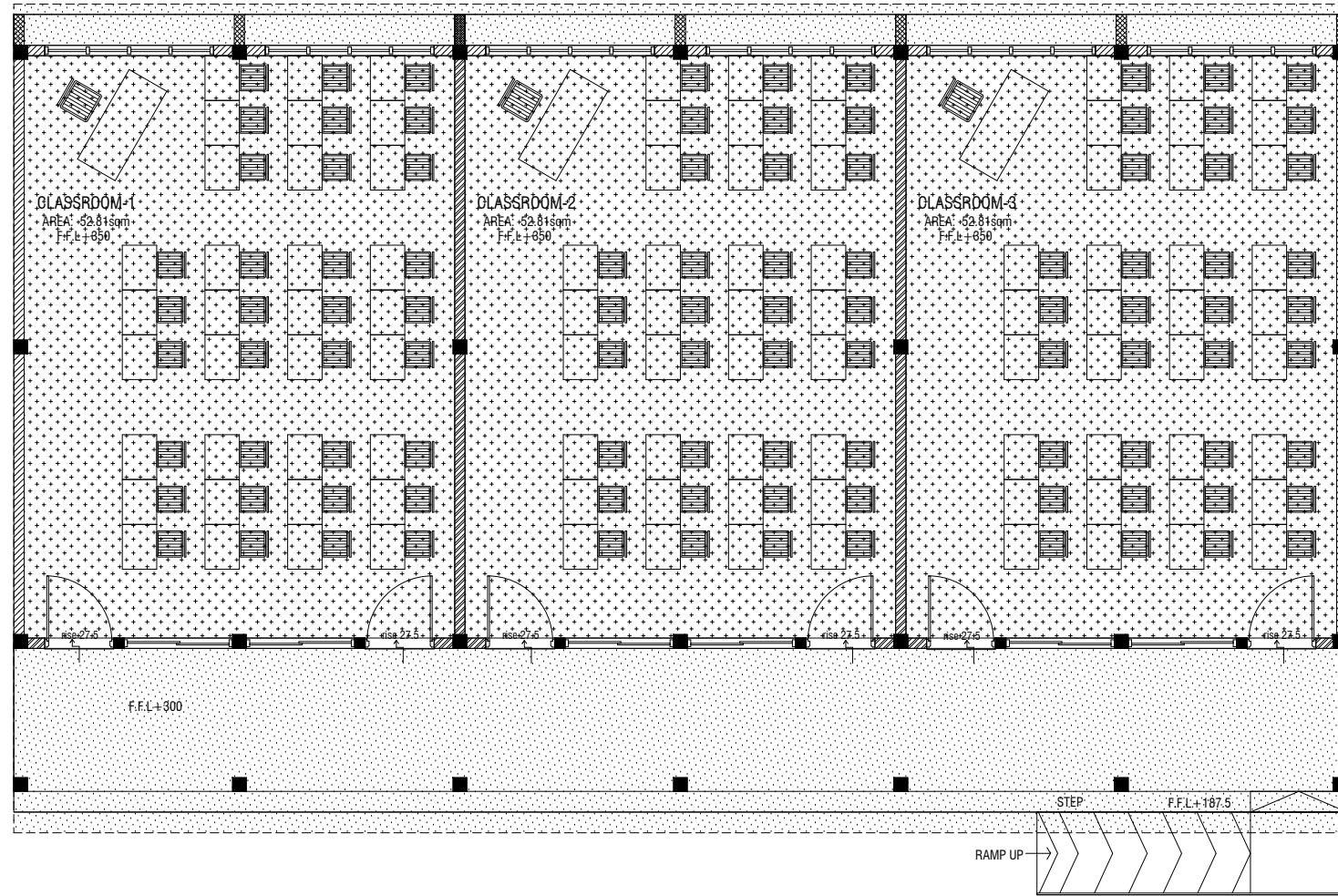
242

243

244

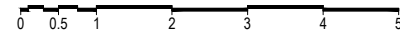
245

246

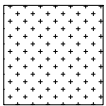



REFLECTED CEILING PLAN

SCALE 1:100



LEGEND

CODE	DESCRIPTION
	9mm THICK FIXED CEILING 'BORAL' OR EQUIVALENT PLASTERBOARD CEILING SYSTEM WITH TIMBER FRAMES, APPLIED WITH GROUND SMOOTH FINISH IN SELECTED PAINT CEILING HEIGHT : +3106mm
	6mm THICK CEMENT BOARD CEILING WITH TIMBER FRAMES (ONE COAT OF PUTTY FOLLOWED BY SEALER AND 2 COATS OF PAINT)

Kandoodhoo School
Client: Ministry of Education

Project Number: RI/2017/012
 Date: March 2021
 Architect: Razana Amir
 Engineer: Insan Waheed
 Drawn by: Maryam Leevan Jaleel
 Services: Alishah Ahmed
 Interior: -

Rev no

Date

1	
2	
3	
4	
5	

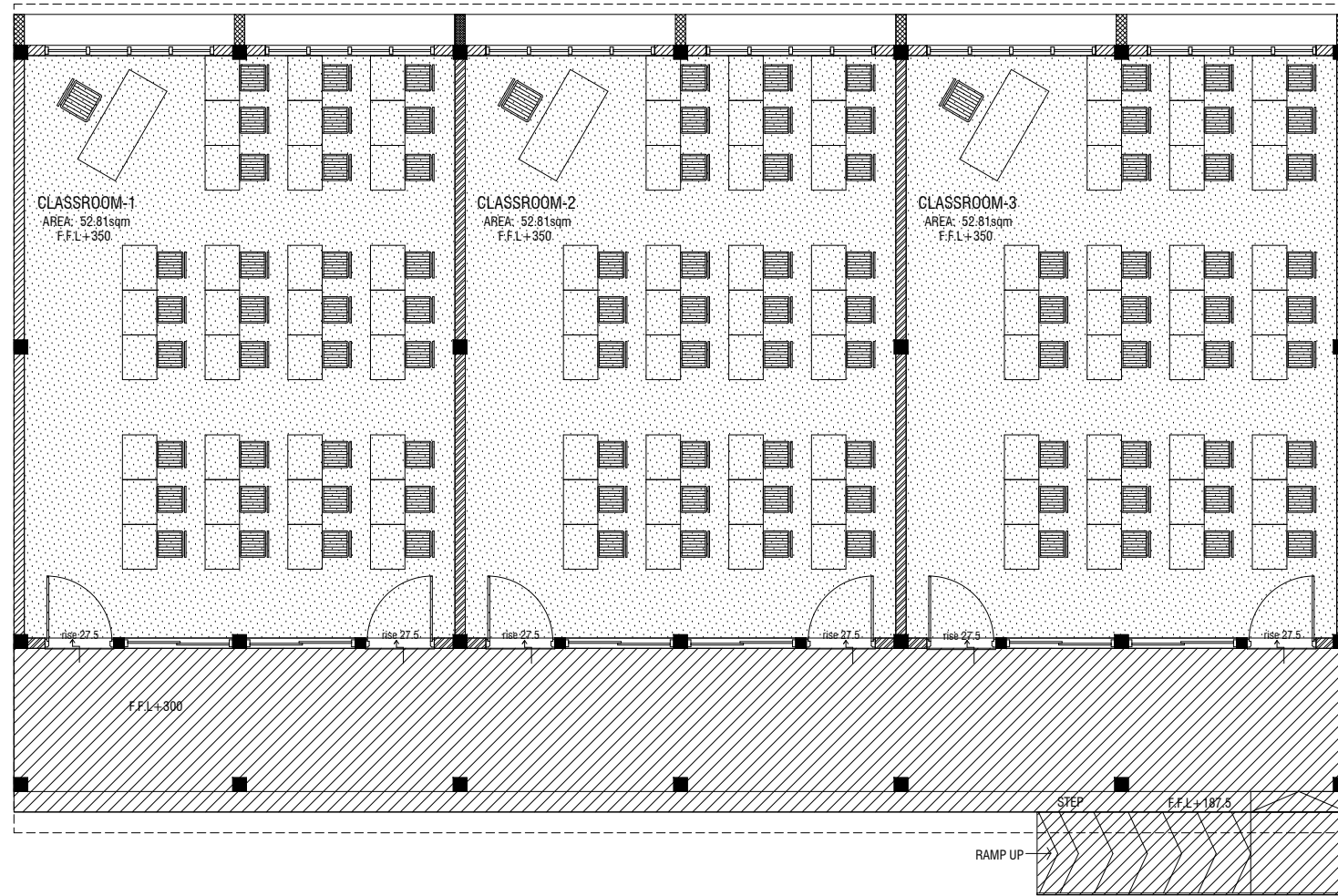


RIYAN PRIVATE LIMITED

t: +9603315049 f: +9603310776
 e: info@riyan.com.mv
 w: www.riyan.com.mv
 3rd floor, H. Azumi, Ameenemoggu, Male'


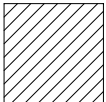
Title: Reflected Ceiling Plan

Page: A-07/10



FLOOR FINISHES PLAN
SCALE 1:100

LEGEND

CODE	DESCRIPTION
	600X600mm HOMOGENOUS NON-SLIP TILES OVER 50mm SCREEDING
	35mm NORMAL SCREEDING WITH 2.5mm SELF LEVELING CEMENT WITH EPOXY FLOOR PAINT (2 COATS OF EPOXY)

Kandoodhoo School
Client: Ministry of Education

Project Number: RI/2017/012
Date: March 2021
Architect: Razana Amir
Engineer: Insan Waheed
Drawn by: Maryam Leevan Jaleel
Services: Aishath Ahmed
Interior: -

Rev no

Date

..

..

..

..

..

..

..

..

..

..

..

..

..

..

..

..

..

..

..

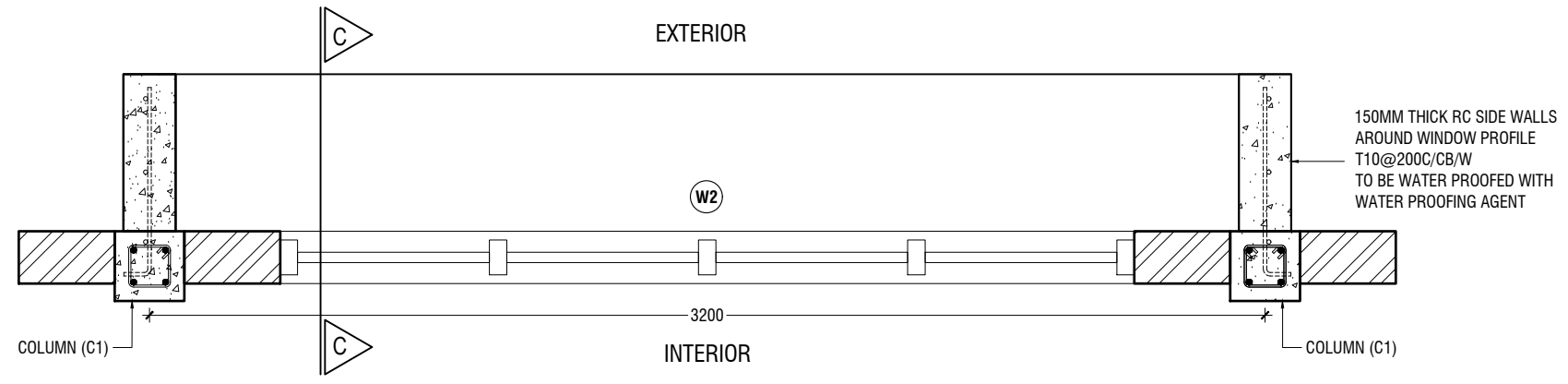


RIYAN PRIVATE LIMITED
t: +9603315049 f: +9603310776
e: info@riyan.com.mv
w: www.riyan.com.mv
3rd floor, H. Azumi, Ameenemaggu, Male'

Title: Floor Finishes Plan

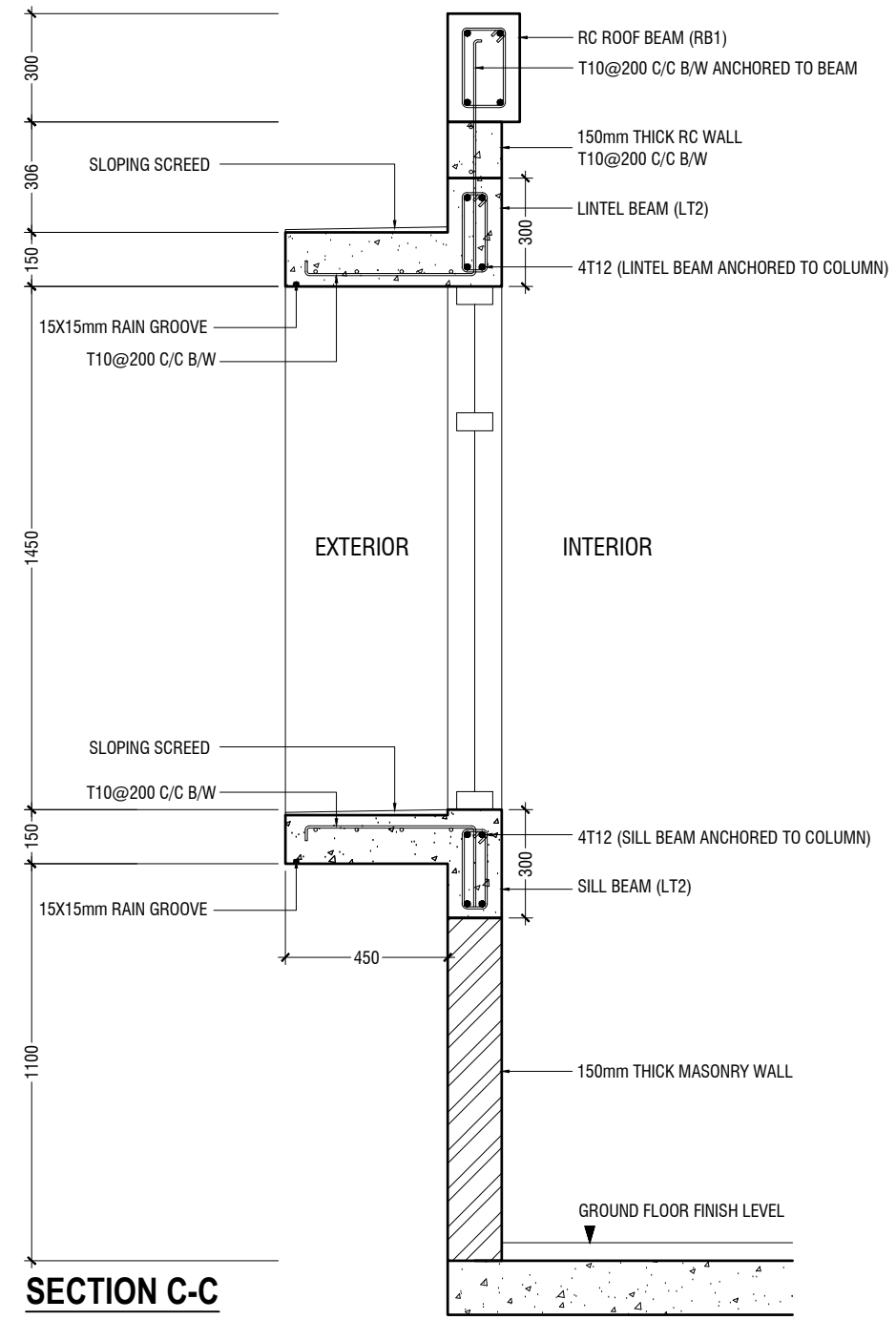
Page: A-08/10

The contents of these drawings remain as a property of Riyan Private Limited. Any use other than those expressly stated is a violation of this copyright.



PLAN

SCALE 1:20



SECTION C-C

SCALE 1:20



**DETAIL - 1
RC WALL DETAIL**

SCALE 1:20



Kandoodhoo School
Client: Ministry of Education

Rev no	Date
..
..
..
..

Project Number: RI/2017/012
Date: March 2021
Architect: Razana Amir
Engineer: Insan Waheed
Drawn by: Maryam Leevan Jaleel
Services: Alshath Ahmed
Interior: ..



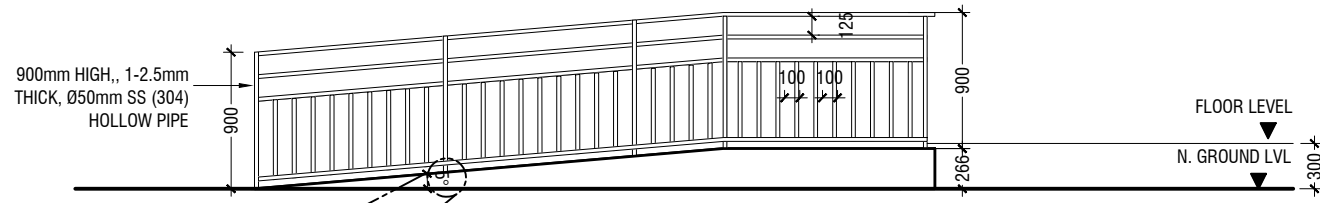
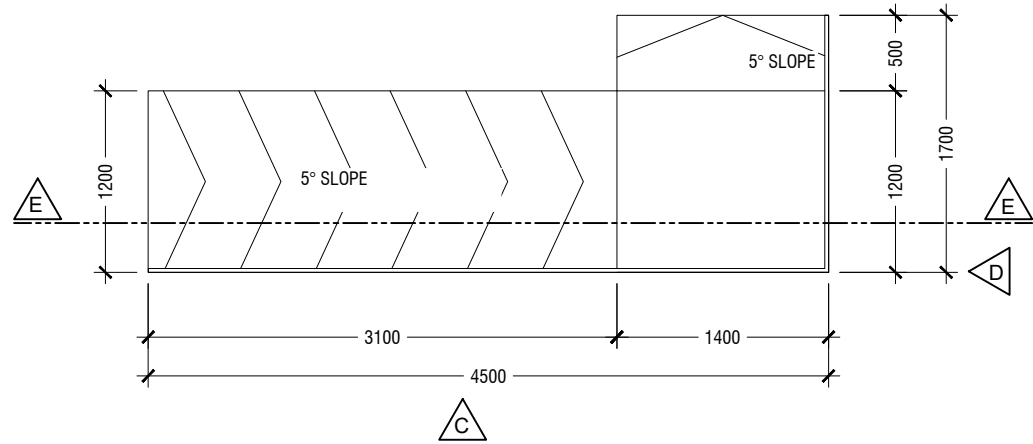
RIYAN PRIVATE LIMITED

t: +9603315049 f: +9603310776
e: info@riyan.com.mv
w: www.riyan.com.mv
3rd floor, H. Azumi, Ameenemoggu, Male'

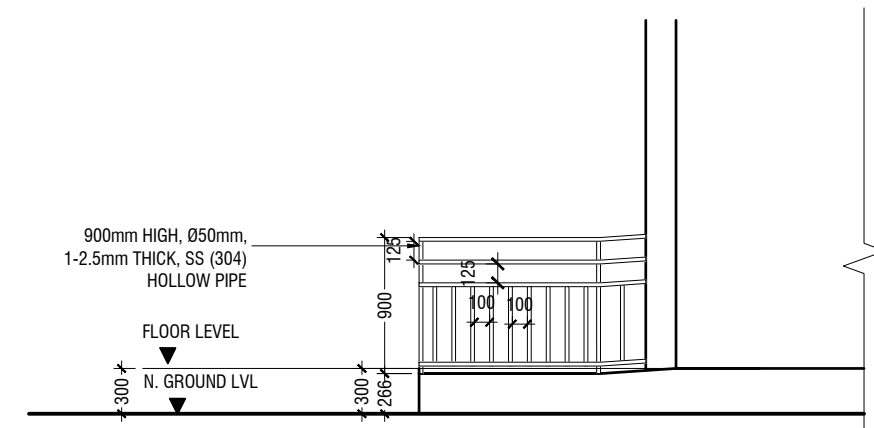
Title: RC Wall Details

Page: A-09/10

The contents of these drawings remain as a property of Riyan Private Limited. Any use other than those expressly stated is a violation of this copyright.

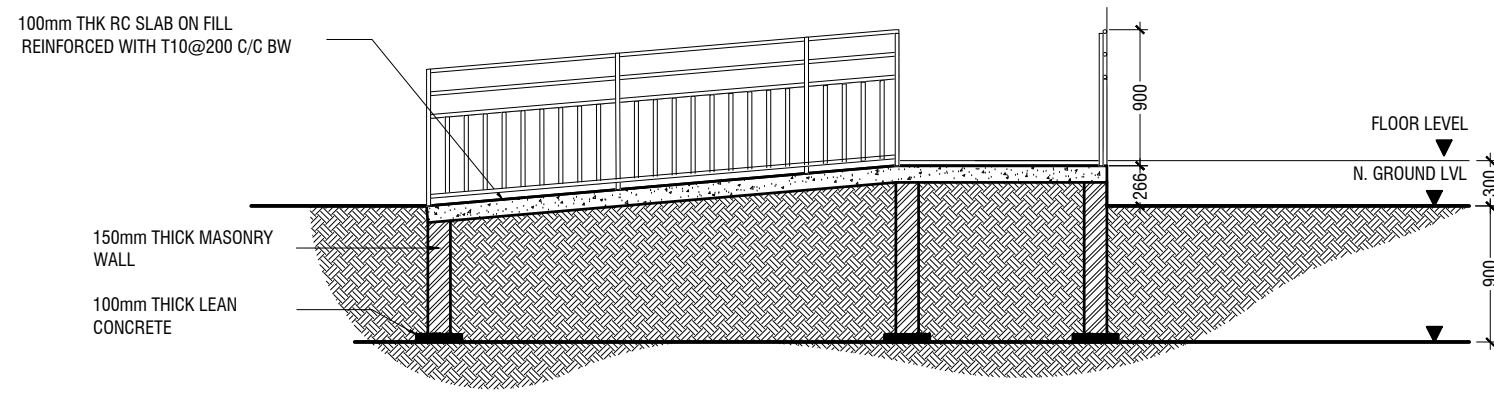


ELEVATION C



ELEVATION D

Ø50mm SS, 1-2.5mm THICK, (304) HOLLOW PIPE
 4 NOS. 12mm ANCHOR BOLTS FIXED TO THE RC SLAB WITH SS PLATE AND COVERED BY PLASTERING
 100mm THICK RC CONCRETE SLAB



SECTION E-E

**DETAIL - 2
 MAIN ENTRANCE RAMP DETAILS**

SCALE 1:50

Kandoodhoo School
 Client: Ministry of Education

Rev no	Date

Project Number: RI/2017/012
 Date: March 2021
 Architect: Razana Amir
 Engineer: Insan Waheed
 Drawn by: Maryam Leevan Jaleel
 Services: Alshath Ahmed
 Interior: -



RIYAN PRIVATE LIMITED

t: +9603315049 f: +9603310776
 e: info@riyan.com.mv
 w: www.riyan.com.mv
 3rd floor, H. Azumi, Ameenemaggu, Male'

Title: Ramp Details

Page: A-10/10

The contents of these drawings remain as a property of Riyan Private Limited. Any use other than those expressly stated is a violation of this copyright.

NOTE:

COLUMN SIZES

C1	: 200x200 mm
C2	: 200x200 mm
SC	: 150x150 mm
COVER	: 35-40mm

FOUNDATION PAD SIZES

	DIMENSION	REINFORCEMENT
F1	700 x 700 x 300	T10@100 C/C B/W (B)
F2	850 x 850 x 300	T10@100 C/C B/W (B)

FOUNDATION DEPTH : 900mm BELOW GROUND LEVEL

ALL FOOTINGS ARE TO BE LAID ON TOP OF 50mm THICK LEAN CONCRETE
APPLY WATER PROOFING TO SUBSTRUCTURE (BELOW GROUND ELEMENTS)

TIE BEAM SIZES

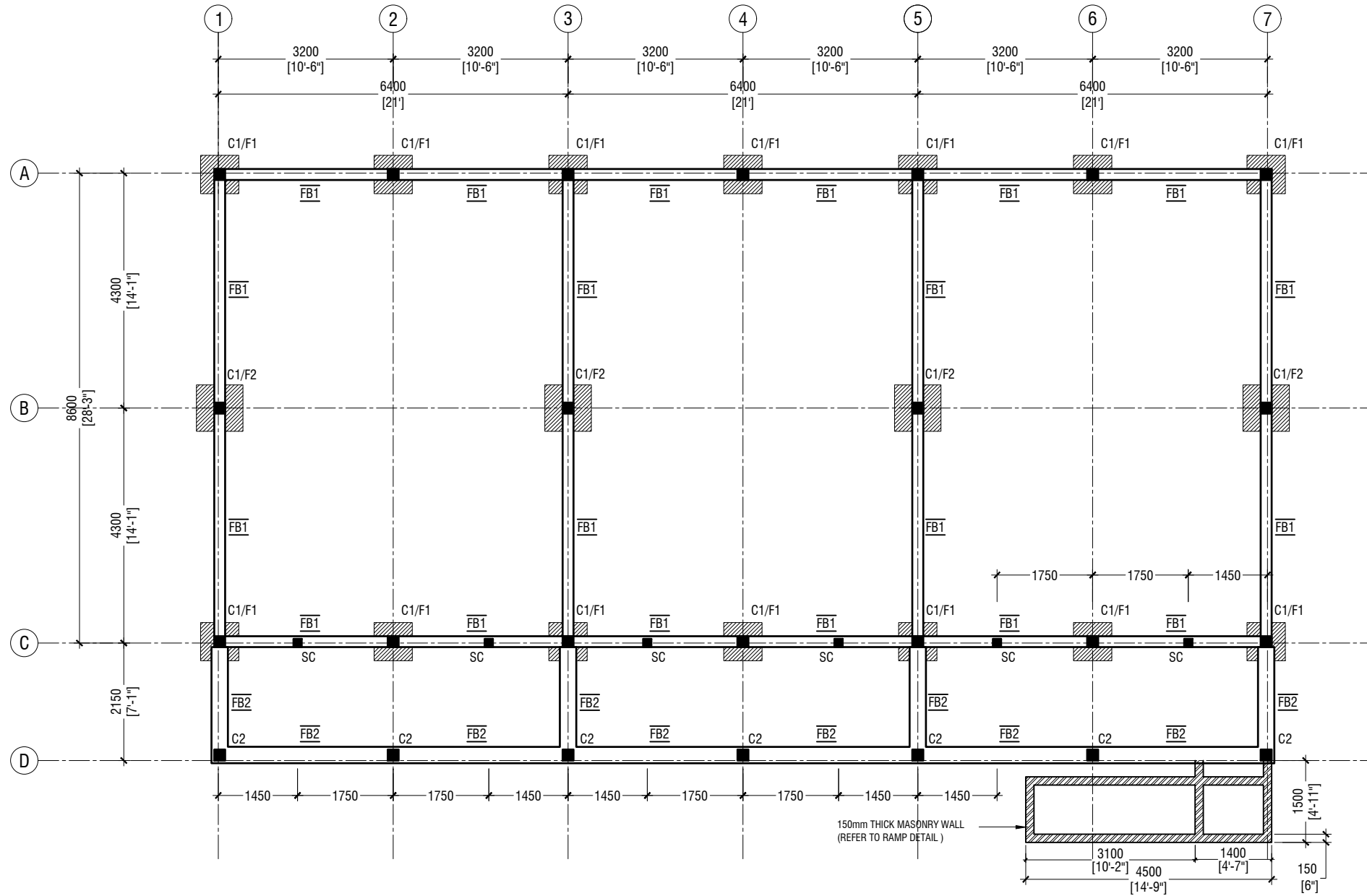
FB1	: 200x300 mm
FB2	: 300x200 mm
COVER	: 50mm

GROUND SLAB : 150mm THK RC SLAB ON FILL
REINFORCED WITH T10@250 C/C B/W

MIX RATIO = 1:2:3 (CEMENT : SAND : AGGREGATE)

FOUNDATION PLAN

SCALE 1:100



Kandoodhoo School
Client: Ministry of Education

Project Number: RI/2017/012	Date
Date: March 2021	
Architect: Razana Amir	
Engineer: Insan Waheed	
Drawn by: Maryam Leevan Jaleel	
Services: Alshah Ahmed	
Interior:	



RIYAN PRIVATE LIMITED

t: +9603315049 f: +9603310776
e: info@riyan.com.mv
w: www.riyan.com.mv
3rd floor, H. Azumi, Ameenemaguu, Male'

Title: Foundation Plan

Page: S-01/06

The contents of these drawings remain as a property of Riyan Private Limited. Any use other than those expressly stated is a violation of this copyright.

NOTE:

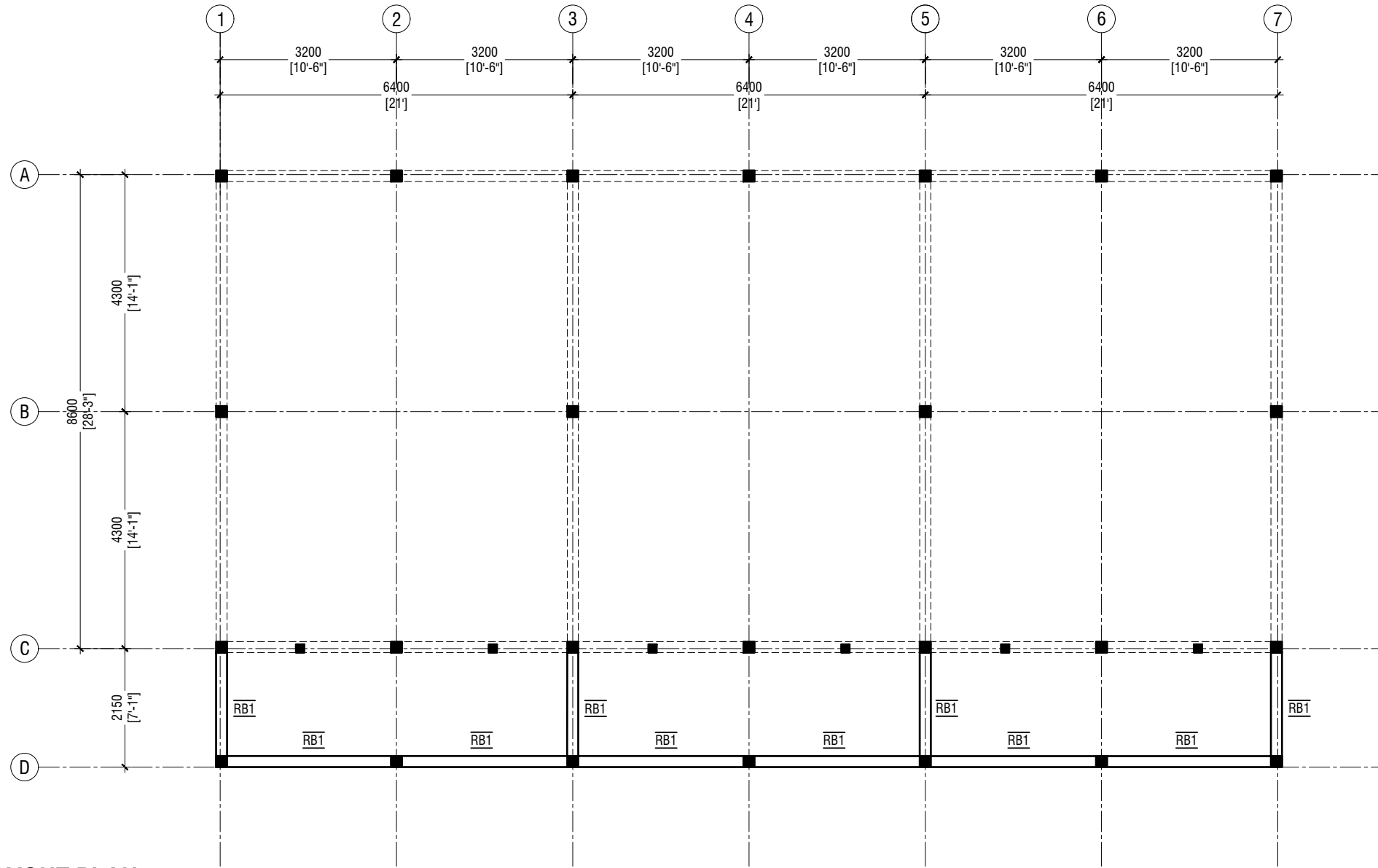
COLUMN SIZES

C1 : 200x200 mm
 C2 : 200x200 mm
 SC : 150x150 mm
 COVER : 35-40mm

BEAM SIZES

RB1 : 200x300 mm
 COVER : 35mm

MIX RATIO = 1:2:3 (CEMENT : SAND : AGGREGATE)



ROOF BEAM - 1 @3.2M FROM F.F.L LAYOUT PLAN

SCALE 1:100



Kandoodhoo School
 Client: Ministry of Education

Project Number: RI/2017/012	Date
Date: March 2021	
Architect: Razana Amir	Rev no
Engineer: Insan Waheed	
Drawn by: Maryam Lavevan Jaleel	
Services: Alshath Ahmed	
Interior: -	

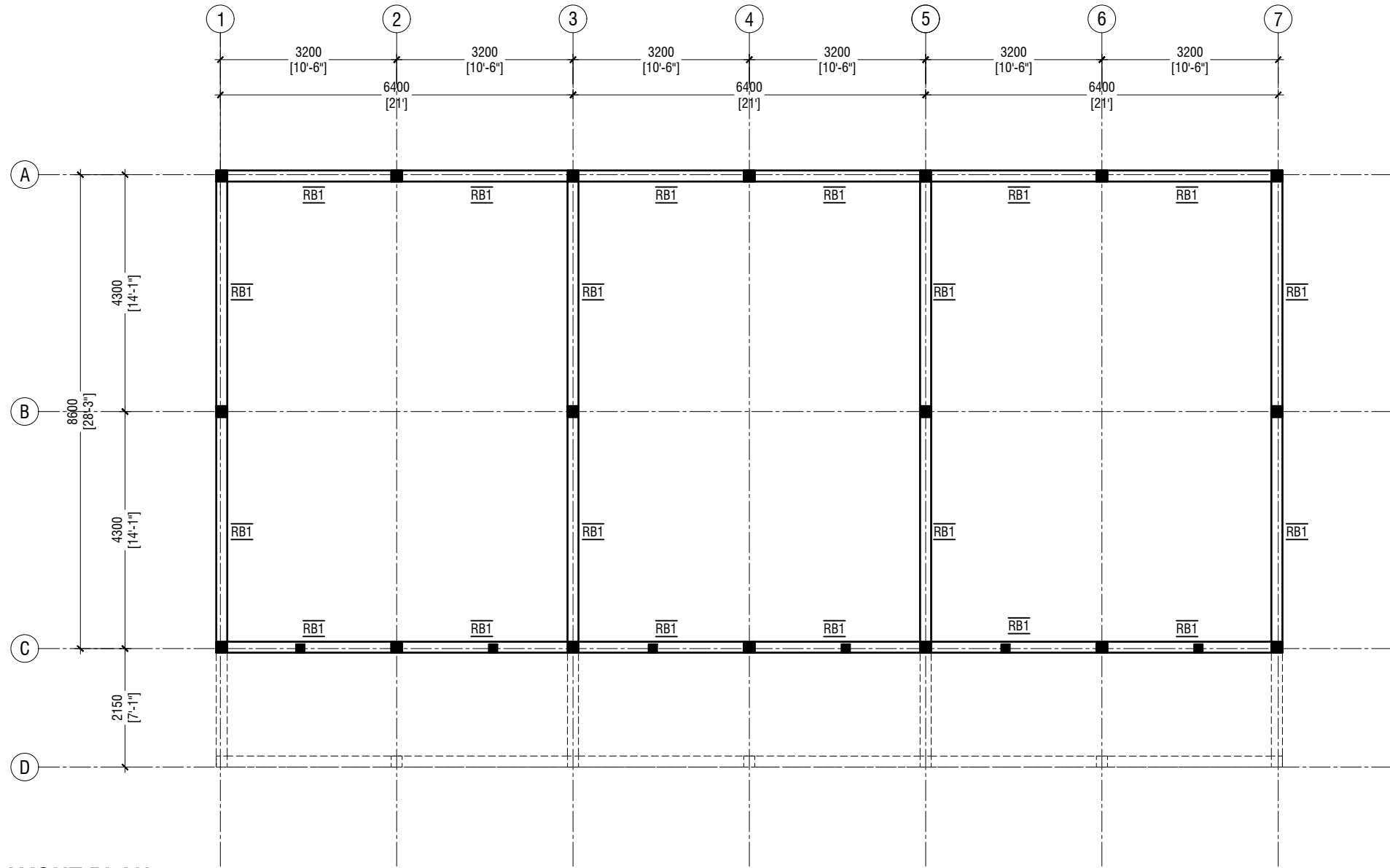


RIYAN PRIVATE LIMITED

t: +9603315049 f: +9603310776
 e: info@riyan.com.mv
 w: www.riyan.com.mv
 3rd floor, H. Azumi, Ameenemaggu, Male'

Title: Roof Beam - 1
 Layout Plan

Page: S-02/06



NOTE:

COLUMN SIZES

C1 : 200x200 mm
 C2 : 200x200 mm
 SC : 150x150 mm
 COVER : 35-40mm

BEAM SIZES

RB1 : 200x300 mm
 COVER : 35mm

MIX RATIO = 1:2:3 (CEMENT : SAND : AGGREGATE)

ROOF BEAM - 2 @3.75M FROM F.F.L LAYOUT PLAN

SCALE 1:100



Kandoodhoo School
 Client: Ministry of Education

Project Number: RI/2017/012	Date
Date: March 2021	
Architect: Razana Amir	Rev no
Engineer: Insan Waheed	
Drawn by: Maryam Leevan Jaleel	
Services: Alishah Ahmed	
Interior: -	



RIYAN PRIVATE LIMITED

t: +9603315049 f: +9603310776
 e: info@riyan.com.mv
 w: www.riyan.com.mv
 3rd floor, H. Azumi, Ameenemaggu, Male'

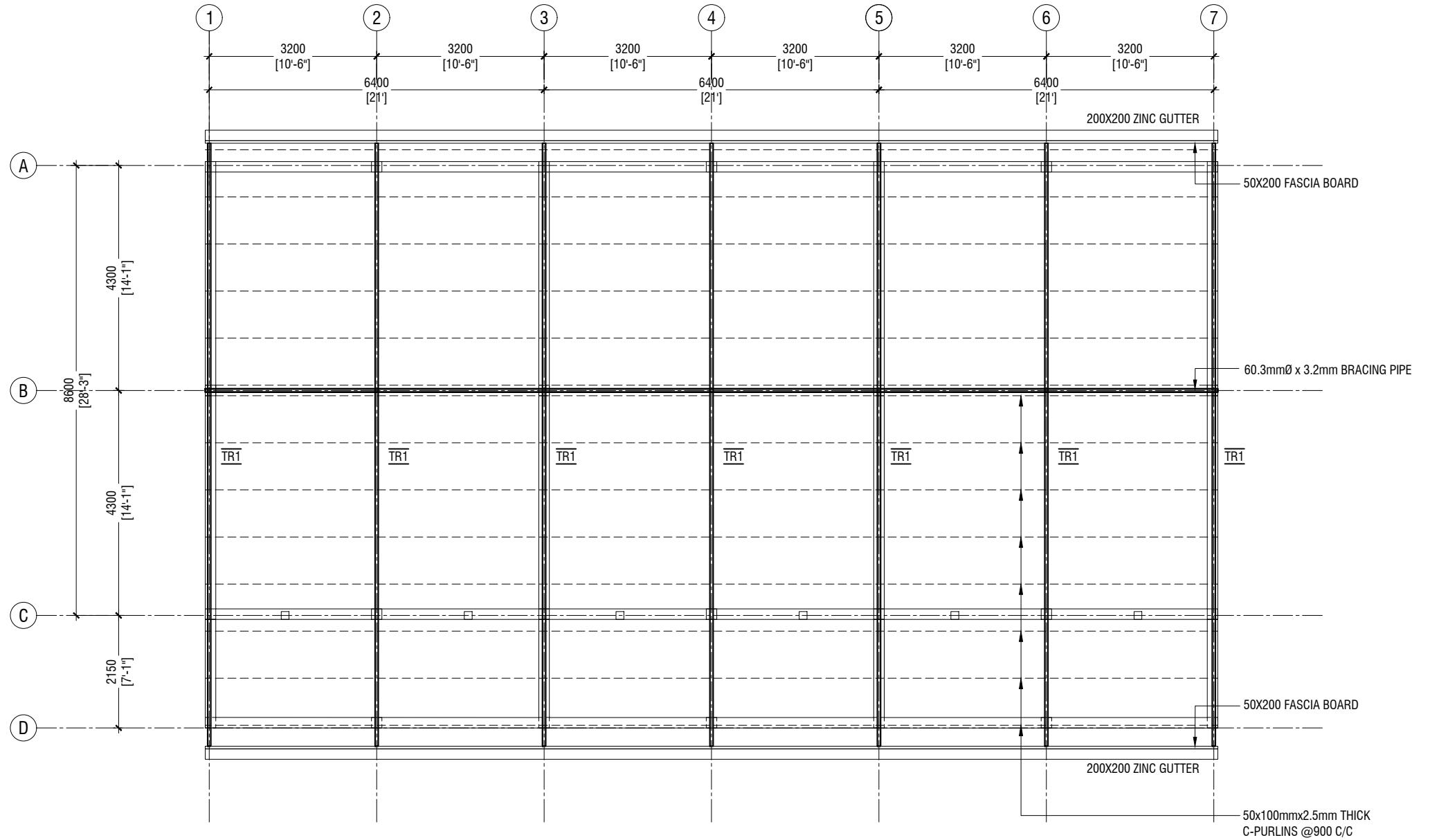
Title: Roof Beam - 2
 Layout Plan

Page: S-03/06

The contents of these drawings remain as a property of Riyan Private Limited. Any use other than those expressly stated is a violation of this copyright.

ROOF PLAN

SCALE 1:100



Kandoodhoo School
Client: Ministry of Education

Project Number:	RI/2017/012
Date:	March 2021
Architect:	Razana Amir
Engineer:	Insan Waheed
Drawn by:	Maryam, Leevan, Jaleel
Services:	Alshah, Ahmed
Interior:	

Rev no	Date
1	
2	
3	
4	



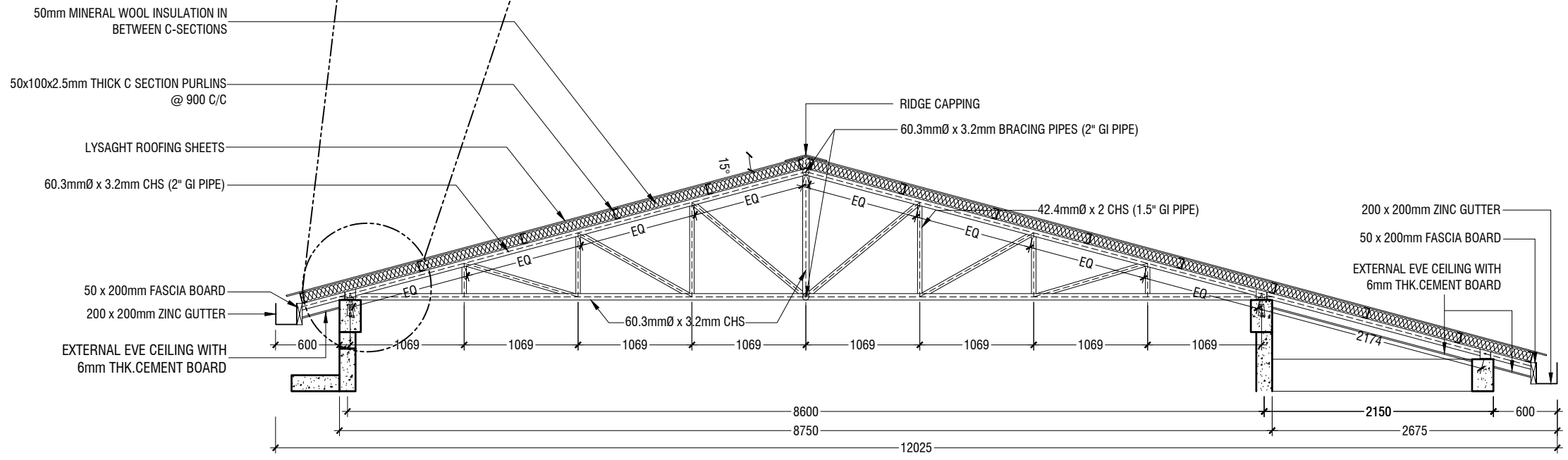
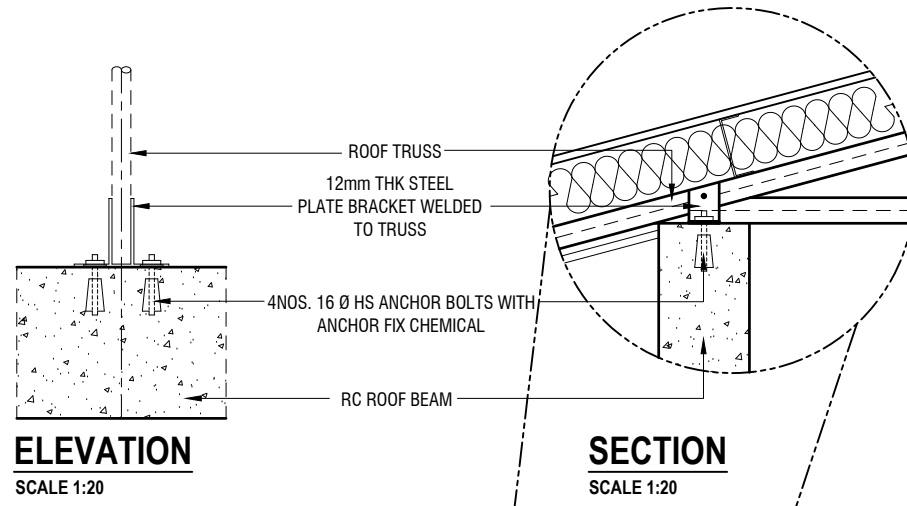
RIYAN PRIVATE LIMITED

t: +9603315049 f: +9603310776
e: info@riyan.com.mv
w: www.riyan.com.mv
3rd floor, H. Azumi, Ameenemoggu, Male'

Title: Roof Plan

Page: S-04/06

The contents of these drawings remain as a property of Riyan Private Limited. Any use other than those expressly stated is a violation of this copyright.



Kandoodhoo School
Client: Ministry of Education

Project Number: RI/2017/012
Date: March 2021
Architect: Razana Amir
Engineer: Insan Waheed
Drawn by: Maryam Leevan Jaleel
Services: Alshah Ahmed Interior

Rev no	Date



RIYAN PRIVATE LIMITED

t: +9603315049 f: +9603310776
e: info@riyan.com.mv
w: www.riyan.com.mv
3rd floor, H. Azumi, Ameenemoggu, Male'

Title: Truss (TR1) Detail

Page: S-05/06

The contents of these drawings remain as a property of Riyan Private Limited. Any use other than those expressly stated is a violation of this copyright.

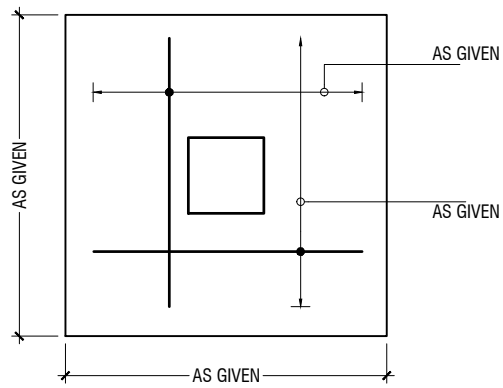
	DIMENSION	REINFORCEMENT
F1	700 x 700 x 300	T10@100 C/C B/W (B)
F2	850 x 850 x 300	T10@100 C/C B/W (B)

FOUNDATION DEPTH = 900mm

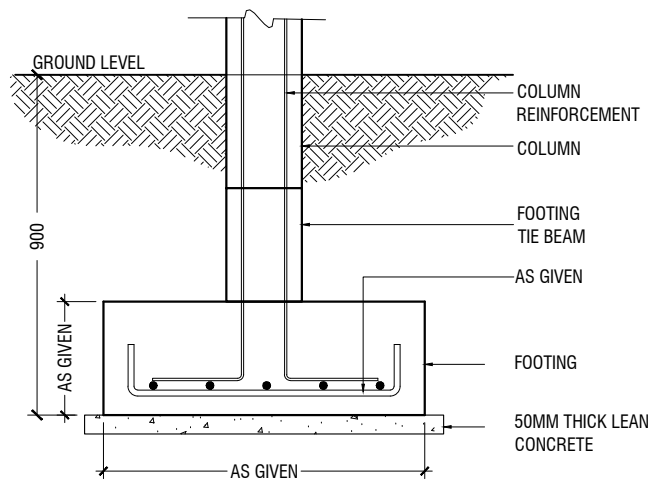
NOTE:-
COVER TO FOUNDATION = 50mm
COVER TO COLUMNS = 35-40mm
COVER TO BEAMS = 35mm

MIX RATIO = 1:2:3 (CEMENT : SAND : AGGREGATE)

FOUNDATION PADS



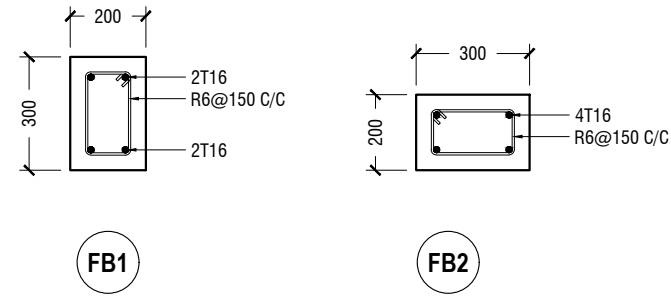
PLAN



SECTION

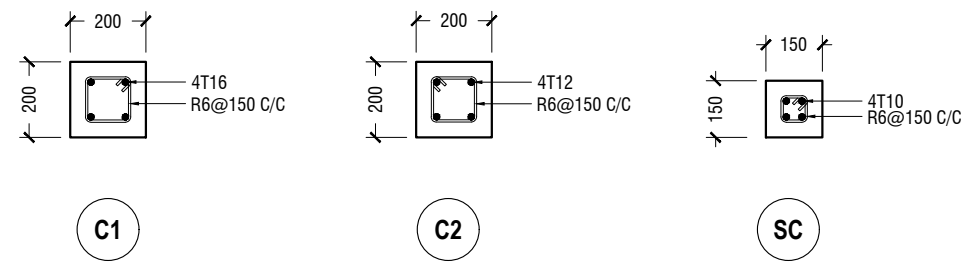
FOOTING DETAILS

SCALE 1:20



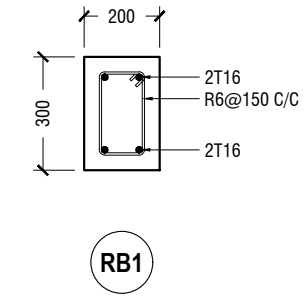
FOUNDATION BEAM DETAILS

SCALE 1:20



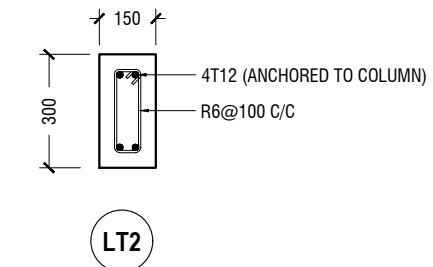
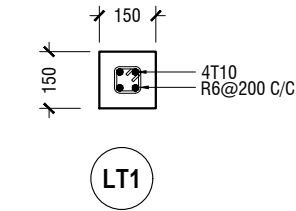
COLUMN DETAILS

SCALE 1:20



ROOF BEAM DETAIL

SCALE 1:20



LINTELS OVER ALL DOORS, WINDOWS
(THAT DOES NOT RISE TO ROOF BEAM LEVEL)
LT2 FOR WINDOW (W2) ONLY

LINTEL/SILL BEAM DETAIL

SCALE 1:20

STRUCTURAL DETAILS

SCALE 1:20

Kandoodhoo School
Client: Ministry of Education

Project Number: RI/2017/012
Date: March 2021
Architect: Razana Amir
Engineer: Inshan Waheed
Drawn by: Maryam Leevan Jaleel
Interior: Alshath Ahmed

Rev no	Date



RIYAN PRIVATE LIMITED

t: +9603315049 f: +9603310776
e: info@riyan.com.mv
w: www.riyan.com.mv
3rd floor, H. Azumi, Ameenemaggu, Male'

Title: Structural Details

Page: S-06/06

The contents of these drawings remain as a property of Riyan Private Limited. Any use other than those expressly stated is a violation of this copyright.