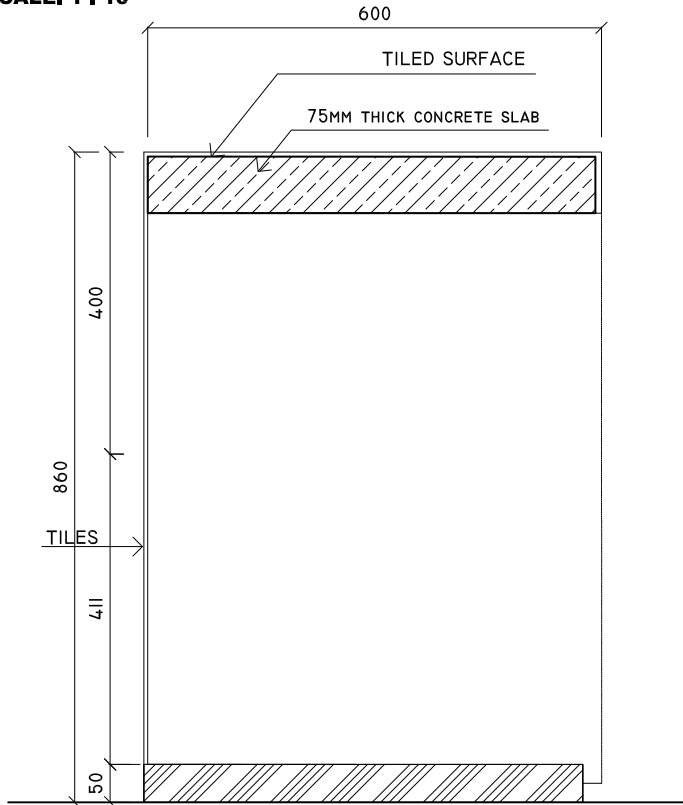


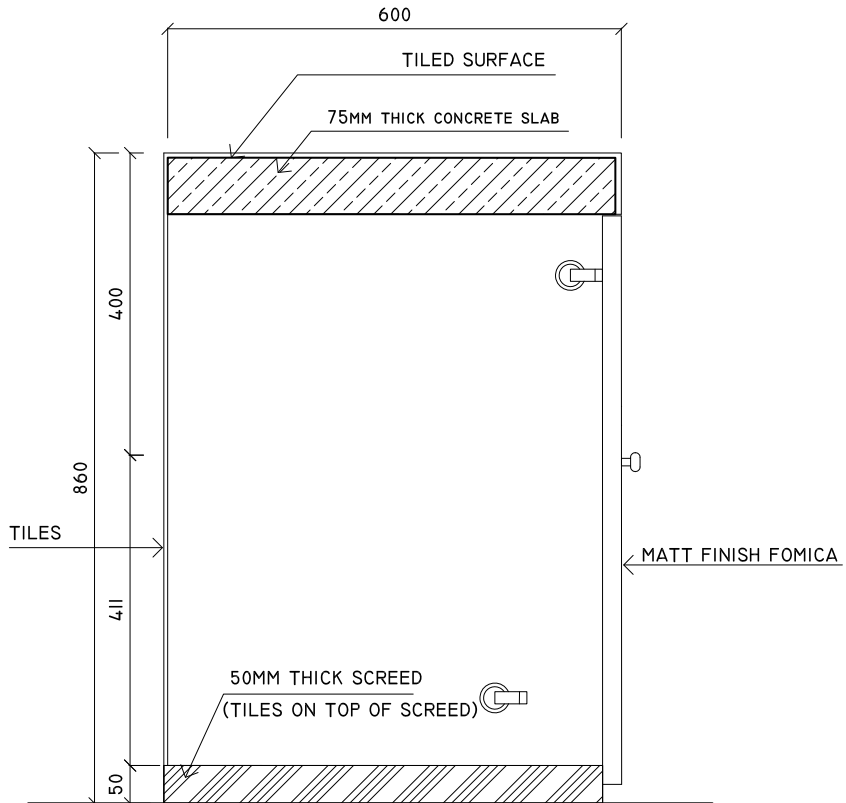
LAB CUPBOARD DETAIL B-B

SCALE: 1 : 10



LAB CUPBOARD DETAIL B-B

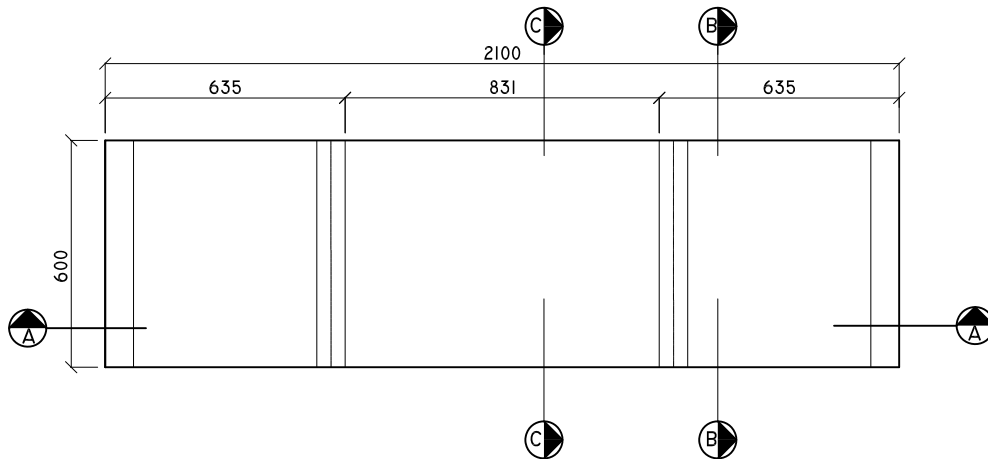
SCALE: 1 : 10



NOTE: PLEASE CHECK ALL MESUREMENTS ON SITE BEFORE CARRYING OUT WORK

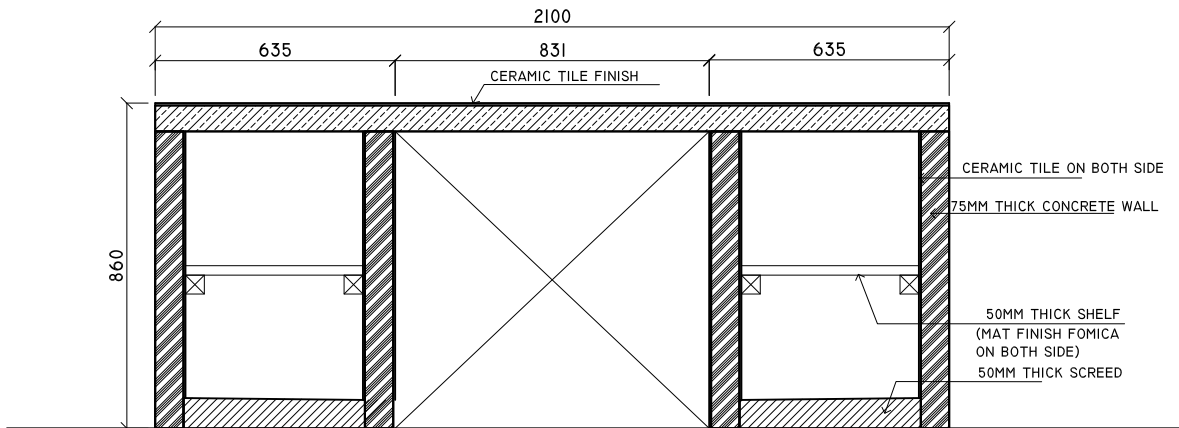
LAB CUPBOARD PLAN

SCALE: 1 : 20



LAB CUPBOARD SECTION A-A

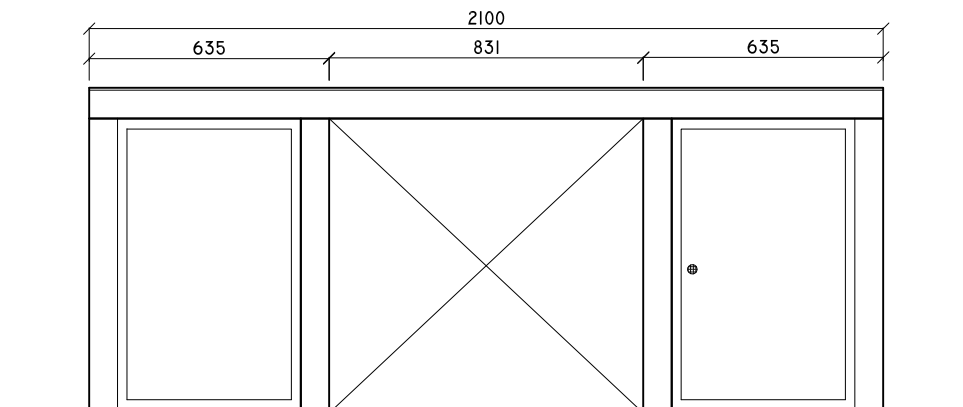
SCALE: 1 : 20



NOTE: PLEASE CHECK ALL MESUREMENTS ON SITE BEFOR CARRYING OUT WORK

LAB CUPBOARD FRONT ELEVATION

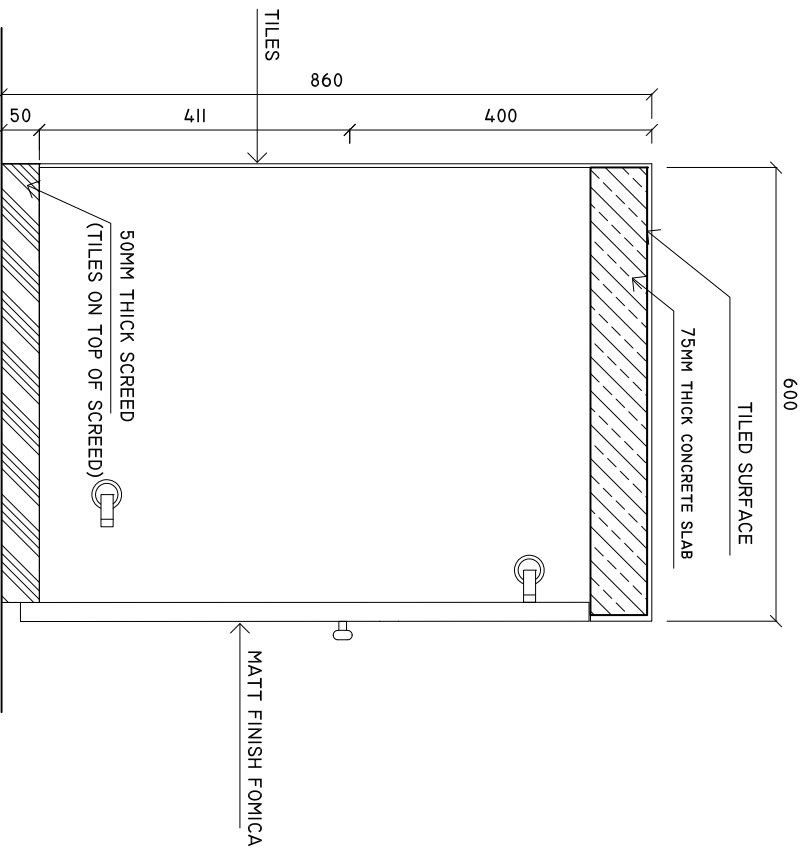
SCALE: 1 : 20



NOTE: PLEASE CHECK ALL MESUREMENTS ON SITE BEFOR CARRYING OUT WORK

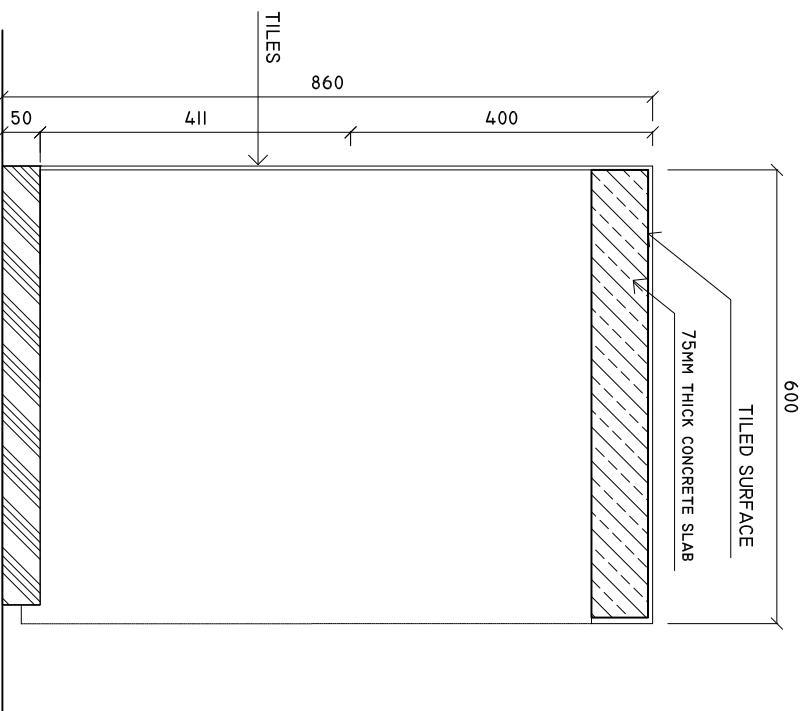
SINK CUPBOARD DETAIL B-B

SCALE: 1 : 10



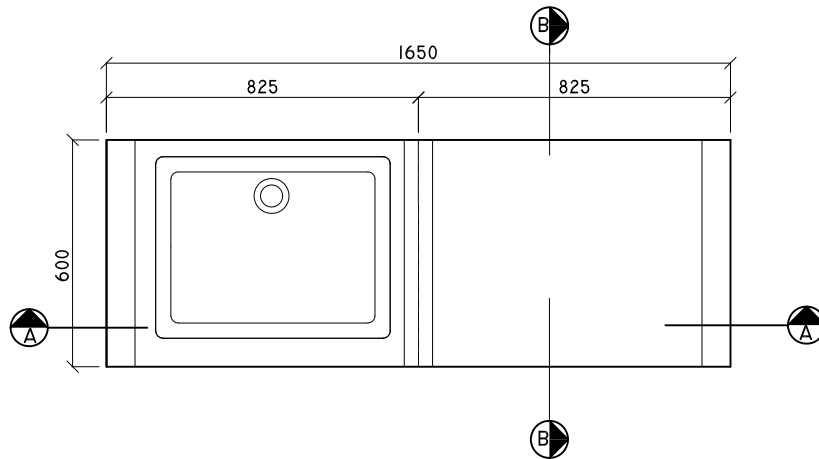
SNK CUPBOARD DETAIL B-B

SCALE: 1 : 10



LAB SINK CUPBOARD PLAN

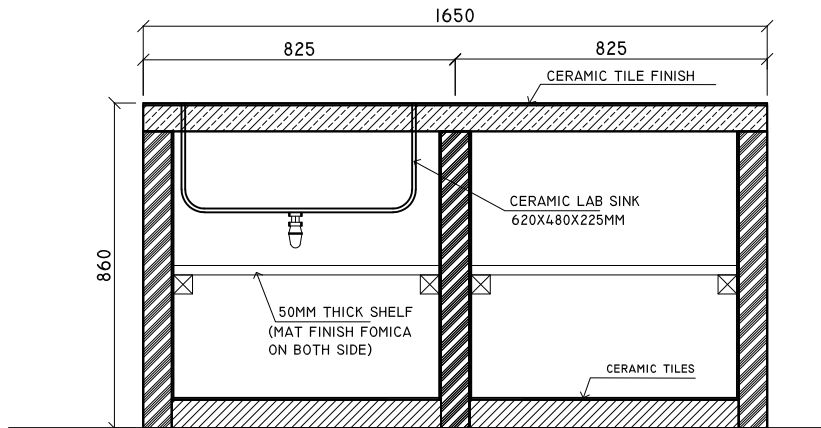
SCALE: 1 : 20



NOTE: PLEASE CHECK ALL MESUREMENTS ON SITE BEFOR CARRYING OUT WORK

LAB SINK CUPBOARD SECTION A-A

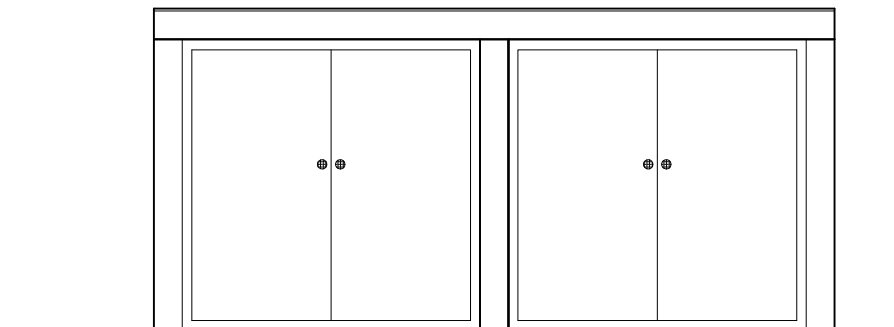
SCALE: 1 : 20



NOTE: PLEASE CHECK ALL MESUREMENTS ON SITE BEFOR CARRYING OUT WORK

LAB SINK CUPBOARD FRONT ELEVATION

SCALE: 1 : 20



NOTE: PLEASE CHECK ALL MESUREMENTS ON SITE BEFOR CARRYING OUT WORK

PROPOSED LABORATORY FLOOR PLAN

SCALE: 1 : 100

