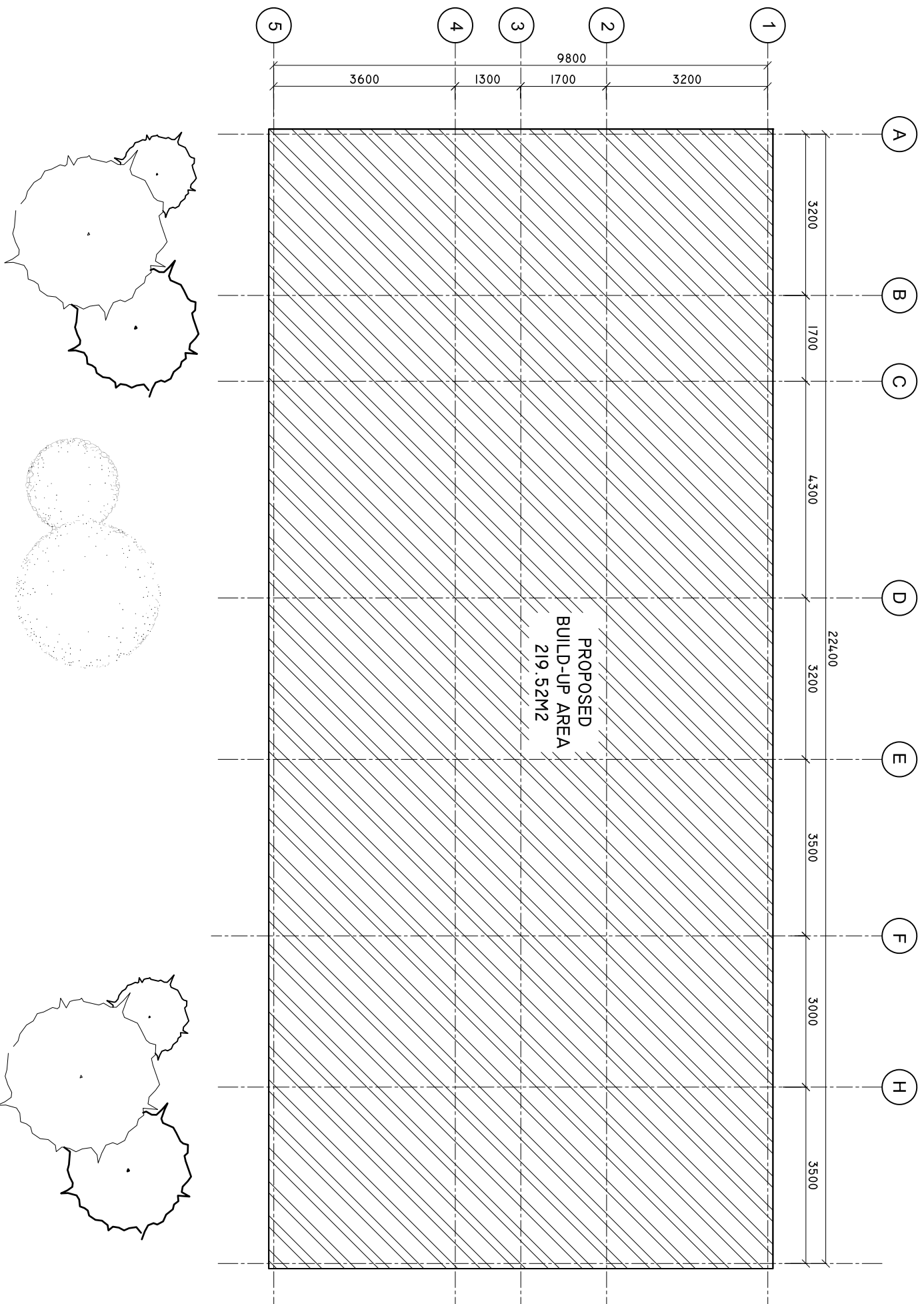


SITE PLAN

SCALE: 1 : 100



SHEET CONTENTS :

REVISION NOTES:

PROJECT:
CONSTRUCTION OF
OFFICE AND SERVICE
BLOCK

CLIENT:
MINISTRY OF HEALTH

LOCATION:
DIFFERENT ISLANDS

CONTENTS: AS GIVEN

PROJECT MANAGER:

DESIGNER: ARIZ

CIV/STR. ENGINEER:

SURVEYED BY: -

DRAWN BY: ARIZ

CHECKED BY:

DATE : FEB 2020

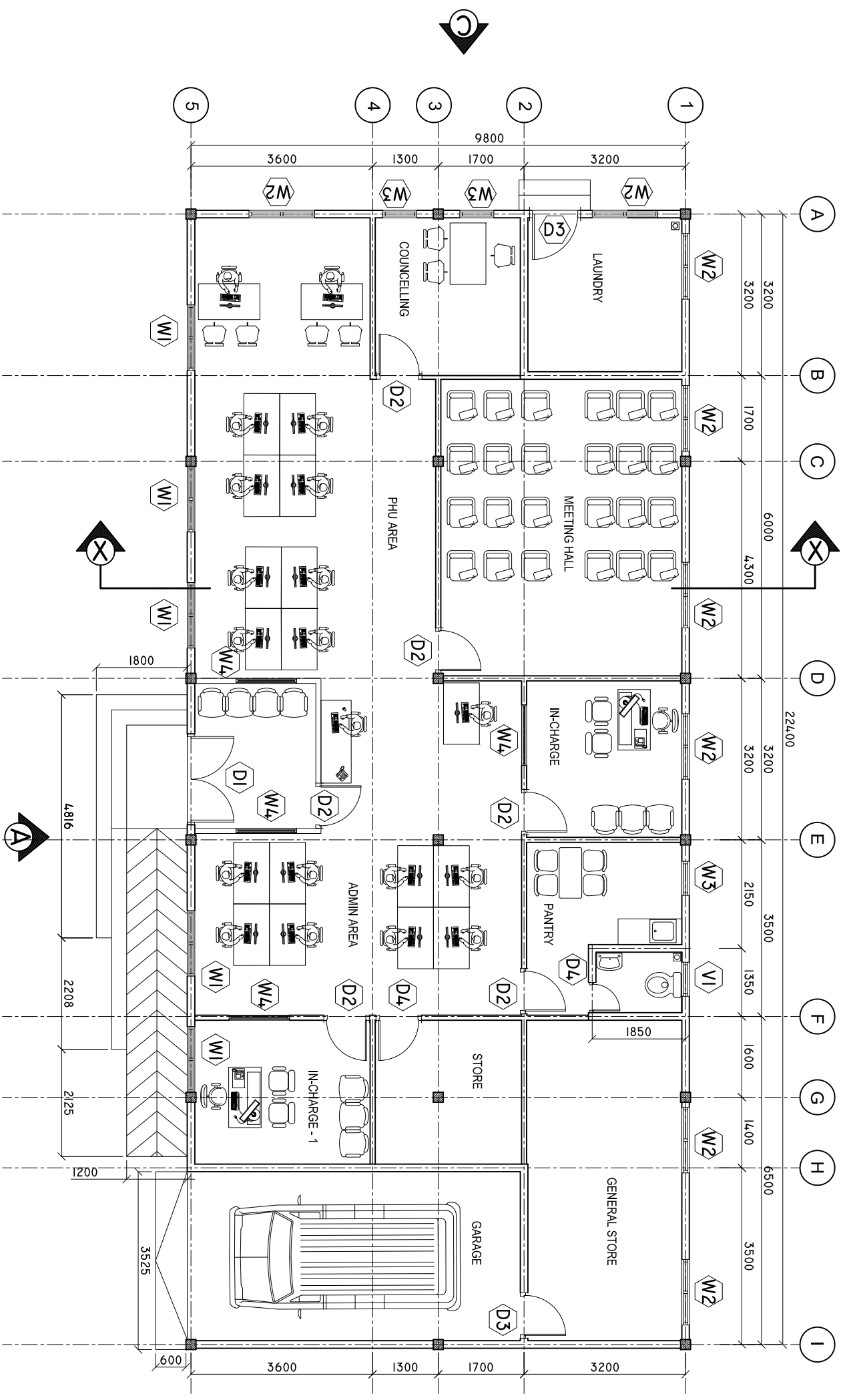
SHEET NO. : /



ADMIN DIVISION
Ministry of Health
Roshanae Building
Soana Maaga
Tel: 332 8887, Fax: 332 8889

FLOOR PLAN

SCALE: 1 : 100



SHEET CONTENTS :

REVISION NOTES:

PROJECT:
CONSTRUCTION OF
OFFICE AND SERVICE
BLOCK

CLIENT:
MINISTRY OF HEALTH

LOCATION:
DIFFERENT ISLANDS

CONTENTS: AS GIVEN

PROJECT MANAGER:

DESIGNER: ARIZ

CIV/STR. ENGINEER:

SURVEYED BY: -

DRAWN BY: ARIZ

CHECKED BY:

DATE : FEB 2020

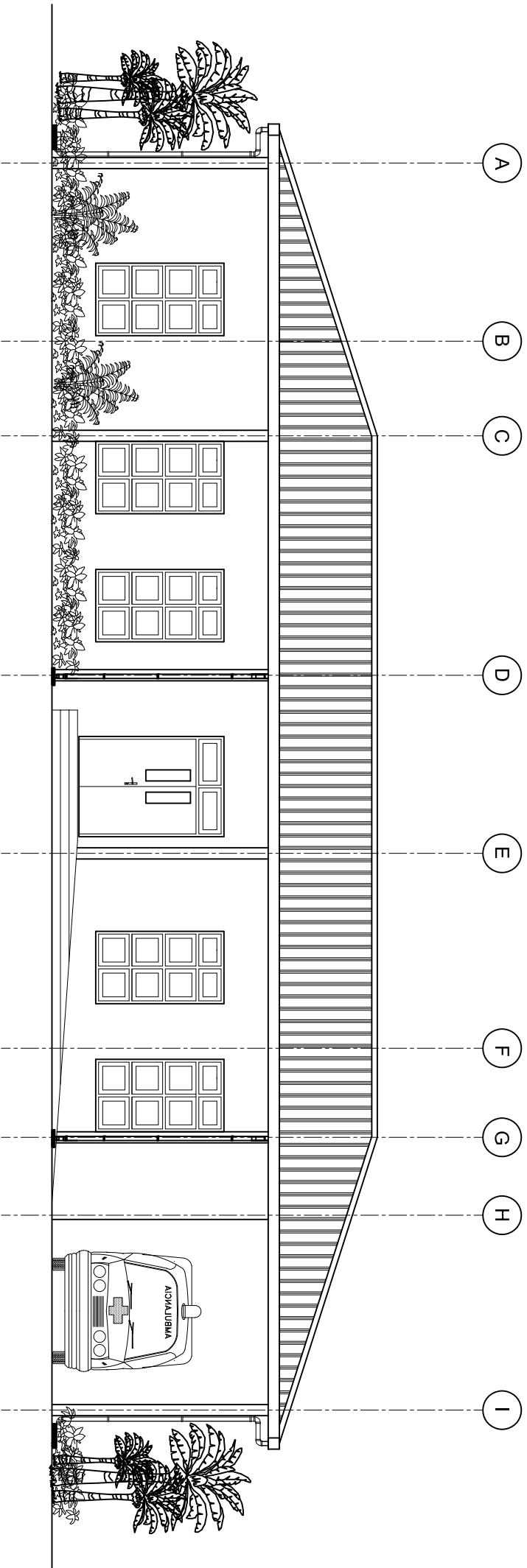
SHEET NO. : /



ADMIN DIVISION
Ministry of Health
Roshanee Building
Sasun Nagar
Tel: 332 8887, Fax: 332 8889

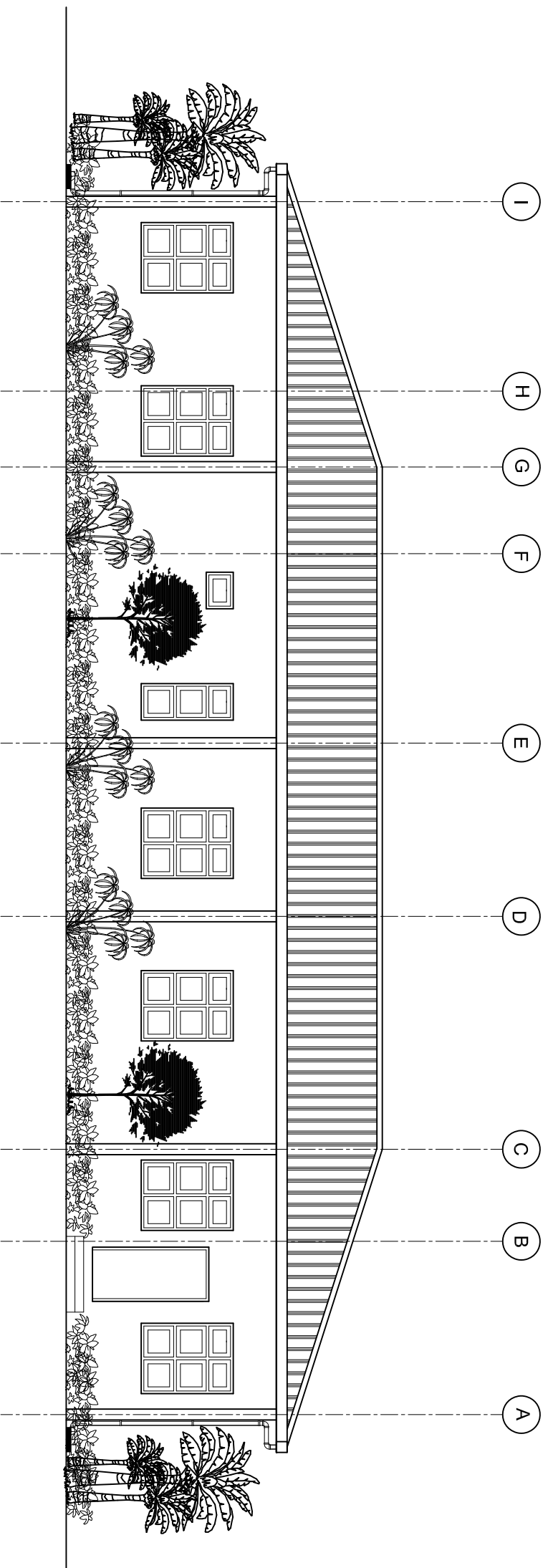
ELEVATION 'A'

SCALE: 1 : 100



ELEVATION 'B'

SCALE: 1 : 100



SHEET CONTENTS :

REVISION NOTES:

PROJECT:
CONSTRUCTION OF
OFFICE AND SERVICE
BLOCK

CLIENT:
MINISTRY OF HEALTH

LOCATION:
DIFFERENT ISLANDS

CONTENTS: AS GIVEN

PROJECT MANAGER:

DESIGNER: ARIZ

CIV/STR. ENGINEER:

SURVEYED BY: -

DRAWN BY: ARIZ

CHECKED BY:

DATE : FEB 2020

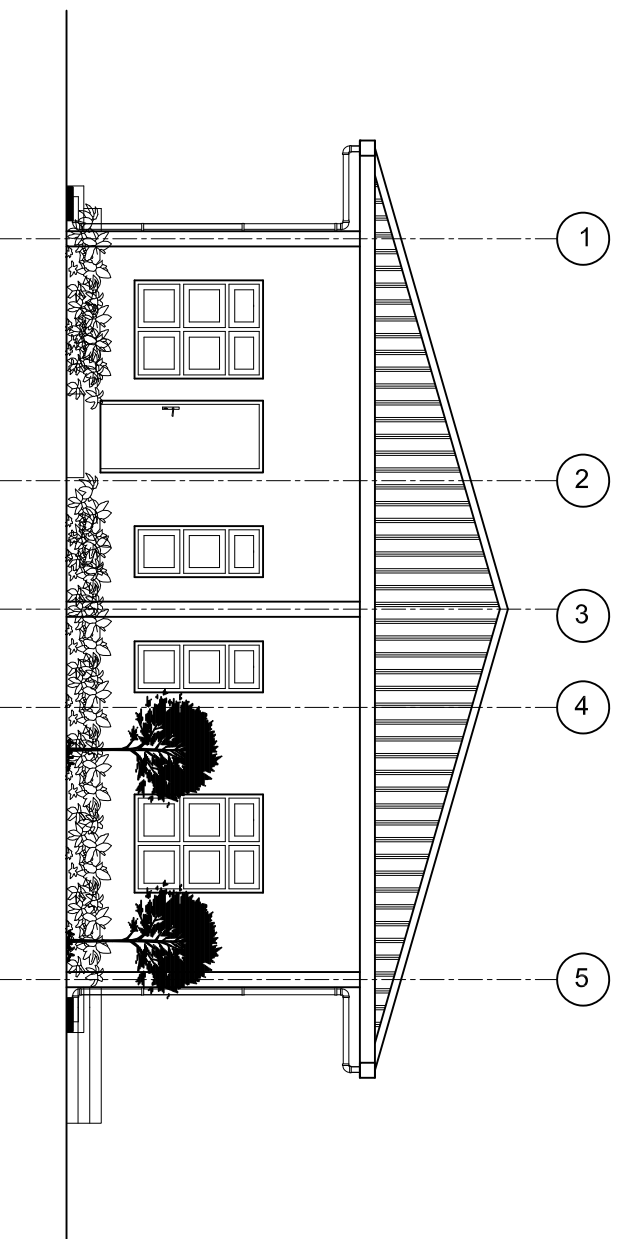
SHEET NO. : /



ADMIN DIVISION
Ministry of Health
Roshanwe Building
Soan Mazar
Tel: 332 8887, Fax: 332 8889

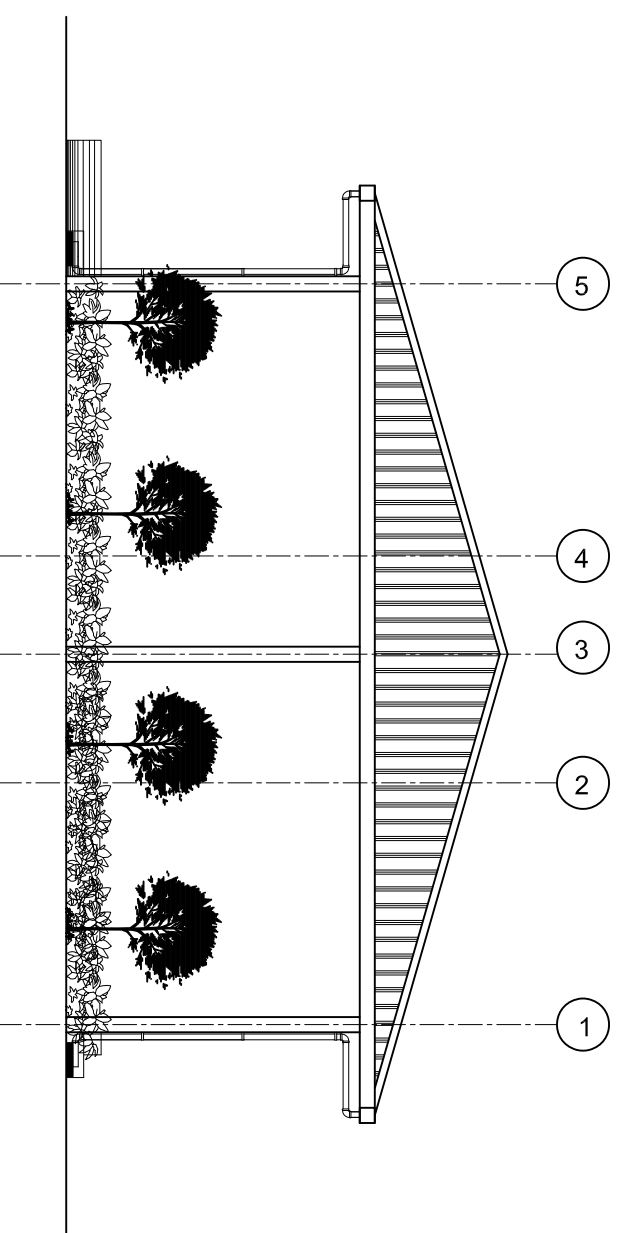
ELEVATION 'C'

SCALE: 1 : 100



ELEVATION 'D'

SCALE: 1 : 100



SHEET CONTENTS :

REVISION NOTES:

PROJECT:
CONSTRUCTION OF
OFFICE AND SERVICE
BLOCK

CLIENT:
MINISTRY OF HEALTH

LOCATION:
DIFFERENT ISLANDS

CONTENTS: AS GIVEN

PROJECT MANAGER:

DESIGNER: ARIZ

CIV/STR. ENGINEER:

SURVEYED BY: -

DRAWN BY: ARIZ

CHECKED BY:

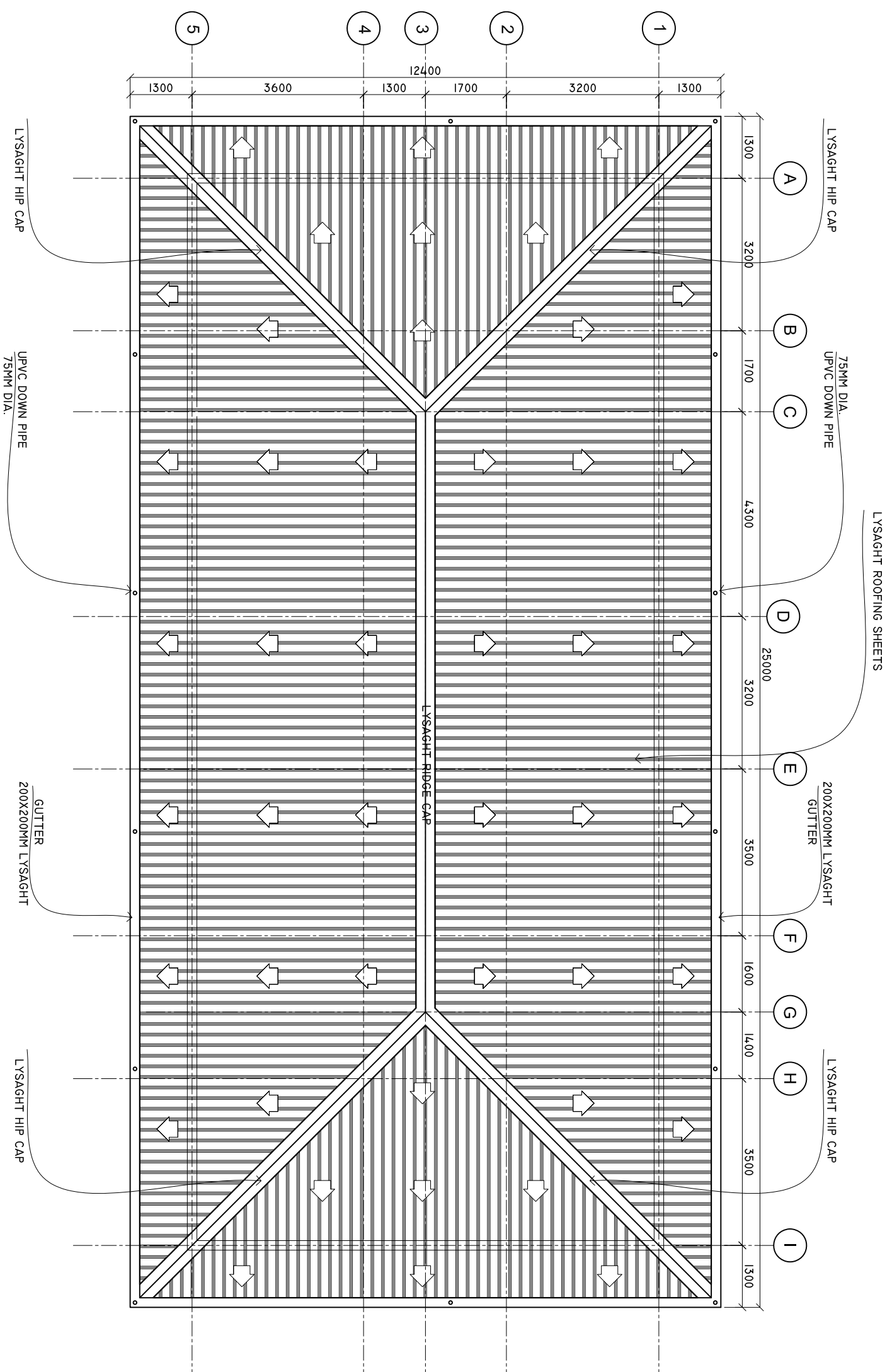
DATE : FEB 2020

SHEET NO. : /



ROOF PLAN

SCALE: 1 : 100



SHEET CONTENTS :

REVISION NOTES:

PROJECT:
CONSTRUCTION OF
OFFICE AND SERVICE
BLOCK

CLIENT:
MINISTRY OF HEALTH

LOCATION:
DIFFERENT ISLANDS

CONTENTS: AS GIVEN

PROJECT MANAGER:

DESIGNER: ARIZ

CIV/STR. ENGINEER:

SURVEYED BY: -

DRAWN BY: ARIZ

CHECKED BY:

DATE : FEB 2020

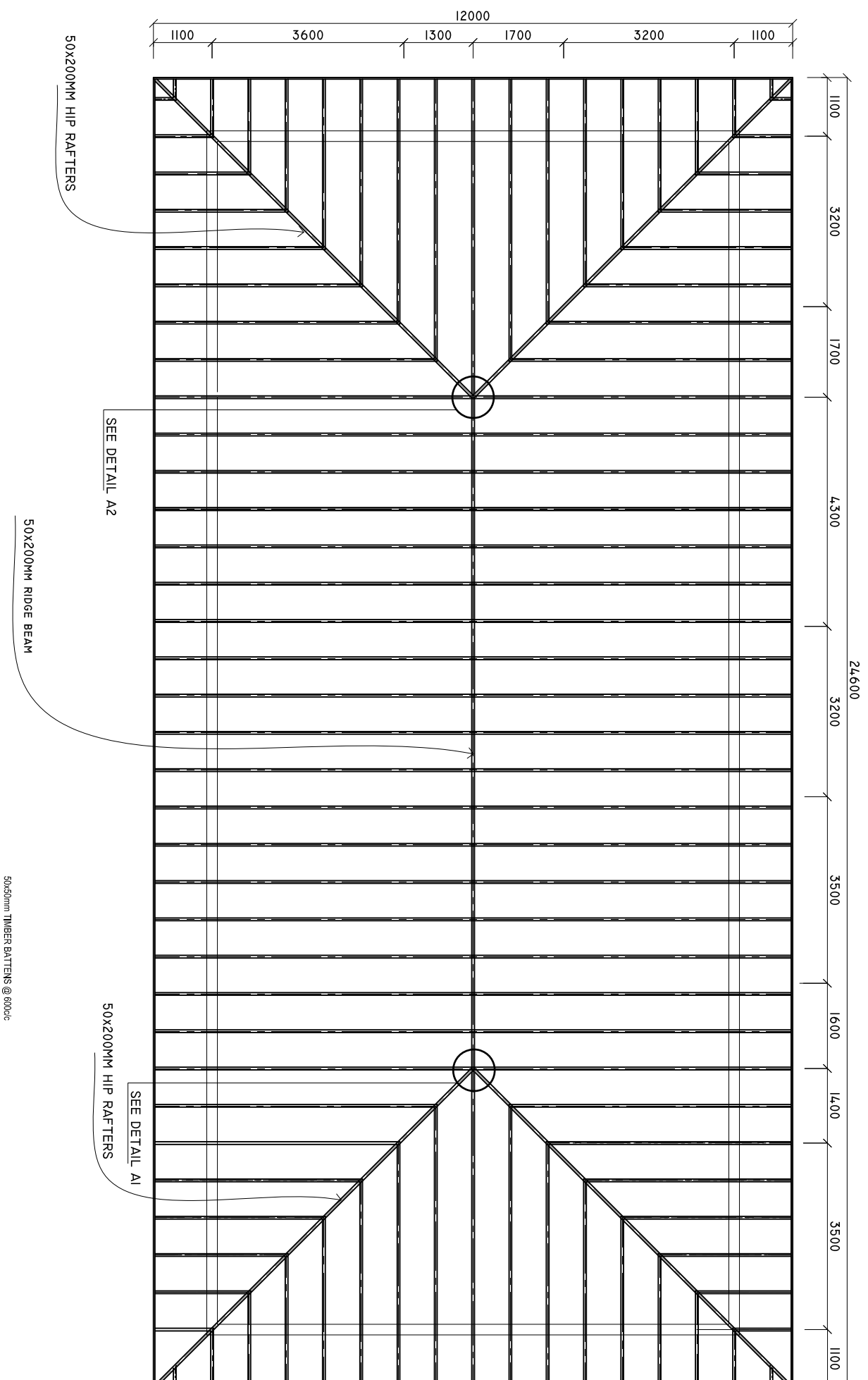
SHEET NO. : /



ADMIN DIVISION
Ministry of Health
Roshanah Building
Soana Maqat
Tel: 332 8887, Fax: 332 8889

ROOF FRAMING PLAN

SCALE: 1 : 100



SHEET CONTENTS :

REVISION NOTES:

PROJECT:
CONSTRUCTION OF
OFFICE AND SERVICE
BLOCK

CLIENT:
MINISTRY OF HEALTH

LOCATION:
DIFFERENT ISLANDS

CONTENTS: AS GIVEN

PROJECT MANAGER:

DESIGNER: ARIZ

CIV/STR. ENGINEER:

SURVEYED BY: -

DRAWN BY: ARIZ

CHECKED BY:

DATE : FEB 2020

SHEET NO. : /



ADMIN DIVISION
Ministry of Health
Roshanee Building
Soan Mazar
Tel: 332 8887, Fax: 3328889

DOORS AND WINDOWS SCHEDULE

Scale 1:50

SYMBOL	D1	D2	D3	D4	W1
ELEVATION					
LOCATION	GROUND FLOOR	GROUND FLOOR	GROUND FLOOR	GROUND FLOOR	GROUND FLOOR
DESCRIPTION	40MM THICK TOP HUNG DOOR FRAME: 120MM ALUMINUM FRAME 60-80 MICRON POWDER COATED, BLACK SANDY GRAY	50MM THICK OPENABLE TIMBER FRAMED DOOR FRAME: 120MM TIMBER FRAME WITH BORDER, PANEL: TIMBER FRAME WITH 6MM PLYWOOD, ON BOTH SIDE	40MM THICK OPENABLE ALUMINUM FRAMED DOOR 120MM ALUMINUM FRAME 60-80 MICRON POWDER COATED, BLACK SANDY GRAY	50MM THICK OPENABLE TIMBER FRAMED DOOR FRAME: 120MM TIMBER FRAME WITH BORDER, PANEL: TIMBER FRAME WITH 6MM PLYWOOD, ON BOTH SIDE	ALUMINUM FRAMED TOP HUNG WINDOW 120MM ALUMINUM FRAME 60-80 MICRON POWDER COATED, BLACK SANDY GRAY
HARDWARE	DOOR CLOSER HANDLE LOCK BUTT HINGE STOPPER HOLDER KICKER	DOOR CLOSER HANDLE LOCK BUTT HINGE STOPPER HOLDER KICKER	DOOR CLOSER HANDLE LOCK BUTT HINGE STOPPER HOLDER KICKER	DOOR CLOSER HANDLE LOCK BUTT HINGE STOPPER HOLDER KICKER	OPENABLE FRAME HANDLE LOCK
GLAZING	C-6MM ALL FIXED PANELS TO BE DOUBLE GLAZED	C-6MM ALL FIXED PANELS TO BE DOUBLE GLAZED	C-6MM ALL FIXED PANELS TO BE DOUBLE GLAZED	C-6MM ALL FIXED PANELS TO BE DOUBLE GLAZED	6MM THICK HEAT REFLECTIVE GLASS
NOTE	ALL MEASUREMENTS TO BE CHECKED ON SITE	ALL MEASUREMENTS TO BE CHECKED ON SITE	ALL MEASUREMENTS TO BE CHECKED ON SITE	ALL MEASUREMENTS TO BE CHECKED ON SITE	ALL MEASUREMENTS TO BE CHECKED ON SITE

SYMBOL	W2	W3	W4	V1
ELEVATION				
LOCATION	GROUND FLOOR	GROUND FLOOR	GROUND FLOOR	GROUND FLOOR
DESCRIPTION	ALUMINUM FRAMED TOP HUNG WINDOW 120MM ALUMINUM FRAME 60-80 MICRON POWDER COATED, BLACK SANDY GRAY	ALUMINUM FRAMED TOP HUNG WINDOW 120MM ALUMINUM FRAME 60-80 MICRON POWDER COATED, BLACK SANDY GRAY	ALUMINUM FRAMED FIX GLASS WINDOW 120MM ALUMINUM FRAME 80 MICRON WHITE POWDER COATED	ALUMINUM FRAMED TOP HUNG WINDOW 120MM ALUMINUM FRAME 60-80 MICRON POWDER COATED, BLACK SANDY GRAY
HARDWARE	OPENABLE FRAME HANDLE LOCK	OPENABLE FRAME HANDLE LOCK	OPENABLE FRAME HANDLE LOCK	OPENABLE FRAME HANDLE LOCK
GLAZING	6MM THICK HEAT REFLECTIVE GLASS	6MM THICK HEAT REFLECTIVE GLASS	6MM THICK HEAT REFLECTIVE GLASS	6MM THICK HEAT REFLECTIVE GLASS
NOTE	ALL MEASUREMENTS TO BE CHECKED ON SITE	ALL MEASUREMENTS TO BE CHECKED ON SITE	ALL MEASUREMENTS TO BE CHECKED ON SITE	ALL MEASUREMENTS TO BE CHECKED ON SITE

NOTE:

PROVIDE RC LINTEL ABOVE ALL DOOR/WINDOW/VENTILATOR UNITS NOT FIXED TO BEAMS
AND PROVIDE RC SILL BEAMS UNDER ALL WINDOW UNITS
ALL TIMBER DOORS TO BE MADE OF TIMBER, PUTTY SMOOTHED AND FINISHED WITH ENAMEL PAINT AS SPECIFIED

ALL MEASUREMENTS TO BE CHECKED ON SITE BEFORE FABRICATION
GL = 6MM THICK CLEAR GLASS
GLI = 6MM THICK HEAT REFLECTIVE GLASS
FGI = 6MM THICK CLEAR GLASS
ALL THE ALUMINUM PROFILE MUST BE MINIMUM 2MM THICK.

SHEET CONTENTS :

REVISION NOTES:

PROJECT:
CONSTRUCTION OF
OFFICE AND SERVICE
BLOCK

CLIENT:
MINISTRY OF HEALTH

LOCATION:
DIFFERENT ISLANDS

CONTENTS: AS GIVEN

PROJECT MANAGER:

DESIGNER: ARIZ

CIV/STR. ENGINEER:

SURVEYED BY: -

DRAWN BY: ARIZ

CHECKED BY:

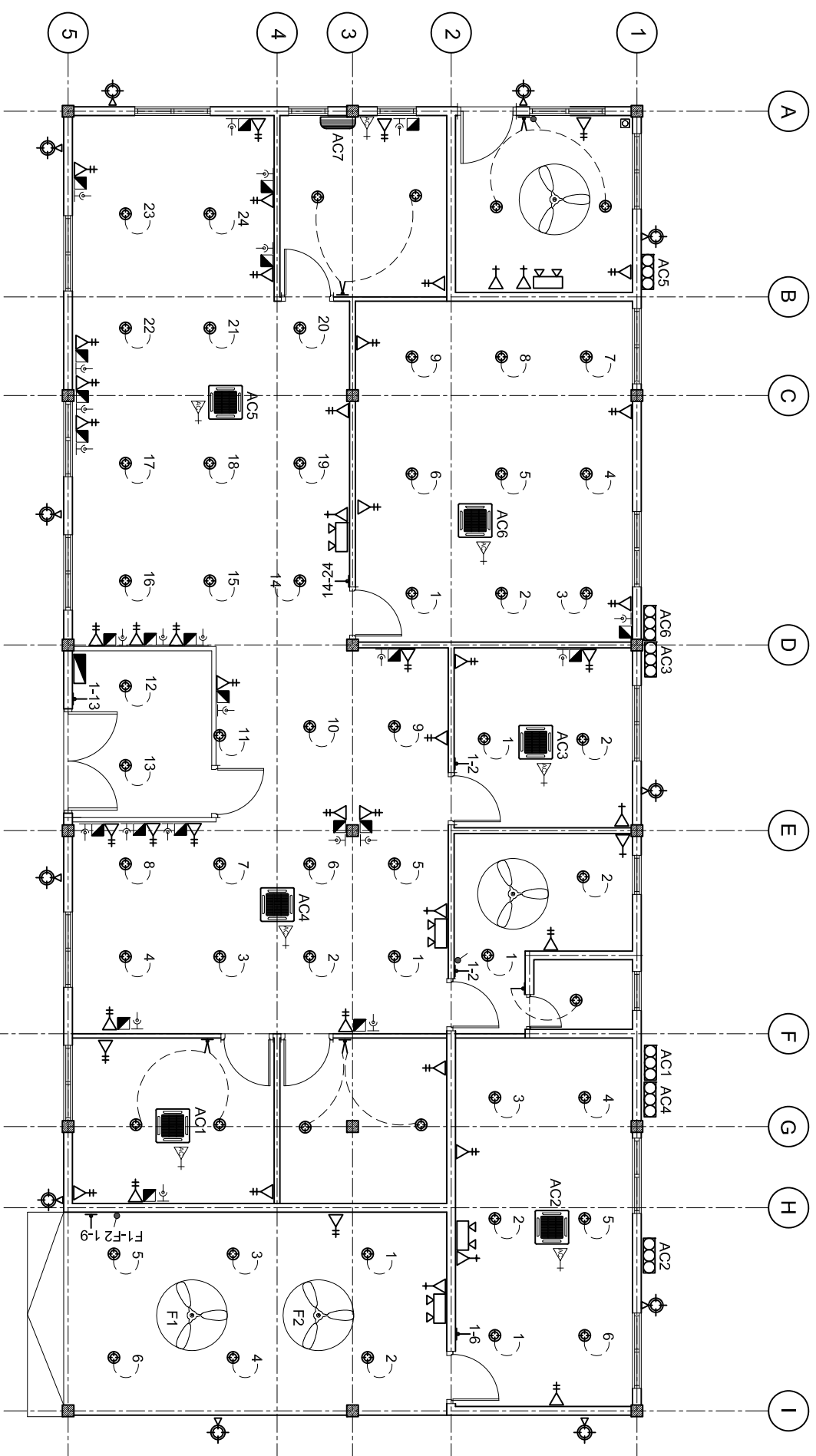
DATE : FEB 2020

SHEET NO. : /



ELECTRICAL LAYOUT

SCALE: 1 : 100



LEGEND

SYMBOL	DESCRIPTION
	LED BULB WITH 150MM DOWN LIGHT
	1 x 13 AMP SOCKET OUTLET (1600MM ABOVE FFL)
	2 x 13 AMP SOCKET OUTLET (600MM ABOVE FFL)
	1 x 15 AMP SOCKET OUTLET (600MM ABOVE FFL)
	1 x 15 AMP AC SOCKET OUTLET (300MM BLW, CEILING)
	TWO GANG SWITCH
	ONE WAY SWITCH
	EMERGENCY LIGHT
	DISTRIBUTION BOARD (WALL EMBEDDED)
	AC WALL MOUNT UNIT
	TELEPHONE SOCKET
	NETWORK SOCKET

LEGEND

SYMBOL	DESCRIPTION
	1 x 13 AMP SOCKET OUTLET (200MM BELOW CEILING)
	WALL MOUNT FAN
	FAN REGULATOR
	5W BULB WITH COVERED
	CEILING FAN 1200MM DIA.
	AC INDOOR UNIT, CEILING CASSETTE TYPE
	OUTDOOR LIGHT
	AC OUTDOOR UNIT

SHEET CONTENTS :

REVISION NOTES:

PROJECT:
CONSTRUCTION OF
OFFICE AND SERVICE
BLOCK

CLIENT:
MINISTRY OF HEALTH

LOCATION:
DIFFERENT ISLANDS

CONTENTS: AS GIVEN
PROJECT MANAGER:
DESIGNER: ARIZ
CIV/STR. ENGINEER:
SURVEYED BY: -
DRAWN BY: ARIZ
CHECKED BY:
DATE : FEB 2020
SHEET NO. : /



ADMIN DIVISION
Ministry of Health
Roshanara Building
Sasana Malaga
Tel: 332 8887, Fax: 332 8889

WALL DETAILS

SCALE: 1 : 100



SHEET CONTENTS :

REVISION NOTES:

PROJECT:
CONSTRUCTION OF
OFFICE AND SERVICE
BLOCK

CLIENT:
MINISTRY OF HEALTH

LOCATION:
DIFFERENT ISLANDS

CONTENTS: AS GIVEN

PROJECT MANAGER:

DESIGNER: ARIZ

CIV/STR. ENGINEER:

SURVEYED BY: -

DRAWN BY: ARIZ

CHECKED BY:

DATE : FEB 2020

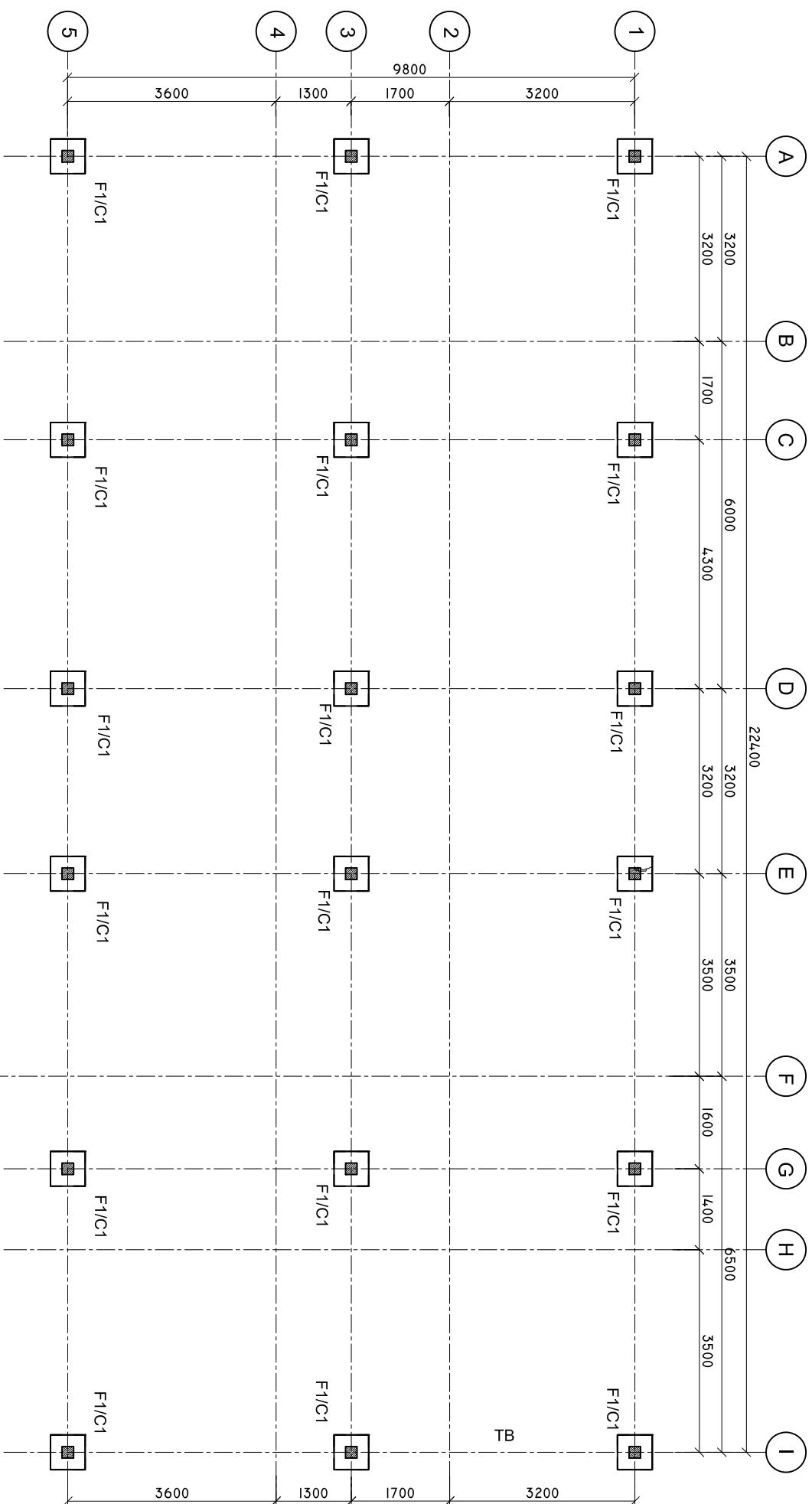
SHEET NO. : /



ADMIN DIVISION
Ministry of Health
Roshanee Building
Soana Maaga
Tel: 332 8887, Fax: 332 8889

COLUMN AND FOOTING PLAN

SCALE: 1 : 100



SHEET CONTENTS :

REVISION NOTES:

PROJECT:
CONSTRUCTION OF
OFFICE AND SERVICE
BLOCK

CLIENT:
MINISTRY OF HEALTH

LOCATION:
DIFFERENT ISLANDS

CONTENTS: AS GIVEN

PROJECT MANAGER:

DESIGNER: ARIZ

CIV/STR. ENGINEER:

SURVEYED BY: -

DRAWN BY: ARIZ

CHECKED BY:

DATE : FEB 2020

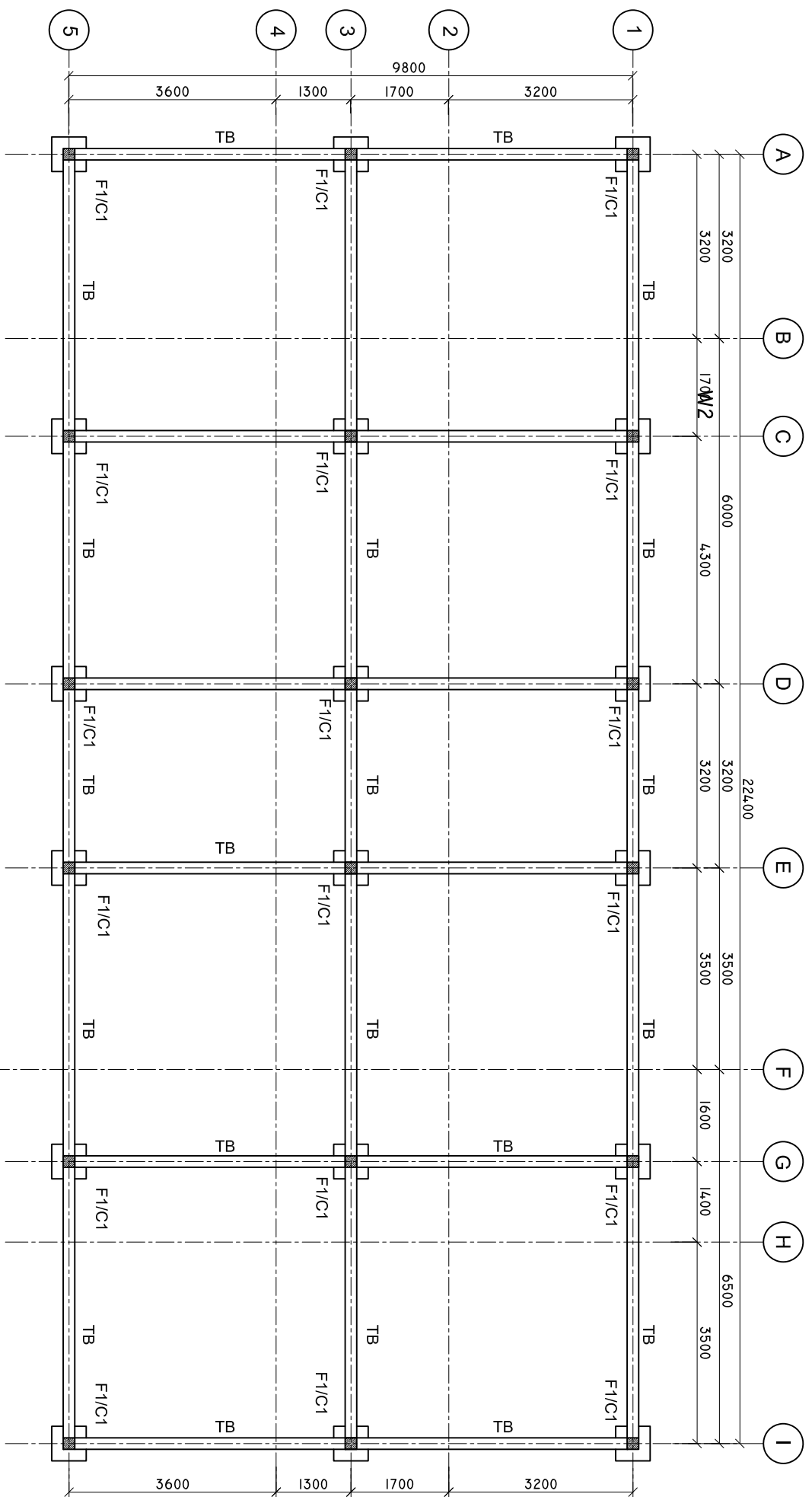
SHEET NO. : /



ADMIN DIVISION
Ministry of Health
Roshanah Building
Soana Maqat
Tel: 332 8887, Fax: 332 8889

TIE BEAM PLAN

SCALE: 1 : 100



SHEET CONTENTS :

REVISION NOTES:

PROJECT:
CONSTRUCTION OF
OFFICE AND SERVICE
BLOCK

CLIENT:
MINISTRY OF HEALTH

LOCATION:
DIFFERENT ISLANDS

CONTENTS: AS GIVEN

PROJECT MANAGER:

DESIGNER: ARIZ

CIV/STR. ENGINEER:

SURVEYED BY: -

DRAWN BY: ARIZ

CHECKED BY:

DATE : FEB 2020

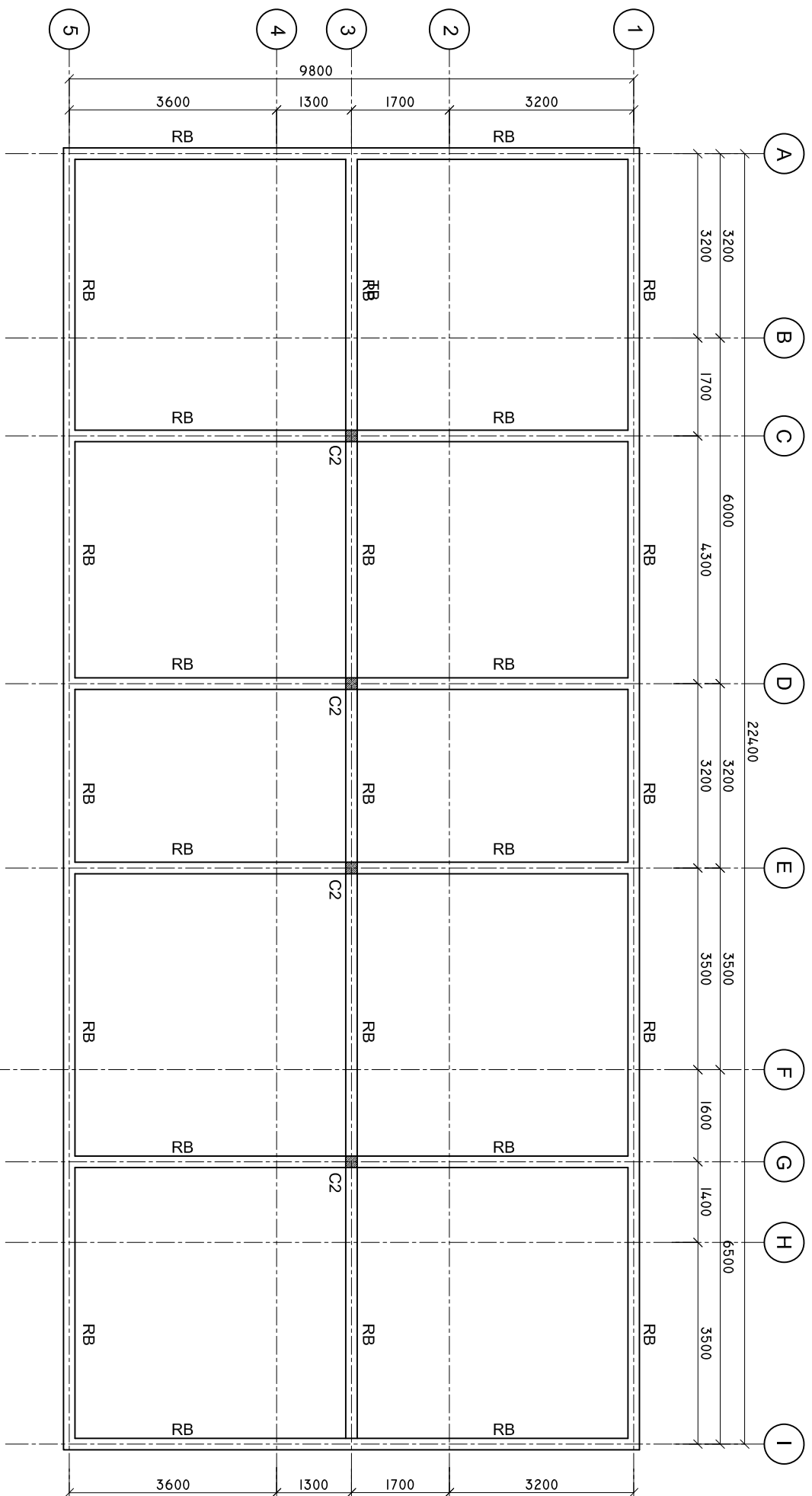
SHEET NO. : /



ADMIN DIVISION
Ministry of Health
Roshara Building
Soana Malga
Tel: 332 8887, Fax: 332 8889

ROOF BEAM PLAN

SCALE: 1 : 100



SHEET CONTENTS :

REVISION NOTES:

PROJECT:
CONSTRUCTION OF
OFFICE AND SERVICE
BLOCK

CLIENT:
MINISTRY OF HEALTH

LOCATION:
DIFFERENT ISLANDS

CONTENTS: AS GIVEN

PROJECT MANAGER:

DESIGNER: ARIZ

CIV/STR. ENGINEER:

SURVEYED BY: -

DRAWN BY: ARIZ

CHECKED BY:

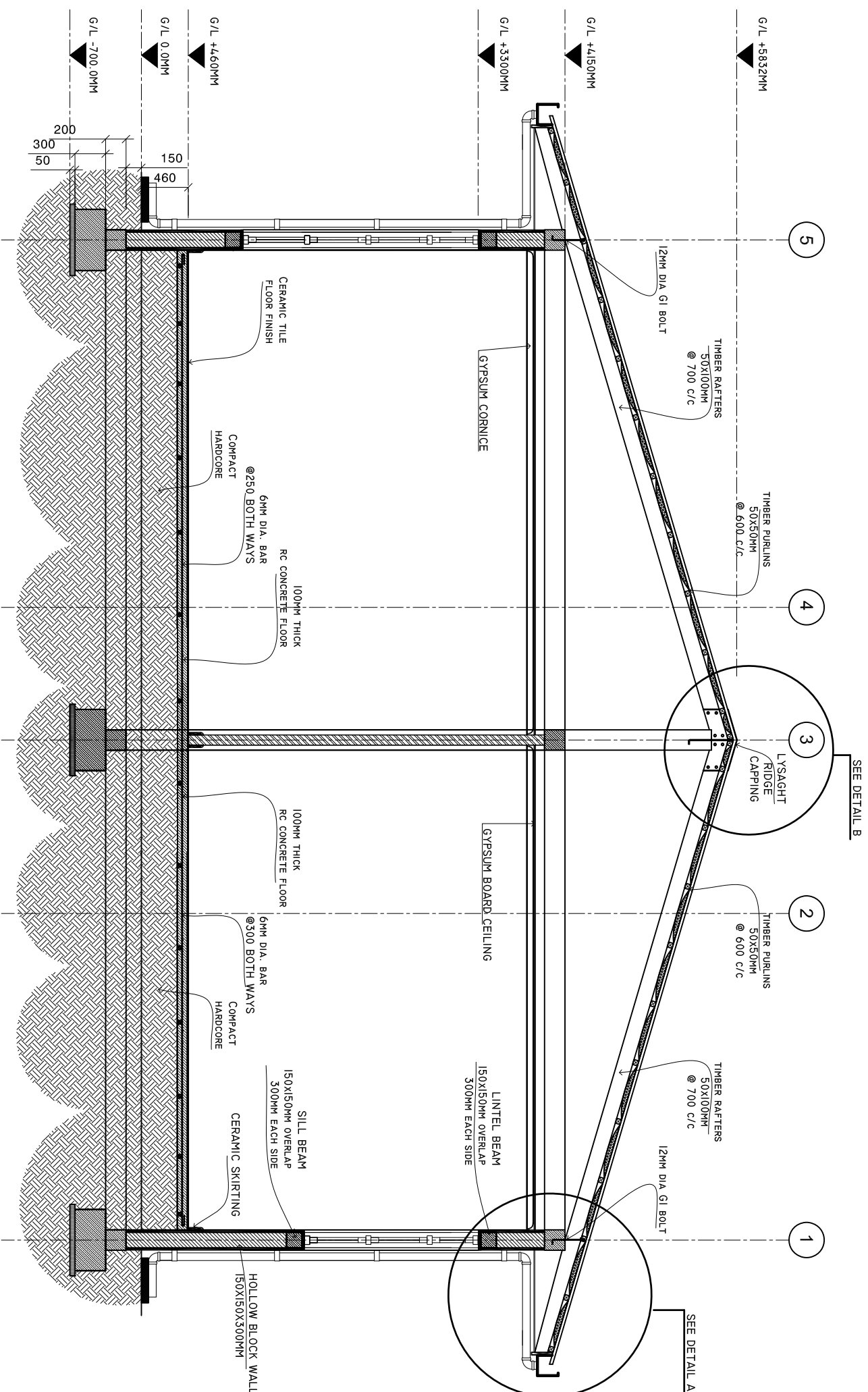
DATE : FEB 2020

SHEET NO. : /



CROSS SECTION X-X

SCALE: 1 : 50



SHEET CONTENTS :

REVISION NOTES:

PROJECT:
CONSTRUCTION OF
OFFICE AND SERVICE
BLOCK

CLIENT:
MINISTRY OF HEALTH

LOCATION:
DIFFERENT ISLANDS

CONTENTS: AS GIVEN

PROJECT MANAGER:

DESIGNER: ARIZ

CIV/STR. ENGINEER:

SURVEYED BY: -

DRAWN BY: ARIZ

CHECKED BY:

DATE : FEB 2020

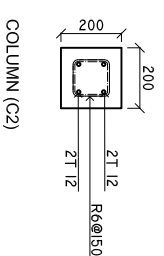
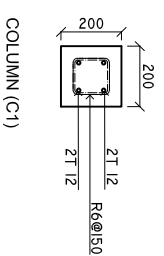
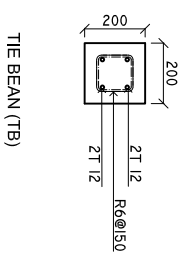
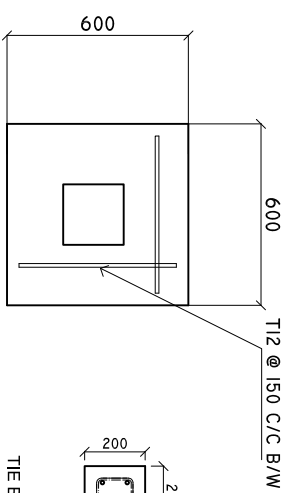
SHEET NO. : /



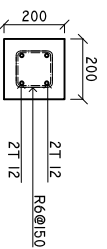
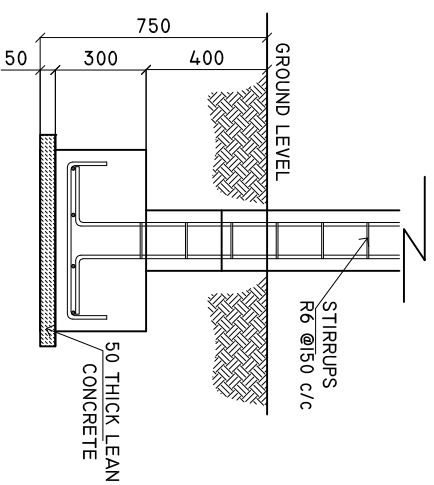
ADMIN DIVISION
Ministry of Health
Roshanra Building
Soan Mazar
Tel: 332 8887, Fax: 332 8889

DETAILS R/C

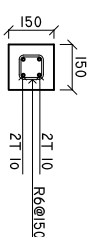
SCALE: 1 : 25



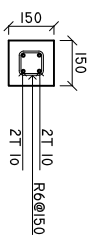
F1



ROOF BEAM (RB)



LINTEL BEAM



SILL BEAM

MINIMUM 50MM COVER BELOW GROUND LEVEL	ALL BAR BENDING & OVERLAPS AS PER ACTUAL BS STANDARD.
MINIMUM 30MM COVER ABOVE GROUND LEVEL	

NOTE:
LINTEL BEAMS TO BE LAID ABOVE AND BELOW ALL WINDOWS AND ALL DOORS.

SHEET CONTENTS :

REVISION NOTES:

PROJECT:
CONSTRUCTION OF
OFFICE AND SERVICE
BLOCK

CLIENT:
MINISTRY OF HEALTH

LOCATION:
DIFFERENT ISLANDS

CONTENTS: AS GIVEN

PROJECT MANAGER:

DESIGNER: ARIZ

CIV/STR. ENGINEER:

SURVEYED BY: -

DRAWN BY: ARIZ

CHECKED BY:

DATE : FEB 2020

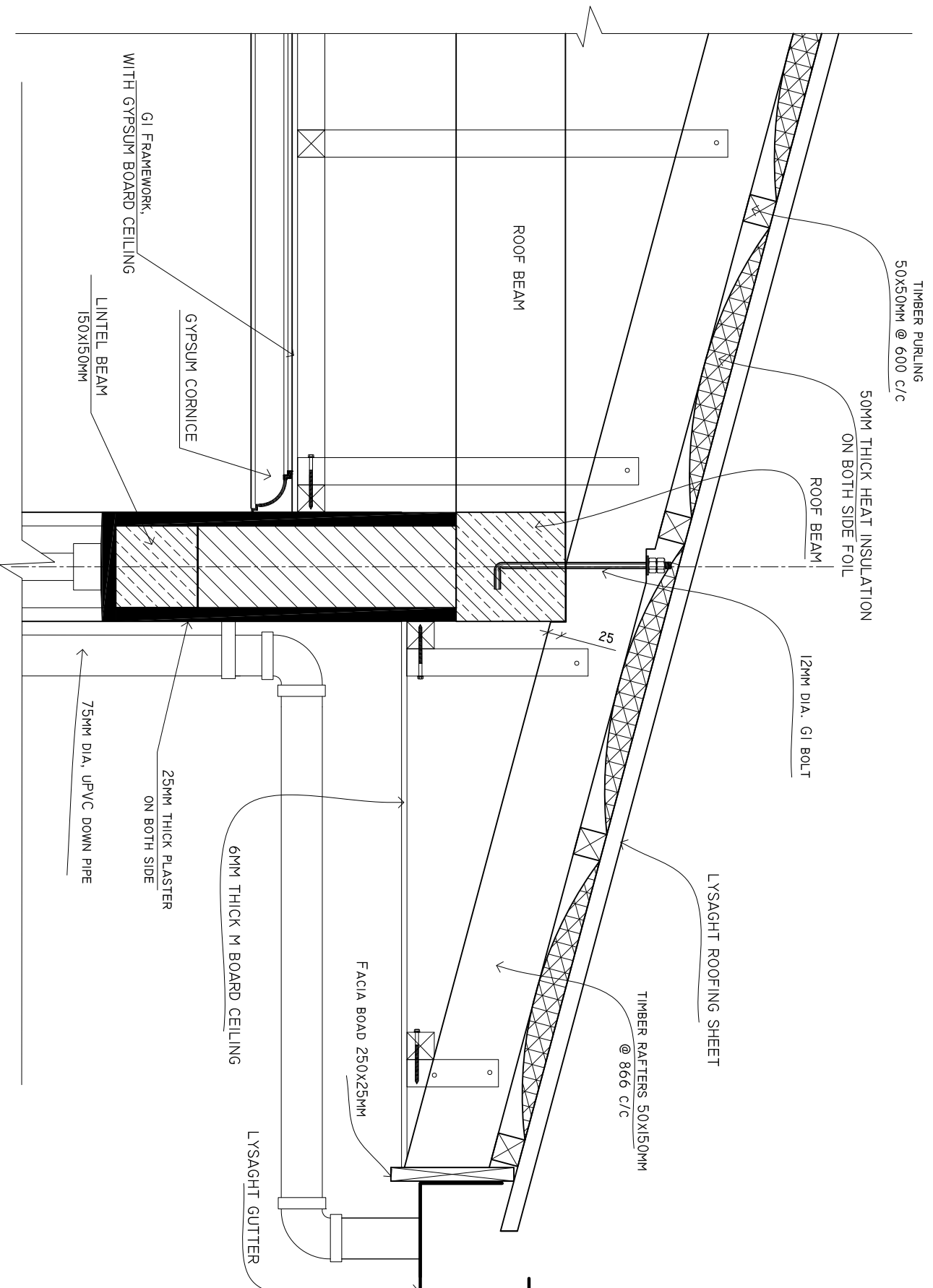
SHEET NO. : /



ADMIN DIVISION
Ministry of Health
Roshanae Building
Soan Mazar
Tel: 332 8887, Fax: 3328889

DETAIL A

SCALE: 1 : 10



SHEET CONTENTS :

REVISION NOTES:

PROJECT:
CONSTRUCTION OF
OFFICE AND SERVICE
BLOCK

CLIENT:
MINISTRY OF HEALTH

LOCATION:
DIFFERENT ISLANDS

CONTENTS: AS GIVEN

PROJECT MANAGER:

DESIGNER: ARIZ

CV/STR. ENGINEER:

SURVEYED BY: -

DRAWN BY: ARIZ

CHECKED BY:

DATE : FEB 2020

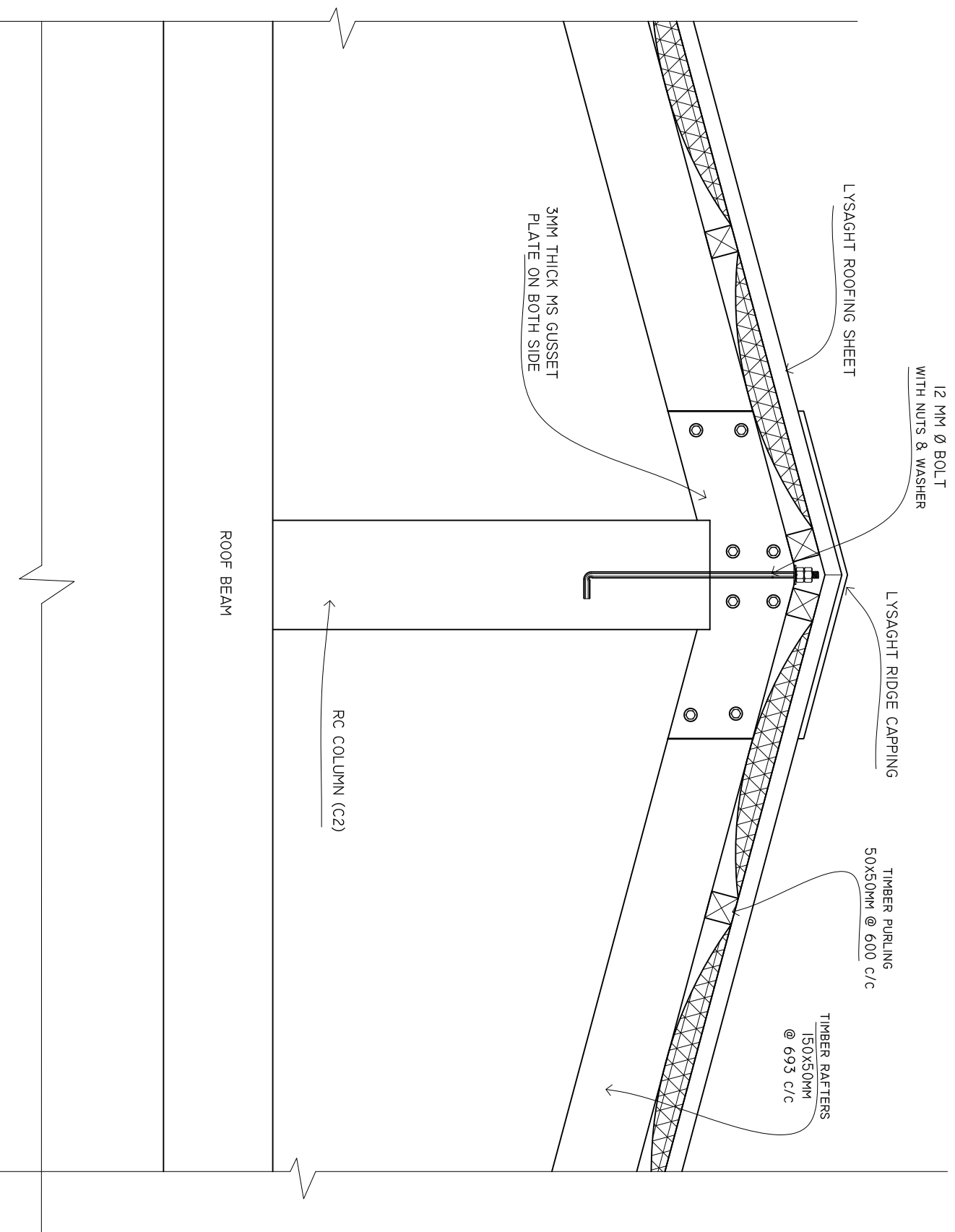
SHEET NO. : /



ADMIN DIVISION
Ministry of Health
Roshanae Building
Soana Malaga
Tel: 332 8887, Fax: 332 8889

DETAIL B

SCALE: 1 : 10



SHEET CONTENTS :

REVISION NOTES:

PROJECT:
CONSTRUCTION OF
OFFICE AND SERVICE
BLOCK

CLIENT:
MINISTRY OF HEALTH

LOCATION:
DIFFERENT ISLANDS

CONTENTS: AS GIVEN

PROJECT MANAGER:

DESIGNER: ARIZ

CV/STR. ENGINEER:

SURVEYED BY: -

DRAWN BY: ARIZ

CHECKED BY:

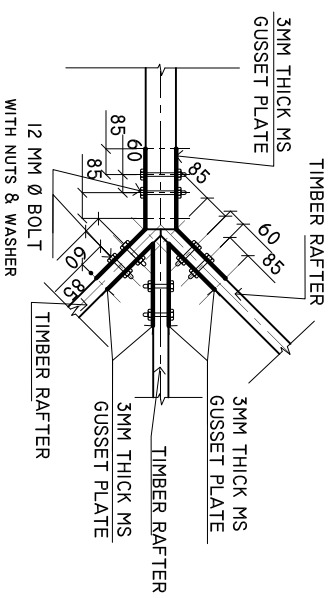
DATE : FEB 2020

SHEET NO. : /

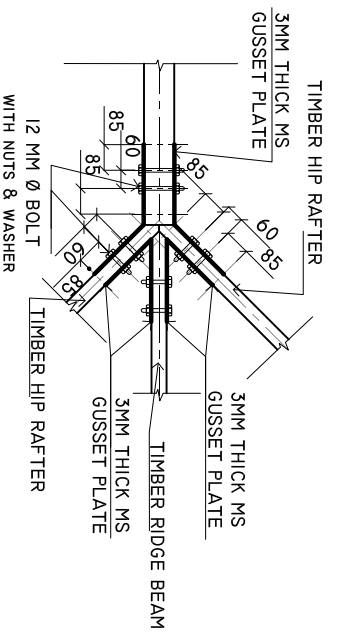


ADMIN DIVISION
Ministry of Health
Roshanae Building
Soana Maqat
Tel: 332 8887, Fax: 332 8889

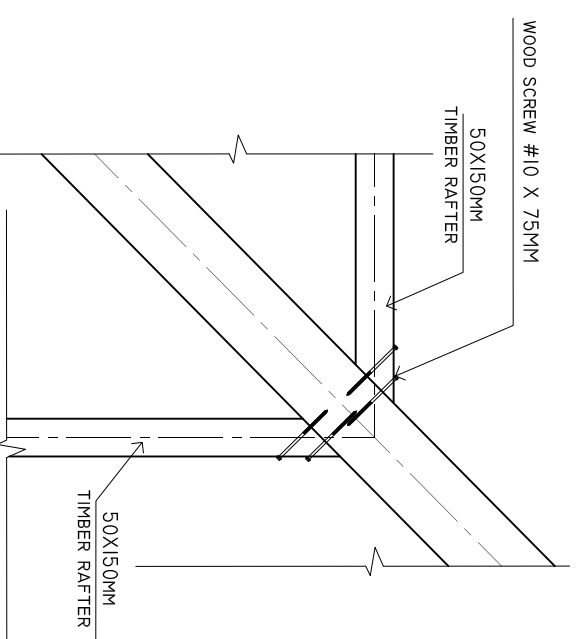
DETAILS A1
SCALE: 1 : 25



DETAILS A2
SCALE: 1 : 25



HIP RAFTER CONNECTIO DETAIL
SCALE: 1 : 10



SHEET CONTENTS :

REVISION NOTES:

PROJECT:
CONSTRUCTION OF
OFFICE AND SERVICE
BLOCK

CLIENT:
MINISTRY OF HEALTH

LOCATION:
DIFFERENT ISLANDS

CONTENTS: AS GIVEN

PROJECT MANAGER:

DESIGNER: ARIZ

CV/STR. ENGINEER:

SURVEYED BY: -

DRAWN BY: ARIZ

CHECKED BY:

DATE : FEB 2020

SHEET NO. : /

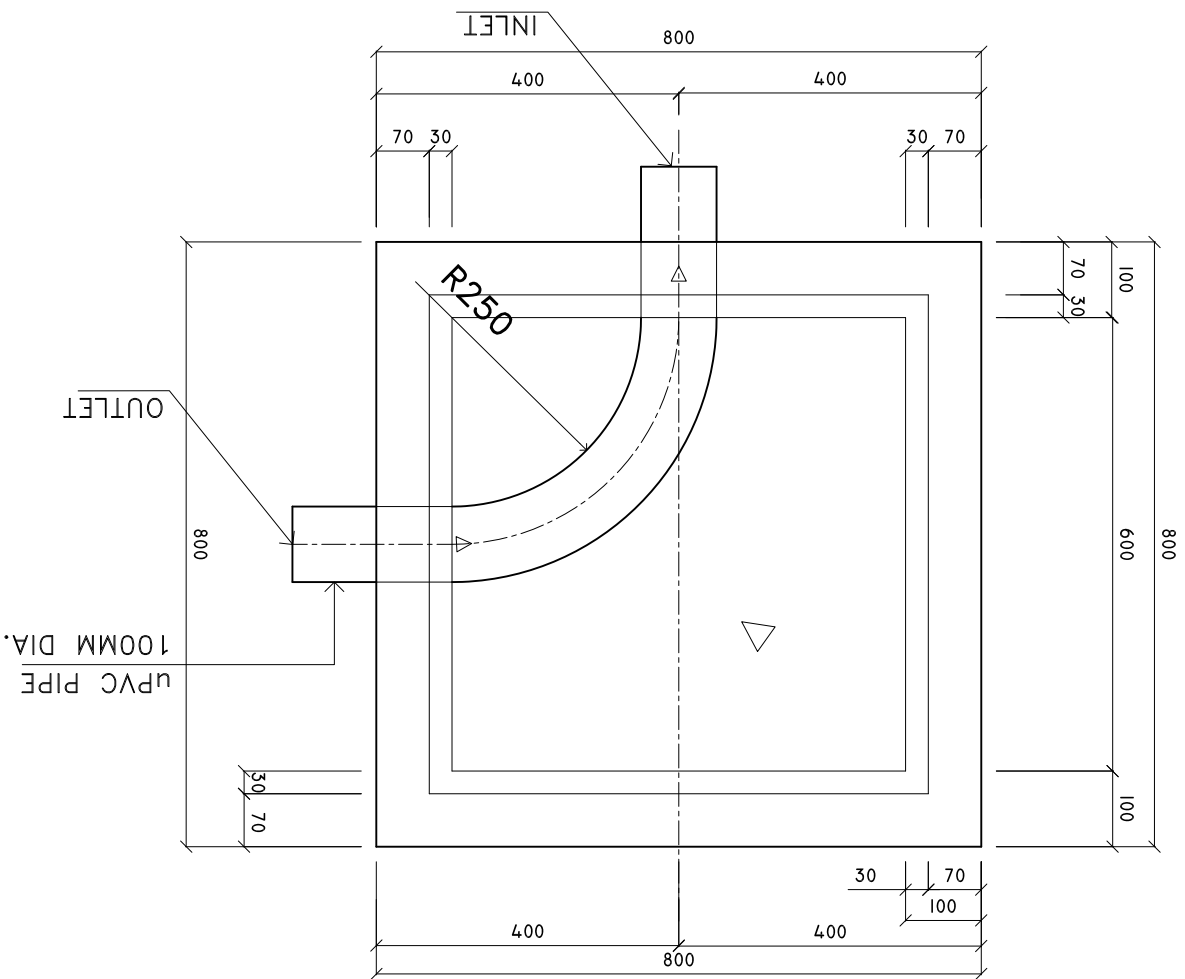


ADMIN DIVISION
Ministry of Health
Roshanwe Building
Soan Nagar
Tel: 332 8887, Fax: 3328889

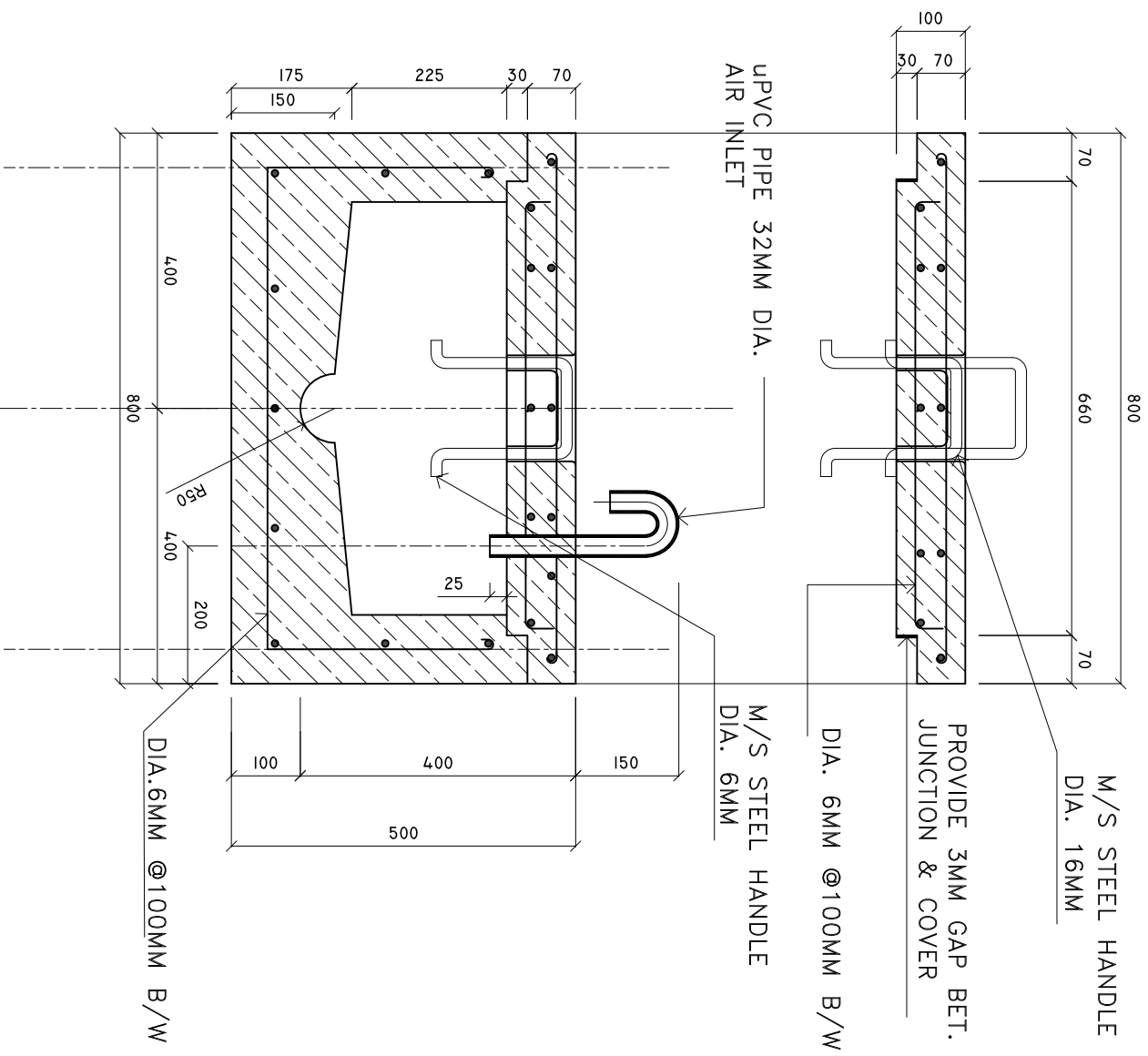
INSPECTION CHAMBER DETAILS FROM TOILET

SCALE : 1 : 10

PLAN



SECTION X-X



SHEET CONTENTS :

REVISION NOTES:

PROJECT:
CONSTRUCTION OF
OFFICE AND SERVICE
BLOCK

CLIENT:
MINISTRY OF HEALTH

LOCATION:
DIFFERENT ISLANDS

CONTENTS: AS GIVEN

PROJECT MANAGER:

DESIGNER: ARIZ

CV/STR. ENGINEER:

SURVEYED BY: -

DRAWN BY: ARIZ

CHECKED BY:

DATE : FEB 2020

SHEET NO. : /

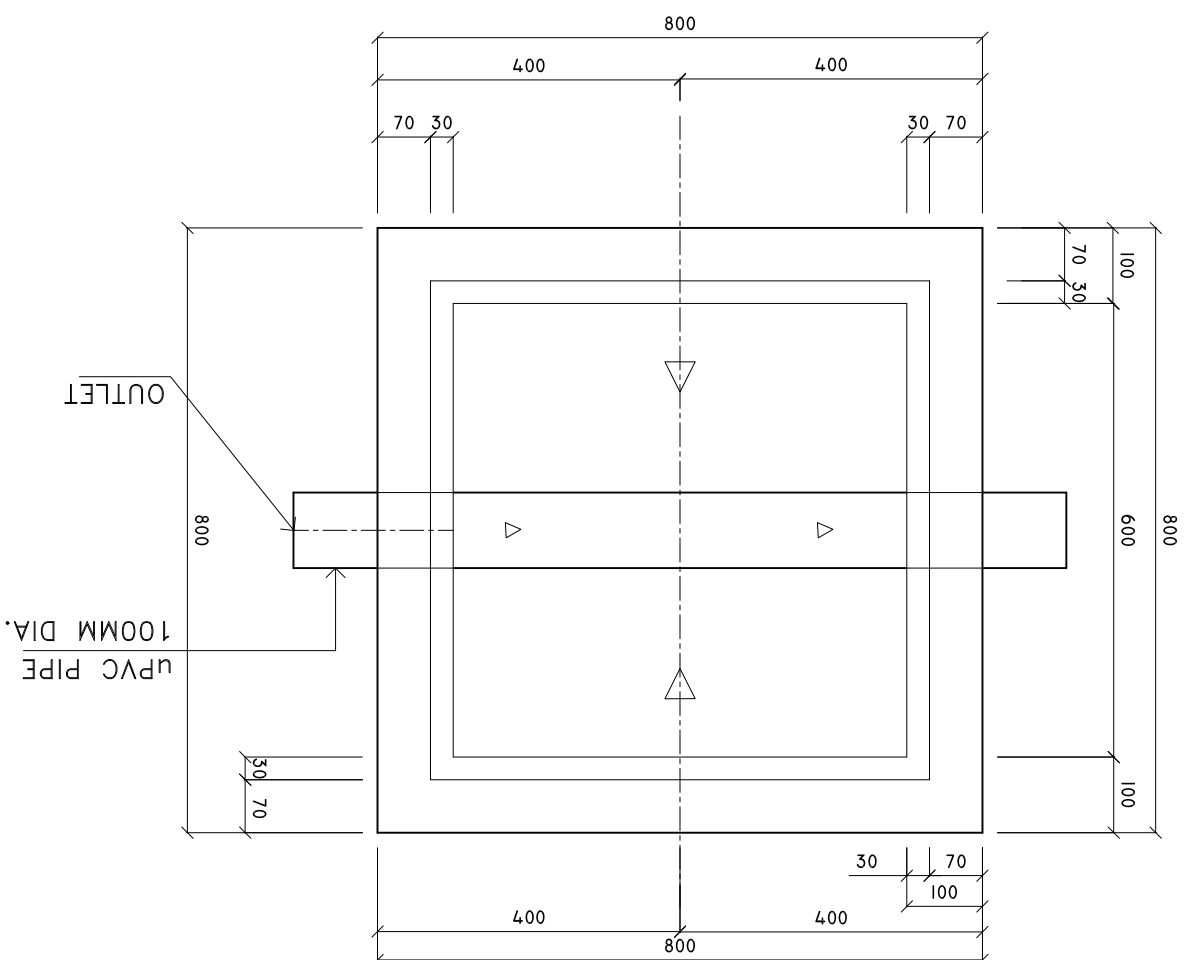


ADMIN DIVISION
Ministry of Health
Roshanee Building
Saanu Maafu
Tel: 332 8887, Fax: 332 8889

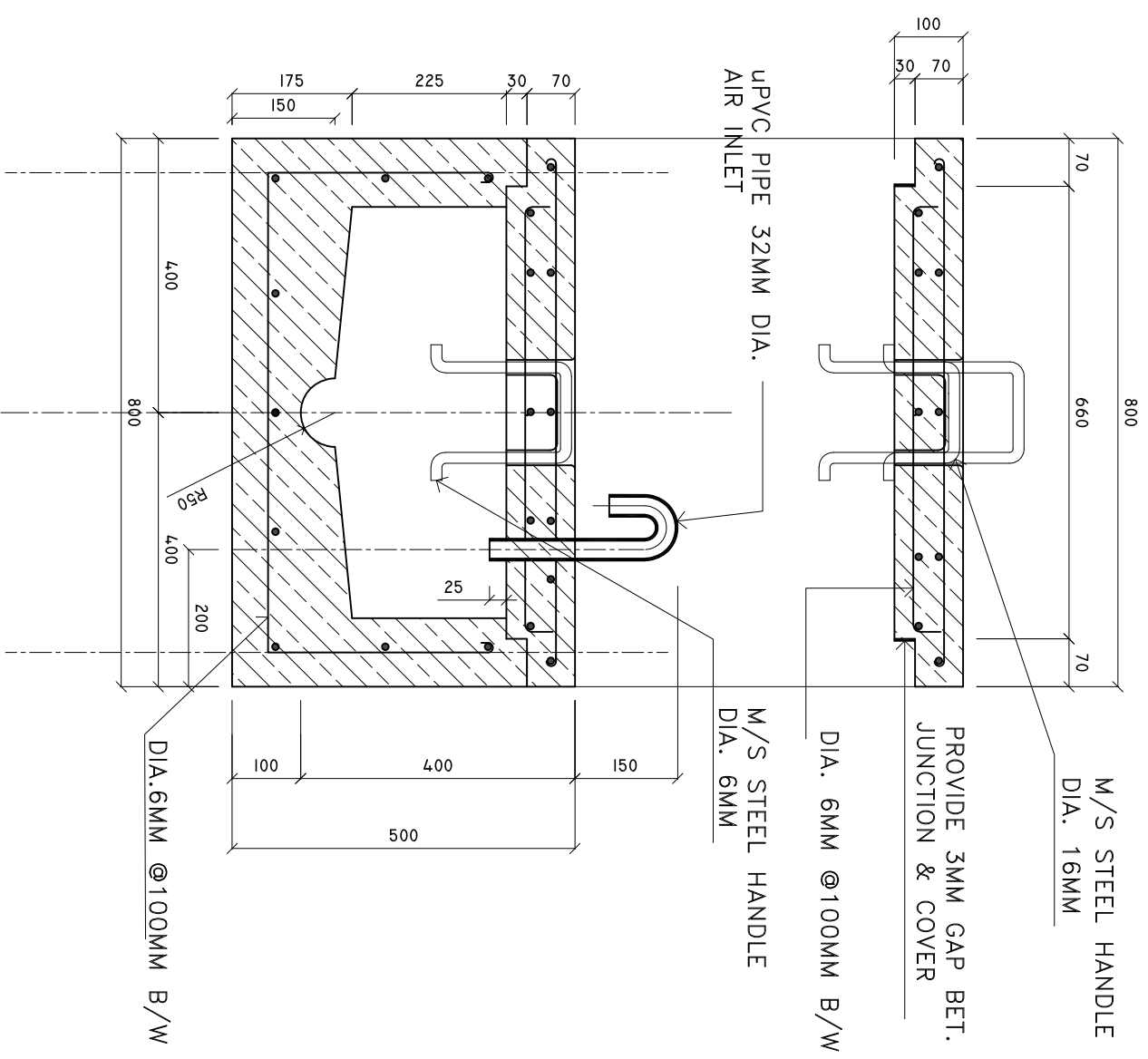
INSPECTION CHAMBER DETAILS FROM TOILET

SCALE : 1 : 10

PLAN



SECTION X-X



SHEET CONTENTS :

REVISION NOTES:

PROJECT:
CONSTRUCTION OF
OFFICE AND SERVICE
BLOCK

CLIENT:
MINISTRY OF HEALTH

LOCATION:
DIFFERENT ISLANDS

CONTENTS: AS GIVEN

PROJECT MANAGER:

DESIGNER: ARIZ

CIV/STR. ENGINEER:

SURVEYED BY: -

DRAWN BY: ARIZ

CHECKED BY:

DATE : FEB 2020

SHEET NO. : /

