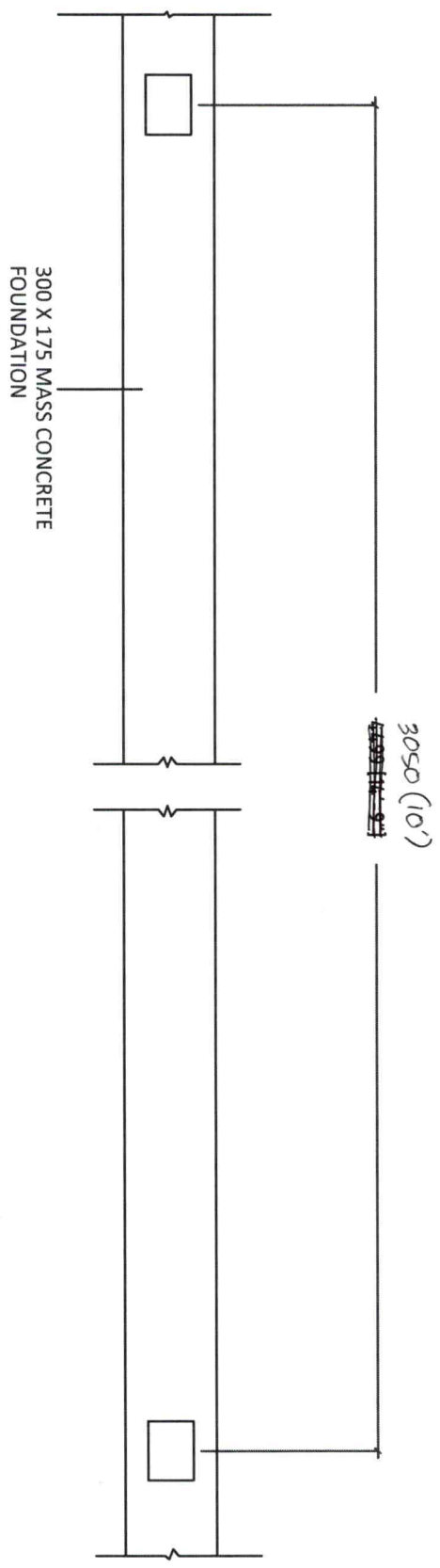
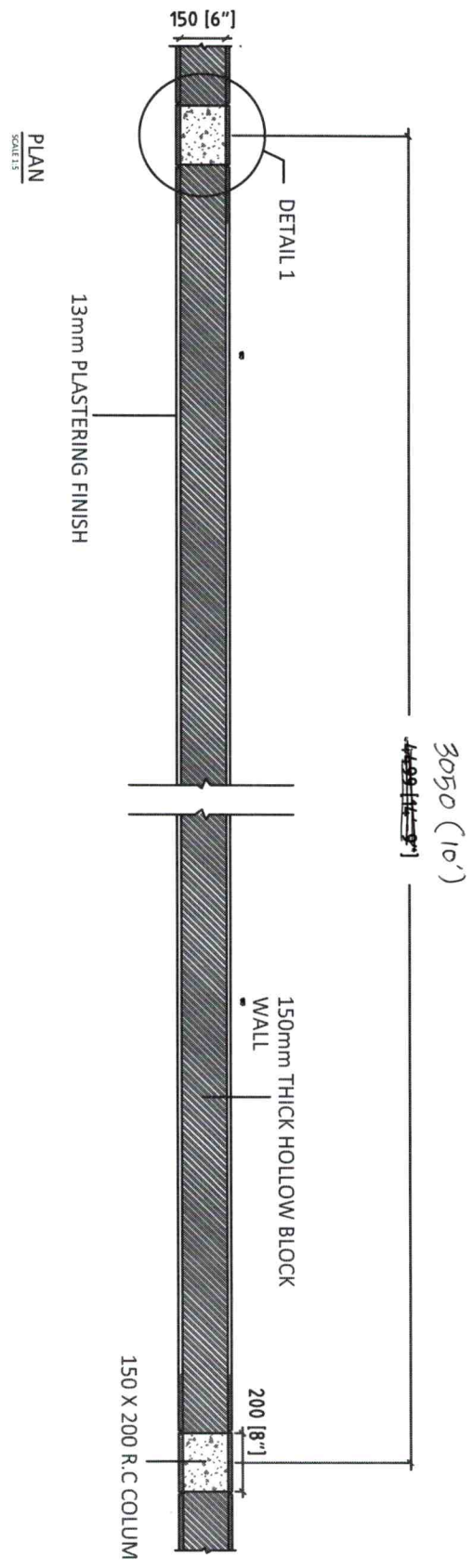


Beam Details.



FOUNDATION PLAN

SCALE 1:5