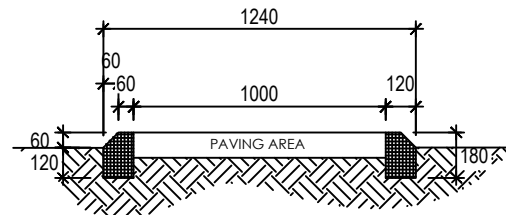
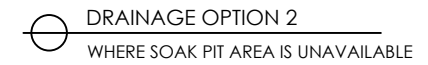
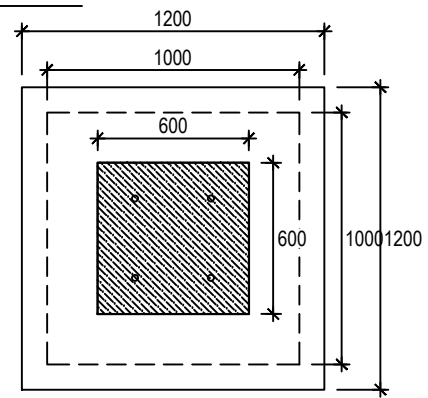
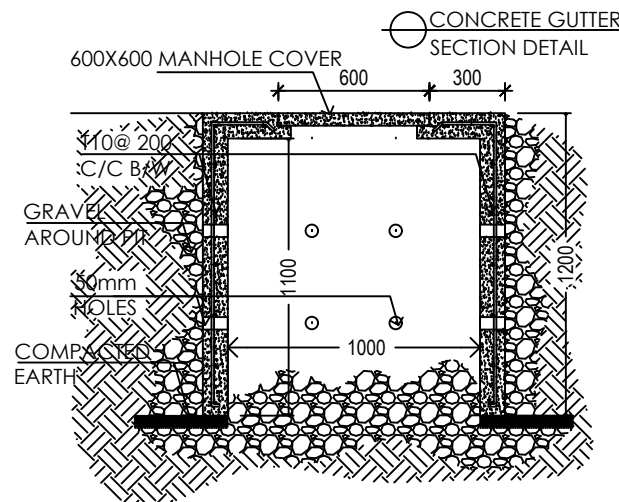
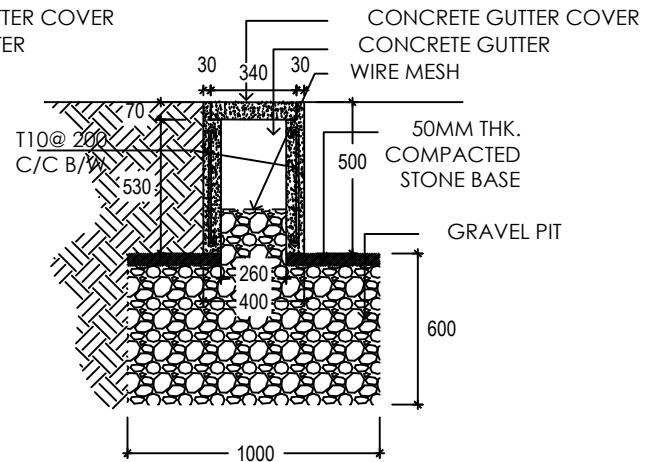
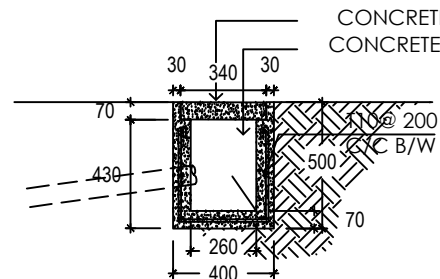
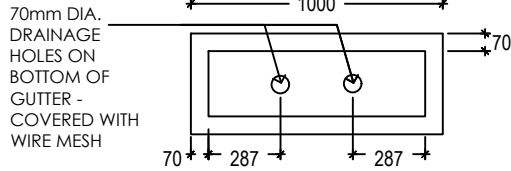
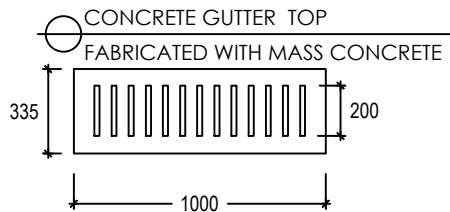
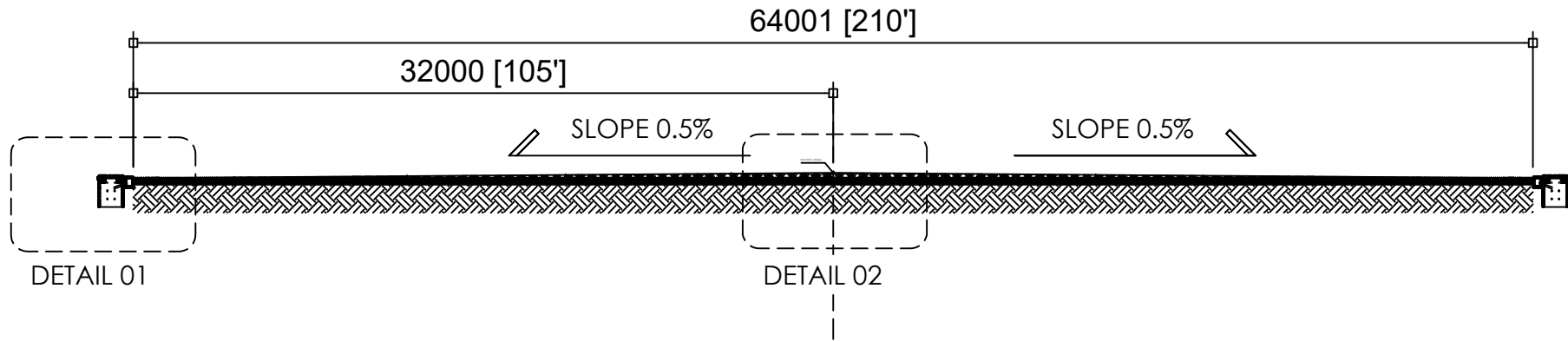


○ STANDARD ARTIFICIAL TURF FULL PITCH PLAN

|   |           |                      |
|---|-----------|----------------------|
| CLIENT:<br>MINISTRY OF YOUTH AND SPORTS                   | DRAWN BY: | SCALE:<br>1:500      |
| COMMENTS:   | NOV 2019  | PAGE NO.:<br>01 / 01 |
| DO NOT MEASURE FROM THE DRAWING. FOLLOW DIMENSIONS GIVEN. |           |                      |





CLIENT:  
MINISTRY OF YOUTH AND SPORTS

PROJECT:

AT FULL PITCH

DRAWN BY:  
MS

SCALE:  
AS GIVEN

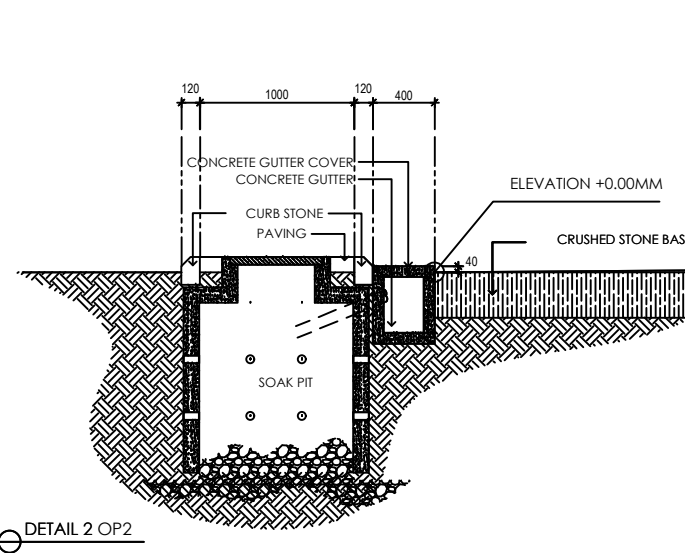
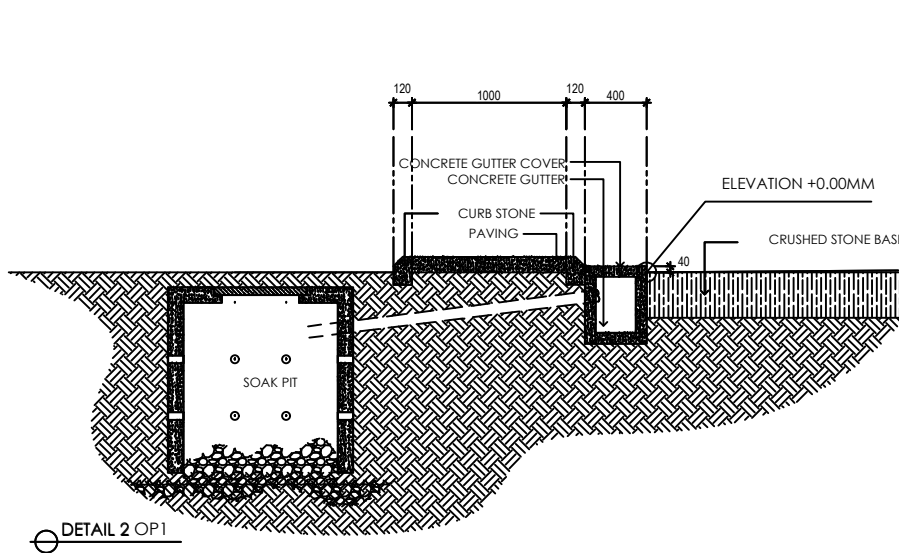
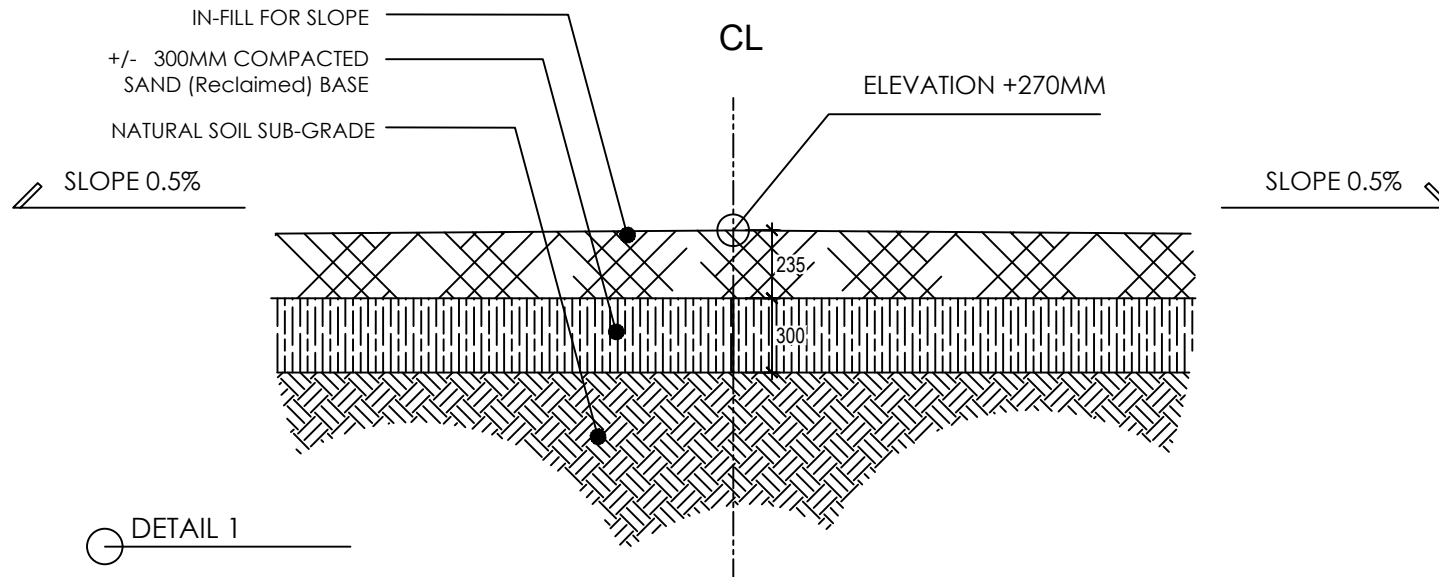
DATE:  
NOV 2019

PAGE NO.:  
01 / 01

COMMENTS:

DO NOT MEASURE FROM THE DRAWING. FOLLOW DIMENSIONS GIVEN.





CLIENT:  
MINISTRY OF YOUTH AND SPORTS

PROJECT:

AT FULL PITCH

DRAWN BY:  
MS

SCALE:  
AS GIVEN

DATE:  
NOV 2019

PAGE NO.:  
01 / 01

COMMENTS :

DO NOT MEASURE FROM THE DRAWING. FOLLOW DIMENSIONS GIVEN.

