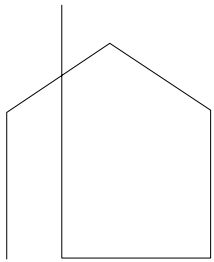


RAHVEHI PARK | PROPOSED KIOSK AREA

S I N G L E S T O R E Y B U I L D I N G

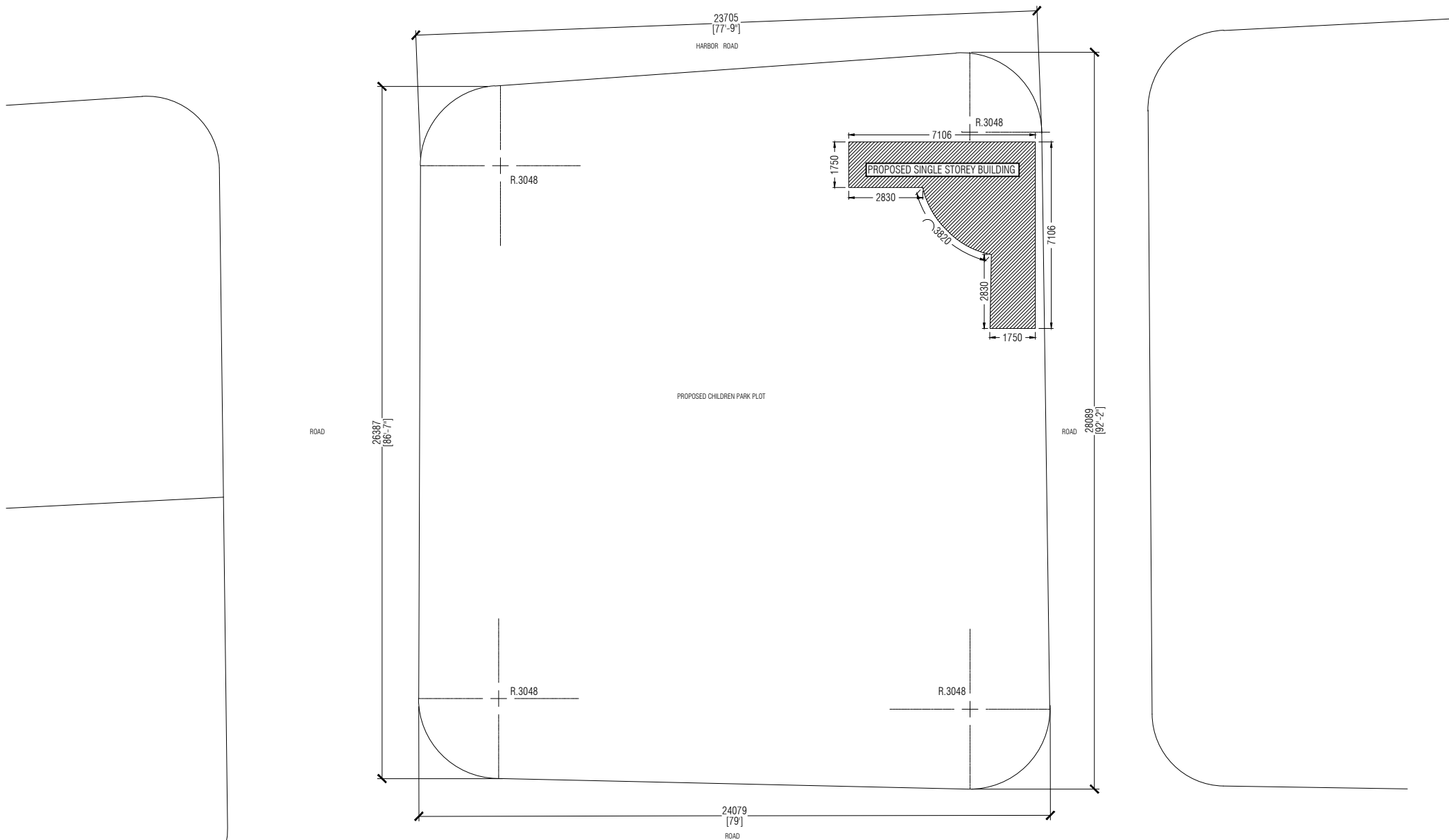
CLIENT: - SECRETARIAT OF MADUVVAREE COUNCIL
RA.MADUVVAREE



I.C.D

ISLAND CONSTRUCTION & DESIGN

PROJECT NO: ICD.D.06

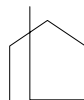


NOTE	
DESCRIPTION	AREA
TOTAL OPEN AREA	65751.89 SQFT
TOTAL BUILT UP AREA	280.21 SQFT
PLOT AREA	7032.10 SQFT



01
A01

SITE PLAN
SCALE 1:200



I.C.D.
ISLAND
CONSTRUCTION &
DESIGN

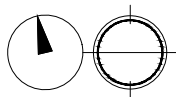
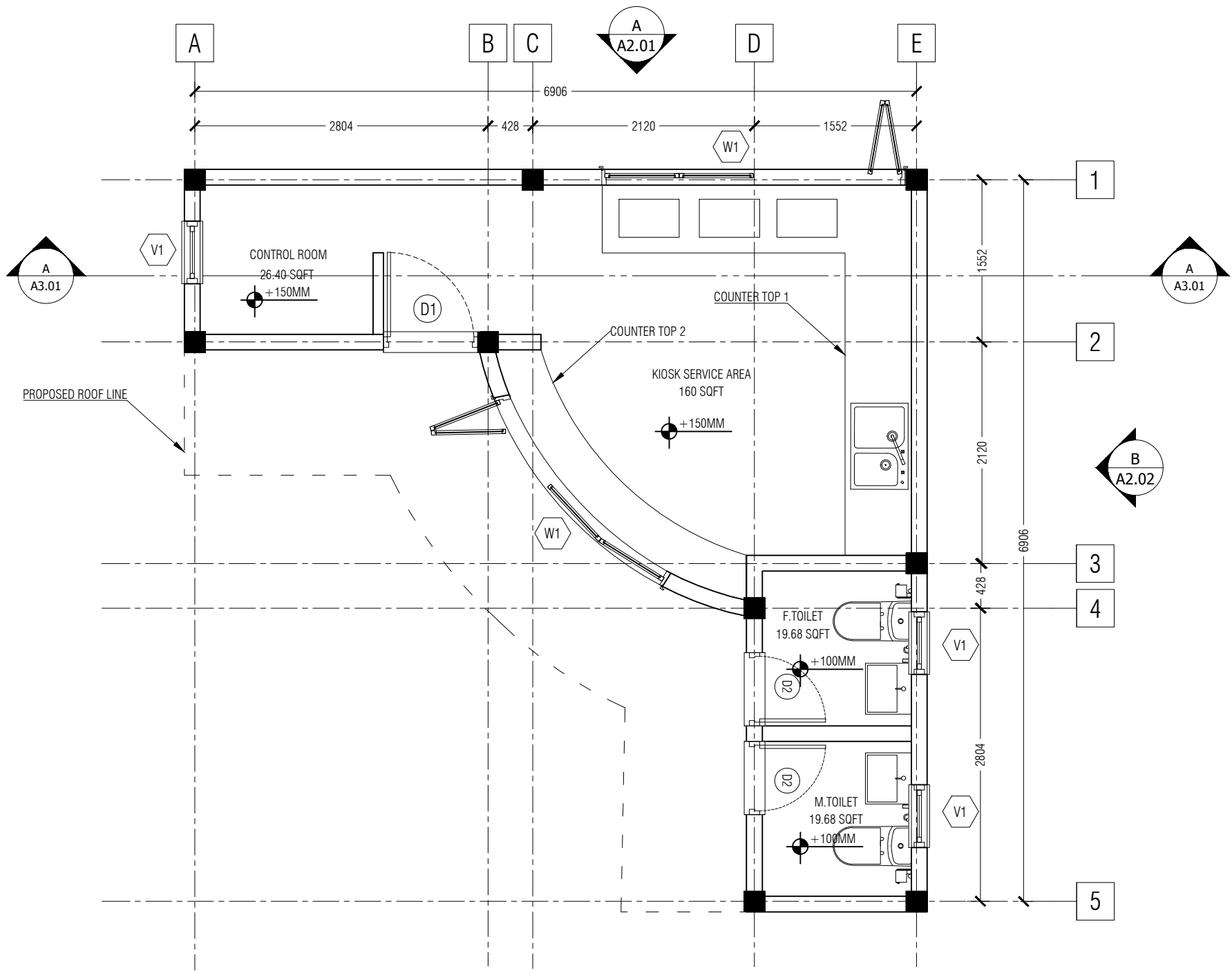
DRAWN & DESIGNED BY: HASSAN SHAHULAN
ENGINEER : AHMED SAEED
CHECKED BY : MOHAMED RUSHDHAN
DO NOT SCALE THE DRAWING

PROJECT: DEVELOPMENT OF CHILDREN'S PARK AT R.MADUVVAREE | KIOSK AREA
CLIENT: SECRETARIAT OF MADUVVAREE COUNCIL
TITLE: AS GIVEN
AMENDMENT:

DATE: MARCH 2021
SCALE: AS GIVEN
PAPER SIZE: A4
PROJECT NO: ICD.D.06

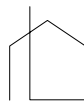
DWG NO:

A1.01



FLOOR PLAN

SCALE 1:50



I.C.D.
ISLAND
CONSTRUCTION &
DESIGN

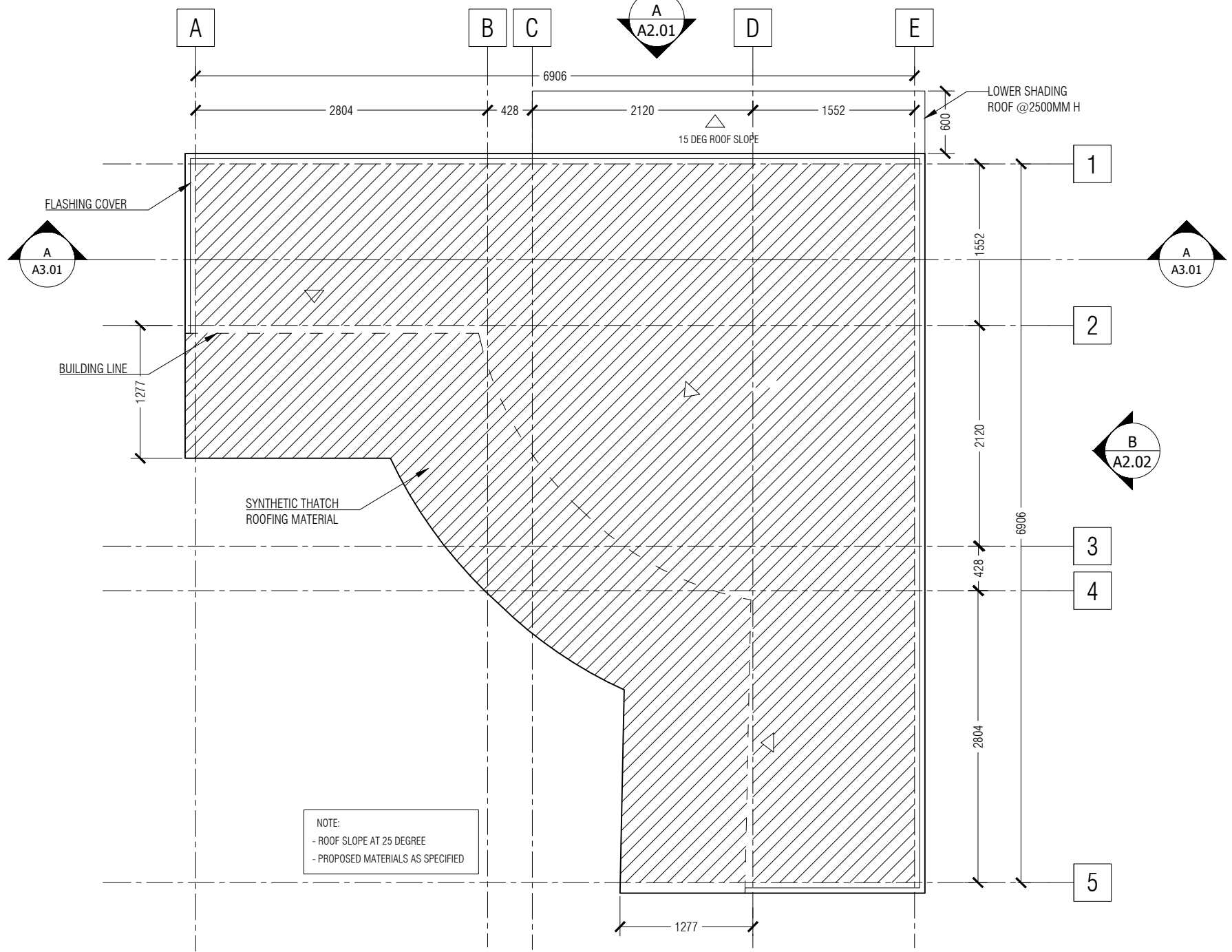
DRAWN & DESIGNED BY: HASSAN SHAHULAN
 ENGINEER : AHMED SAIED
 CHECKED BY : MOHAMED RUSHDHAN
 DO NOT SCALE THE DRAWING

PROJECT: DEVELOPMENT OF CHILDREN'S PARK AT R.MADUVVAREE | KIOSK AREA
 CLIENT: SECRETARIAT OF MADUVVAREE COUNCIL
 TITLE: AS GIVEN
 AMENDMENT:

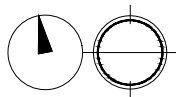
DATE: MARCH 2021
 SCALE: AS GIVEN
 PAPER SIZE: A4
 PROJECT NO: ICD.D.06

DWG NO:

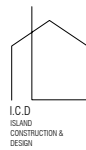
A1.02



NOTE:
 - ROOF SLOPE AT 25 DEGREE
 - PROPOSED MATERIALS AS SPECIFIED



ROOF PLAN
 SCALE 1:50

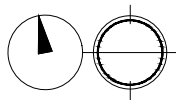
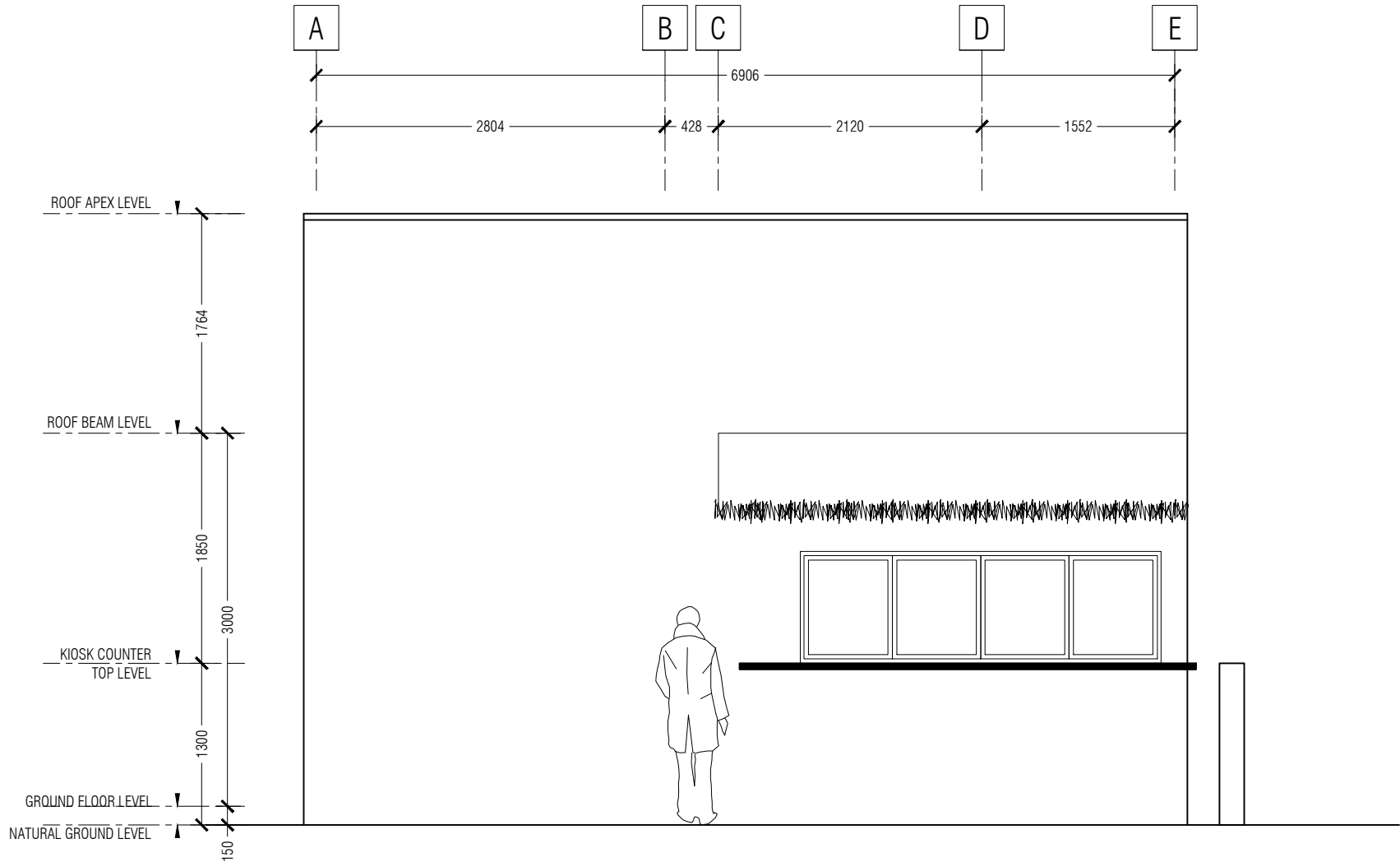


DRAWN & DESIGNED BY: HASSAN SHAHULAN
 ENGINEER : AHMED SAEED
 CHECKED BY : MOHAMED RUSHDHAN
 DO NOT SCALE THE DRAWING

PROJECT: DEVELOPMENT OF CHILDREN'S PARK AT R.MADUVAREE | KIOSK AREA
 CLIENT: SECRETARIAT OF MADUVAREE COUNCIL
 TITLE: AS GIVEN
 AMENDMENT:

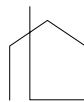
DATE: MARCH 2021
 SCALE: AS GIVEN
 PAPER SIZE: A4
 PROJECT NO: ICD.D.06

DWG NO:
A1.03



ELEVATION 1

SCALE 1:50



I.C.D.
ISLAND
CONSTRUCTION &
DESIGN

DRAWN & DESIGNED BY: HASSAN SHAHULAN
ENGINEER : AHMED SAEED
CHECKED BY : MOHAMED RUSHDHAN

DO NOT SCALE THE DRAWING

PROJECT: DEVELOPMENT OF CHILDREN'S PARK AT R.MADUVVAREE | KIOSK AREA

CLIENT: SECRETARIAT OF MADUVVAREE COUNCIL

TITLE: AS GIVEN

AMENDMENT:

DATE: MARCH 2021

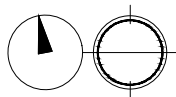
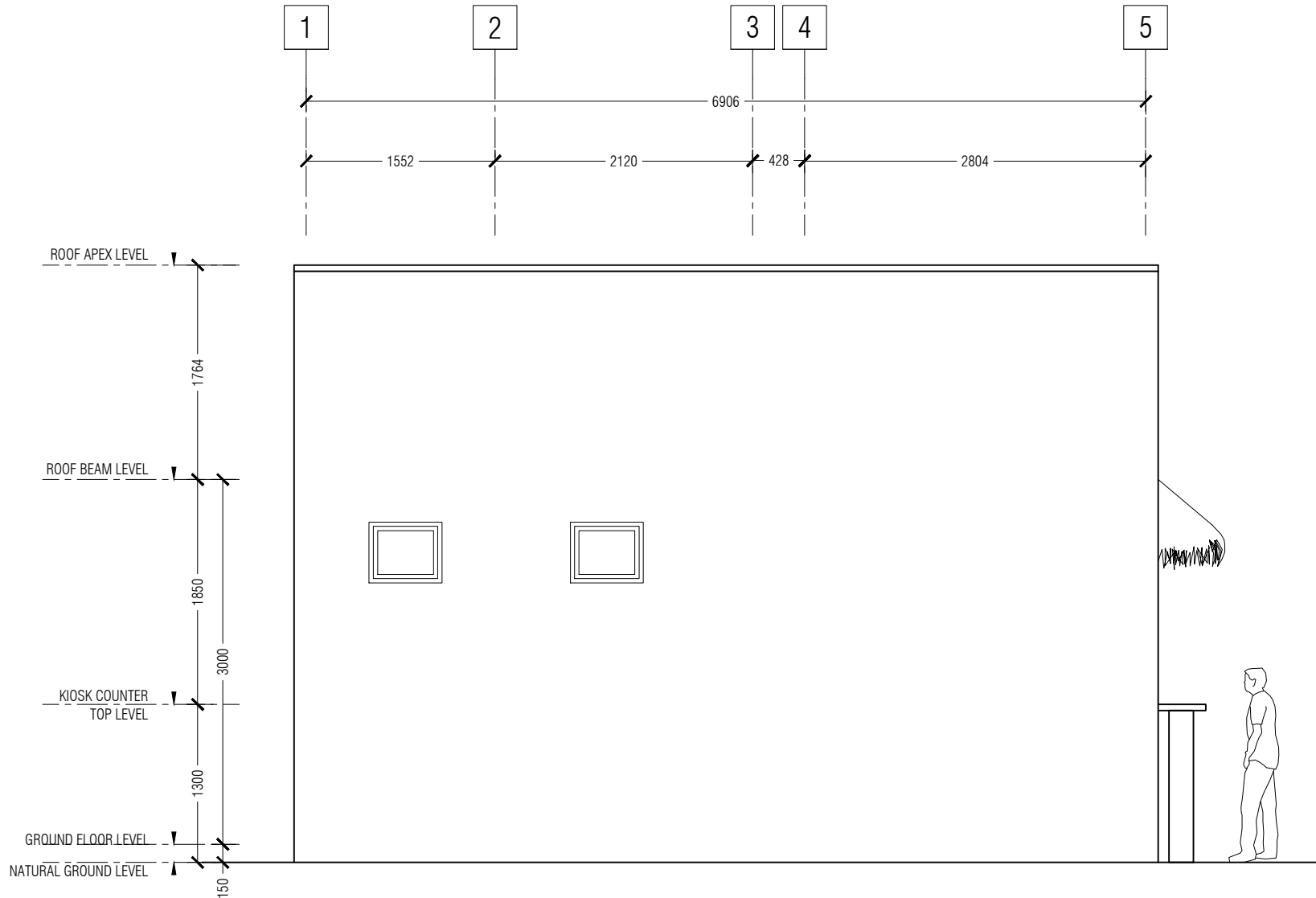
SCALE: AS GIVEN

PAPER SIZE: A4

PROJECT NO: ICD.D.06

DWG NO:

A2.01



ELEVATION 2

SCALE 1:50



I.C.D.
ISLAND
CONSTRUCTION &
DESIGN

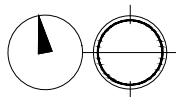
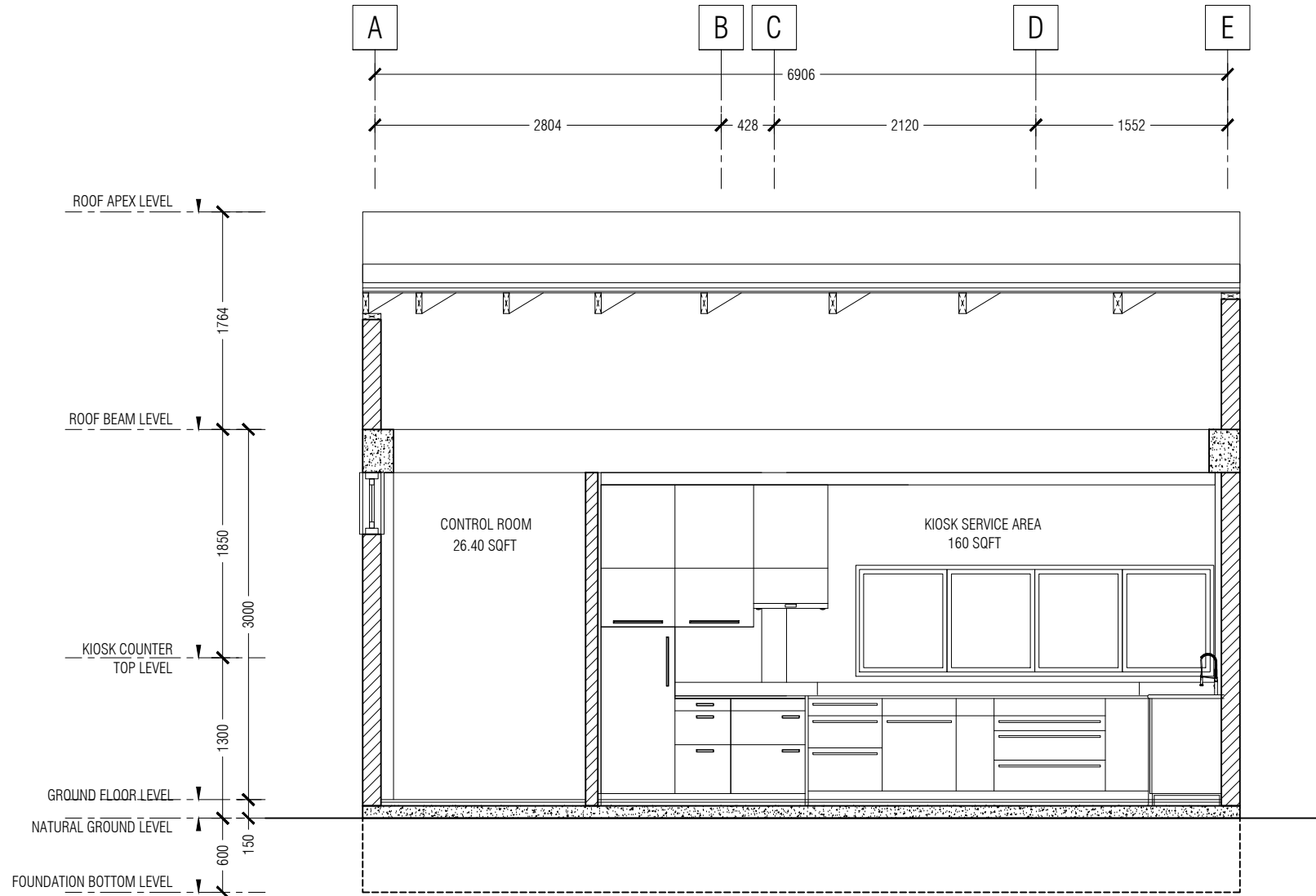
DRAWN & DESIGNED BY: HASSAN SHAHULAN
 ENGINEER : AHMED SAEED
 CHECKED BY : MOHAMED RUSHDHAN
 DO NOT SCALE THE DRAWING

PROJECT: DEVELOPMENT OF CHILDREN'S PARK AT R.MADUVVAREE | KIOSK AREA
 CLIENT: SECRETARIAT OF MADUVVAREE COUNCIL
 TITLE: AS GIVEN
 AMENDMENT:

DATE: MARCH 2021
 SCALE: AS GIVEN
 PAPER SIZE: A4
 PROJECT NO: ICD.D.06

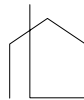
DWG NO:

A2.02



SECTION X-X

SCALE 1:50



I.C.D.
ISLAND
CONSTRUCTION &
DESIGN

DRAWN & DESIGNED BY: HASSAN SHAHULAN
 ENGINEER : AHMED SAEED
 CHECKED BY : MOHAMED RUSHDHAN
 DO NOT SCALE THE DRAWING

PROJECT: DEVELOPMENT OF CHILDREN'S PARK AT R.MADUVAREE | KIOSK AREA
 CLIENT: SECRETARIAT OF MADUVAREE COUNCIL
 TITLE: AS GIVEN
 AMENDMENT:

DATE: MARCH 2021
 SCALE: AS GIVEN
 PAPER SIZE: A4
 PROJECT NO: ICD.D.06

DWG NO:

A3.01

50X25mm THICK TIMBER RUNNERS

THATCH ROOFING WITH WIRE MESH NETTING

38X38mm THICK TIMBER BATTENS @600C/C

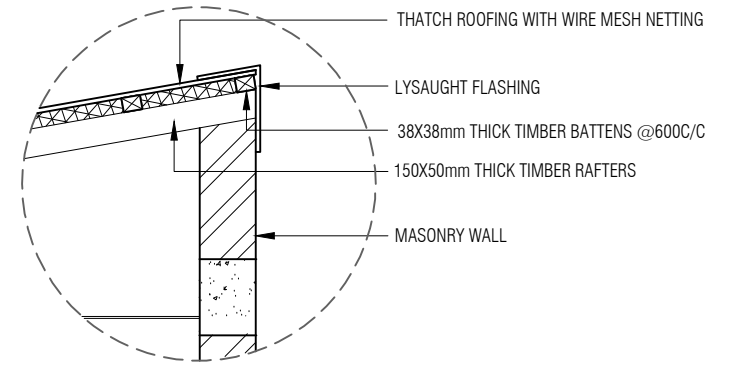
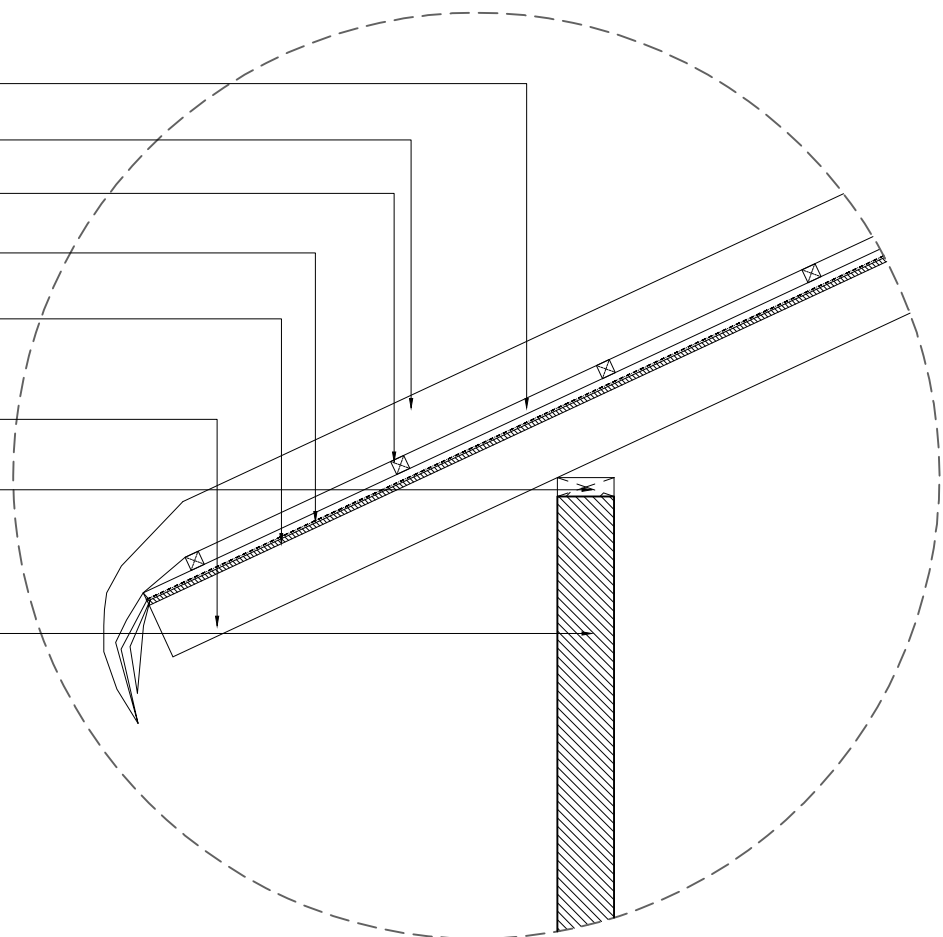
DPM CANVAS (WATER PROOFING)

12mm THICK PLYWOOD WITH GROOVE
SPACED @100C/C

150X50mm THICK TIMBER RAFTERS

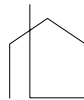
150X50mm TIMBER WALL PLATE

MASONRY WALL



ROOF DETAIL

SCALE 1:20



I.C.D.
ISLAND
CONSTRUCTION &
DESIGN

DRAWN & DESIGNED BY: HASSAN SHAHULAN

ENGINEER : AHMED SAEED

CHECKED BY : MOHAMED RUSHDHAN

DO NOT SCALE THE DRAWING

PROJECT: DEVELOPMENT OF CHILDREN'S PARK AT R.MADUVAREE | KIOSK AREA

CLIENT: SECRETARIAT OF MADUVAREE COUNCIL

TITLE: AS GIVEN

AMENDMENT:

DATE: MARCH 2021

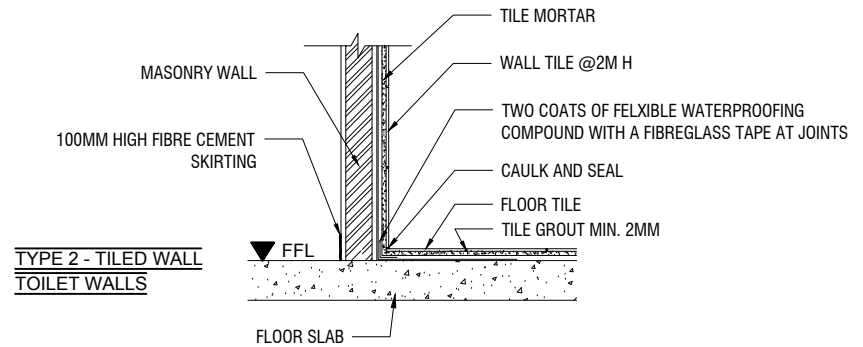
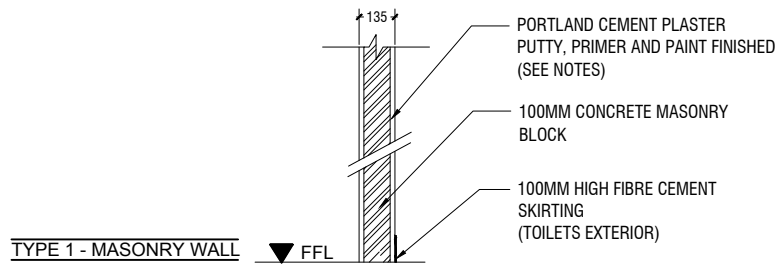
SCALE: AS GIVEN

PAPER SIZE: A4

PROJECT NO: ICD.D.06

DWG NO:

A5.01

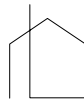


- IMPORTANT NOTES:**
1. ENSURE PROPER CURING OF MASONRY WALLS BEFORE TAKING UP PLASTERING WORKS.
 2. ENSURE PROPER CURING OF PLASTERED SURFACE.
 3. USE WATER-PROOFING ADMIXTURE WHILE PLASTERING OF WALLS FALLING UNDER HIGH MOISTURE ZONE.
 4. ENSURE WALLS ARE FULLY DRY BEFORE TAKING UP ANY PAINTING WORK.
 5. SELECT PROPER TYPE OF WALL PRIMER COMPATIBLE WITH THE TYPE OF PAINT USED. FOLLOW MANUFACTURER INSTRUCTIONS FOR APPLICATION.



WALL DETAILS

SCALE NTS



I.C.D.
ISLAND
CONSTRUCTION &
DESIGN

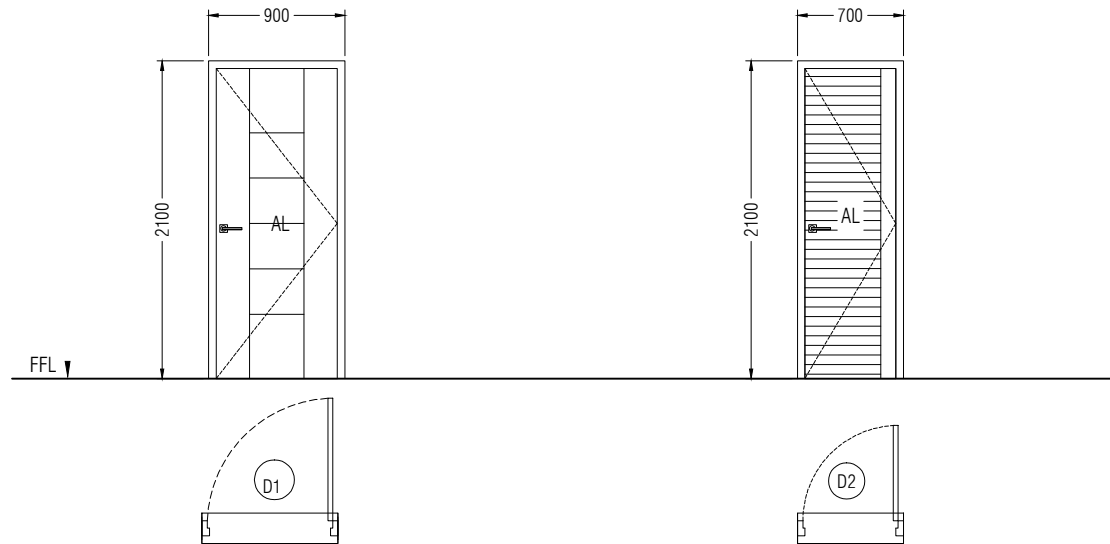
DRAWN & DESIGNED BY: HASSAN SHAHULAN
ENGINEER : AHMED SAEED
CHECKED BY : MOHAMED RUSHDHAN
DO NOT SCALE THE DRAWING

PROJECT: DEVELOPMENT OF CHILDREN'S PARK AT R.MADUVVAREE | KIOSK AREA
CLIENT: SECRETARIAT OF MADUVVAREE COUNCIL
TITLE: AS GIVEN
AMENDMENT:

DATE: MARCH 2021
SCALE: AS GIVEN
PAPER SIZE: A4
PROJECT NO: ICD.D.06

DWG NO:

A5.02



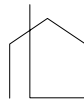
<u>D1</u>	SWING DOOR
REMARKS	ALUMINUM DOOR PANEL 01 NOS. LOCK SET 02 NOS. S.S HINGES 01 NOS. S.S DOOR HANDLES
QUANTITY	01
OPEN AREA	1.64m ²

<u>D2</u>	SWING DOOR
REMARKS	ALUMINUM DOOR PANEL 01 NOS. LOCK SET 03 NOS. S.S HINGES (DOUBLE SIDE) 01 NOS. S.S DOOR HANDLES 01 NOS. DOOR CLOSER
QUANTITY	02
OPEN AREA	1.23m ²



DOOR WINDOW SCHEDULE

SCALE 1:50



I.C.D.
ISLAND
CONSTRUCTION &
DESIGN

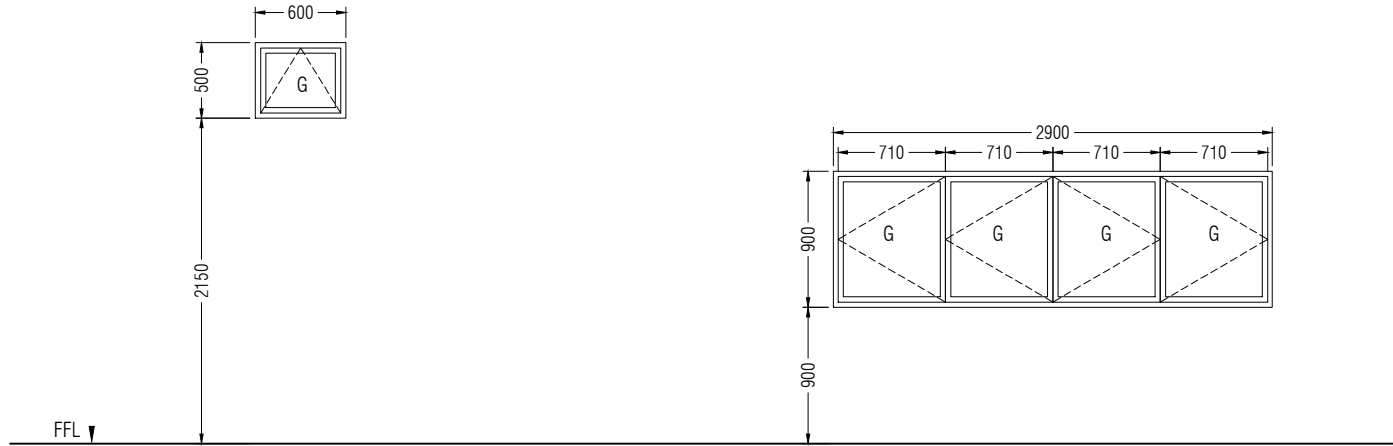
DRAWN & DESIGNED BY: HASSAN SHAHULAN
ENGINEER : AHMED SAEED
CHECKED BY : MOHAMED RUSHDHAN
D O N O T S C A L E T H E D R A W I N G

PROJECT: DEVELOPMENT OF CHILDREN'S PARK AT R.MADUVAREE | KIOSK AREA
CLIENT: SECRETARIAT OF MADUVAREE COUNCIL
TITLE: AS GIVEN
AMENDMENT:

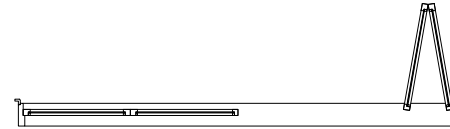
DATE: MARCH 2021
SCALE: AS GIVEN
PAPER SIZE: A4
PROJECT NO: ICD.D.06

DWG NO:

A6.01



FFL ↓



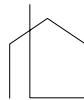
<u>VI</u>	ALUMINUM AND GLASS WINDOW
REMARKS	TOP HUNG ALUMINUM & GLASS WINDOW PANEL 6mm THICK GLASS 80 MICRON DARK GRAY COATED ALUMINUM FRAME
QUANTITY	03
OPEN AREA	0.22m ²

<u>WI</u>	BI FOLD DOOR
REMARKS	BI FOLDING ALUMINUM & GLASS WINDOW PANEL 6mm THICK GLASS 80 MICRON DARK GRAY COATED ALUMINUM FRAME
QUANTITY	02
OPEN AREA	3.54m ²



DOOR WINDOW SCHEDULE

SCALE 1:50



I.C.D.
ISLAND
CONSTRUCTION &
DESIGN

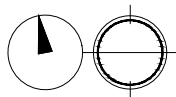
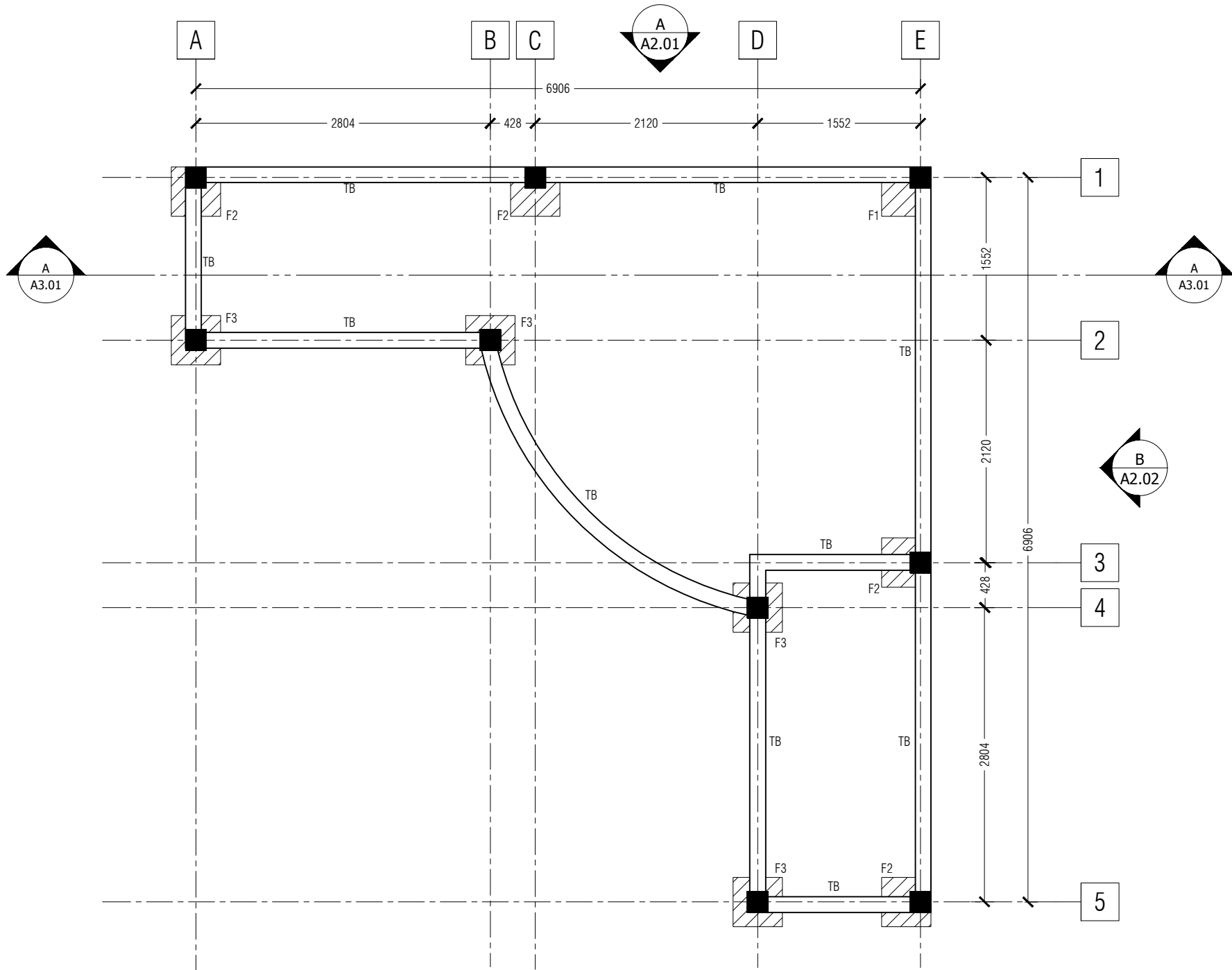
DRAWN & DESIGNED BY: HASSAN SHAHULAN
ENGINEER : AHMED SAEED
CHECKED BY : MOHAMED RUSHDHAN
DO NOT SCALE THE DRAWING

PROJECT: DEVELOPMENT OF CHILDREN'S PARK AT R.MADUVVAREE | KIOSK AREA
CLIENT: SECRETARIAT OF MADUVVAREE COUNCIL
TITLE: AS GIVEN
AMENDMENT:

DATE: MARCH 2021
SCALE: AS GIVEN
PAPER SIZE: A4
PROJECT NO: ICD.D.06

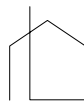
DWG NO:

A6.02



FOUNDATION PLAN

SCALE 1:50



I.C.D.
ISLAND
CONSTRUCTION &
DESIGN

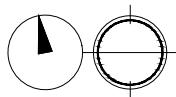
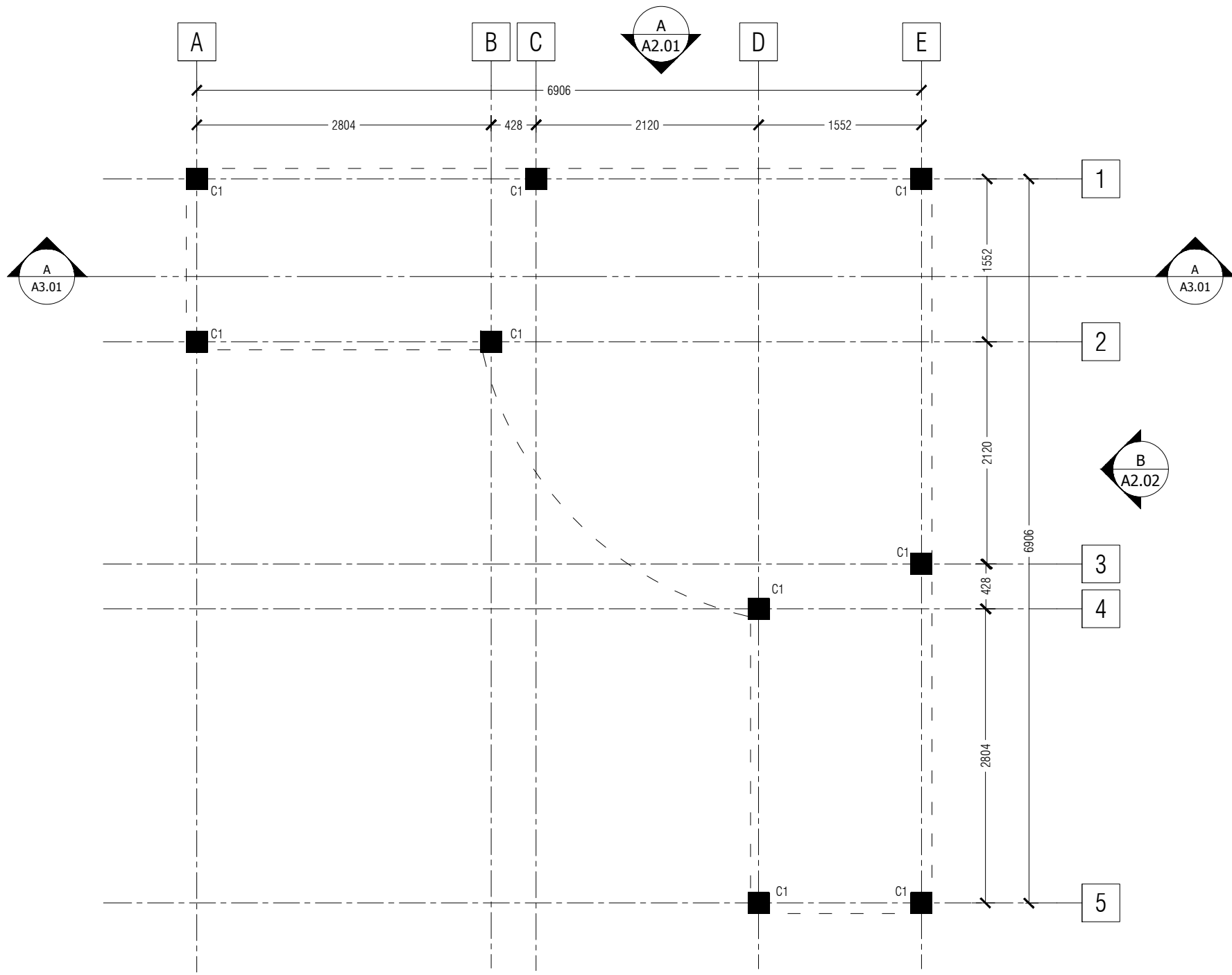
DRAWN & DESIGNED BY: HASSAN SHAHULAN
 ENGINEER : AHMED SAEED
 CHECKED BY : MOHAMED RUSHDHAN
 DO NOT SCALE THE DRAWING

PROJECT: DEVELOPMENT OF CHILDREN'S PARK AT R.MADUVAREE | KIOSK AREA
 CLIENT: SECRETARIAT OF MADUVAREE COUNCIL
 TITLE: AS GIVEN
 AMENDMENT:

DATE: MARCH 2021
 SCALE: AS GIVEN
 PAPER SIZE: A4
 PROJECT NO: ICD.D.06

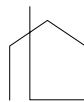
DWG NO:

S1.01



COLUMN PLAN

SCALE 1:50



I.C.D.
ISLAND
CONSTRUCTION &
DESIGN

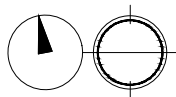
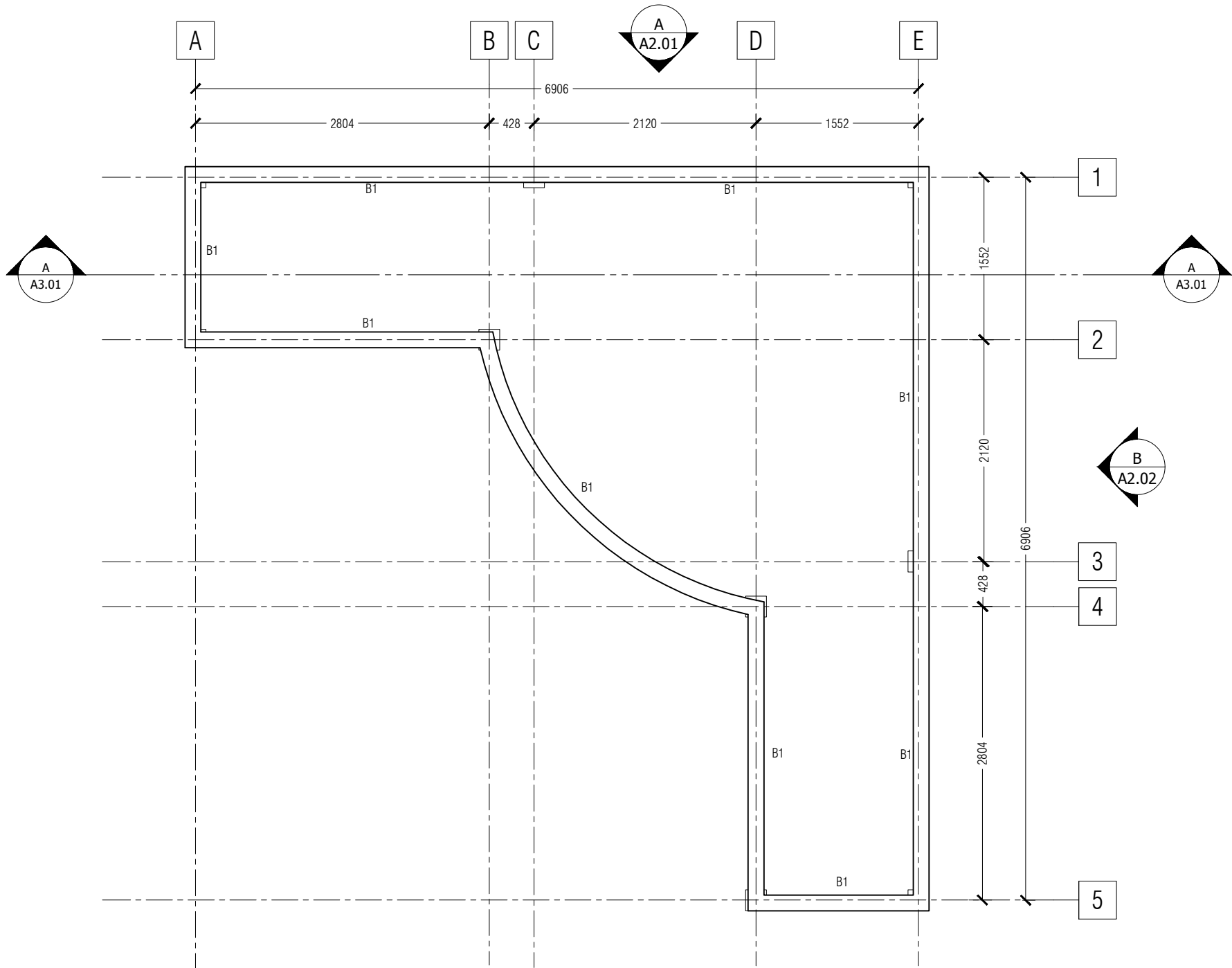
DRAWN & DESIGNED BY: HASSAN SHAHULAN
 ENGINEER : AHMED SAEED
 CHECKED BY : MOHAMED RUSHDHAN
 DO NOT SCALE THE DRAWING

PROJECT: DEVELOPMENT OF CHILDREN'S PARK AT R.MADUVAREE | KIOSK AREA
 CLIENT: SECRETARIAT OF MADUVAREE COUNCIL
 TITLE: AS GIVEN
 AMENDMENT:

DATE: MARCH 2021
 SCALE: AS GIVEN
 PAPER SIZE: A4
 PROJECT NO: ICD.D.06

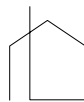
DWG NO:

S1.02



ROOF BEAM PLAN

SCALE 1:50



I.C.D.
ISLAND
CONSTRUCTION &
DESIGN

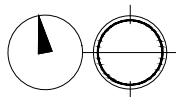
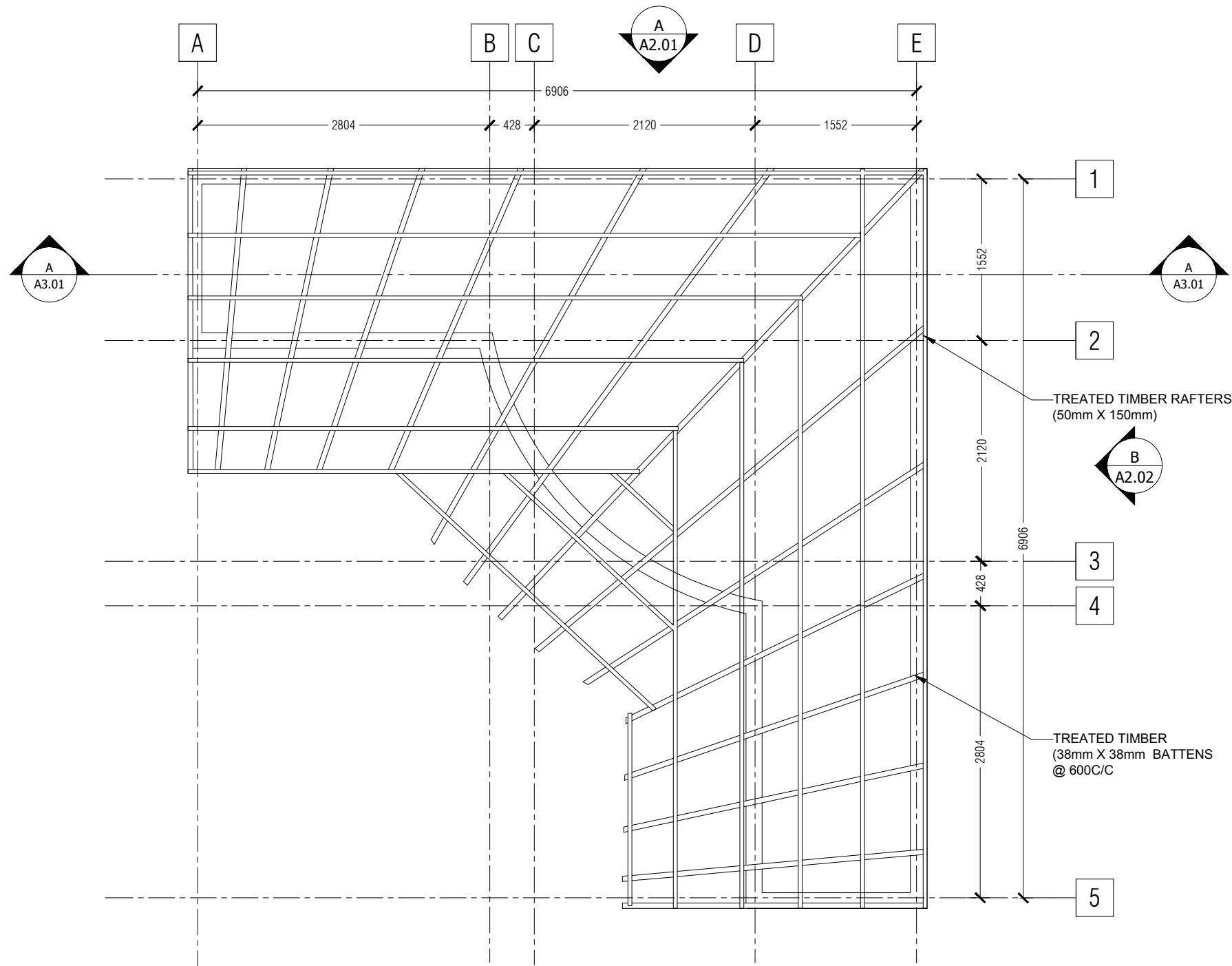
DRAWN & DESIGNED BY: HASSAN SHAHULAN
 ENGINEER : AHMED SAEED
 CHECKED BY : MOHAMED RUSHDHAN
 DO NOT SCALE THE DRAWING

PROJECT: DEVELOPMENT OF CHILDREN'S PARK AT R.MADUVVAREE | KIOSK AREA
 CLIENT: SECRETARIAT OF MADUVVAREE COUNCIL
 TITLE: AS GIVEN
 AMENDMENT:

DATE: MARCH 2021
 SCALE: AS GIVEN
 PAPER SIZE: A4
 PROJECT NO: ICD.D.06

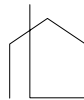
DWG NO:

S1.03



ROOF FRAMING PLAN

SCALE 1:50



I.C.D.
ISLAND
CONSTRUCTION &
DESIGN

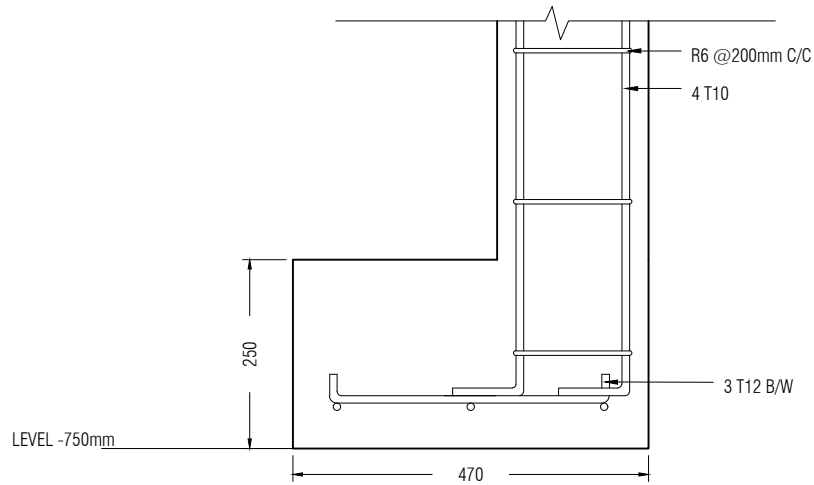
DRAWN & DESIGNED BY: HASSAN SHAHULAN
 ENGINEER : AHMED SAEED
 CHECKED BY : MOHAMED RUSHDHAN
 DO NOT SCALE THE DRAWING

PROJECT: DEVELOPMENT OF CHILDREN'S PARK AT R.MADUVVAREE | KIOSK AREA
 CLIENT: SECRETARIAT OF MADUVVAREE COUNCIL
 TITLE: AS GIVEN
 AMENDMENT:

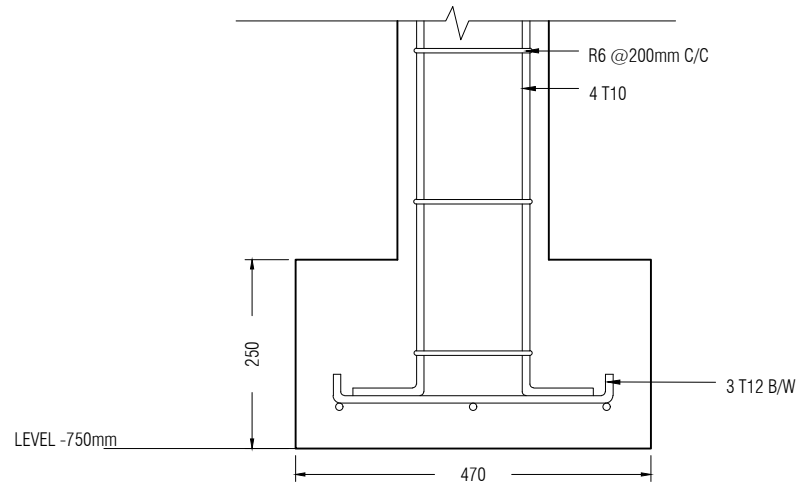
DATE: MARCH 2021
 SCALE: AS GIVEN
 PAPER SIZE: A4
 PROJECT NO: ICD.D.06

DWG NO:

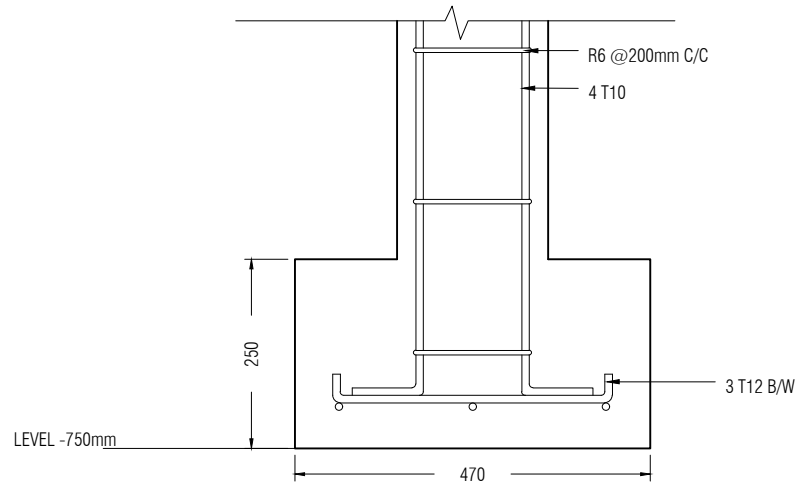
S1.04



FOOTING (F1)
SIZE: (470mm X 470mm)



FOOTING (F2)
SIZE: (470mm X 470mm)

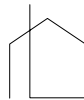


FOOTING (F3)
SIZE: (470mm X 470mm)



FOOTING DETAILS

SCALE 1:10



I.C.D.
ISLAND
CONSTRUCTION &
DESIGN

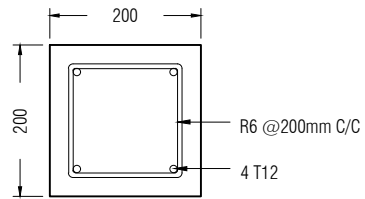
DRAWN & DESIGNED BY: HASSAN SHAHULAN
ENGINEER : AHMED SAEED
CHECKED BY : MOHAMED RUSHDHAN
DO NOT SCALE THE DRAWING

PROJECT: DEVELOPMENT OF CHILDREN'S PARK AT R.MADUVAREE | KIOSK AREA
CLIENT: SECRETARIAT OF MADUVAREE COUNCIL
TITLE: AS GIVEN
AMENDMENT:

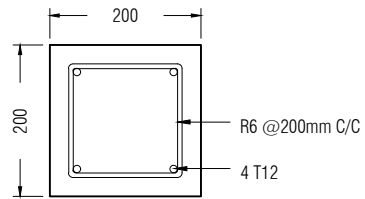
DATE: MARCH 2021
SCALE: AS GIVEN
PAPER SIZE: A4
PROJECT NO: ICD.D.06

DWG NO:

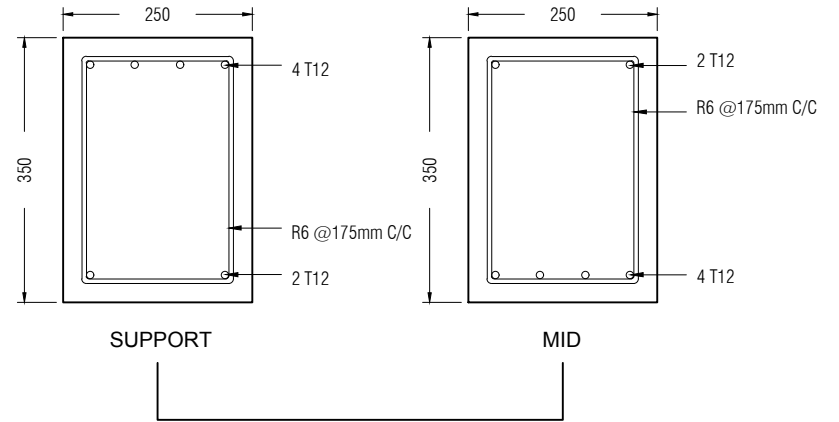
S5.01



TIE BEAM (TB)



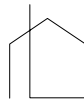
COLUMN



ROOF BEAM (B1)



SCALE 1:10



I.C.D.
ISLAND
CONSTRUCTION &
DESIGN

DRAWN & DESIGNED BY: HASSAN SHAHULAN
 ENGINEER : AHMED SAEED
 CHECKED BY: MOHAMED RUSHDHAN
 D O N O T S C A L E T H E D R A W I N G

PROJECT: DEVELOPMENT OF CHILDREN'S PARK AT R.MADUVAREE | KIOSK AREA
 CLIENT: SECRETARIAT OF MADUVAREE COUNCIL
 TITLE: AS GIVEN
 AMENDMENT:

DATE: MARCH 2021
 SCALE: AS GIVEN
 PAPER SIZE: A4
 PROJECT NO: ICD.D.06

DWG NO:
S5.02