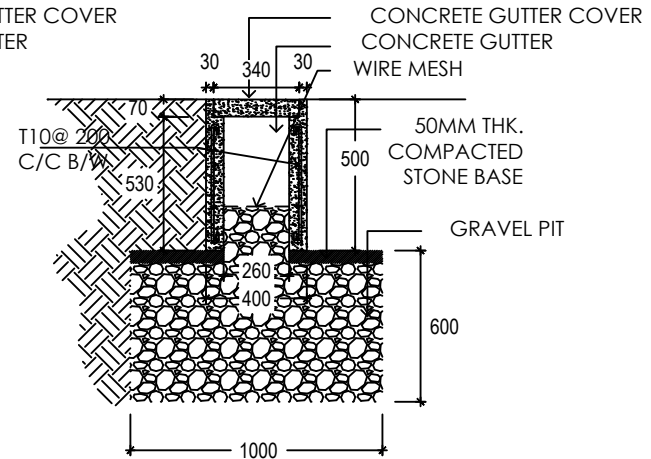
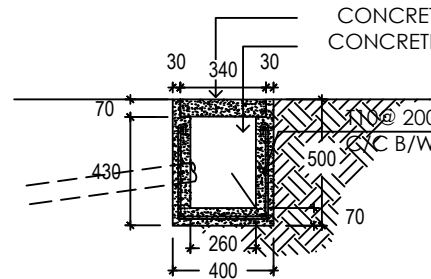
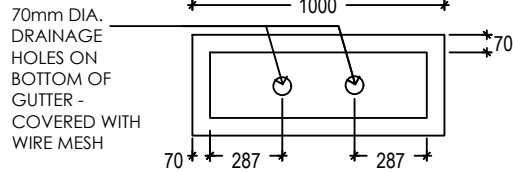
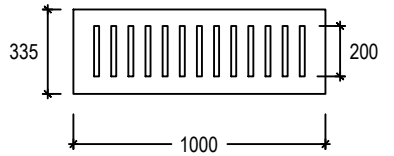
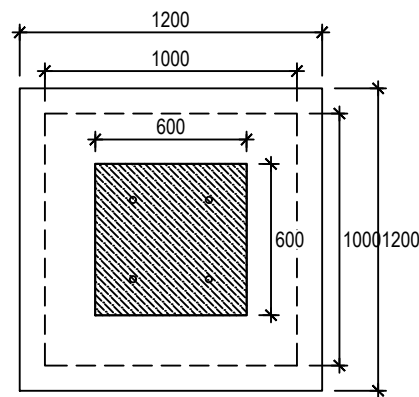
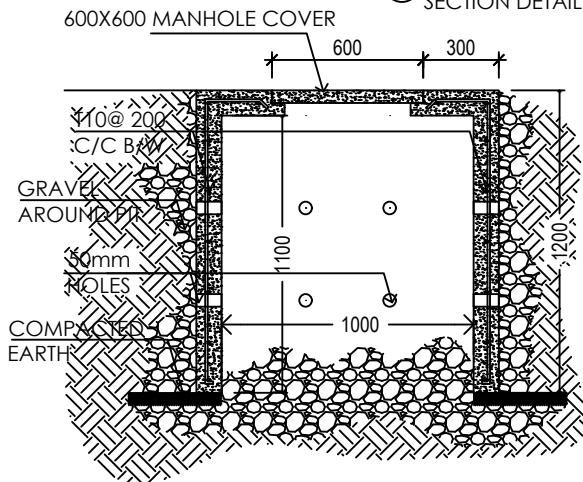


○ CONCRETE GUTTER TOP  
FABRICATED WITH MASS CONCRETE

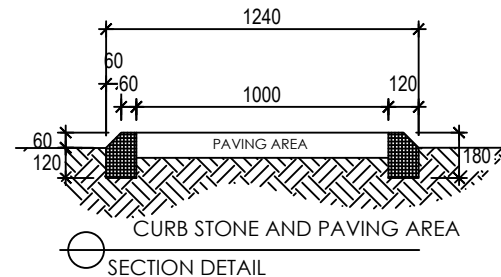


○ CONCRETE GUTTER SECTION DETAIL



○ CONCRETE SOAK PIT/WELL SECTION DETAIL

○ DRAINAGE OPTION 2  
WHERE SOAK PIT AREA IS UNAVAILABLE



CLIENT:  
MINISTRY OF YOUTH AND SPORTS

PROJECT:

AT FULL PITCH

DRAWN BY:  
MS

SCALE:  
AS GIVEN

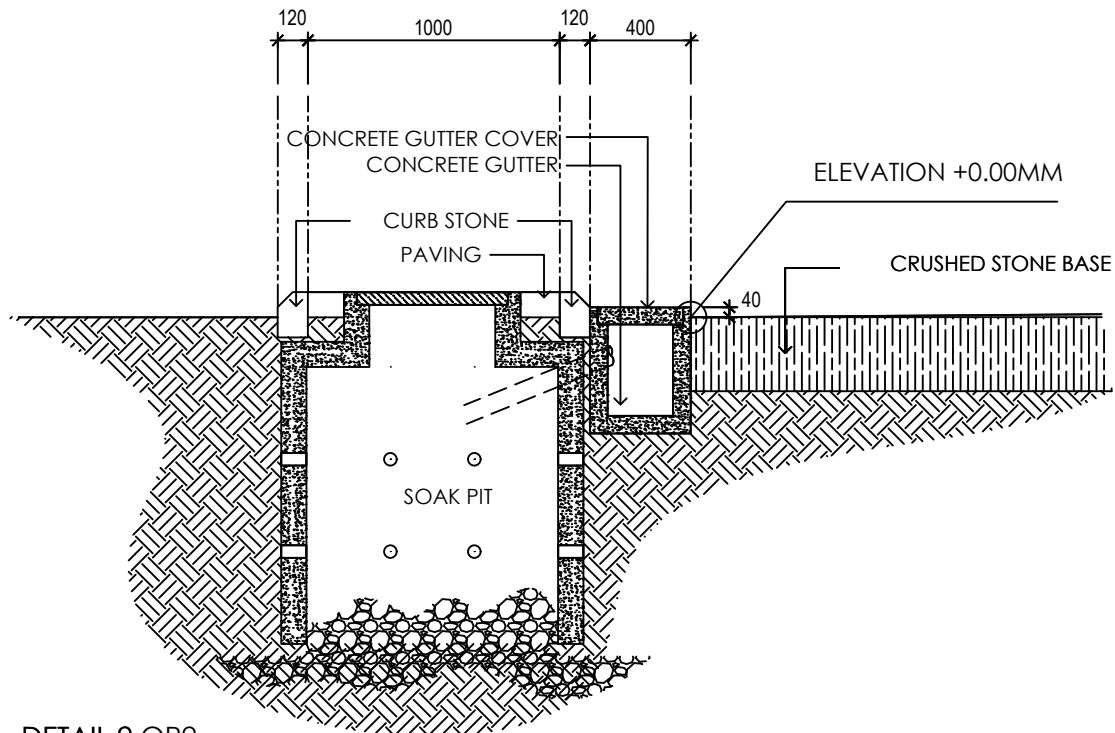
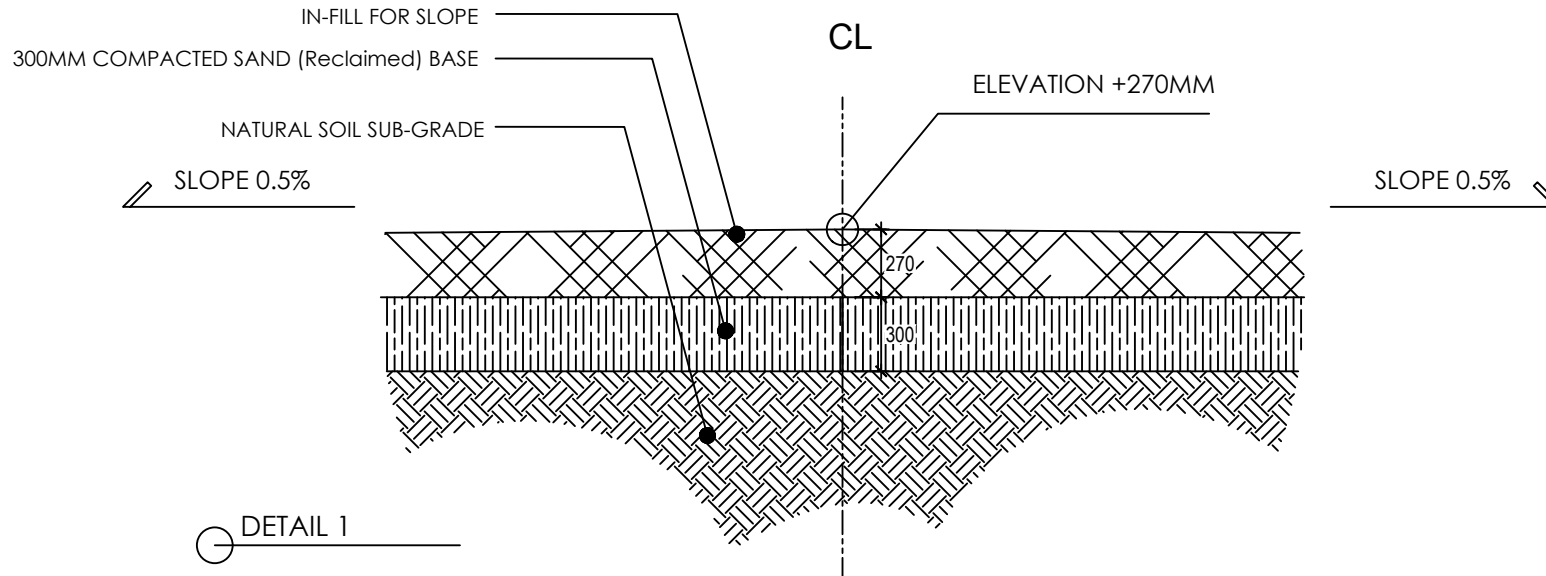
DATE:  
NOV 2019

PAGE NO.:  
01 / 01

COMMENTS:

DO NOT MEASURE FROM THE DRAWING. FOLLOW DIMENSIONS GIVEN.





CLIENT:  
MINISTRY OF YOUTH AND SPORTS

PROJECT:

AT FULL PITCH

|                   |                      |
|-------------------|----------------------|
| DRAWN BY:<br>MS   | SCALE:<br>AS GIVEN   |
| DATE:<br>NOV 2019 | PAGE NO.:<br>01 / 01 |

COMMENTS:

\_\_\_\_\_

\_\_\_\_\_

\_\_\_\_\_

DO NOT MEASURE FROM THE DRAWING. FOLLOW DIMENSIONS GIVEN.

