

YOUTH CENTER (3500SQF)

ARCHITECTURAL DRAWINGS

27.02.2020

SIARCH

PRIVATE LIMITED
LONUZIYAARAY MAGU, MALE', 20075, MALDIVES
EMAIL: INFO@SIARCH.DESIGN
HTTP://WWW.SIARCH.DESIGN

YOUTH CENTER (3500SQF) DRAWING INDEX

PROJECT CODE: COM-20

CLIENT: MINISTRY OF YOUTH, SPORTS & COMMUNITY EMPOWERMENT

BUILDING: YOUTH CENTER (3500SQF)

BLDN.CODE.	DISC.	NO.	PDF FILE NAME	DRAWING TITLE		SCALE	FORMAT	DATE
				PRIMARY	SECONDARY			
YC	AR	01	COM-20_YC_AR01_A	DRAWING REGISTER		NTS	A3	31ST MARCH 2021
YC	AR	02	COM-20_YC_AR02_A	GROUND FLOOR PLAN		1:100	A3	31ST MARCH 2021
YC	AR	04	COM-20_YC_AR04_A	ROOF PLAN		1:100	A3	31ST MARCH 2021
YC	AR	05	COM-20_YC_AR05_A	ELEVATION E1 & E2		1:100	A3	31ST MARCH 2021
YC	AR	06	COM-20_YC_AR06_A	ELEVATION E3 & E4		1:100	A3	31ST MARCH 2021
YC	AR	07	COM-20_YC_AR07_A	SECTION X1-X1,		1:100	A3	31ST MARCH 2021
YC	AR	09	COM-20_YC_AR09_A	GROUND FLOOR DOOR AND WINDOW KEY PLAN		1:100	A3	31ST MARCH 2021
YC	AR	11	COM-20_YC_AR11_A	DOOR & WINDOW SCHEDULE 1		1:50	A3	31ST MARCH 2021
YC	AR	12	COM-20_YC_AR12_A	DOOR & WINDOW SCHEDULE 2		1:50	A3	31ST MARCH 2021
YC	AR	13	COM-20_YC_AR13_A	DOOR & WINDOW SCHEDULE 3		1:50	A3	31ST MARCH 2021
YC	AR	14	COM-20_YC_AR14_A	DOOR & WINDOW SCHEDULE 4		1:50	A3	31ST MARCH 2021
YC	AR	15	COM-20_YC_AR15_A	DOOR & WINDOW SCHEDULE 5		1:50	A3	31ST MARCH 2021
YC	AR	16	COM-20_YC_AR16_A	DOOR & WINDOW SCHEDULE 6		1:50	A3	31ST MARCH 2021
YC	AR	17	COM-20_YC_AR17_A	ARC DETAILS 1		1:20	A3	31ST MARCH 2021
YC	AR	18	COM-20_YC_AR18_A	ARC DETAILS 2		1:20	A3	31ST MARCH 2021

CLIENT:
MINISTRY OF YOUTH & SPORTS

DESIGN AND CONSULTANCY:



KEY PLAN:

WARNING:

- This drawing shall not be used for construction unless certified.
- Contractor to verify all dimensions of existing works on site before commencing any work or preparing shop drawings.
- Do not scale drawings, use written dimensions only.
- This drawing is to be read in conjunction with the specifications and conditions of contract.
- This drawing and design is copyright and no portion may be reproduced without the permission of the Consultant

REVISIONS

NO	DESCRIPTION	DATE

PROJECT:

PROPOSED YOUTH CENTER
(3500SQF)

PHASE:

- CONCEPT DESIGN
- DESIGN DEVELOPMENT
- TENDER DOCUMENT
- FOR CONSTRUCTION
- AS BUILD DRAWINGS

DESIGNATION	NAME	SIGNATURE
PROJECT MANAGER	MOHAMED SIRAJ	
STR. ENGINEER	AHMED ZUHAL	
ARCHITECT	ALI ZAMEER	
CHECKED	MOHAMED SIRAJ	
DRAWN	SHAFFAH	

DWG. NAME:

ARCHITECTURAL

DRAWING INDEX

CODE	DATE	DWG. NO:
COM-20	27-02-20	AR01
FORMAT	A1 A2 A3	
SCALE	- - NTS	ISSUE A
PDF FILE NAME: COM-18_SCF_AR01A		

CLIENT:
MINISTRY OF YOUTH & SPORTS

DESIGN AND CONSULTANCY:



KEY PLAN:

WARNING:

- This drawing shall not be used for construction unless certified.
- Contractor to verify all dimensions of existing works on site before commencing any work or preparing shop drawings.
- Do not scale drawings, use written dimensions only.
- This drawing is to be read in conjunction with the specifications and conditions of contract.
- This drawing and design is copyright and no portion may be reproduced without the permission of the Consultant

REVISIONS

NO	DESCRIPTION	DATE

PROJECT:

PROPOSED YOUTH CENTER
(3500SQF)

PHASE:

- CONCEPT DESIGN
- DESIGN DEVELOPMENT
- TENDER DOCUMENT
- FOR CONSTRUCTION
- AS BUILD DRAWINGS

DESIGNATION	NAME	SIGNATURE
PROJECT MANAGER	MOHAMED SIRAJ	
STR. ENGINEER	AHMED ZUHAL	
ARCHITECT	ALI ZAMEER	
CHECKED	MOHAMED SIRAJ	
DRAWN	SHAFFAH	

DWG. NAME:

ARCHITECTURAL

GROUND FLOOR PLAN

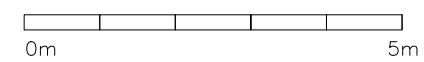
CODE	DATE	DWG. NO:
COM-20	27-02-20	AR01
FORMAT	A1 A2 A3	ISSUE A
SCALE	- - 1:100	

PDF FILE NAME: COM-18_SCF_AR06A



EXTERIOR PERSPECTIVE

SCALE 1:100



CLIENT:
MINISTRY OF YOUTH & SPORTS

DESIGN AND CONSULTANCY:
SIARCH
PRIVATE LIMITED
CONSULTANTS: MOHAMED SIRAJ, AHMED ZUHAL
EMAIL: INFO@SIARCH.DESIGN
HTTP://WWW.SIARCH.DESIGN

KEY PLAN:

WARNING:

- This drawing shall not be used for construction unless certified.
- Contractor to verify all dimensions of existing works on site before commencing any work or preparing shop drawings.
- Do not scale drawings, use written dimensions only.
- This drawing is to be read in conjunction with the specifications and conditions of contract.
- This drawing and design is copyright and no portion may be reproduced without the permission of the Consultant

REVISIONS

NO	DESCRIPTION	DATE

PROJECT:
PROPOSED YOUTH CENTER
(3500SQF)

PHASE:

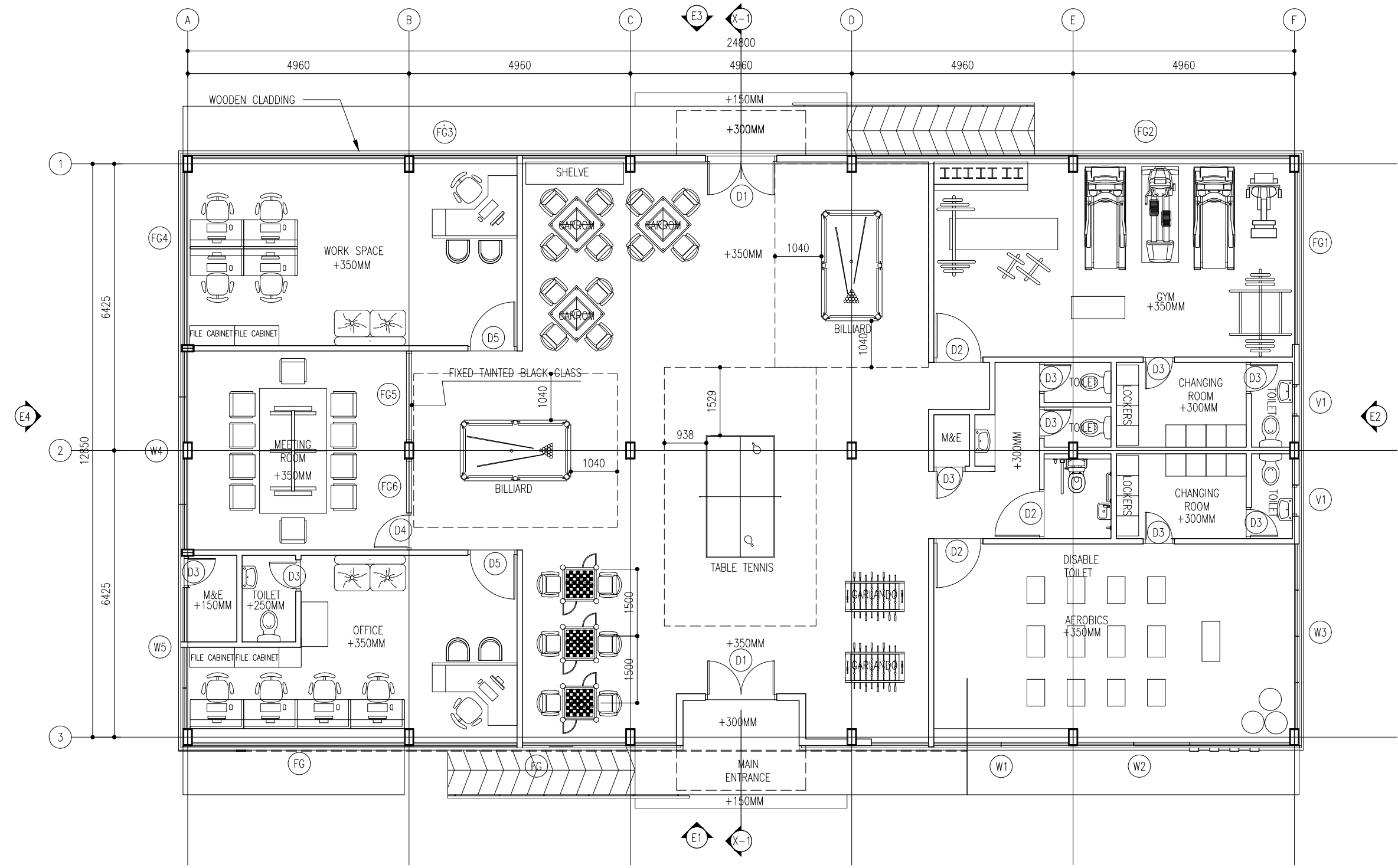
- CONCEPT DESIGN
- DESIGN DEVELOPMENT
- TENDER DOCUMENT
- FOR CONSTRUCTION
- AS BUILD DRAWINGS

DESIGNATION	NAME	SIGNATURE
PROJECT MANAGER	MOHAMED SIRAJ	
STR. ENGINEER	AHMED ZUHAL	
ARCHITECT	ALI ZAMEER	
CHECKED	MOHAMED SIRAJ	
DRAWN	SHAFFAH	

DWG. NAME:
ARCHITECTURAL

GROUND FLOOR PLAN

CODE	DATE	DWG. NO.
COM-20	27-02-20	AR01
FORMAT	A1 A2 A3	ISSUE A
SCALE	- - 1:100	
PDF FILE NAME: COM-18_SCF_AR06A		



GROUND FLOOR PLAN
SCALE 1:100
0m 5m

WARNING:

- This drawing shall not be used for construction unless certified.
- Contractor to verify all dimensions of existing works on site before commencing any work or preparing shop drawings.
- Do not scale drawings, use written dimensions only.
- This drawing is to be read in conjunction with the specifications and conditions of contract.
- This drawing and design is copyright and no portion may be reproduced without the permission of the Consultant

REVISIONS

NO	DESCRIPTION	DATE

PROJECT:

PROPOSED YOUTH CENTER
(3500SQF)

PHASE:

- CONCEPT DESIGN
- DESIGN DEVELOPMENT
- TENDER DOCUMENT
- FOR CONSTRUCTION
- AS BUILD DRAWINGS

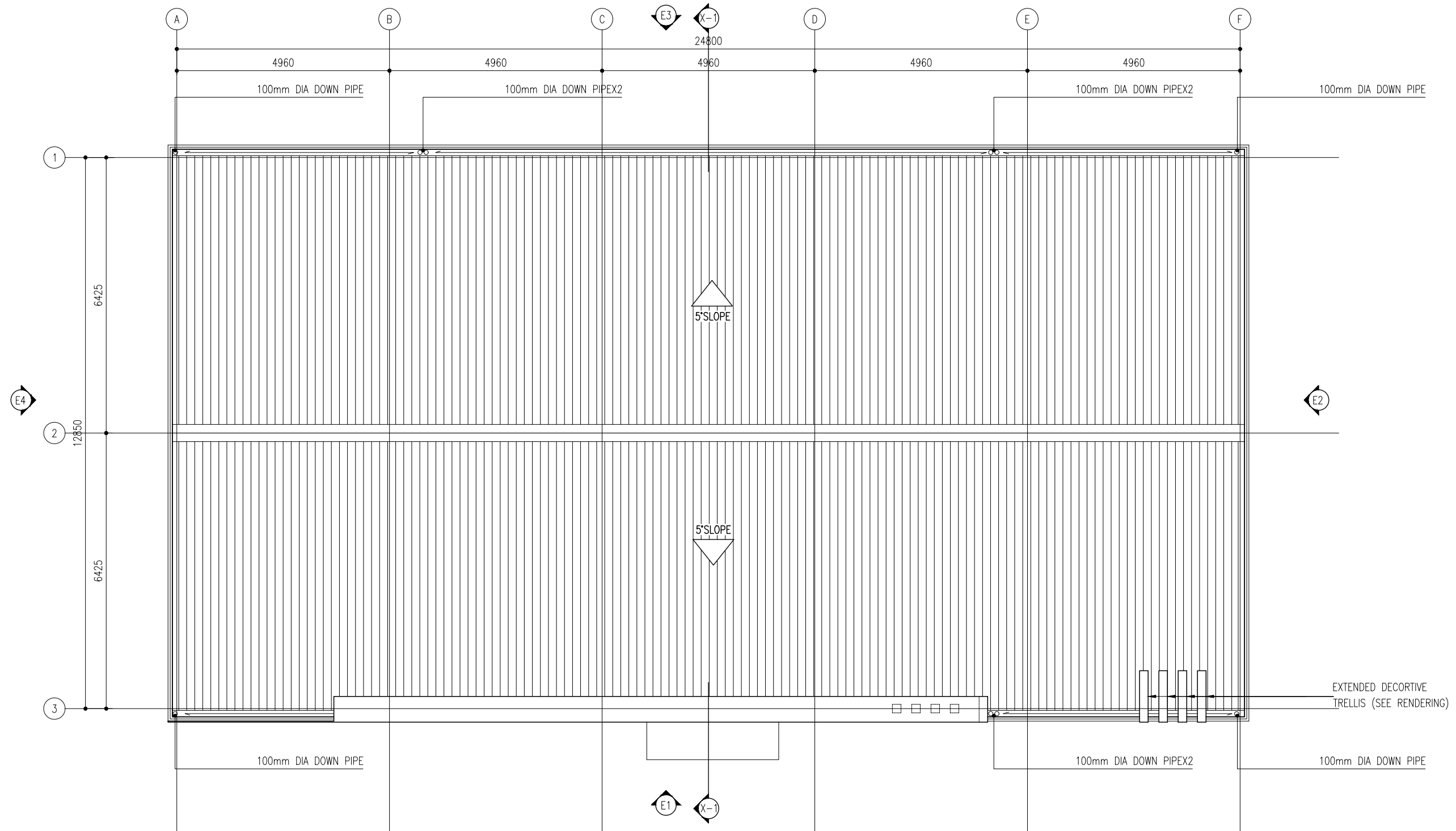
DESIGNATION	NAME	SIGNATURE
PROJECT MANAGER	MOHAMED SIRAJ	
STR. ENGINEER	AHMED ZUHAL	
ARCHITECT	ALI ZAMEER	
CHECKED	MOHAMED SIRAJ	
DRAWN	SHAFFAH	

DWG. NAME:

ARCHITECTURAL

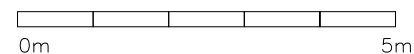
ROOF PLAN

CODE	DATE	DWG. NO:
COM-20	27-02-20	AR02
FORMAT	A1 A2 A3	
SCALE	- - 1:100	ISSUE A
PDF FILE NAME: COM-18_SCF_AR06A		



ROOF PLAN

SCALE 1:100



WARNING:

- This drawing shall not be used for construction unless certified.
- Contractor to verify all dimensions of existing works on site before commencing any work or preparing shop drawings.
- Do not scale drawings, use written dimensions only.
- This drawing is to be read in conjunction with the specifications and conditions of contract.
- This drawing and design is copyright and no portion may be reproduced without the permission of the Consultant

REVISIONS

NO	DESCRIPTION	DATE

PROJECT:

PROPOSED YOUTH CENTER
(3500SQF)

PHASE:

- CONCEPT DESIGN
- DESIGN DEVELOPMENT
- TENDER DOCUMENT
- FOR CONSTRUCTION
- AS BUILD DRAWINGS

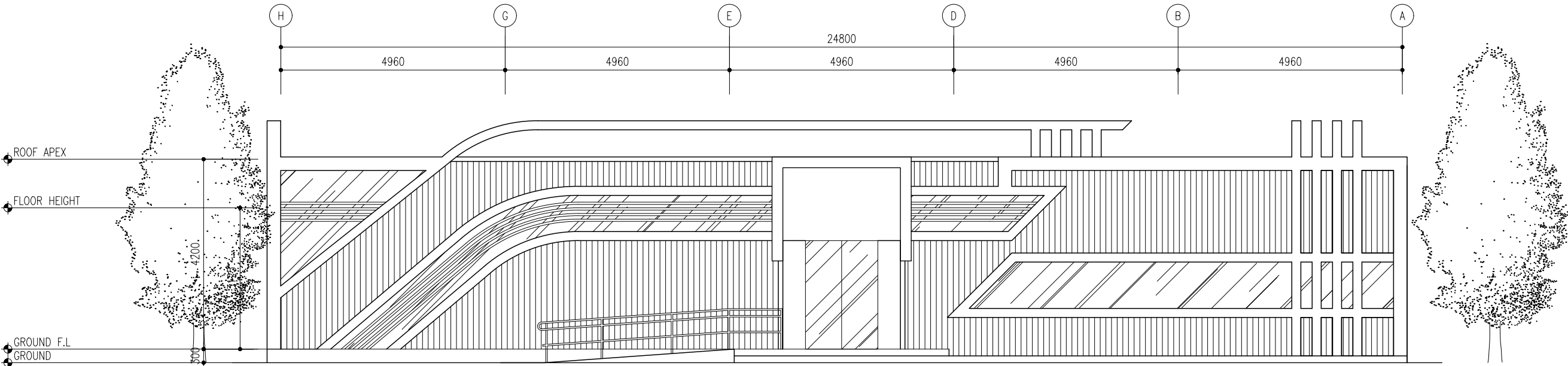
DESIGNATION	NAME	SIGNATURE
PROJECT MANAGER	MOHAMED SIRAJ	
STR. ENGINEER	AHMED ZUHAL	
ARCHITECT	ALI ZAMEER	
CHECKED	MOHAMED SIRAJ	
DRAWN	SHAFFAH	

DWG. NAME:

ARCHITECTURAL

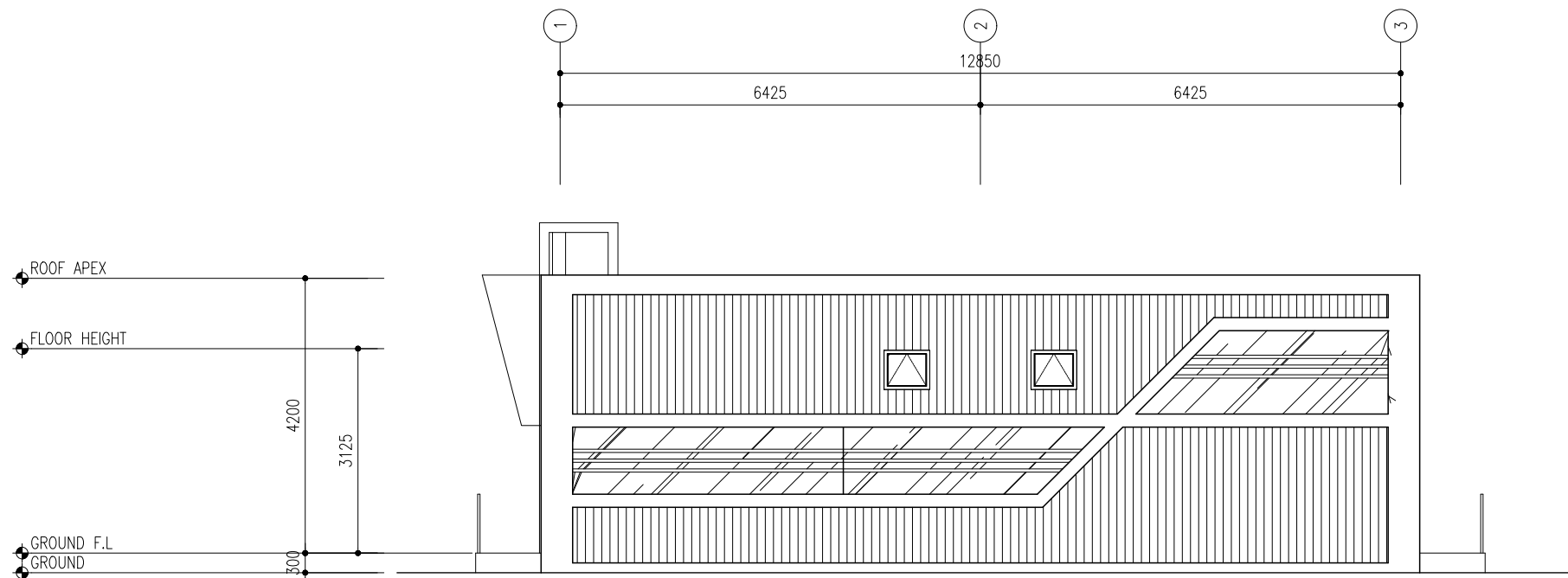
ELEVATION E1 & E2

CODE	DATE	DWG. NO:
COM-20	27-02-20	AR03
FORMAT	A1 A2 A3	
SCALE	- - 1:100	ISSUE A
PDF FILE NAME: COM-18_SCF_AR06A		



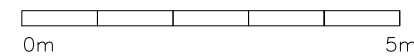
ELEVATION E1

SCALE 1:100



ELEVATION E2

SCALE 1:100



WARNING:

- This drawing shall not be used for construction unless certified.
- Contractor to verify all dimensions of existing works on site before commencing any work or preparing shop drawings.
- Do not scale drawings, use written dimensions only.
- This drawing is to be read in conjunction with the specifications and conditions of contract.
- This drawing and design is copyright and no portion may be reproduced without the permission of the Consultant

REVISIONS

NO	DESCRIPTION	DATE

PROJECT:

PROPOSED YOUTH CENTER
(3500SQF)

PHASE:

- CONCEPT DESIGN
- DESIGN DEVELOPMENT
- TENDER DOCUMENT
- FOR CONSTRUCTION
- AS BUILD DRAWINGS

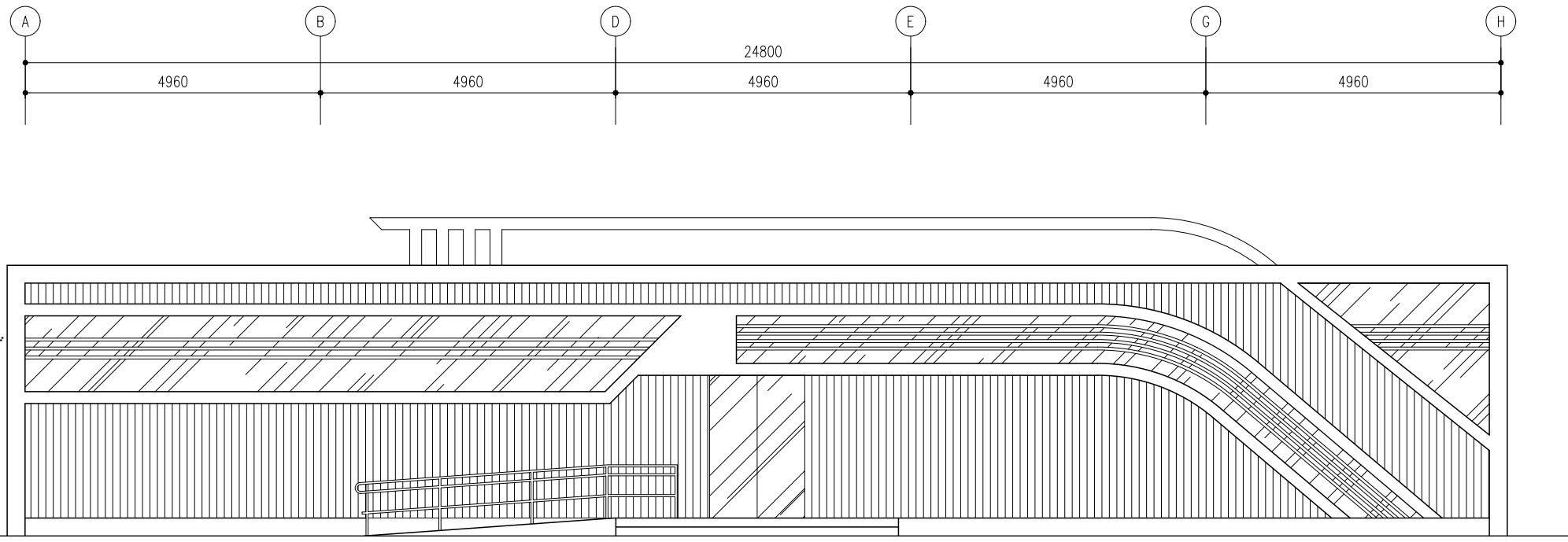
DESIGNATION	NAME	SIGNATURE
PROJECT MANAGER	MOHAMED SIRAJ	
STR. ENGINEER	AHMED ZUHAL	
ARCHITECT	ALI ZAMEER	
CHECKED	MOHAMED SIRAJ	
DRAWN	SHAFFAH	

DWG. NAME:

ARCHITECTURAL

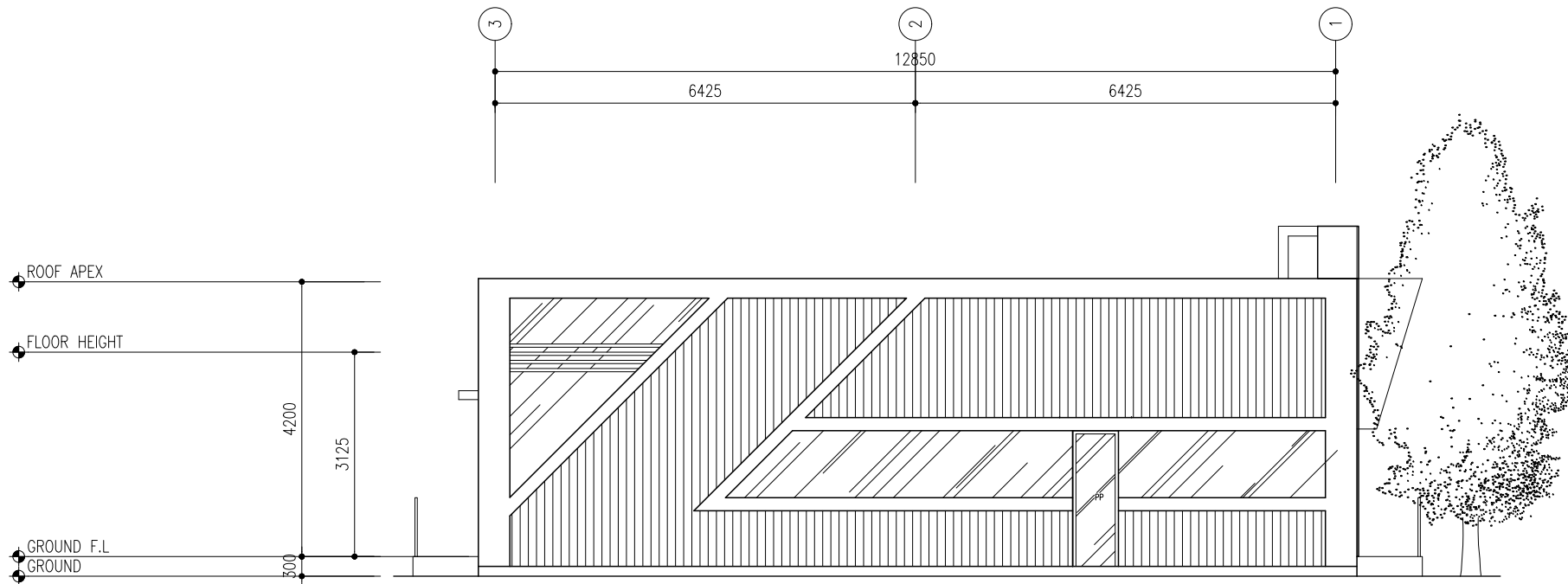
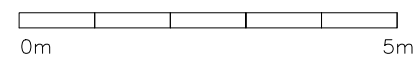
ELEVATION E3 & E4

CODE	DATE	DWG. NO:
COM-20	27-02-20	AR04
FORMAT	A1 A2 A3	
SCALE	- 1:100	ISSUE A
PDF FILE NAME: COM-18_SCF_AR06A		



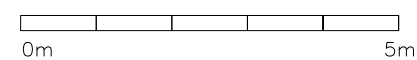
ELEVATION E3

SCALE 1:100



ELEVATION E4

SCALE 1:100



CLIENT:
MINISTRY OF YOUTH & SPORTS

DESIGN AND CONSULTANCY:



KEY PLAN:

WARNING:

- This drawing shall not be used for construction unless certified.
- Contractor to verify all dimensions of existing works on site before commencing any work or preparing shop drawings.
- Do not scale drawings, use written dimensions only.
- This drawing is to be read in conjunction with the specifications and conditions of contract.
- This drawing and design is copyright and no portion may be reproduced without the permission of the Consultant

REVISIONS

NO	DESCRIPTION	DATE

PROJECT:

PROPOSED YOUTH CENTER
(3500SQF)

PHASE:

- CONCEPT DESIGN
- DESIGN DEVELOPMENT
- TENDER DOCUMENT
- FOR CONSTRUCTION
- AS BUILD DRAWINGS

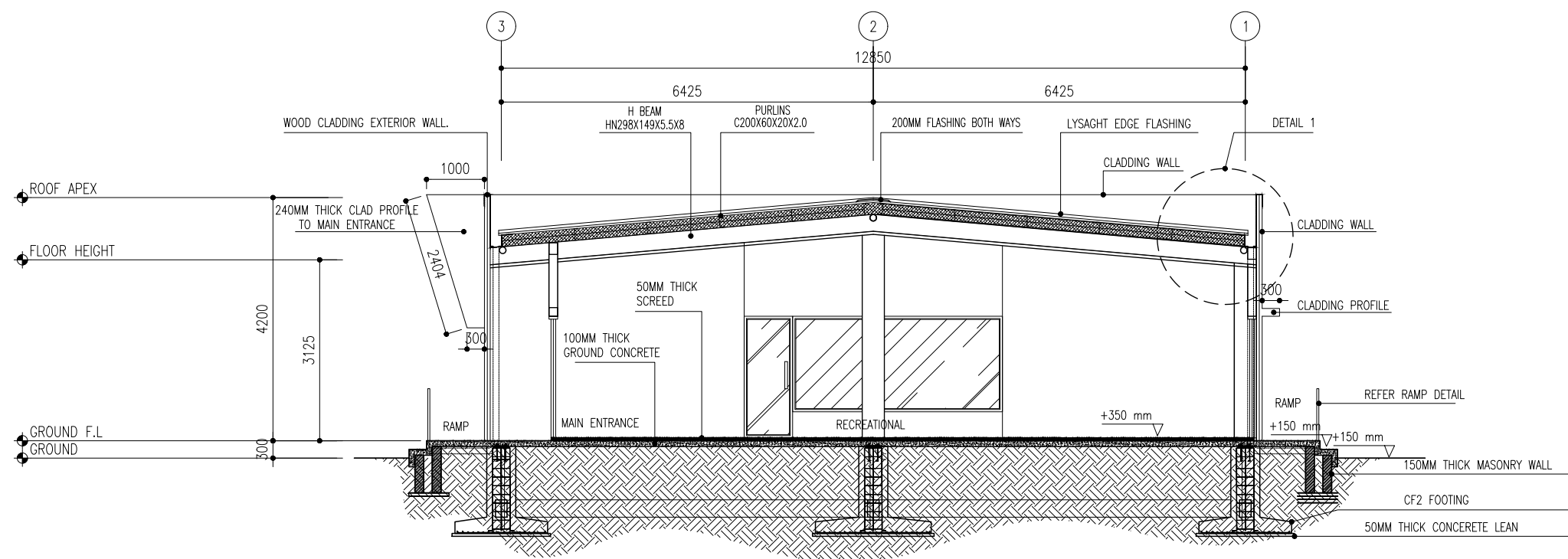
DESIGNATION	NAME	SIGNATURE
PROJECT MANAGER	MOHAMED SIRAJ	
STR. ENGINEER	AHMED ZUHAL	
ARCHITECT	ALI ZAMEER	
CHECKED	MOHAMED SIRAJ	
DRAWN	SHAFFAH	

DWG. NAME:

ARCHITECTURAL

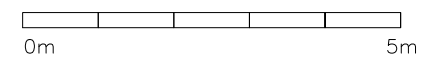
SECTION

CODE	DATE	DWG. NO:
COM-20	27-02-20	AR05
FORMAT	A1 A2 A3	
SCALE	- - 1:100	ISSUE A
PDF FILE NAME: COM-18_SCF_AR06.A		

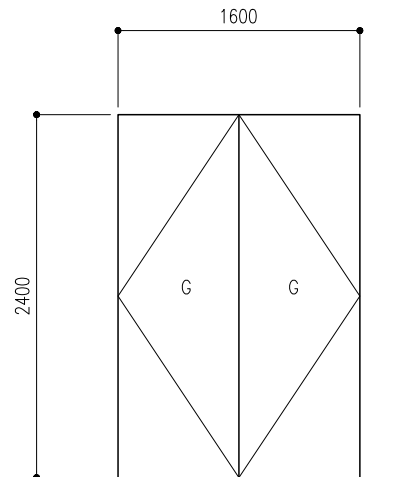


SECTION X-X

SCALE 1:100

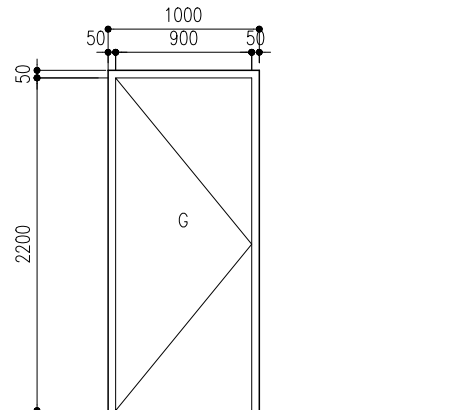


SYMBOL	D1	TOTAL = 02 nos.
AREA		G.A. = 3.50 m ²



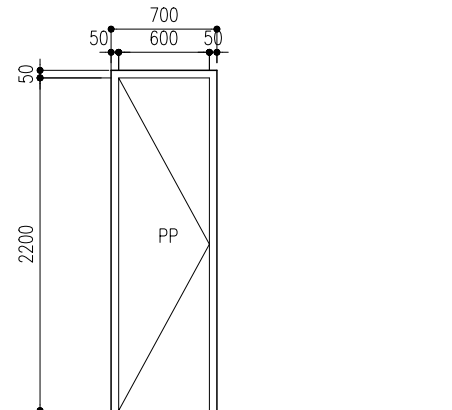
ELEVATION		
FLR. LVL.	↓	
LOCATION	MAIN ENTRANCES	
QUANTITY	02	
DOOR FRAME	FRAME LESS	
DOOR PANEL	6MM FLOAT GLASS	
LOCK/HINGES	BRUSHED METAL (SILVER) HANDLE X 3 LOCK X 1	
FINISHES	WHITE FINISH	
REMARKS	TINTED GLASS	

SYMBOL	D2	TOTAL = 02 nos.
AREA		G.A. = 0.9 m ²



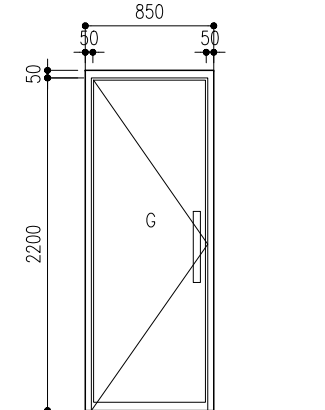
LOCATION	AEROBICS, GYM	
QUANTITY	02	
DOOR FRAME	FROSTED GLASS	
DOOR PANEL	ALUMINIUM WHITE COAT FINISH	
LOCK/HINGES	BRUSHED METAL (SILVER) HANDLE X 3 LOCK X 1	
FINISHES	WHITE FINISH	
REMARKS	TINTED GLASS	

SYMBOL	D3	TOTAL = 09 nos.
AREA		G.A. = 0.8 m ²



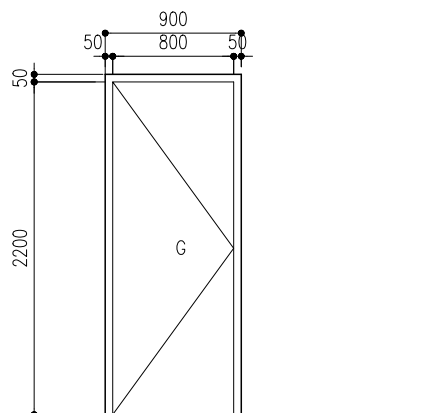
LOCATION	TOILETS,M&E, CHANGING ROOM	
QUANTITY	09	
DOOR FRAME	TIMBER, NYATOH OR EQUIVALENT	
DOOR PANEL	TIMBER PANEL	
LOCK/HINGES	BUTT HINGE (SILVER) X 4 KNOB LOCKSET X 1	
FINISHES	WOOD STAIN FINISH	
REMARKS		

SYMBOL	D4	TOTAL = 01 nos.
AREA		G.A. = 1.72 m ²



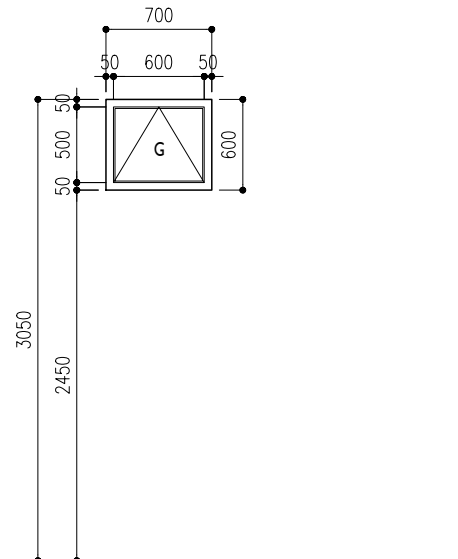
LOCATION	MEETING ROOM	
QUANTITY	01	
DOOR FRAME	POWDER COATED ALUMINUM FRAME	
DOOR PANEL	POWDER COATED ALUMINUM WITH 6MM FLOAT GLASS	
LOCK/HINGES	BRUSHED METAL (SILVER) HANDLE X 3 LOCK X 1	
FINISHES	WHITE FINISH	
REMARKS	FIXED GLASS & GLASS DOOR	

SYMBOL	D5	TOTAL = 02 nos.
AREA		G.A. = 0.9 m ²



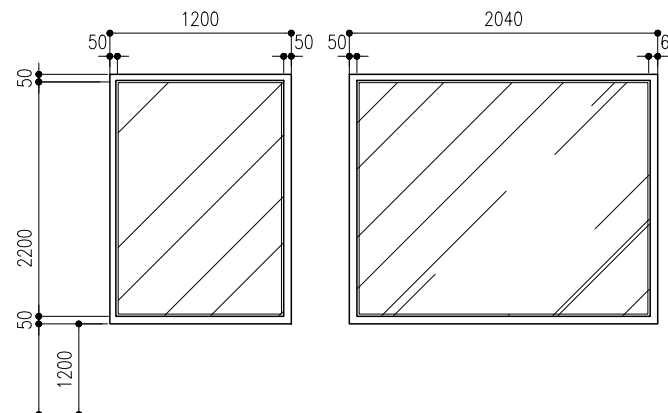
LOCATION	OFFICE, WORK SPACE	
QUANTITY	02	
DOOR FRAME	FROSTED GLASS	
DOOR PANEL	ALUMINIUM WHITE COAT FINISH	
LOCK/HINGES	BRUSHED METAL (SILVER) HANDLE X 3 LOCK X 1	
FINISHES	WHITE FINISH	
REMARKS		

SYMBOL	V1	TOTAL = 02 nos.
AREA		G.A. = 0.30 m ²



LOCATION	TOILETS, CHANGING ROOM	
QUANTITY	02	
DOOR FRAME	POWDER COATED ALUMINUM FRAME	
DOOR PANEL	POWDER COATED ALUMINUM BOARD WITH 6MM FLOAT GLASS	
LOCK/HINGES	BRUSHED METAL (SILVER) X 3 LOCK X 1	
FINISHES	WHITE FINISH	
REMARKS	TINTED GLASS	

SYMBOL	FG5/6	TOTAL = 01 nos.
AREA		G.A. = 10.69 m ²



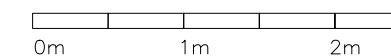
LOCATION	TOILETS, CHANGING ROOM	
QUANTITY	02	
DOOR FRAME	POWDER COATED ALUMINUM FRAME	
DOOR PANEL	POWDER COATED ALUMINUM BOARD WITH 6MM FLOAT GLASS	
LOCK/HINGES	BRUSHED METAL (SILVER) X 3 LOCK X 1	
FINISHES	WHITE FINISH	
REMARKS	TINTED GLASS	

NOTE:

G: 6MM THK. GLAZIG
 FG: 6MM THK. FIXED GLAZING
 PP: 35MM THK. H/W FRMAE PLY DOOR
 T: TIMBER
 AL: ALUMINIUM LOUVER

DOOR & WINDOW SCHEDULE 1

SCALE 1:50



CLIENT:
MINISTRY OF YOUTH & SPORTS

DESIGN AND CONSULTANCY:



KEY PLAN:

WARNING:

- This drawing shall not be used for construction unless certified.
- Contractor to verify all dimensions of existing works on site before commencing any work or preparing shop drawings.
- Do not scale drawings, use written dimensions only.
- This drawing is to be read in conjunction with the specifications and conditions of contract.
- This drawing and design is copyright and no portion may be reproduced without the permission of the Consultant

REVISIONS

NO	DESCRIPTION	DATE

PROJECT:
PROPOSED YOUTH CENTER
(3500SQF)

- PHASE:
- CONCEPT DESIGN
 - DESIGN DEVELOPMENT
 - TENDER DOCUMENT
 - FOR CONSTRUCTION
 - AS BUILD DRAWINGS

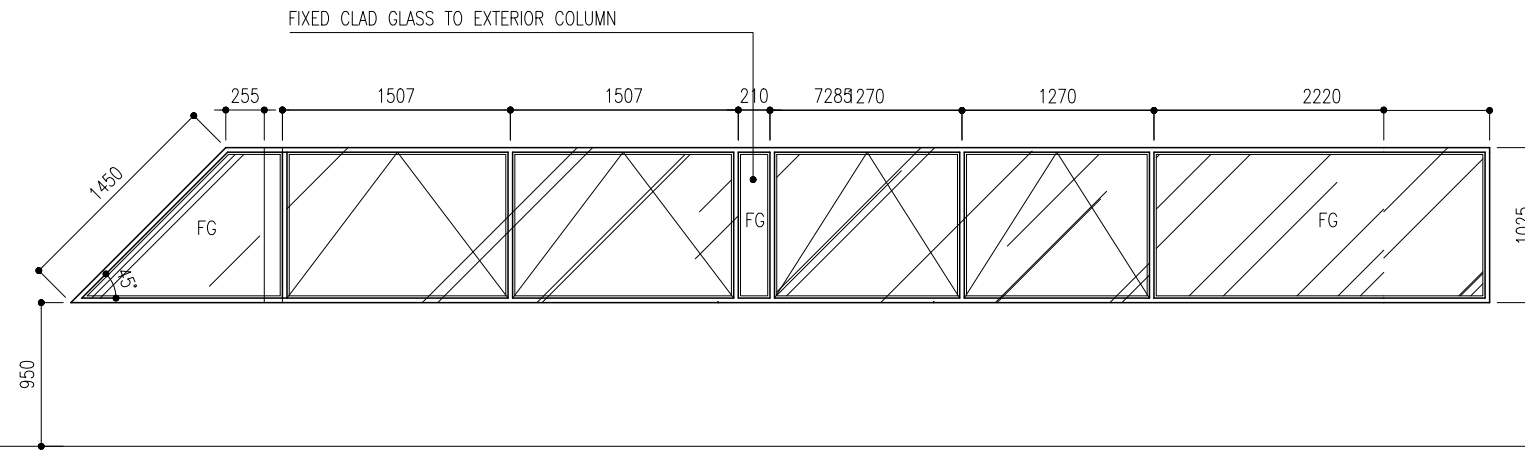
DESIGNATION	NAME	SIGNATURE
PROJECT MANAGER	MOHAMED SIRAJ	
STR. ENGINEER	AHMED ZUHAL	
ARCHITECT	ALI ZAMEER	
CHECKED	MOHAMED SIRAJ	
DRAWN	SHAFFAH	

DWG. NAME:
ARCHITECTURAL

DOOR & WINDOW SCHEDULE 1

CODE	DATE	DWG. NO:
COM-20	27-02-20	AR06
FORMAT	A1 A2 A3	
SCALE	- - 1:50	ISSUE A
PDF FILE NAME: COM-18_SCF_AR1.LA		

SYMBOL	W1 + W2	TOTAL = 01 nos.
AREA		G.A. = 2.20 m ²

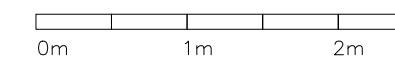


FLR LVL ↓

LOCATION	AEROBICS
QUANTITY	01
DOOR FRAME	FRAME LESS
DOOR PANEL	6MM FLOAT GLASS
LOCK/HINGES	BRUSHED METAL (SILVER) HANDLE X 3 LOCK X 1
FINISHES	WHITE FINISH
REMARKS	TINTED BLACK GLASS

DOOR & WINDOW SCHEDULE A

SCALE 1:50



DESIGN AND CONSULTANCY:



KEY PLAN:

WARNING:

- This drawing shall not be used for construction unless certified.
- Contractor to verify all dimensions of existing works on site before commencing any work or preparing shop drawings.
- Do not scale drawings, use written dimensions only.
- This drawing is to be read in conjunction with the specifications and conditions of contract.
- This drawing and design is copyright and no portion may be reproduced without the permission of the Consultant

REVISIONS

NO	DESCRIPTION	DATE

PROJECT:

PROPOSED YOUTH CENTER
(3500SQF)

PHASE:

- CONCEPT DESIGN
- DESIGN DEVELOPMENT
- TENDER DOCUMENT
- FOR CONSTRUCTION
- AS BUILD DRAWINGS

DESIGNATION	NAME	SIGNATURE
PROJECT MANAGER	MOHAMED SIRAJ	
STR. ENGINEER	AHMED ZUHAI	
ARCHITECT	ALI ZAMEER	
CHECKED	MOHAMED SIRAJ	
DRAWN	SHAFFAH	

DWG. NAME:

ARCHITECTURAL

DOOR & WINDOW SCHEDULE 1

CODE	DATE	DWG. NO:
COM-20	27-02-20	AR07
FORMAT	A1 A2 A3	
SCALE	- - 150	ISSUE A
PDF FILE NAME: COM-18_SCF_AR1.LA		

KEY PLAN:

WARNING:
- This drawing shall not be used for construction unless certified.
- Contractor to verify all dimensions of existing works on site before commencing any work or preparing shop drawings.
- Do not scale drawings, use written dimensions only.
- This drawing is to be read in conjunction with the specifications and conditions of contract.
- This drawing and design is copyright and no portion may be reproduced without the permission of the Consultant

REVISIONS

NO	DESCRIPTION	DATE

PROJECT:
**PROPOSED YOUTH CENTER
(3500SQF)**

PHASE:
 CONCEPT DESIGN
 DESIGN DEVELOPMENT
 TENDER DOCUMENT
 FOR CONSTRUCTION
 AS BUILD DRAWINGS

DESIGNATION	NAME	SIGNATURE
PROJECT MANAGER	MOHAMED SIRAJ	
STR. ENGINEER	AHMED ZUHAL	
ARCHITECT	ALI ZAMEER	
CHECKED	MOHAMED SIRAJ	
DRAWN	SHAFFAH	

DWG. NAME:
ARCHITECTURAL

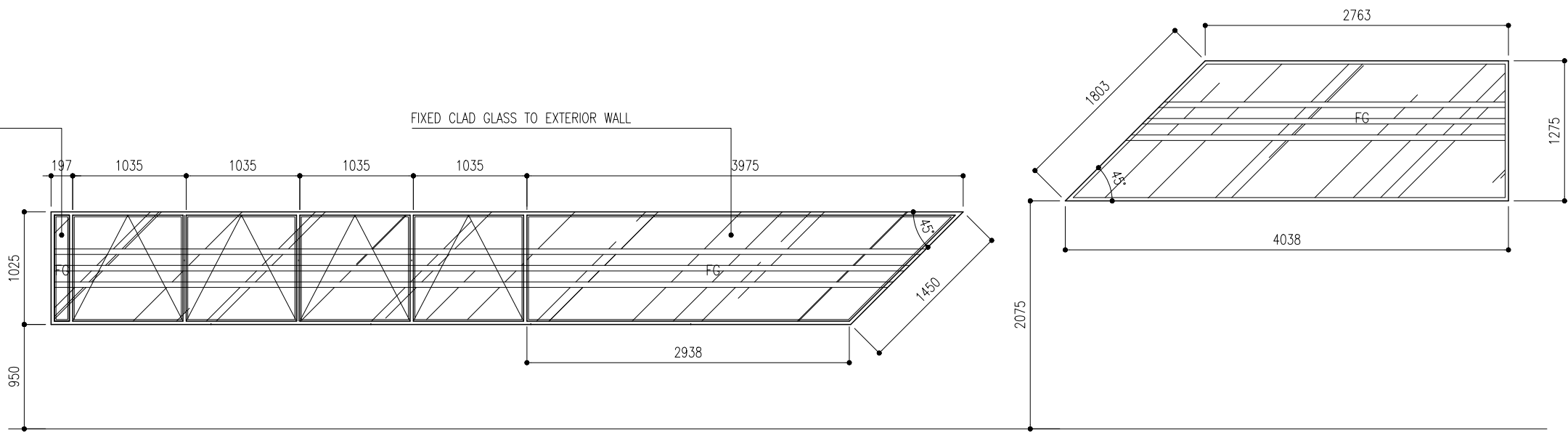
DOOR & WINDOW SCHEDULE 1

CODE	DATE	DWG. NO:
COM-20	27-02-20	AR08
FORMAT	A1 A2 A3	ISSUE A
SCALE	- - 150	
PDF FILE NAME: COM-18_SCF_AR1.LA		

SYMBOL	W3 TOTAL = 01 nos.	FG1 TOTAL = 01 nos.
AREA	G.A. = 1.58 m ²	

FIXED CLAD GLASS TO EXTERIOR COLUMN

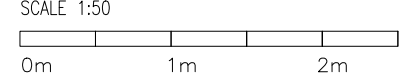
FIXED CLAD GLASS TO EXTERIOR WALL



FLR LVL
↓

LOCATION	QUANTITY	DOOR FRAME	DOOR PANEL	LOCK/HINGES	FINISHES	REMARKS
AEROBICS HALL	01	FRAME LESS	6MM FLOAT GLASS	BRUSHED METAL (SILVER) HANDLE X 3 LOCK X 1	WHITE FINISH	TINTED BLACK GLASS
GYM HALL	01	FRAME LESS	6MM FLOAT GLASS		WHITE FINISH	TINTED BLACK GLASS

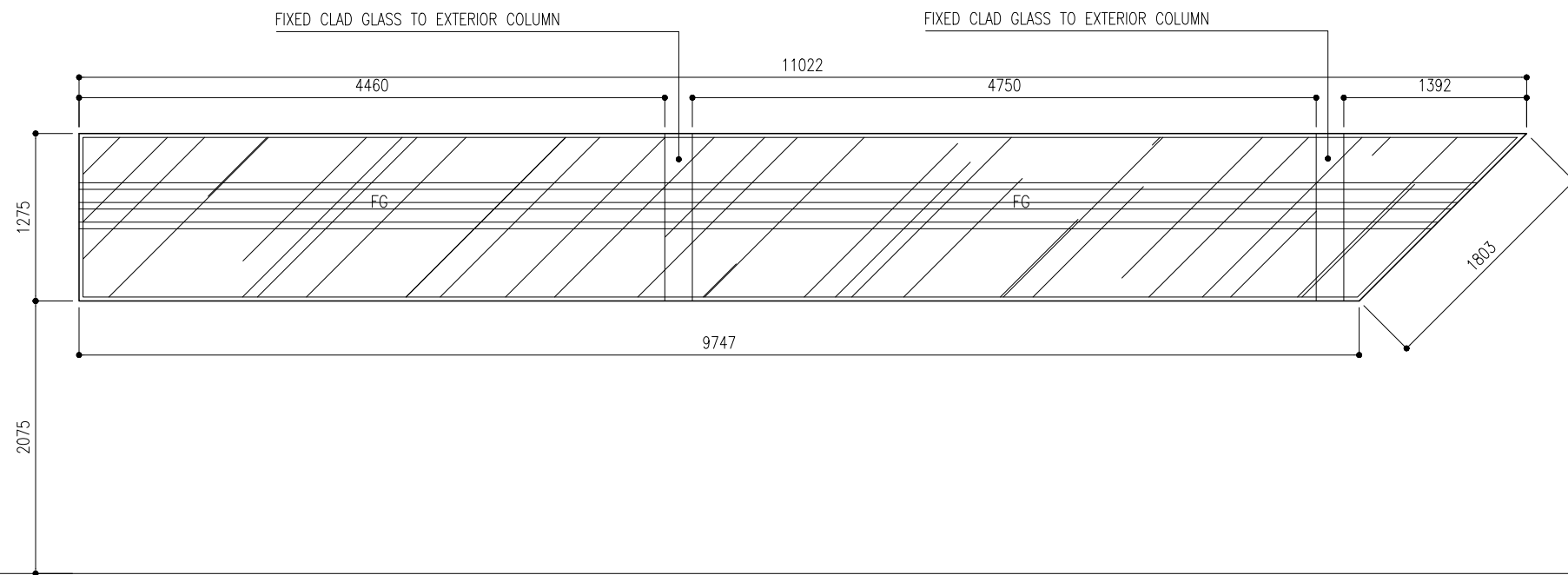
DOOR & WINDOW SCHEDULE B



SYMBOL	FG2
AREA	G.A. = 1.58 m ²

FG2 TOTAL = 01 nos.

G.A. = 1.58 m²



FLR LVL. ↓

LOCATION	GYM HALL
QUANTITY	01
DOOR FRAME	FRAME LESS
DOOR PANEL	6MM FLOAT GLASS
LOCK/HINGES	BRUSHED METAL (SILVER) HANDLE X 3 LOCK X 1
FINISHES	WHITE FINISH
REMARKS	TINTED BLACK GLASS

GYM HALL

01

FRAME LESS

6MM FLOAT GLASS

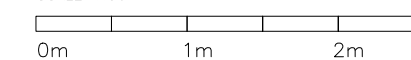
BRUSHED METAL (SILVER) HANDLE X 3 LOCK X 1

WHITE FINISH

TINTED BLACK GLASS

DOOR & WINDOW SCHEDULE C

SCALE 1:50



CLIENT:
MINISTRY OF YOUTH & SPORTS

DESIGN AND CONSULTANCY:



KEY PLAN:

WARNING:

- This drawing shall not be used for construction unless certified.
- Contractor to verify all dimensions of existing works on site before commencing any work or preparing shop drawings.
- Do not scale drawings, use written dimensions only.
- This drawing is to be read in conjunction with the specifications and conditions of contract.
- This drawing and design is copyright and no portion may be reproduced without the permission of the Consultant

REVISIONS

NO	DESCRIPTION	DATE

PROJECT:

PROPOSED YOUTH CENTER
(3500SQF)

PHASE:

- CONCEPT DESIGN
- DESIGN DEVELOPMENT
- TENDER DOCUMENT
- FOR CONSTRUCTION
- AS BUILD DRAWINGS

DESIGNATION	NAME	SIGNATURE
PROJECT MANAGER	MOHAMED SIRAJ	
STR. ENGINEER	AHMED ZUHAIL	
ARCHITECT	ALI ZAMEER	
CHECKED	MOHAMED SIRAJ	
DRAWN	SHAFFAH	

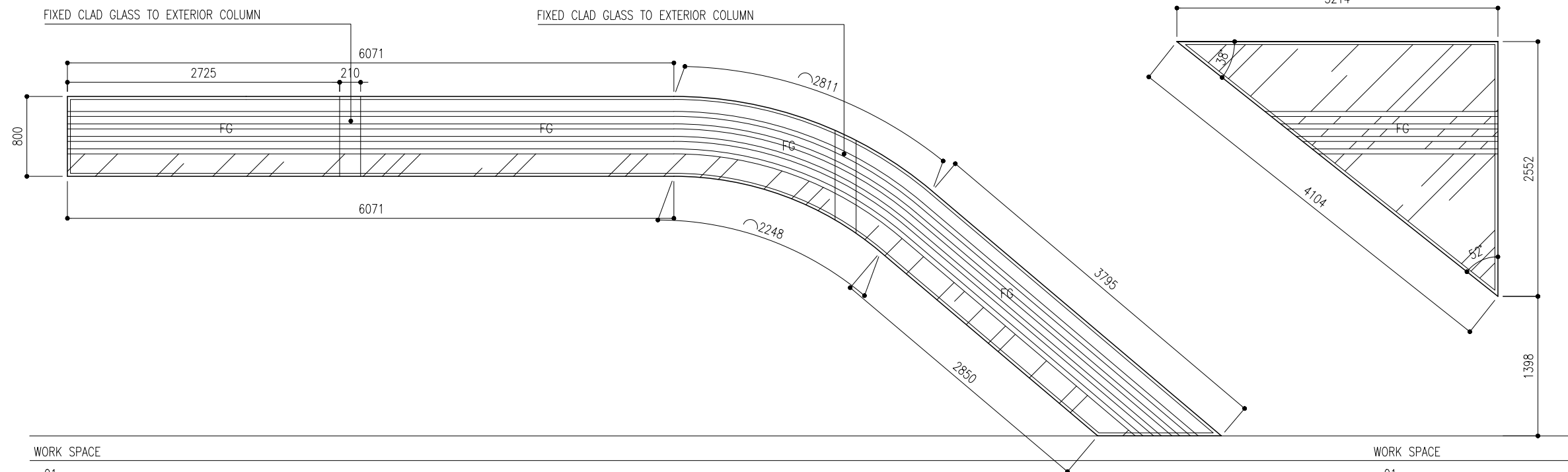
DWG. NAME:

ARCHITECTURAL

DOOR & WINDOW SCHEDULE 1

CODE	DATE	DWG. NO:
COM-20	27-02-20	AR09
FORMAT	A1 A2 A3	
SCALE	- - 150	ISSUE A
PDF FILE NAME: COM-18_SCF_AR1.LA		

SYMBOL	FG3-A TOTAL = 01 nos.	FG3-B TOTAL = 01 nos.
AREA		



FLR LVL.		
LOCATION	WORK SPACE	WORK SPACE
QUANTITY	01	01
DOOR FRAME	FRAME LESS	FRAME LESS
DOOR PANEL	6MM FLOAT GLASS	6MM FLOAT GLASS
LOCK/HINGES		
FINISHES	WHITE FINISH	WHITE FINISH
REMARKS	TINTED BLACK GLASS	TINTED BLACK GLASS

CLIENT:
MINISTRY OF YOUTH & SPORTS

DESIGN AND CONSULTANCY:



KEY PLAN:

WARNING:

- This drawing shall not be used for construction unless certified.
- Contractor to verify all dimensions of existing works on site before commencing any work or preparing shop drawings.
- Do not scale drawings, use written dimensions only.
- This drawing is to be read in conjunction with the specifications and conditions of contract.
- This drawing and design is copyright and no portion may be reproduced without the permission of the Consultant

REVISIONS

NO	DESCRIPTION	DATE

PROJECT:

PROPOSED YOUTH CENTER
(3500SQF)

PHASE:

- CONCEPT DESIGN
- DESIGN DEVELOPMENT
- TENDER DOCUMENT
- FOR CONSTRUCTION
- AS BUILD DRAWINGS

DESIGNATION	NAME	SIGNATURE
PROJECT MANAGER	MOHAMED SIRAJ	
STR. ENGINEER	AHMED ZUHAL	
ARCHITECT	ALI ZAMEER	
CHECKED	MOHAMED SIRAJ	
DRAWN	SHAFFAH	

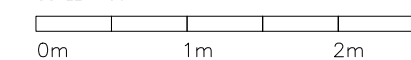
DWG. NAME:

ARCHITECTURAL

DOOR & WINDOW SCHEDULE 1

DOOR & WINDOW SCHEDULE D

SCALE 1:50



CODE	DATE	DWG. NO:
COM-20	27-02-20	AR10
FORMAT	A1 A2 A3	ISSUE A
SCALE	- - 150	
PDF FILE NAME: COM-18_SCF_AR10A		

KEY PLAN:

WARNING:

- This drawing shall not be used for construction unless certified.
- Contractor to verify all dimensions of existing works on site before commencing any work or preparing shop drawings.
- Do not scale drawings, use written dimensions only.
- This drawing is to be read in conjunction with the specifications and conditions of contract.
- This drawing and design is copyright and no portion may be reproduced without the permission of the Consultant

REVISIONS

NO	DESCRIPTION	DATE

PROJECT:

PROPOSED YOUTH CENTER
(3500SQF)

PHASE:

- CONCEPT DESIGN
- DESIGN DEVELOPMENT
- TENDER DOCUMENT
- FOR CONSTRUCTION
- AS BUILD DRAWINGS

DESIGNATION	NAME	SIGNATURE
PROJECT MANAGER	MOHAMED SIRAJ	
STR. ENGINEER	AHMED ZUHAL	
ARCHITECT	ALI ZAMEER	
CHECKED	MOHAMED SIRAJ	
DRAWN	SHAFFAH	

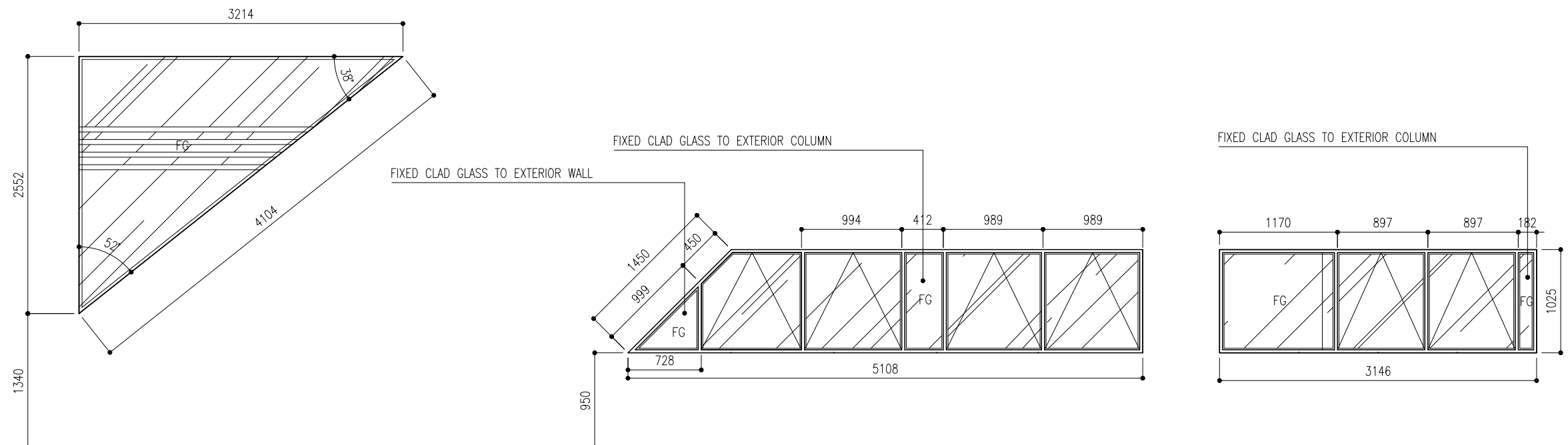
DWG. NAME:

ARCHITECTURAL

DOOR & WINDOW SCHEDULE 1

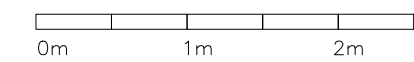
CODE	DATE	DWG. NO:	
COM-20	27-02-20	AR11	
FORMAT	A1	A2	A3
SCALE	-	-	1:50
ISSUE	A		
PDF FILE NAME: COM-18_SCF_AR11A			

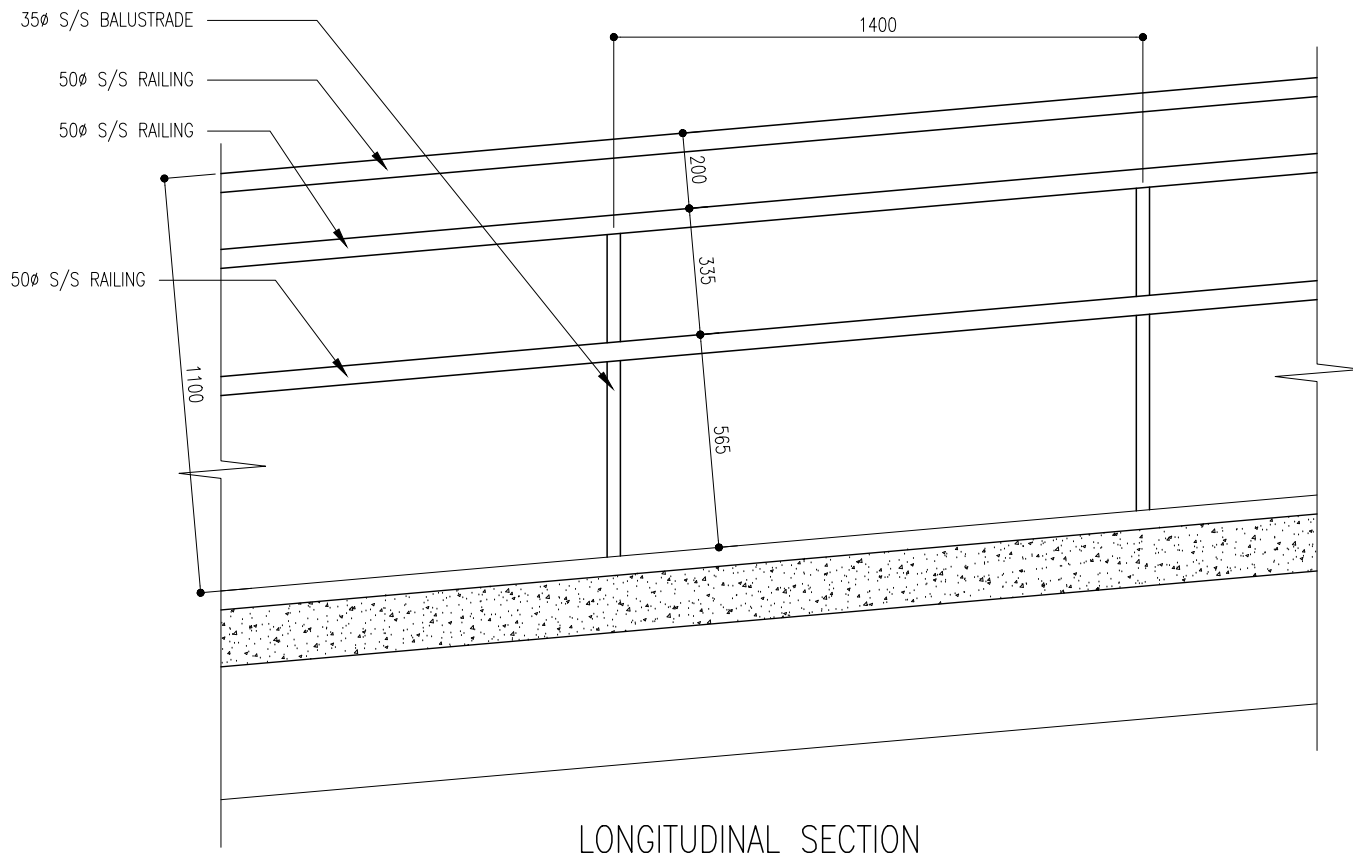
SYMBOL	AREA	DESCRIPTION	SYMBOL	AREA	DESCRIPTION	SYMBOL	AREA	DESCRIPTION
FG4	TOTAL = 01 nos.		W4	TOTAL = 01 nos.		W5	TOTAL = 01 nos.	
				G.A. = 1.58 m ²			G.A. = 1.58 m ²	



LOCATION	WORK SPACE	MEETING ROOM	OFFICE
QUANTITY	01	01	01
DOOR FRAME	FRAME LESS	FRAME LESS	FRAME LESS
DOOR PANEL	6MM FLOAT GLASS	6MM FLOAT GLASS	6MM FLOAT GLASS
LOCK/HINGES			
FINISHES	WHITE FINISH	WHITE FINISH	WHITE FINISH
REMARKS	TINTED BLACK GLASS	TINTED BLACK GLASS	TINTED BLACK GLASS

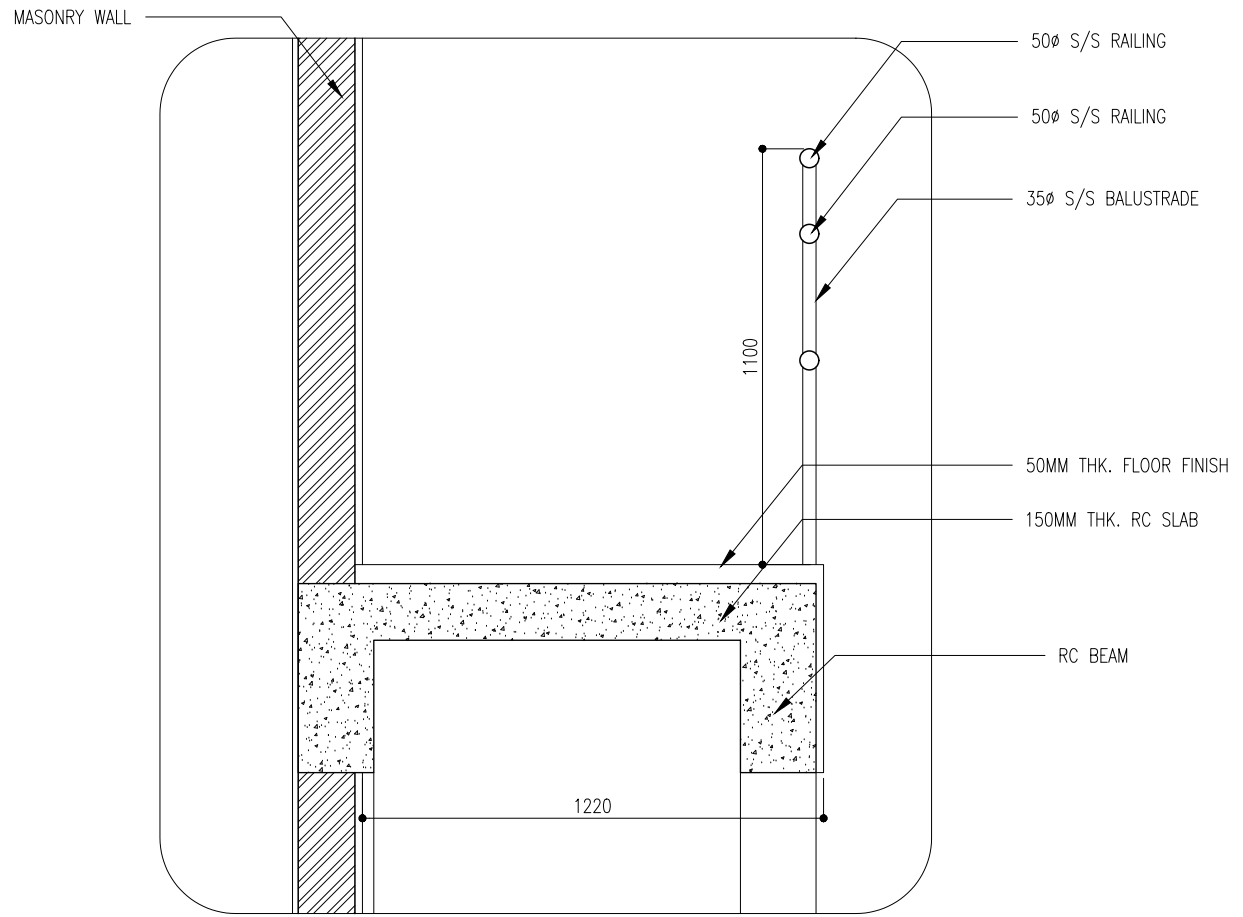
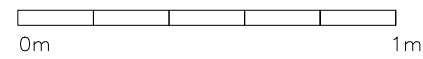
DOOR & WINDOW SCHEDULE E
SCALE 1:50





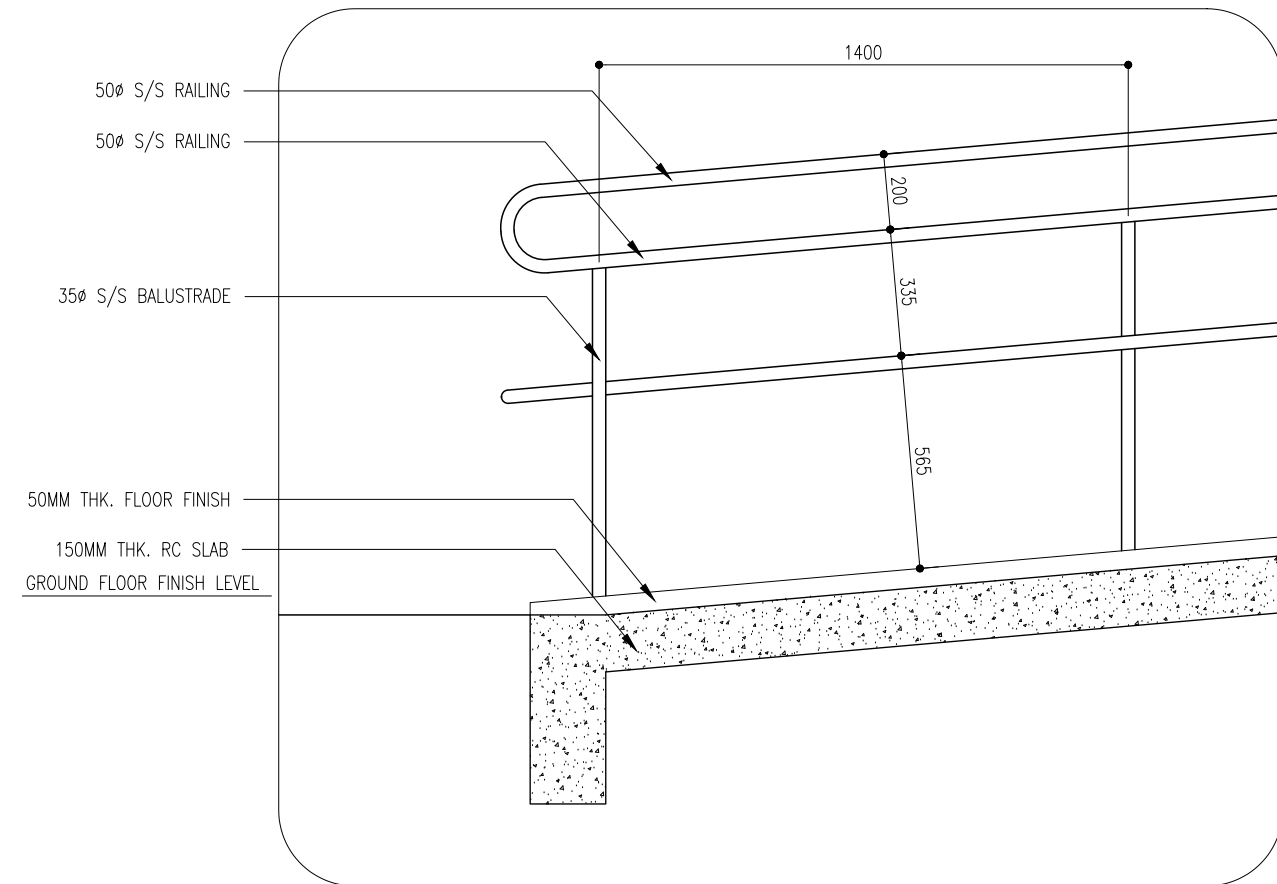
LONGITUDINAL SECTION

SCALE 1:20



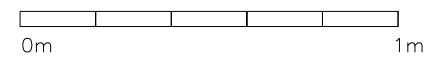
CROSS SECTION

SCALE 1:20

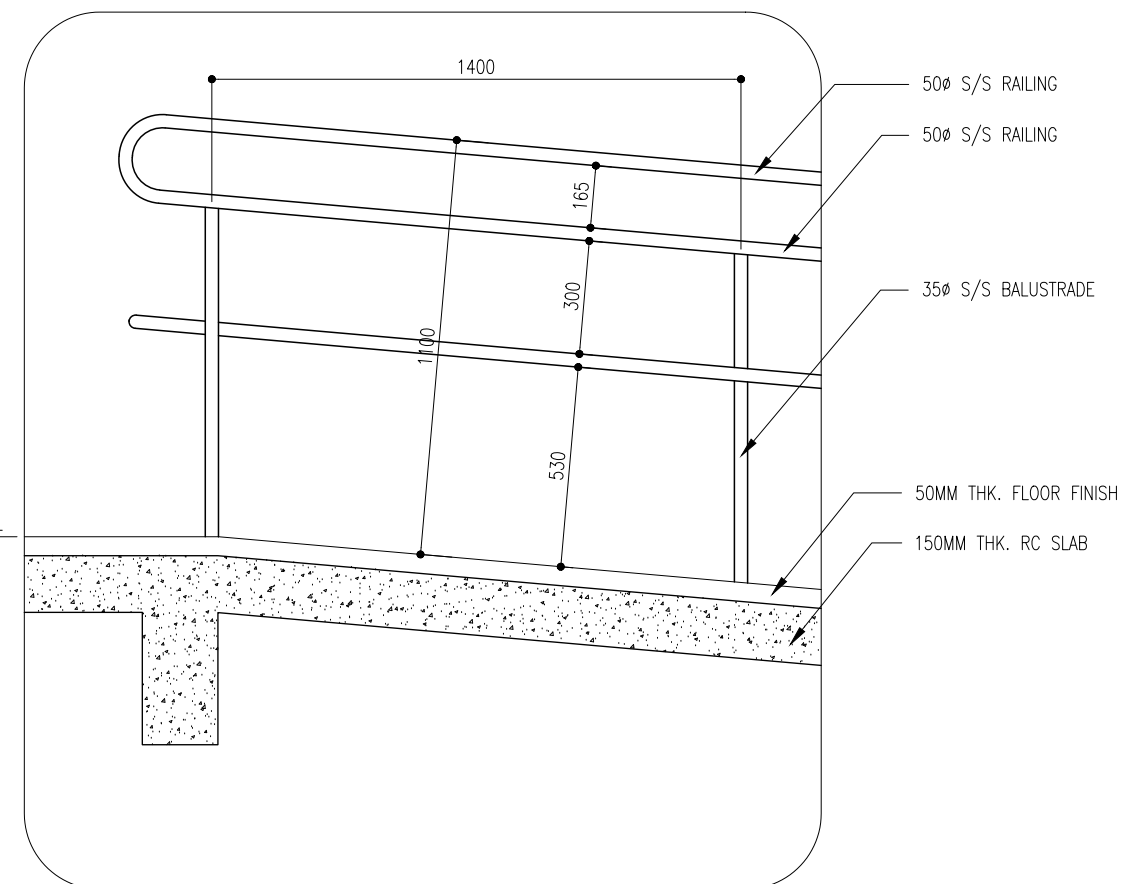


RAMP STARTING SECTION

SCALE 1:20

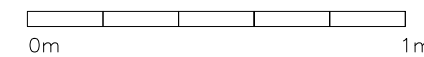


● SECOND FLOOR FINISH LEVEL



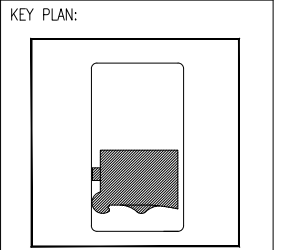
RAMP ENDING SECTION

SCALE 1:20



CLIENT:
ALI RIZA
(MINISTRY OF HEALTH)

DESIGN AND CONSULTANCY:
SIARCH
PRIVATE LIMITED
LONUZUARAAY MAGU, MALE', 20075, MALDIVES
EMAIL: INFO@SIARCH.DESIGN
HTTP://WWW.SIARCH.DESIGN



WARNING:

- This drawing shall not be used for construction unless certified.
- Contractor to verify all dimensions of existing works on site before commencing any work or preparing shop drawings.
- Do not scale drawings, use written dimensions only.
- This drawing is to be read in conjunction with the specifications and conditions of contract.
- This drawing and design is copyright and no portion may be reproduced without the permission of the Consultant

REVISIONS		
NO	DESCRIPTION	DATE

PROJECT:
PROPOSED YOUTH CENTER
(3500SQF)

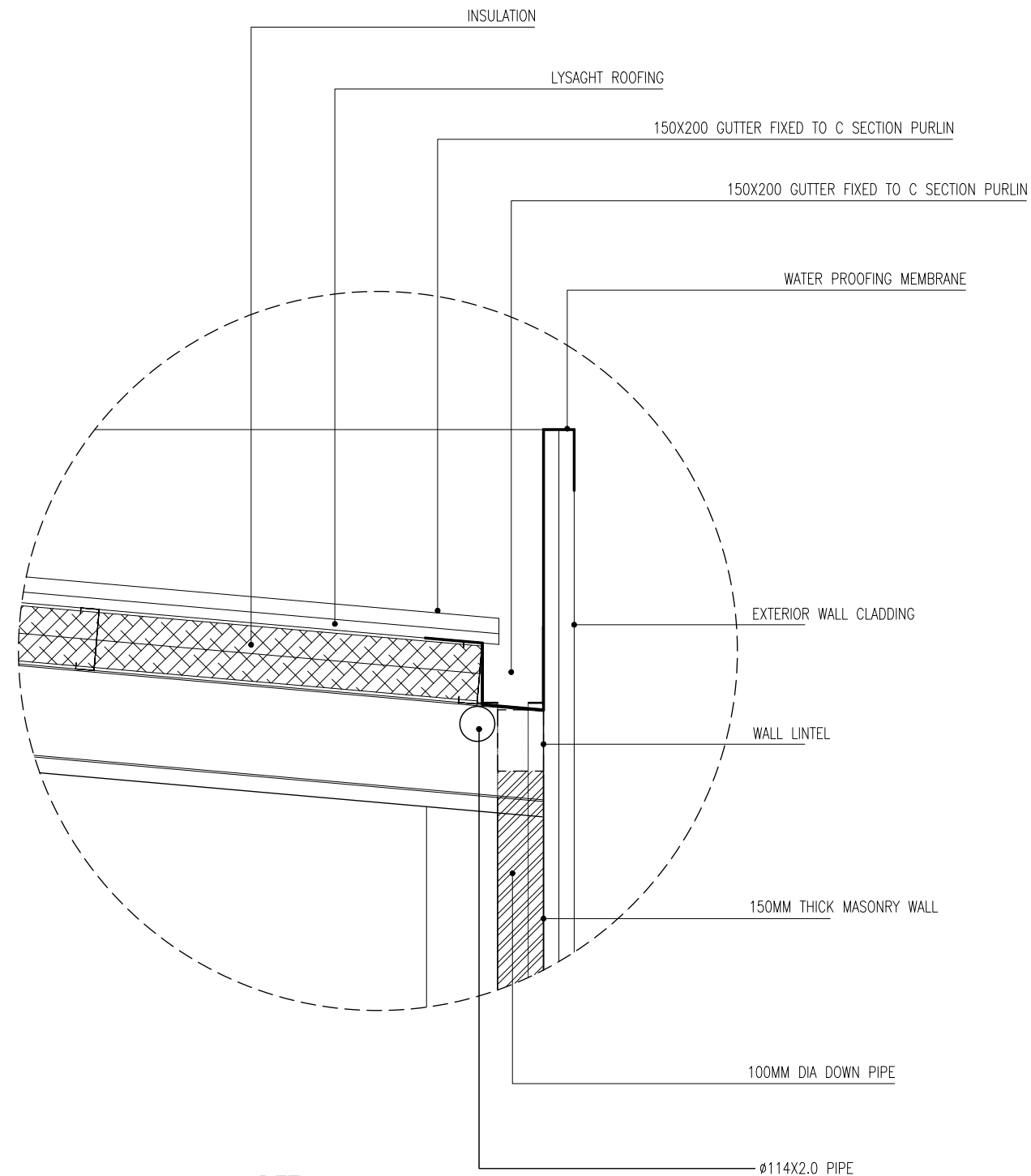
PHASE:
○ CONCEPT DESIGN
● DESIGN DEVELOPMENT
○ TENDER DOCUMENT
○ FOR CONSTRUCTION
○ AS BUILD DRAWINGS

DESIGNATION	NAME	SIGNATURE
PROJECT MANAGER	SIARCH PVT LTD	
STR. ENGINEER	HUSSAIN SHIHAN	
ARCHITECT	MOHAMMED SHAMIN	
CHECKED	MOHAMMED SIRAJ	
DRAWN	YASHIKA	

DWG. NAME:
RAMP DETAILS

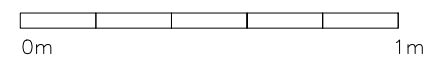
ARCHITECTURAL DETAILS

CODE	DATE	DWG. NO:
COM-20	28-02-21	AR12
FORMAT	A2 A3	
SCALE	- 1:50	ISSUE A
PDF FILE NAME: COM-20_1830_A		



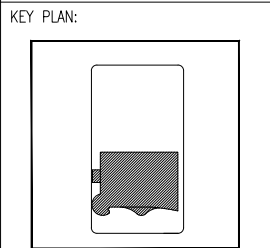
DETAIL 1

SCALE 1:20



CLIENT:
ALI RIZA
(MINISTRY OF HEALTH)

DESIGN AND CONSULTANCY:
SIARCH
PRIVATE LIMITED
LONUZYAARAY MAGU, MALE', 20075, MALDIVES
EMAIL: INFO@SIARCH.DESIGN
HTTP://WWW.SIARCH.DESIGN



- WARNING:
- This drawing shall not be used for construction unless certified.
 - Contractor to verify all dimensions of existing works on site before commencing any work or preparing shop drawings.
 - Do not scale drawings, use written dimensions only.
 - This drawing is to be read in conjunction with the specifications and conditions of contract.
 - This drawing and design is copyright and no portion may be reproduced without the permission of the Consultant

REVISIONS

NO	DESCRIPTION	DATE

PROJECT:
PROPOSED YOUTH CENTER
(3500SQF)

- PHASE:
- CONCEPT DESIGN
 - DESIGN DEVELOPMENT
 - TENDER DOCUMENT
 - FOR CONSTRUCTION
 - AS BUILD DRAWINGS

DESIGNATION	NAME	SIGNATURE
PROJECT MANAGER	SIARCH PVT LTD	
STR. ENGINEER	HUSSAIN SHIHAN	
ARCHITECT	MOHAMMED SHAMIN	
CHECKED	MOHAMED SIRAJ	
DRAWN	YASHIKA	

DWG. NAME:
GUTTER DETAIL

ARCHITECTURAL DETAILS

CODE	DATE	DWG. NO:
COM-20	28-02-21	AR12
FORMAT	A2 A3	
SCALE	- - 150	ISSUE A
PDF FILE NAME: COM-20_1830_A		