

73000 [239'-6"]

36500 [119'-9"]

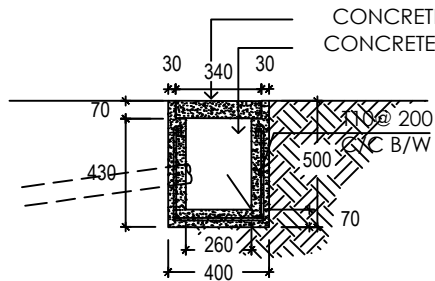
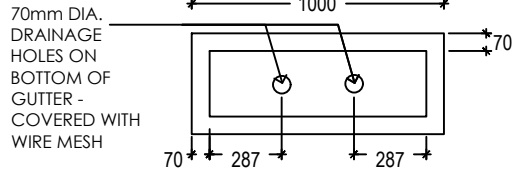
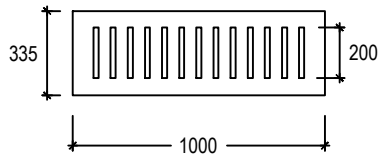
SLOPE 0.5%

SLOPE 0.5%

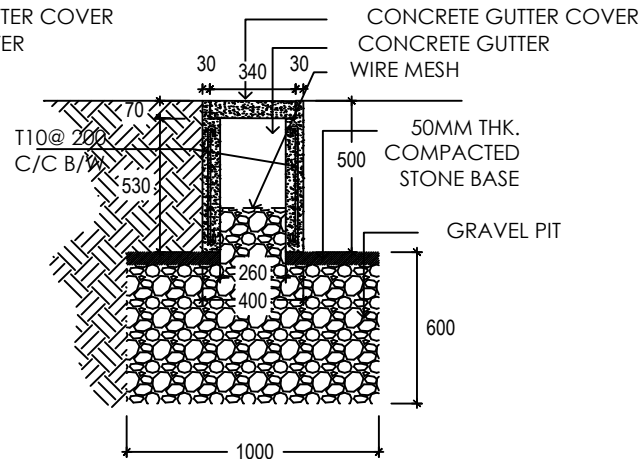
DETAIL 01

DETAIL 02

○ CONCRETE GUTTER TOP
FABRICATED WITH MASS CONCRETE



CONCRETE GUTTER COVER
CONCRETE GUTTER



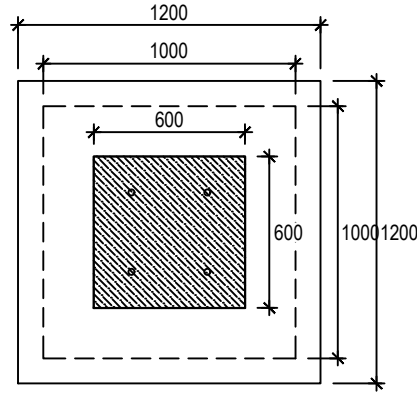
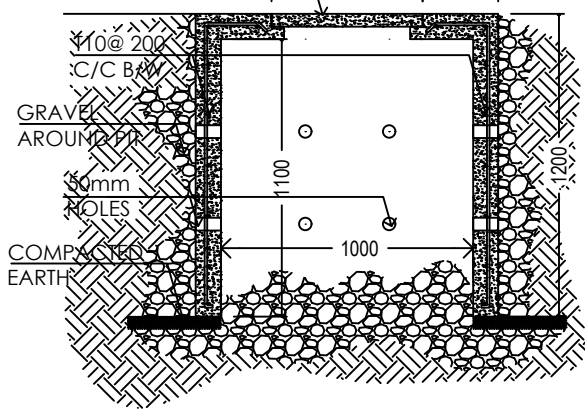
CONCRETE GUTTER COVER
CONCRETE GUTTER
WIRE MESH

50MM THK.
COMPACTED
STONE BASE

GRAVEL PIT

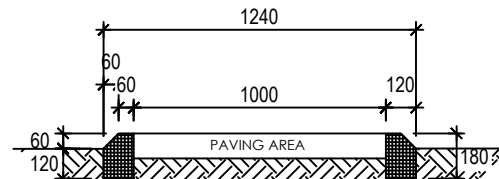
○ CONCRETE GUTTER
SECTION DETAIL

600X600 MANHOLE COVER



○ CONCRETE SOAK PIT/WELL
SECTION DETAIL

○ DRAINAGE OPTION 2
WHERE SOAK PIT AREA IS UNAVAILABLE



○ CURB STONE AND PAVING AREA
SECTION DETAIL

CLIENT:
MINISTRY OF YOUTH AND SPORTS

PROJECT:

AT FULL PITCH

DRAWN BY:
MS

SCALE:
AS GIVEN

DATE:
NOV 2019

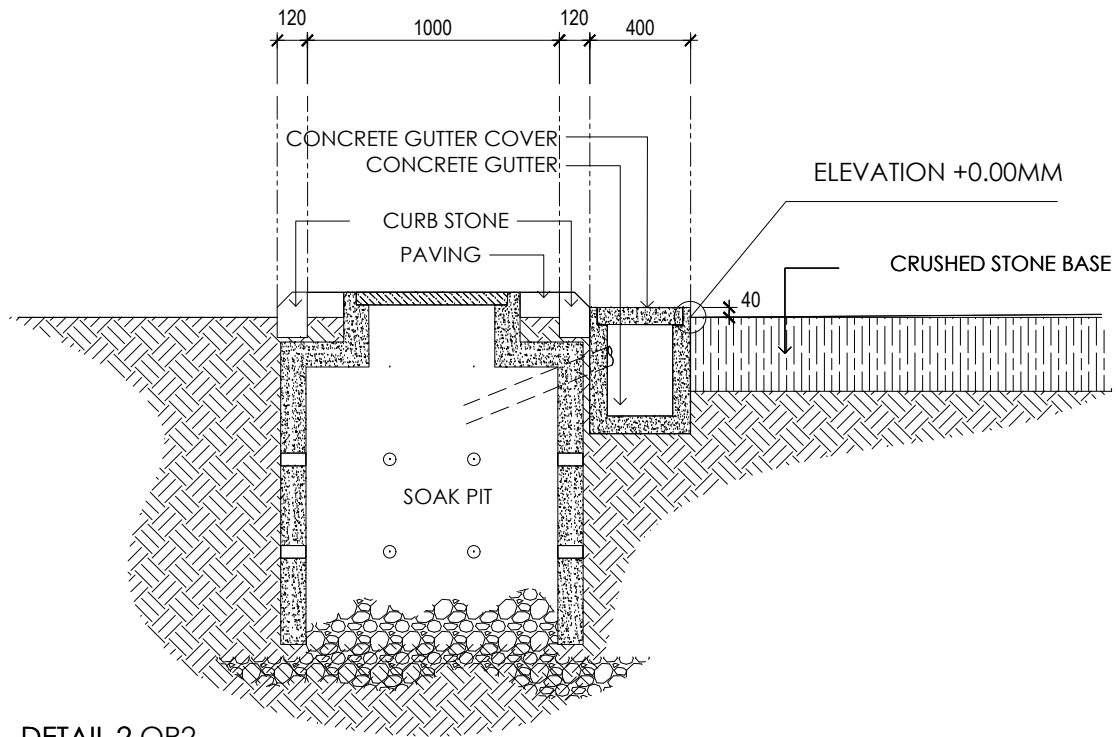
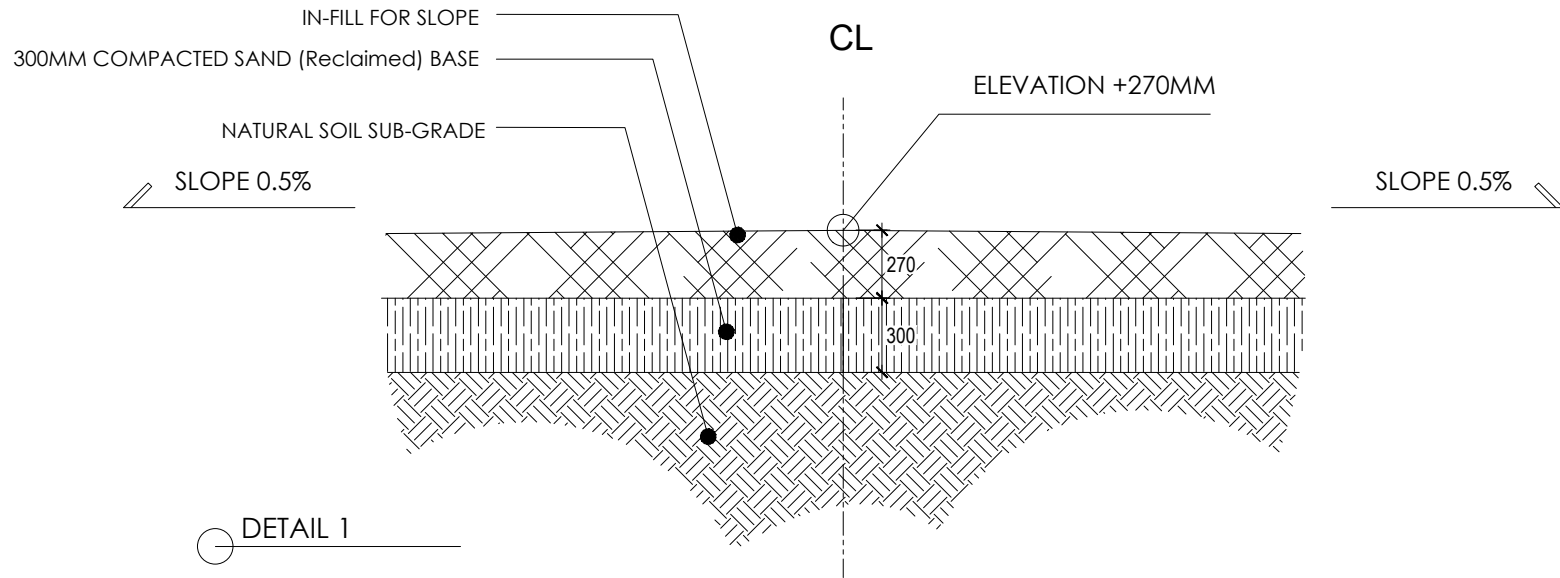
PAGE NO.:
01 / 01

COMMENTS :

DO NOT MEASURE FROM THE DRAWING. FOLLOW DIMENSIONS GIVEN.



WOOD STUDIO



CLIENT:
MINISTRY OF YOUTH AND SPORTS

PROJECT:

AT FULL PITCH

DRAWN BY:
MS

SCALE:
AS GIVEN

DATE:
NOV 2019

PAGE NO.:
01 / 01

COMMENTS:

DO NOT MEASURE FROM THE DRAWING. FOLLOW DIMENSIONS GIVEN.

