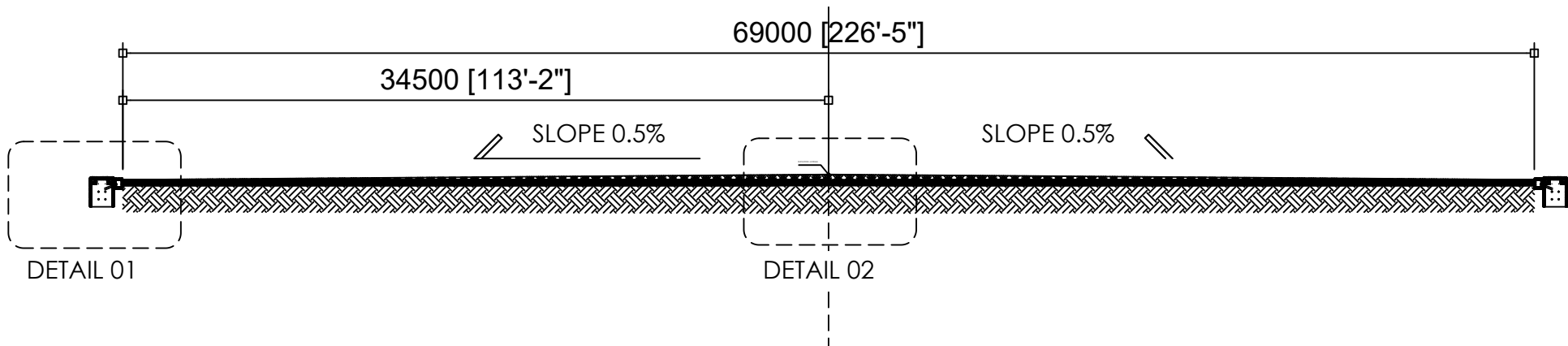


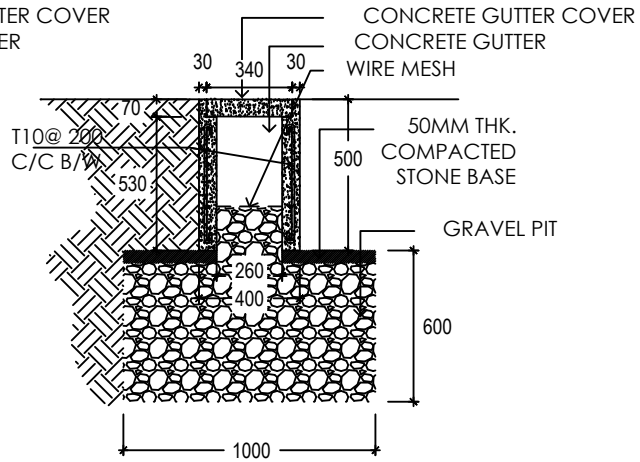
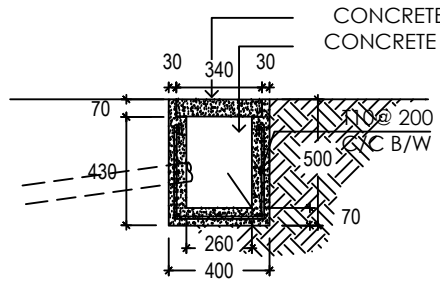
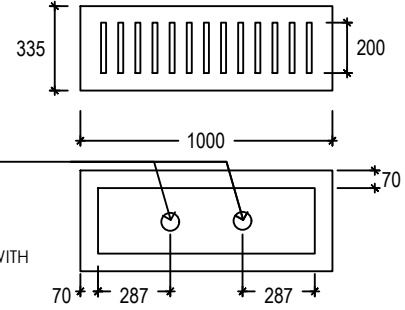
○ STANDARD ARTIFICIAL TURF FULL PITCH PLAN

CLIENT: MINISTRY OF YOUTH AND SPORTS	DRAWN BY:	SCALE: 1:500
COMMENTS:	NOV 2019	PAGE NO.: 01 / 01
DO NOT MEASURE FROM THE DRAWING. FOLLOW DIMENSIONS GIVEN.		

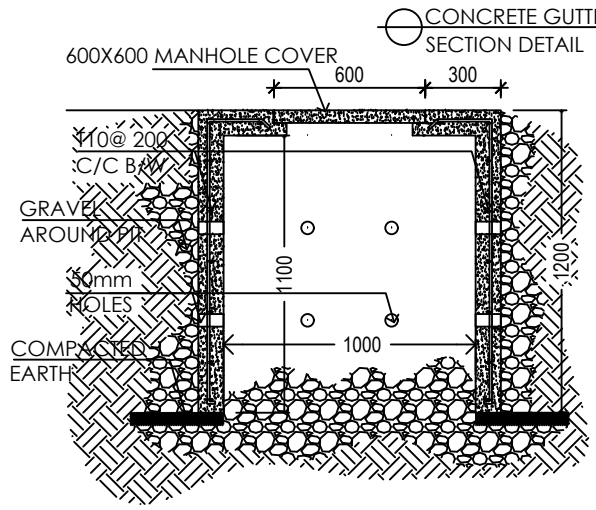




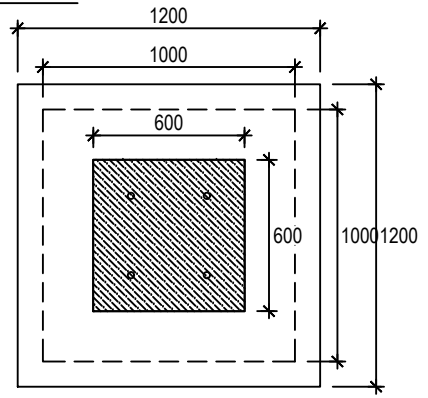
CONCRETE GUTTER TOP
FABRICATED WITH MASS CONCRETE



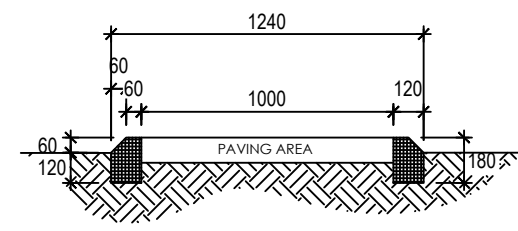
CONCRETE GUTTER
SECTION DETAIL



CONCRETE SOAK PIT/WELL
SECTION DETAIL



DRAINAGE OPTION 2
WHERE SOAK PIT AREA IS UNAVAILABLE



CURB STONE AND PAVING AREA
SECTION DETAIL

CLIENT:
MINISTRY OF YOUTH AND SPORTS

PROJECT:

AT FULL PITCH

DRAWN BY:
MS

SCALE:
AS GIVEN

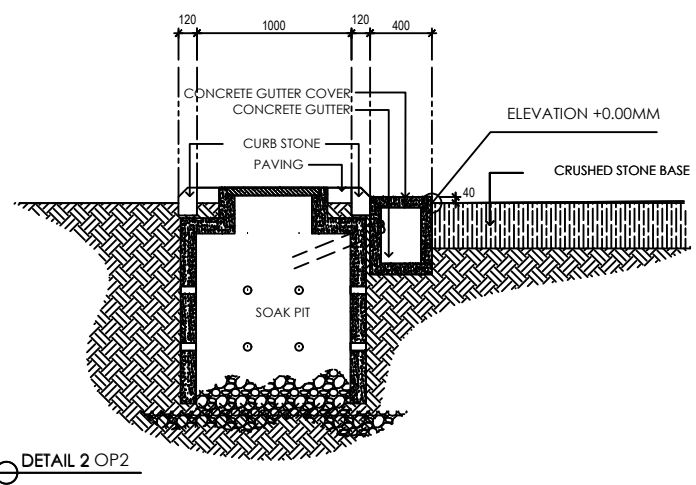
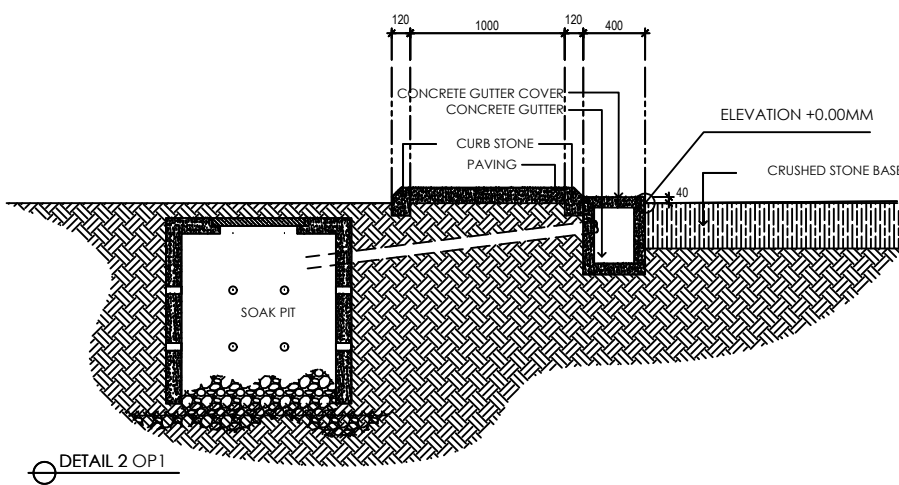
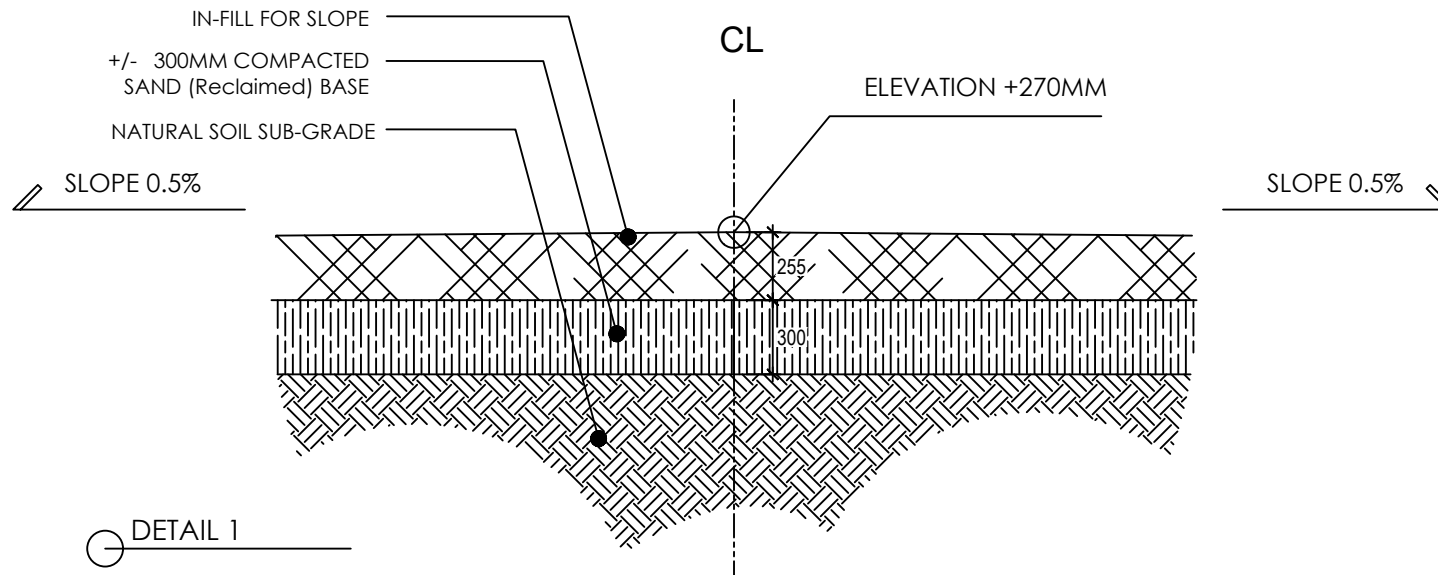
DATE:
NOV 2019

PAGE NO.:
01 / 01

COMMENTS:

DO NOT MEASURE FROM THE DRAWING. FOLLOW DIMENSIONS GIVEN.





CLIENT:
MINISTRY OF YOUTH AND SPORTS

PROJECT:
AT FULL PITCH

DRAWN BY: MS	SCALE: AS GIVEN
DATE: NOV 2019	PAGE NO.: 01 / 01

COMMENTS:

DO NOT MEASURE FROM THE DRAWING. FOLLOW DIMENSIONS GIVEN.

