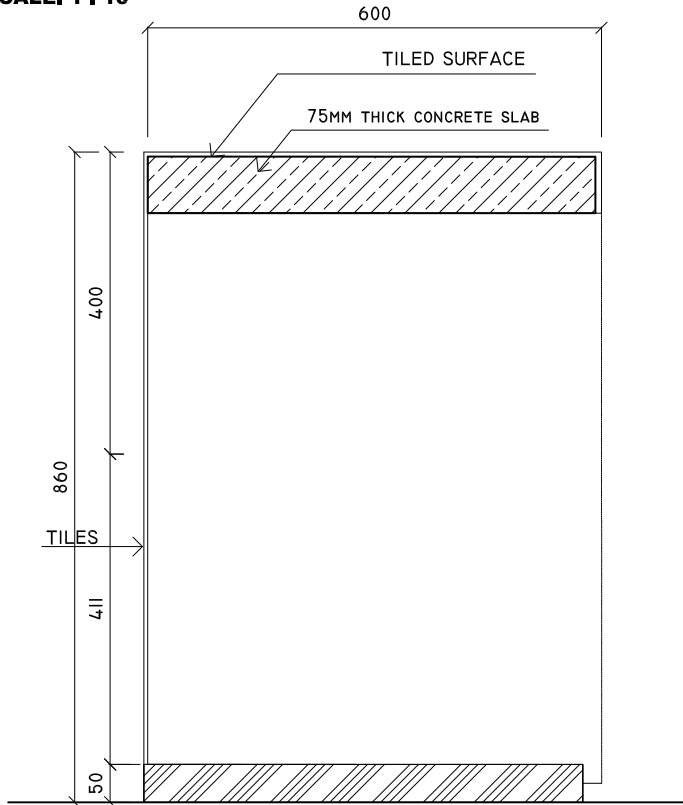


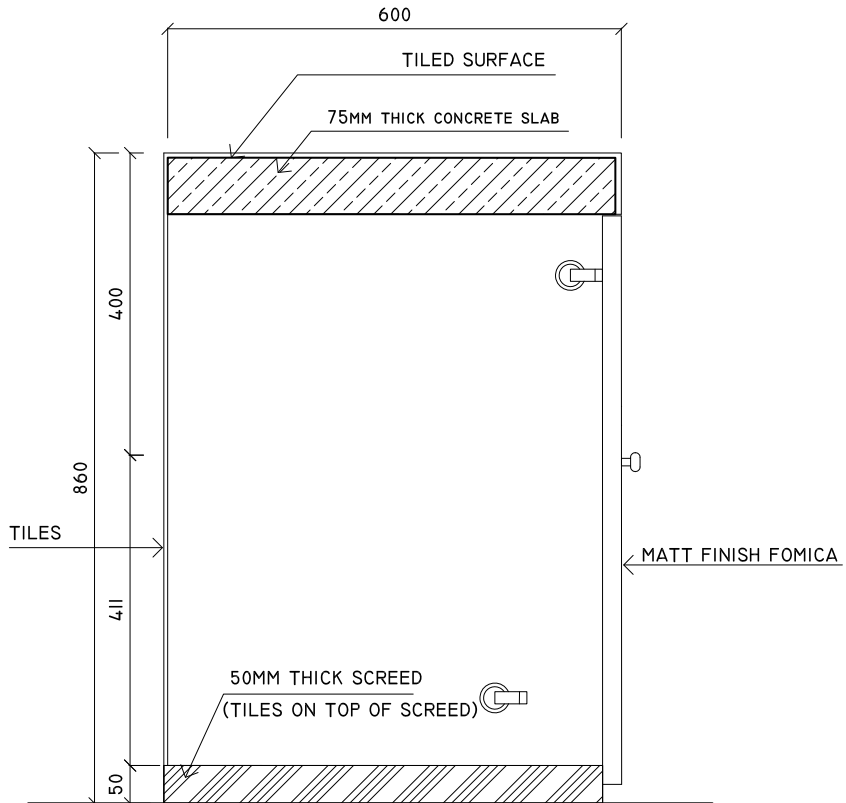
# LAB CUPBOARD DETAIL B-B

SCALE: 1 : 10



# LAB CUPBOARD DETAIL B-B

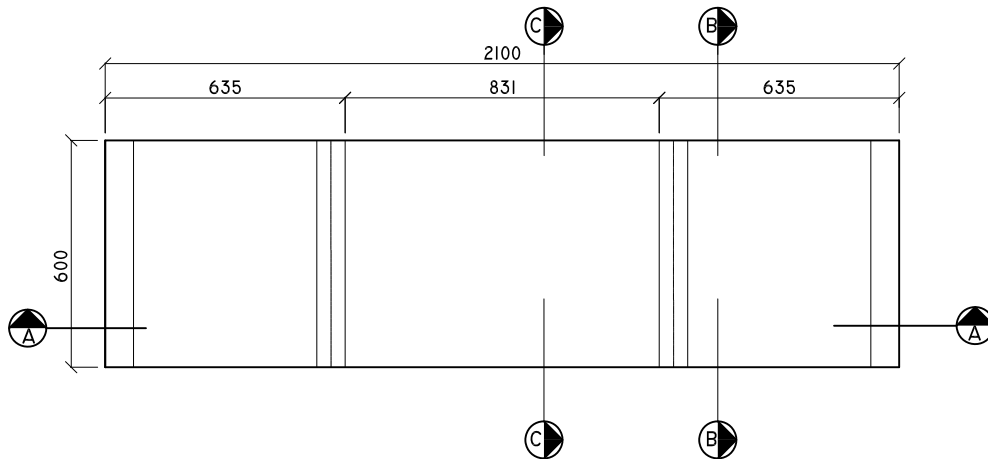
SCALE: 1 : 10



NOTE: PLEASE CHECK ALL MESUREMENTS ON SITE BEFORE CARRYING OUT WORK

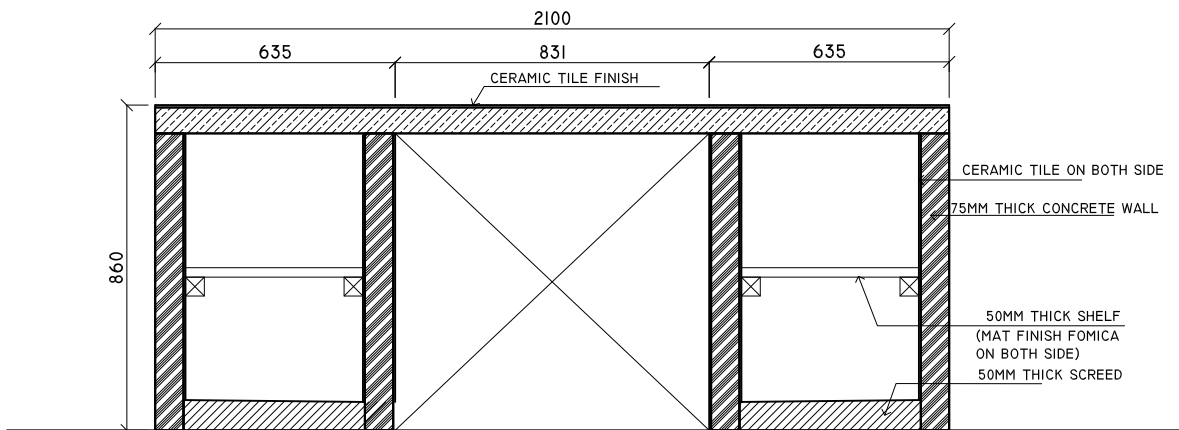
# LAB CUPBOARD PLAN

SCALE: 1 : 20



# LAB CUPBOARD SECTION A-A

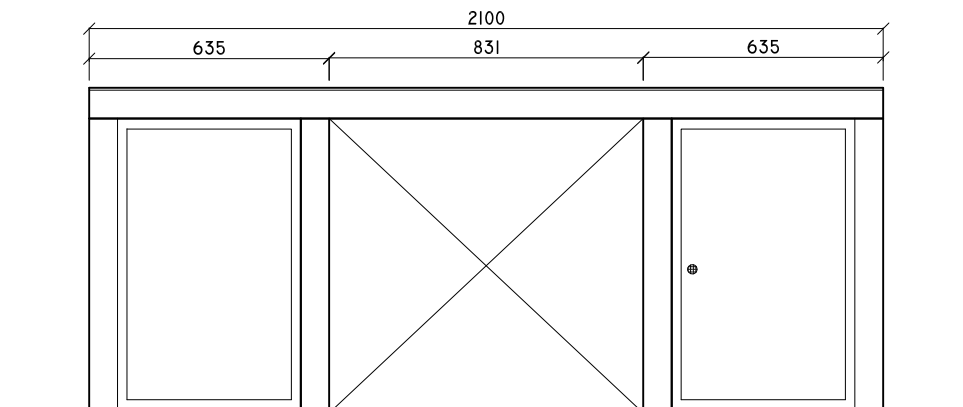
SCALE: 1 : 20



NOTE: PLEASE CHECK ALL MESUREMENTS ON SITE BEFOR CARRYING OUT WORK

# LAB CUPBOARD FRONT ELEVATION

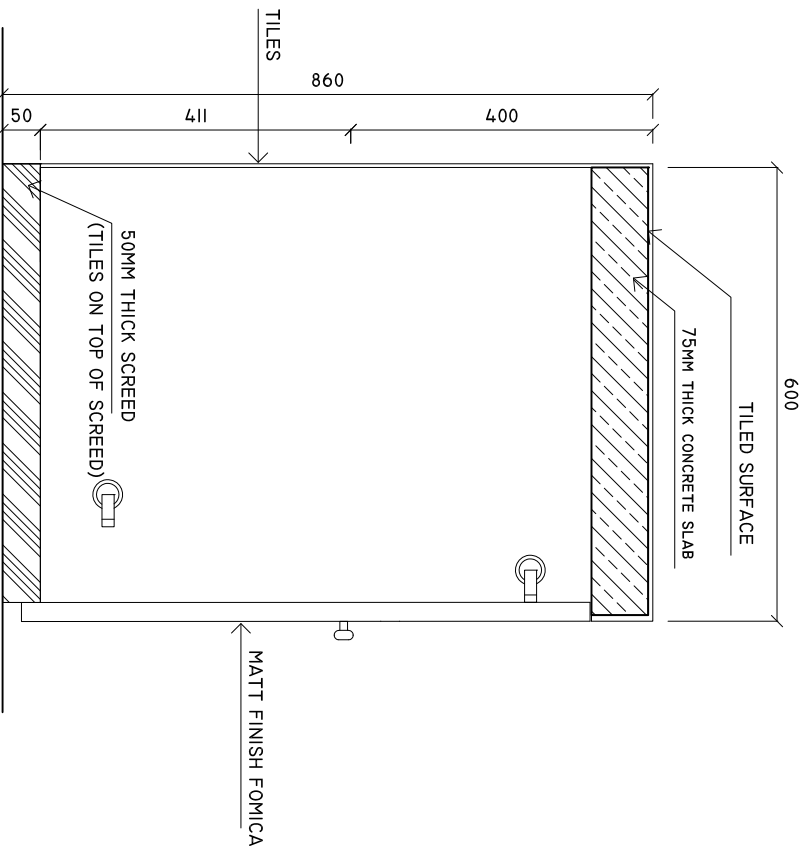
SCALE: 1 : 20



NOTE: PLEASE CHECK ALL MESUREMENTS ON SITE BEFOR CARRYING OUT WORK

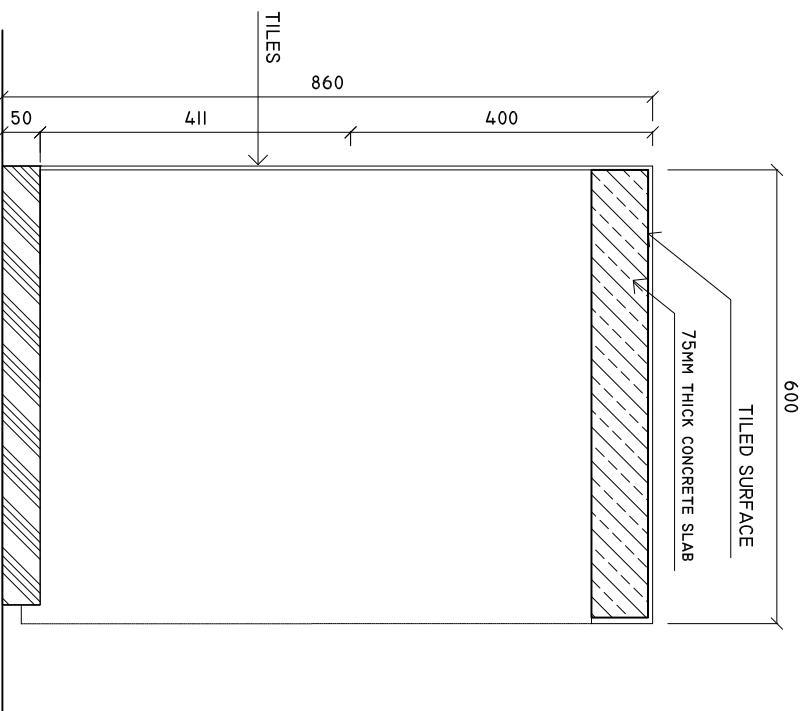
### **SINK CUPBOARD DETAIL B-B**

SCALE: 1 : 10



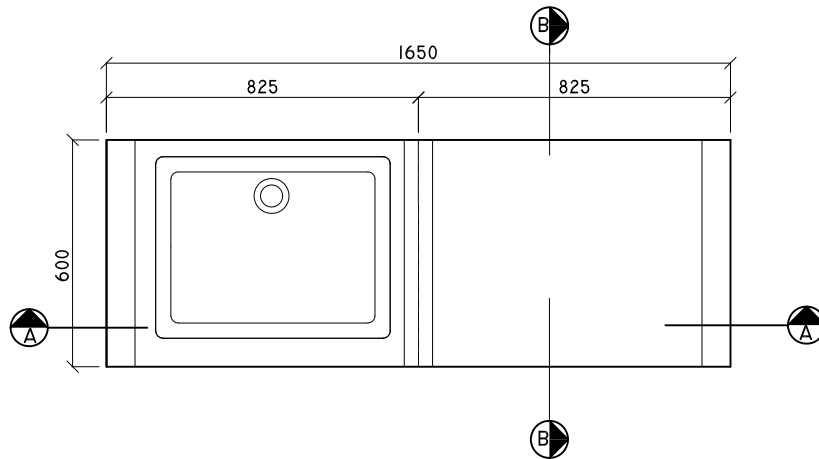
### **SNK CUPBOARD DETAIL B-B**

SCALE: 1 : 10



# **LAB SINK CUPBOARD PLAN**

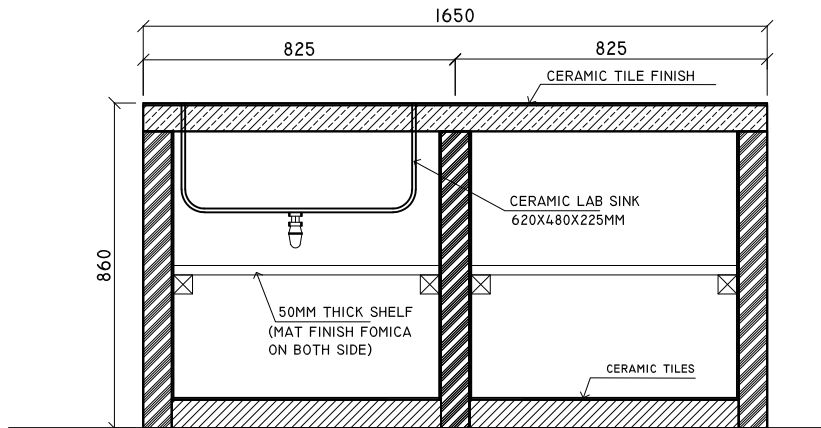
**SCALE: 1 : 20**



NOTE: PLEASE CHECK ALL MESUREMENTS ON SITE BEFOR CARRYING OUT WORK

# **LAB SINK CUPBOARD SECTION A-A**

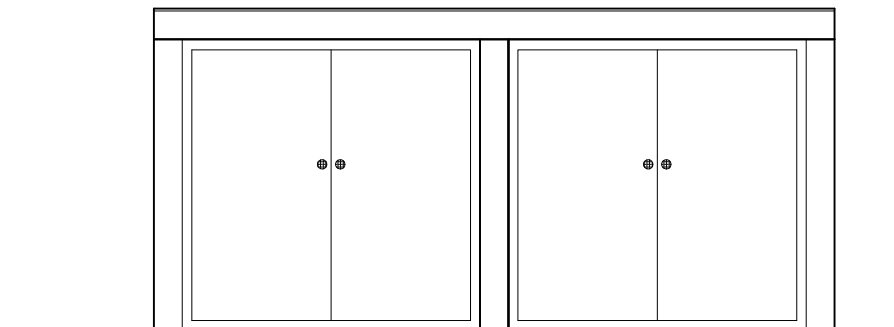
**SCALE: 1 : 20**



NOTE: PLEASE CHECK ALL MESUREMENTS ON SITE BEFOR CARRYING OUT WORK

# **LAB SINK CUPBOARD FRONT ELEVATION**

**SCALE: 1 : 20**



NOTE: PLEASE CHECK ALL MESUREMENTS ON SITE BEFOR CARRYING OUT WORK

# **PROPOSED LABORATORY FLOOR PLAN**

SCALE: 1 : 100

