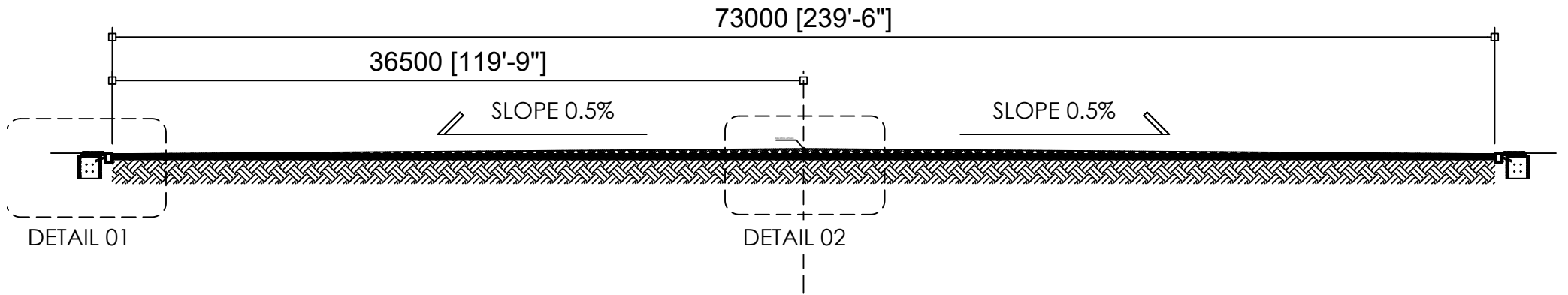


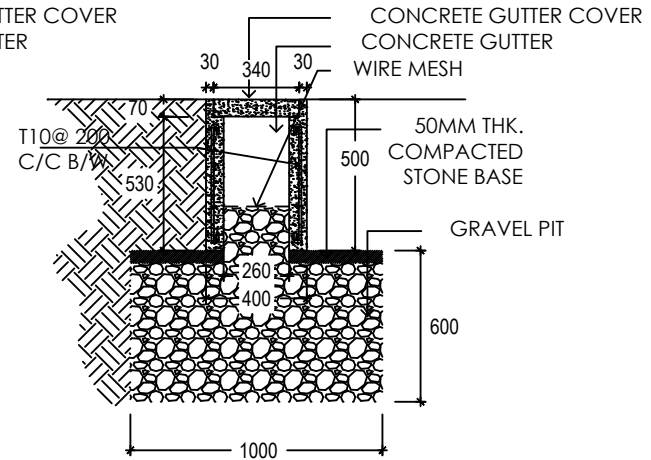
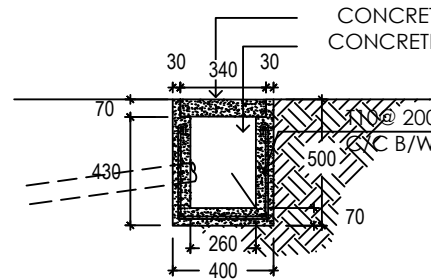
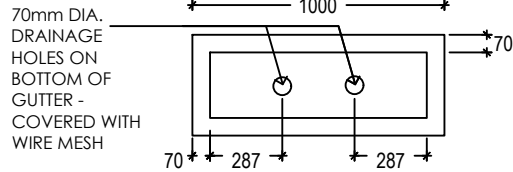
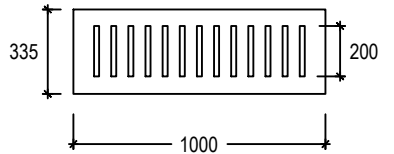
○ STANDARD ARTIFICIAL TURF FULL PITCH PLAN

CLIENT: MINISTRY OF YOUTH AND SPORTS	DRAWN BY:	SCALE: 1:500
COMMENTS:	NOV 2019	PAGE NO.: 01 / 01
DO NOT MEASURE FROM THE DRAWING. FOLLOW DIMENSIONS GIVEN.		

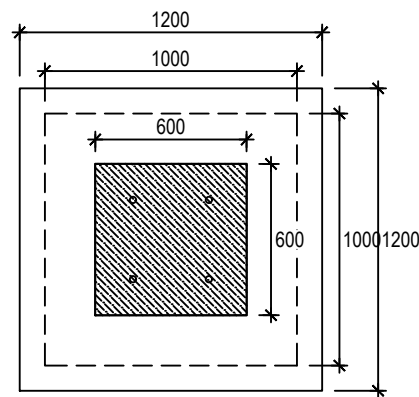
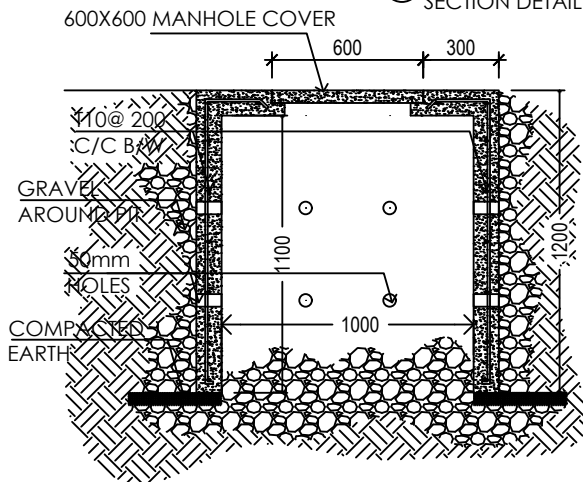




○ CONCRETE GUTTER TOP  
FABRICATED WITH MASS CONCRETE

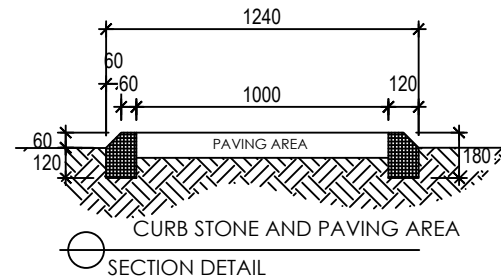


○ CONCRETE GUTTER SECTION DETAIL



○ CONCRETE SOAK PIT/WELL SECTION DETAIL

○ DRAINAGE OPTION 2  
WHERE SOAK PIT AREA IS UNAVAILABLE



CLIENT:  
MINISTRY OF YOUTH AND SPORTS

PROJECT:

AT FULL PITCH

DRAWN BY:  
MS

SCALE:  
AS GIVEN

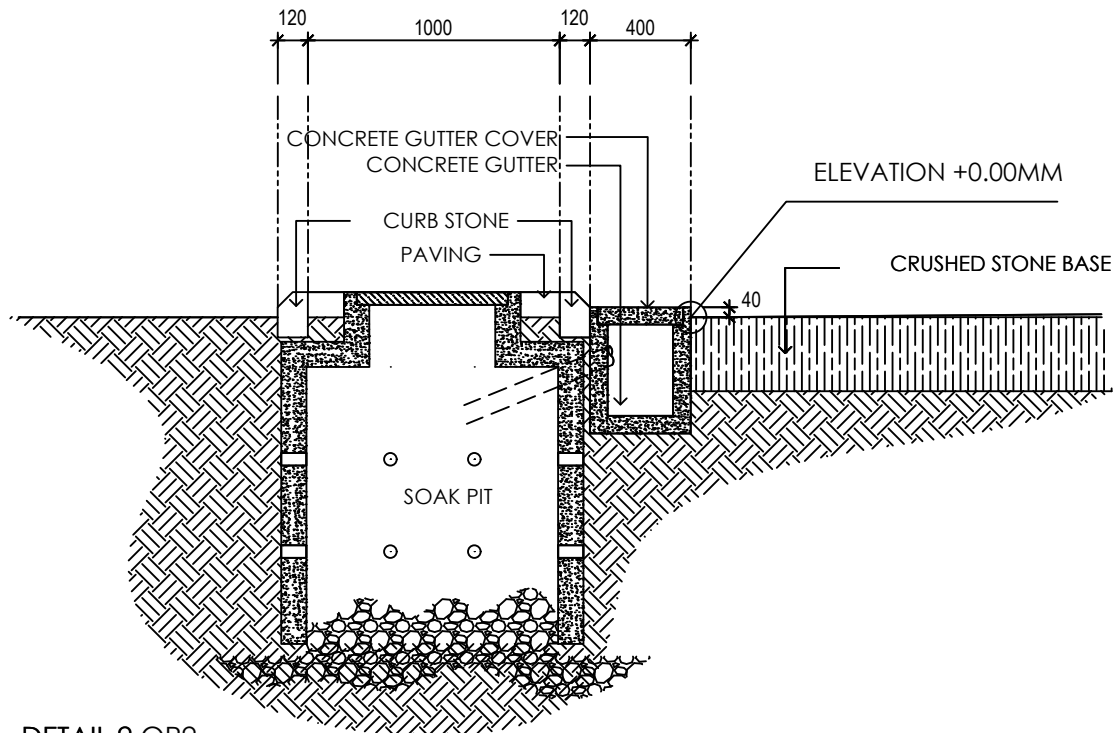
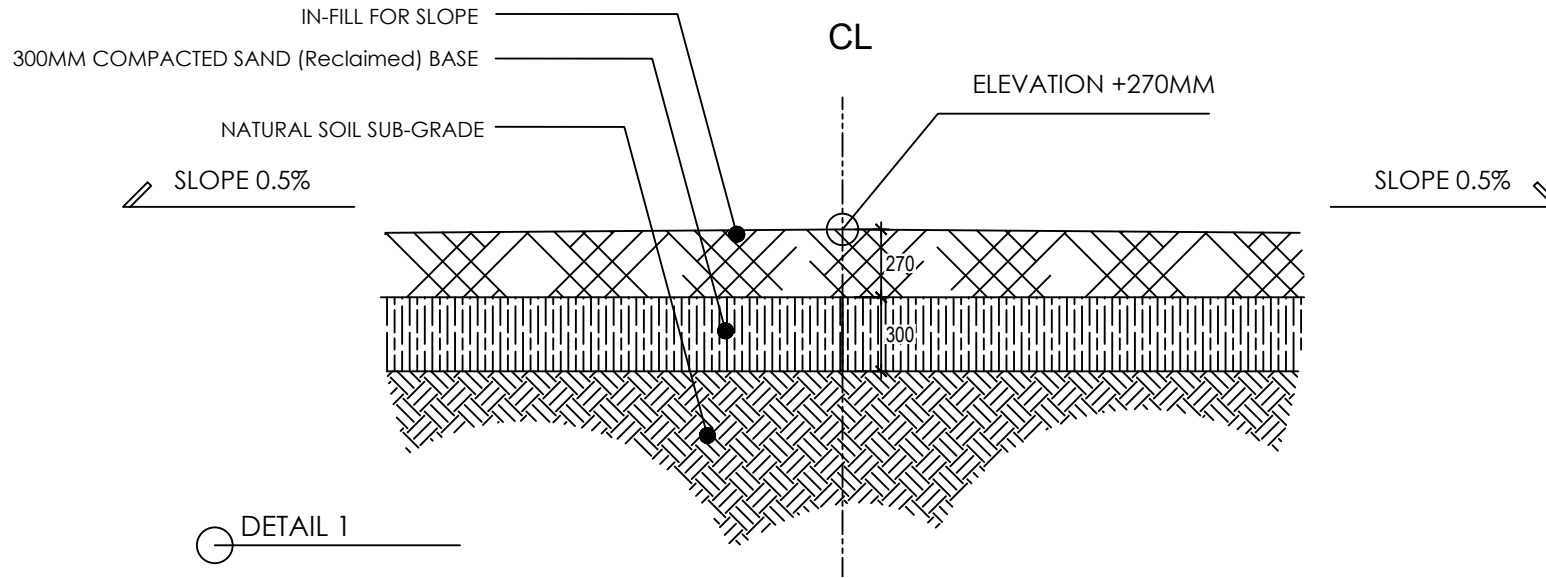
DATE:  
NOV 2019

PAGE NO.:  
01 / 01

COMMENTS:

DO NOT MEASURE FROM THE DRAWING. FOLLOW DIMENSIONS GIVEN.





CLIENT:  
MINISTRY OF YOUTH AND SPORTS

PROJECT:

AT FULL PITCH

DRAWN BY: MS	SCALE: AS GIVEN
DATE: NOV 2019	PAGE NO.: 01 / 01

COMMENTS:

\_\_\_\_\_

\_\_\_\_\_

\_\_\_\_\_

DO NOT MEASURE FROM THE DRAWING. FOLLOW DIMENSIONS GIVEN.

