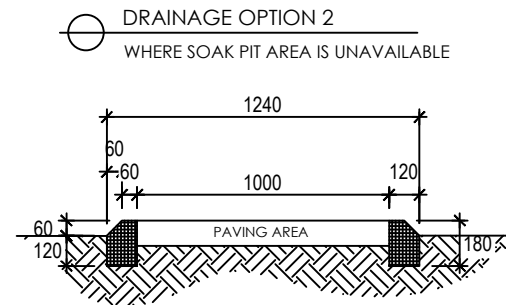
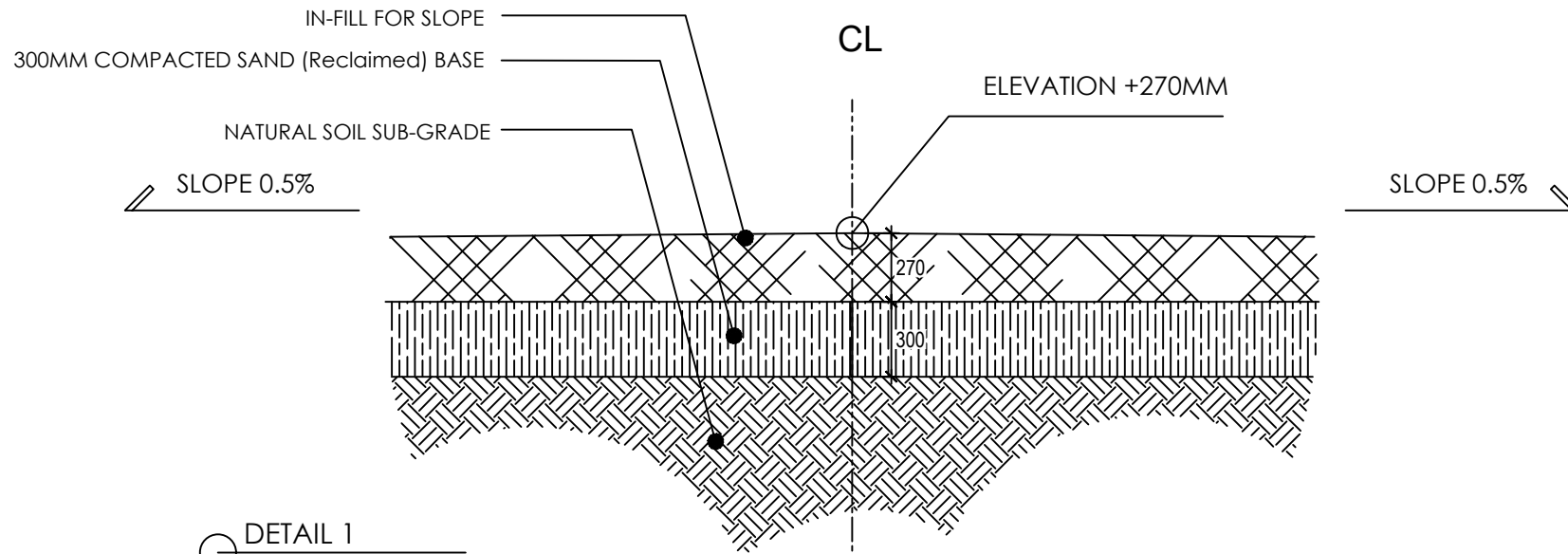


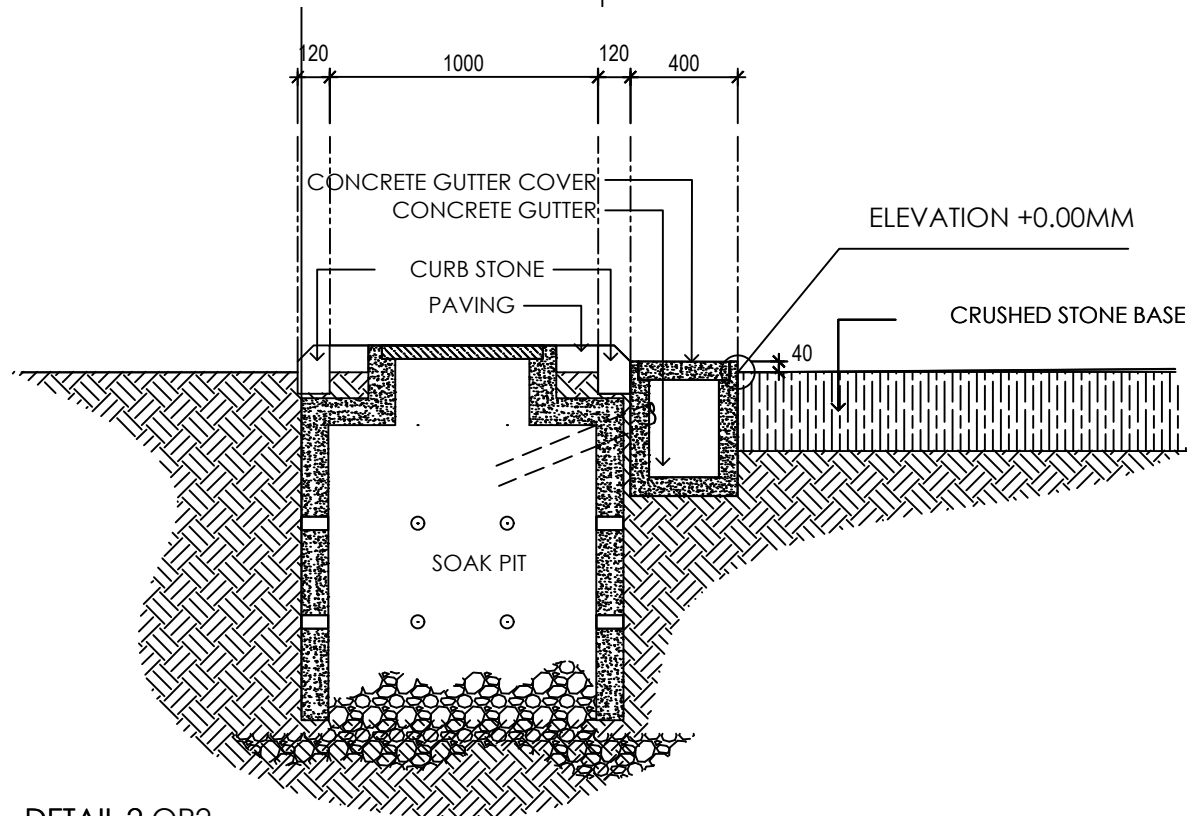
○ CONCRETE SOAK PIT/WELL  
SECTION DETAIL



○ CURB STONE AND PAVING AREA  
SECTION DETAIL



○ DETAIL 1



○ DETAIL 2 OP2