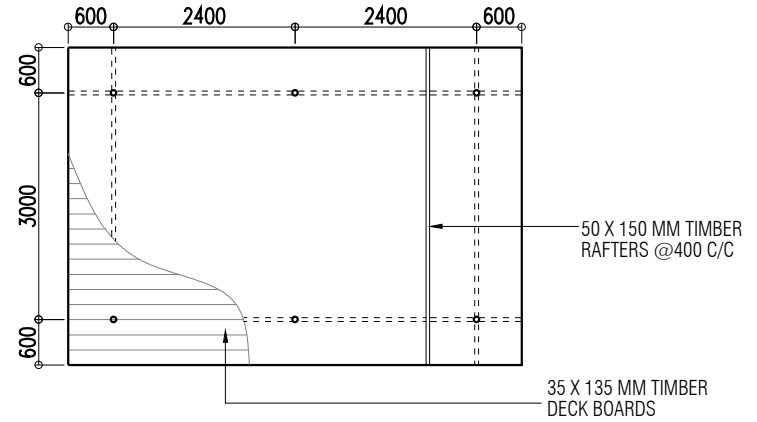
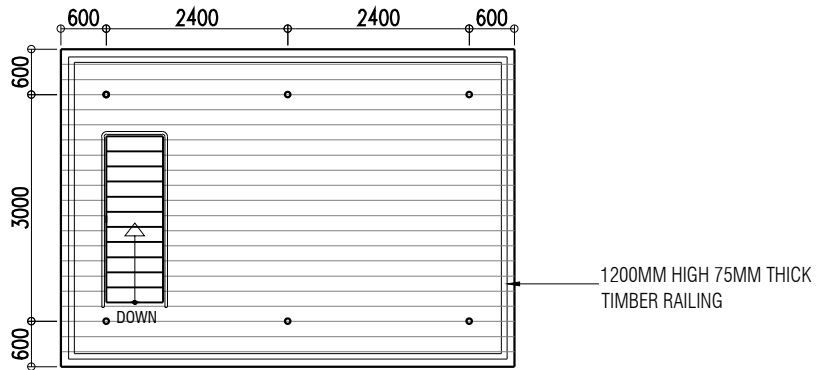


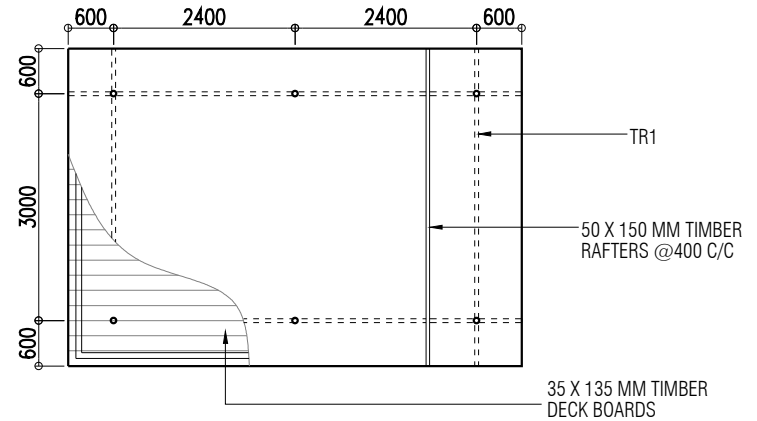
GROUND FLOOR PLAN
SCALE - 1:100



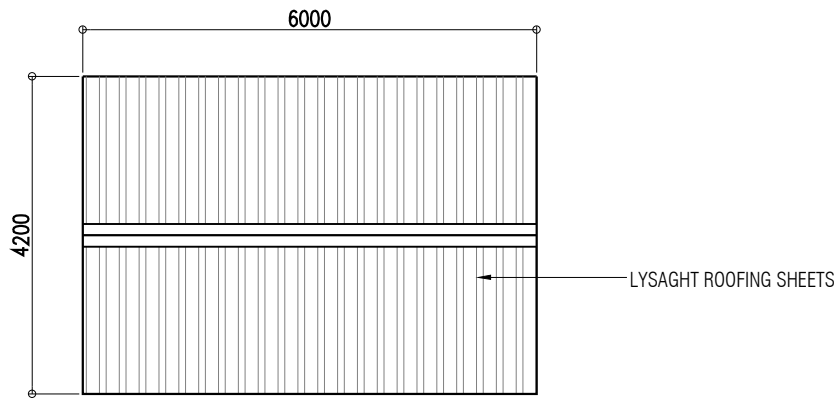
GROUND FLOOR DECK PLAN
SCALE - 1:100



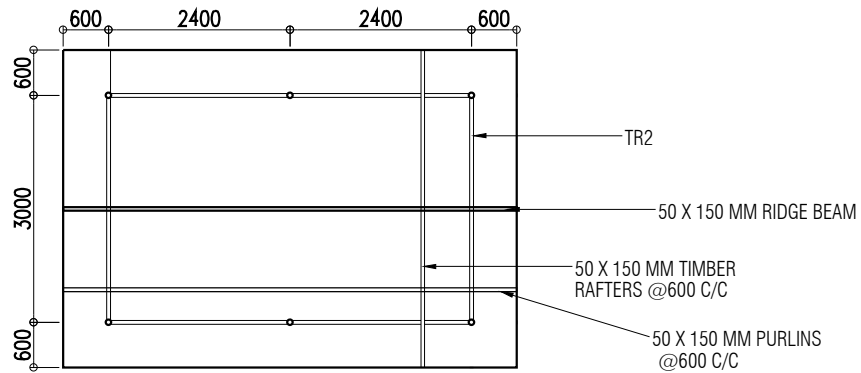
FIRST FLOOR PLAN
SCALE - 1:100



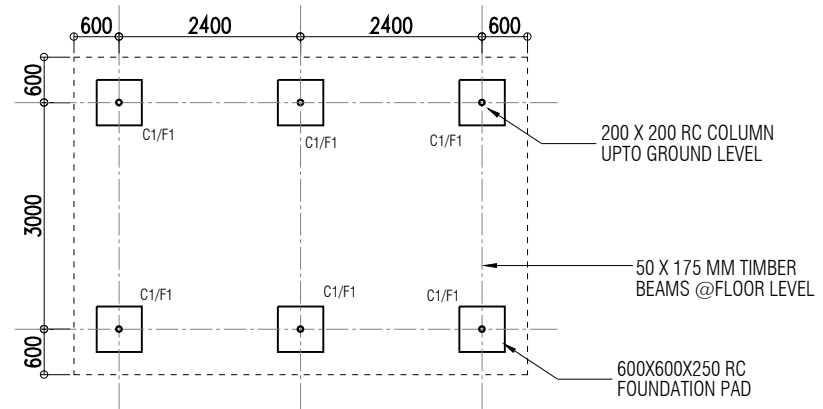
FIRST FLOOR DECK PLAN
SCALE - 1:100



ROOF PLAN
SCALE - 1:100

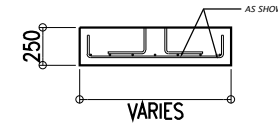


ROOF TRUSS PLAN
SCALE - 1:100

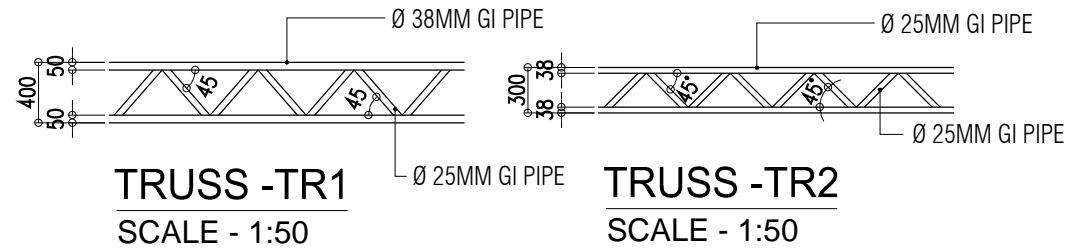


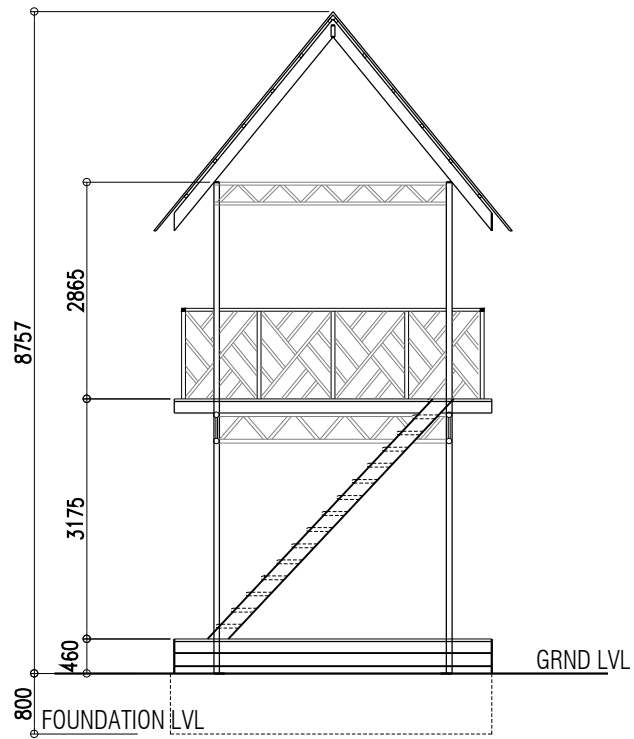
COLUMN & FOUNDATION PLAN
SCALE - 1:100

F1 - 600 X 600 X 250MM
T10@150C/C, BW

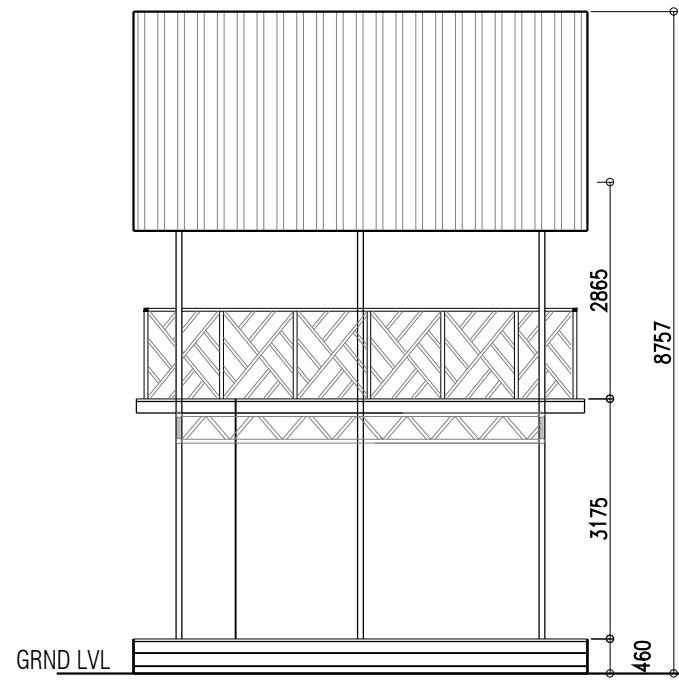


FOUNDATION DETAILS

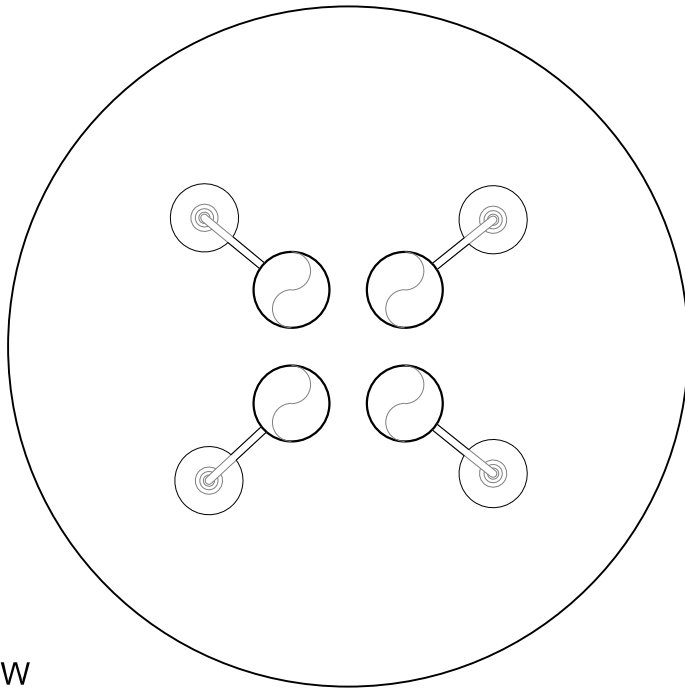




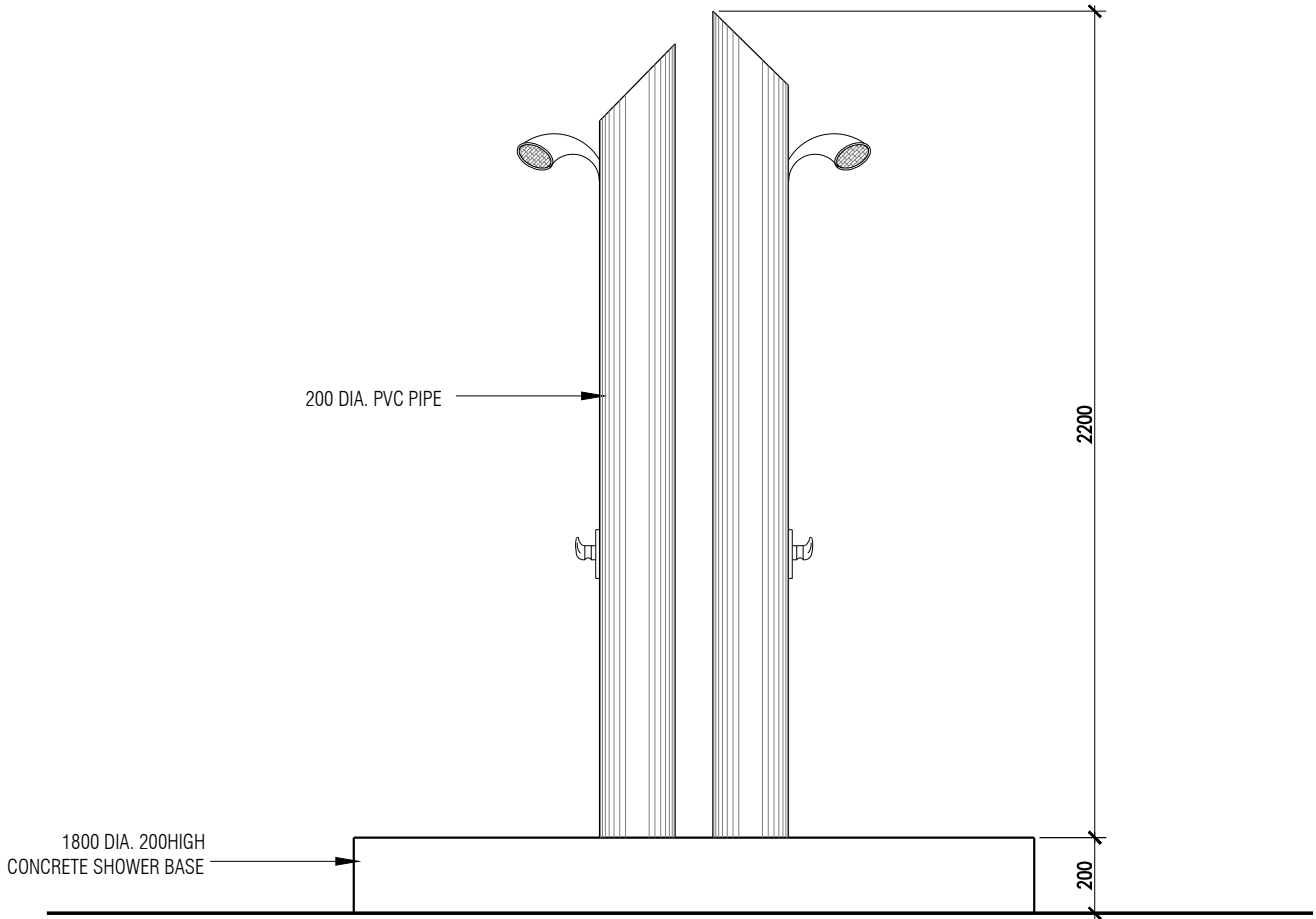
SECTION
SCALE - 1:100



ELEVATION
SCALE - 1:100

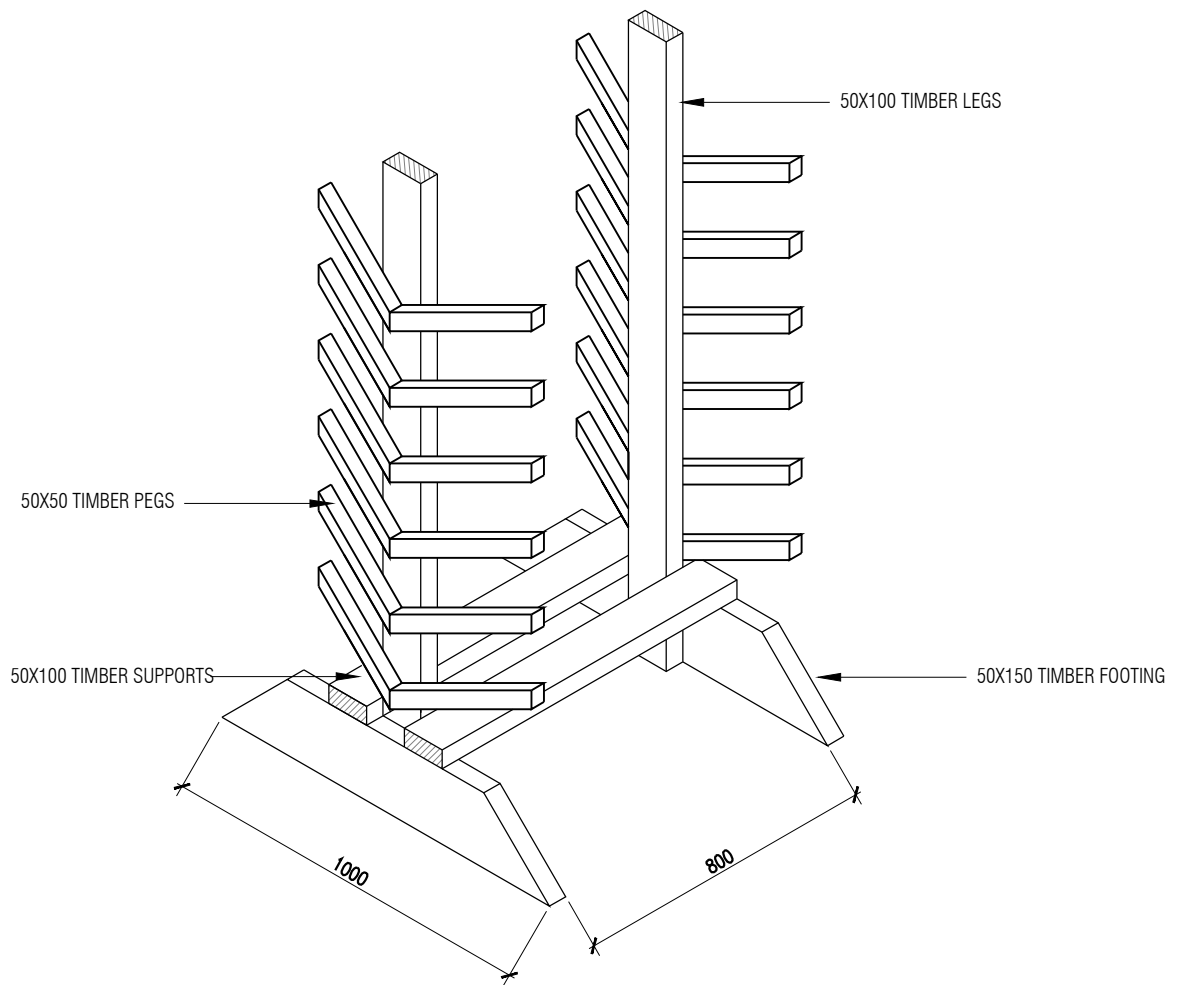


TOP VIEW



ELEVATION

OUTDOOR SHOWER
SCALE 1:20



WOODEN SURF BOARD RACK
SCALE 1:20