

## Terms of Reference

**Bid title:** Construction of a fire training ground at Hanimaadhoo Airport (HDK).

### Project Scope

1. This Project calls interested parties to construct a fire training ground according to the specifications provided by Regional Airports Company Limited.
2. Specifications are provided in “Appendix 1 – Technical Specifications” of this document.

**Project Site:** H.dh Hanimaadhoo

### Bid Documents

The following documents are a part of this terms of reference and must be submitted along with the bids.

1. Appendix 1 – Technical specifications
2. Appendix 2 - Bid securing declaration form
3. Appendix 3 – Application for Bid Submission
4. Appendix 4 – Bidder Profile and Technical Proposal
5. Appendix 5 – Price Schedule

**Interested parties must present their bids at the bid submission meeting held at 11:00 am on June 13, 2021 at Hanimaadhoo Airport. Bid opening will commence shortly after bid collection is completed.**

### Evaluation Criteria

Before evaluation, the bids will be assessed to see whether they meet the technical requirements of RACL which are provided in Appendix 1 – Technical Specifications. Bids that fail to meet the technical requirements will be disqualified. Those bids that pass the technical requirements will then be evaluated based on the below mentioned criteria.

<b>1</b>	<b>Quoted Price</b>	60 points
<b>2</b>	<b>Duration</b>	40 points
<b>Total</b>		100 points

**The Following information must be included in the Proposal.**

#### 1. Bid identification information

- Bid title,
- Iulaan number and date,
- Name of bidder,
- Bid reference number,
- Bid expiry date. (Bid expiry date shall be no less than 15 days from the date of bid submission)

## **2. Project Approach and Action Plan**

Provide a detailed statement of the Firm/Team's proposed approach and action Plan to successfully complete the work. Describe the challenges anticipated for performing the requested services that may impact the scope, schedule or budget and the proposed solutions to address these concerns.

## **3. Company Registration Information**

The bidders must provide their registration information, scope of business registered at the Ministry of Economic Development and Shareholder information.

**The following forms must be submitted along with this bid. Any bids that fail to submit these forms will be deemed unresponsive and will be disqualified.**

### **1. Bid Securing Declaration Form**

As provided in Appendix 2 of this document. All relevant fields must be filled.

### **2. Application for Bid Submission**

As provided in Appendix 3 of this document. All relevant fields must be filled.

### **3. Bidder Profile and Technical Proposal**

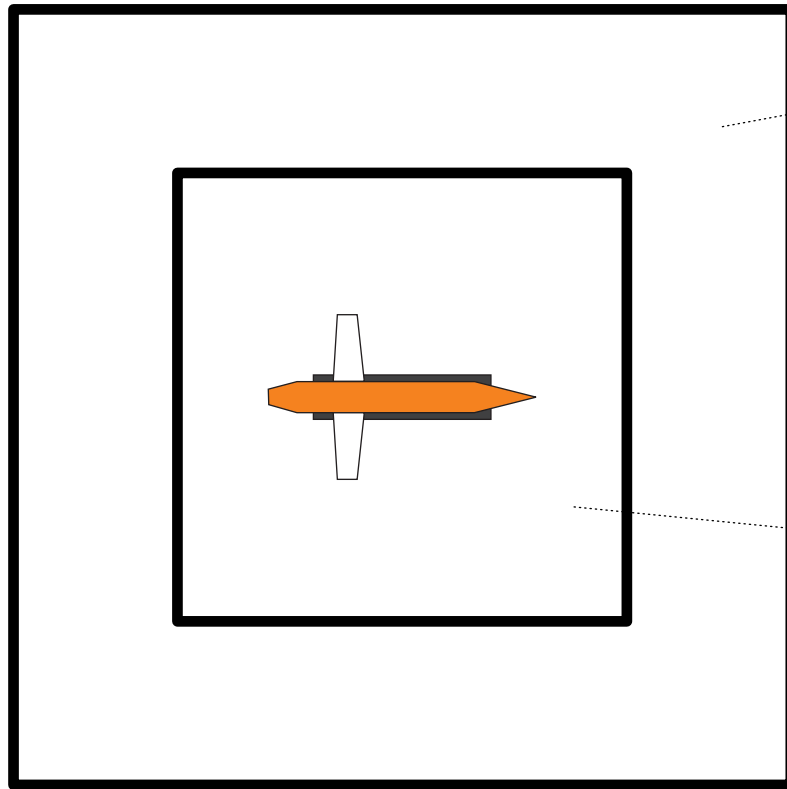
As provided in Appendix 4 of this document. All relevant fields must be filled.

### **4. Price Schedule**

As provided in Appendix 5 of this document. All relevant fields must be filled.

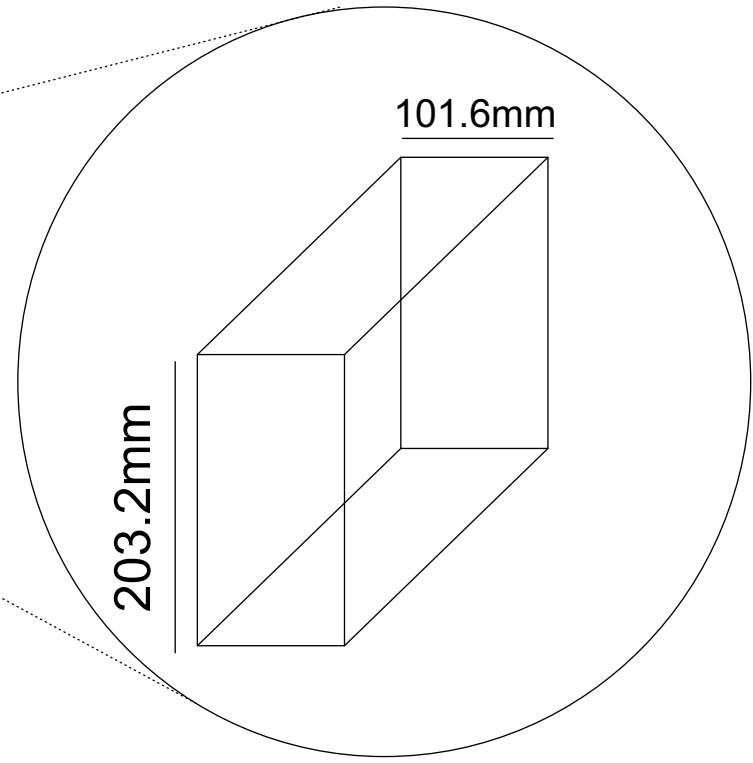
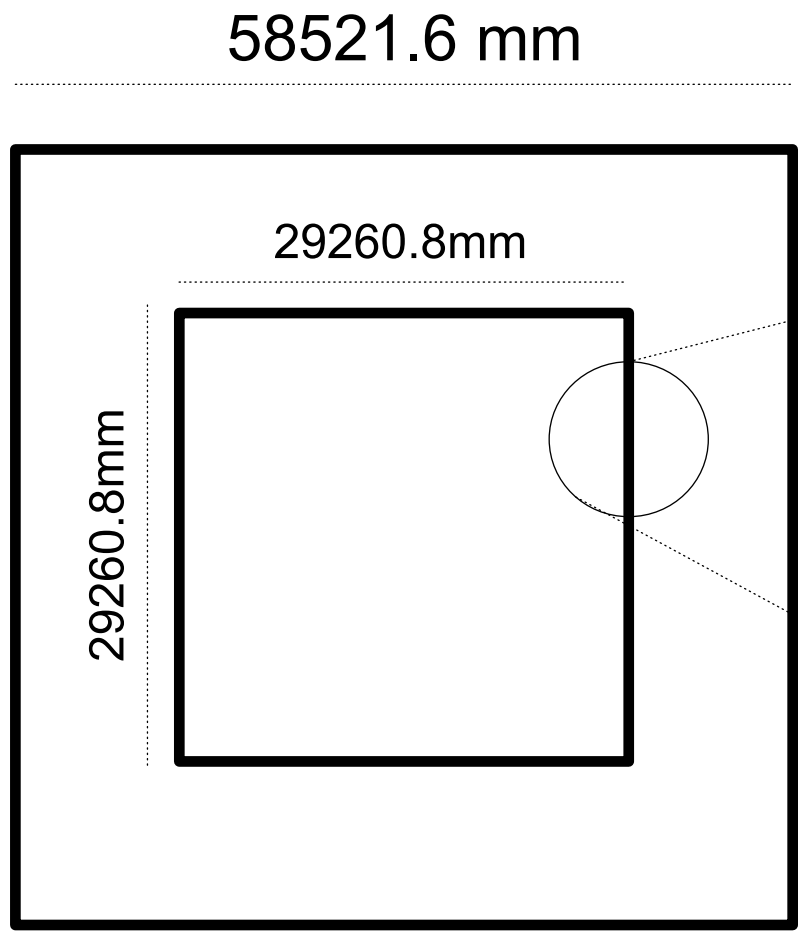
Note: RACL reserves the right to deem disqualified any bid document with an expiry date shorter than 10 days from the date of bid submission.



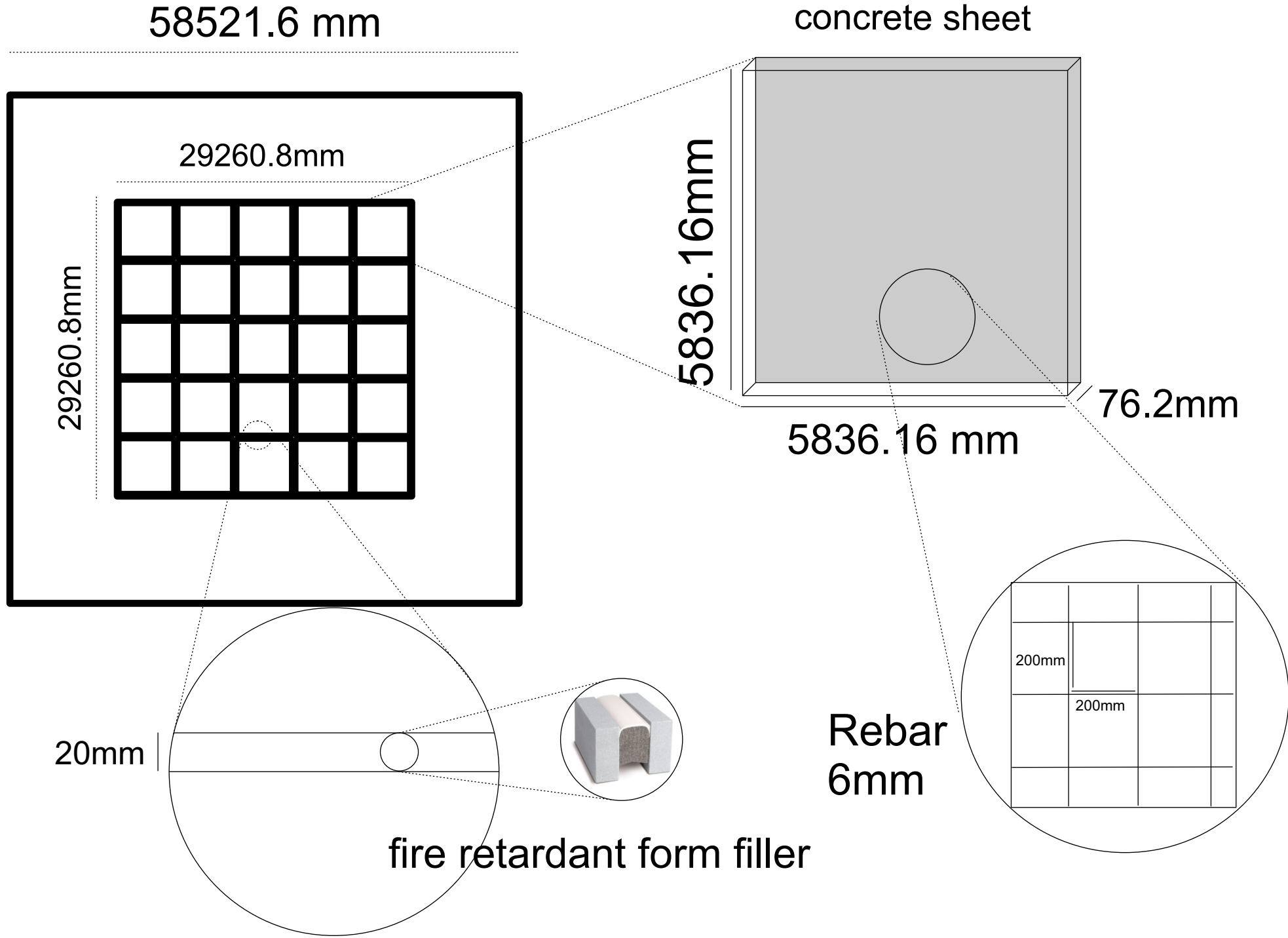


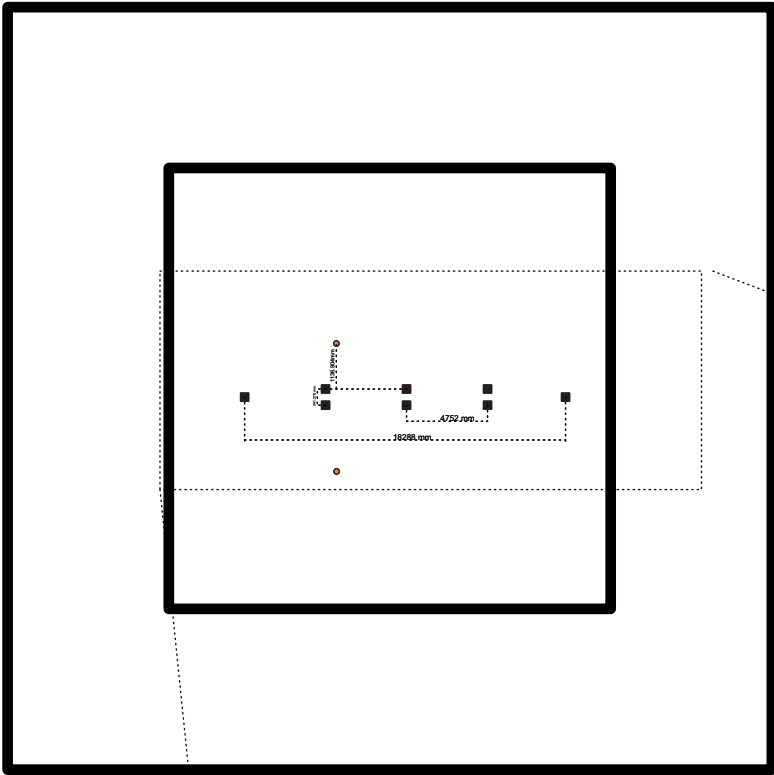
Compact dirt ground

Cement slab

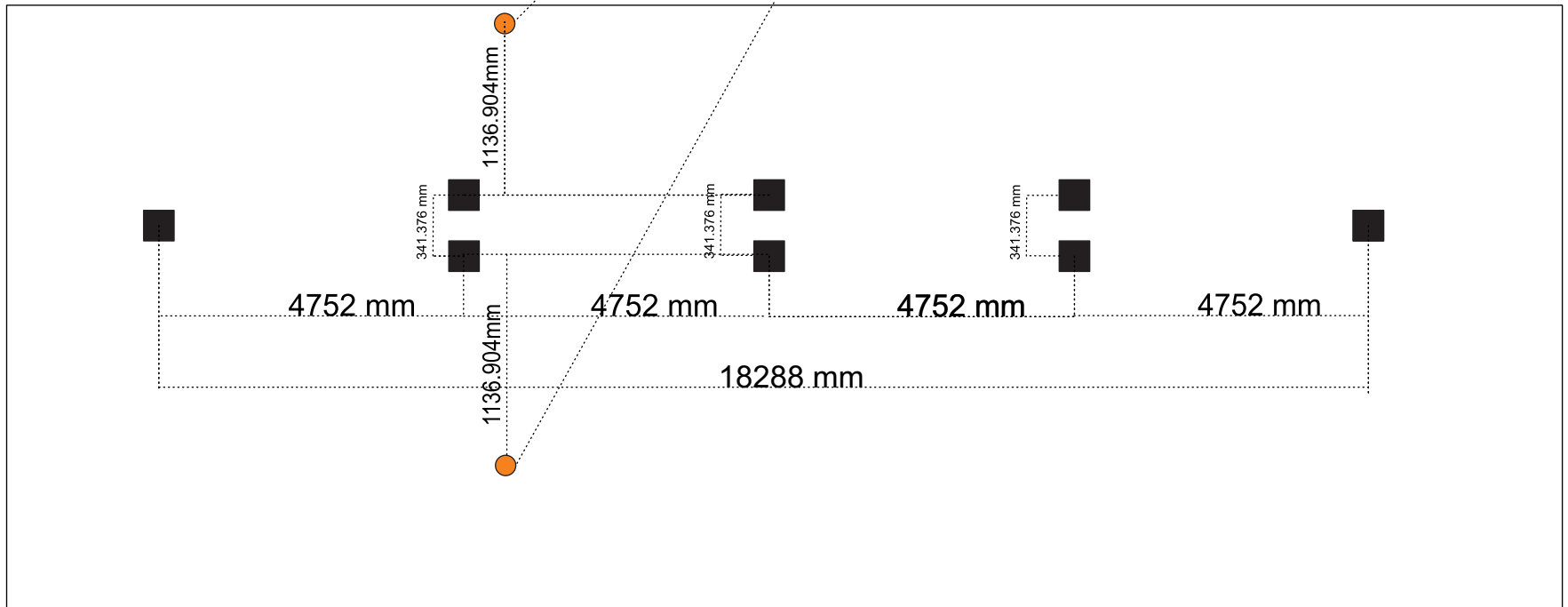
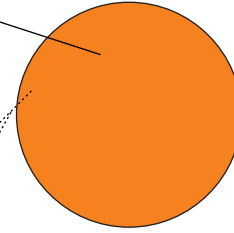


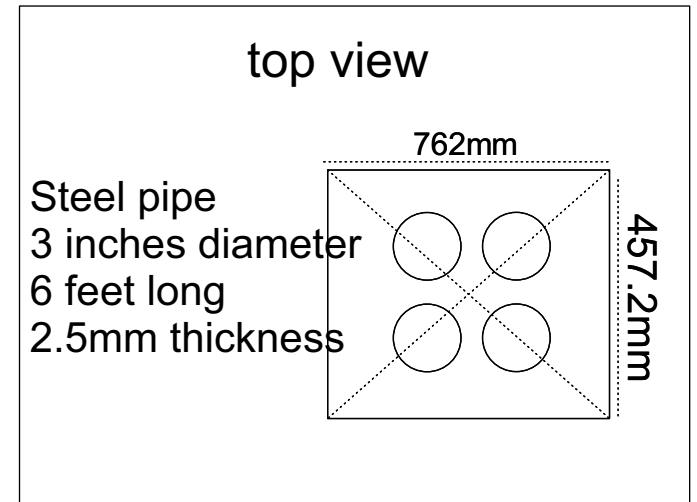
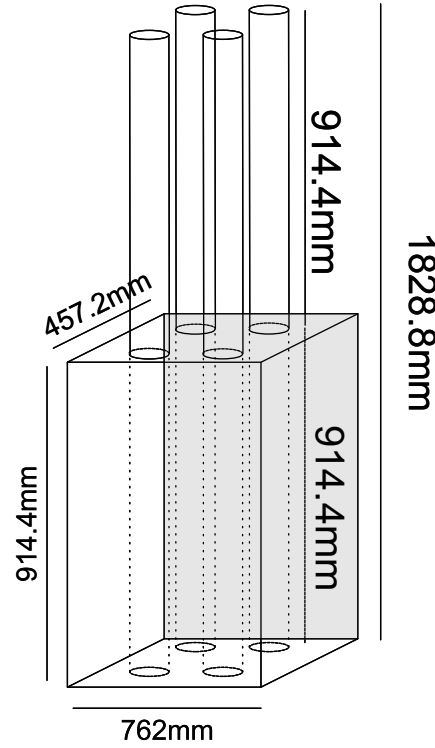
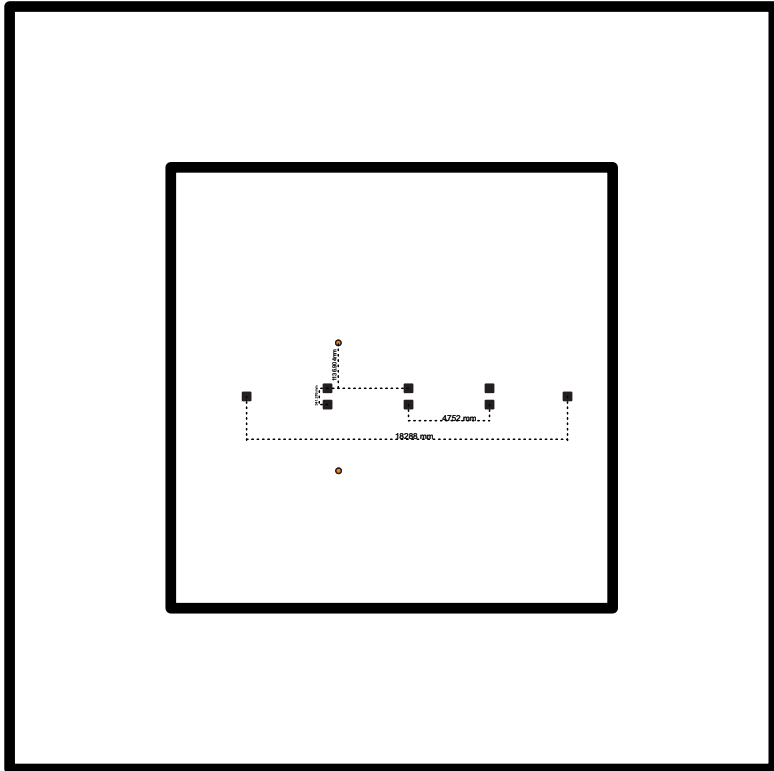
Brick wall with plastering





4 inch Steel Pipe  
7 feet long





**Appendix 2**

**BID SECURING DECLARATION FORM**

Bid Title: Construction of a Fire Training ground at Hanimaadhoo Airport (HDK)

Bid Reference Number:

Name of bidder:

Registration Number:

Registered Address:

E-mail Address:

Contact Number:

Date:

I, \_\_\_\_\_(Name of Authorized Officer)\_\_\_\_\_, as the duly authorized representative of \_\_\_\_\_(Name of Company)\_\_\_\_\_, hereby declare as follows:

1. That we are submitting a bid to Design and build a pressure fed fire training system for RACL;
2. That we shall not withdraw or modify our Bid after the closing time for submission and before the end of the period of validity;
3. That we shall not influence RACL in its evaluation, comparison or Contract award decisions; and
4. That we have provided accurate and complete information.
5. That in the event that we violate the preceding paragraphs 2, 3 and 4, we understand and accept that we shall be disqualified from bidding in any or all future contracts with RACL.

Very truly yours,

---

(Name and Signature of Authorized Officer)

---

(Designation of Authorized Officer)

---

(Name of Applicant/Company)



**Appendix 3**

**APPLICATION FOR BID SUBMISSION**

Project	<b>Construction of a fire training ground at Hanimaadhoo Airport (HDK)</b>
Announcement No.	

<b>BIDDER INFORMATION FORM</b>			
Name of Bidder			
Entity Type	<input type="checkbox"/>	Sole proprietor	
	<input type="checkbox"/>	Company	
	<input type="checkbox"/>	Partnership	
	<input type="checkbox"/>	Cooperative	
Business registration No.			
GST No.			
Contact No.	Fixed		Mobile
Email Address			
Registered Address (must provide building/house name, floor, apartment no., road, island and atoll)			
<b>BUSINESS NAME</b>			
Registered Name			
<b>CONTACT PERSON</b>			
Name			
Mobile Number			
Signature	Stamp		

- All fields are mandatory

**Appendix 4**

**Bidder Profile and Technical proposal**

<b>Bidder Details</b>		<b>Signature &amp; Seal (Registered Firms)</b> <i>(initial each extra page)</i>
Bidder Name		
Registration number		
Contact Person	Name:	
	Mobile Number:	
Email Address		
Years in Business		

**Profile:** (Accordance with the ToR. Can be Attached separately)

**Delivery Period:**

**References:** (Documents outlining the details of implementation of the proposed application. Can be Attached Separately)

**Appendix 5**

**Price Schedule and Payment Terms**

<b>Bidder Details</b>			<b>Signature and Seal</b> (Registered firms)
Bidder Name:			
RFP Reference:			
Business Registration:			
GST Number:			
Email Address:			
Phone Number:			

<b>Description of service</b> (Accordance with the RFP. Can be Attached separately)	<b>Total price</b> (in MVR including GST)

**Total**

---

<b>Payment Terms</b>	<b>Amount</b> (in MVR)

**Total**

---