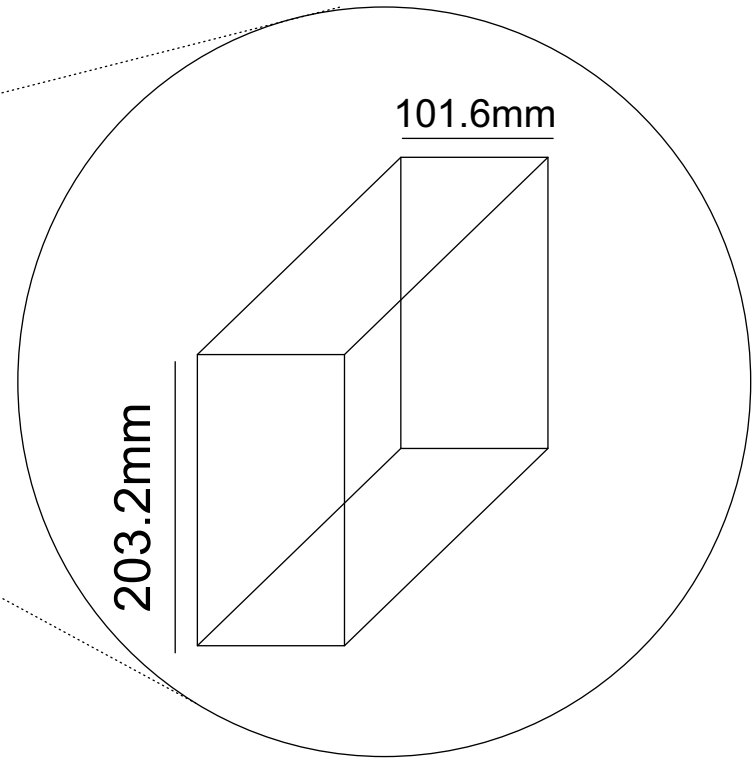
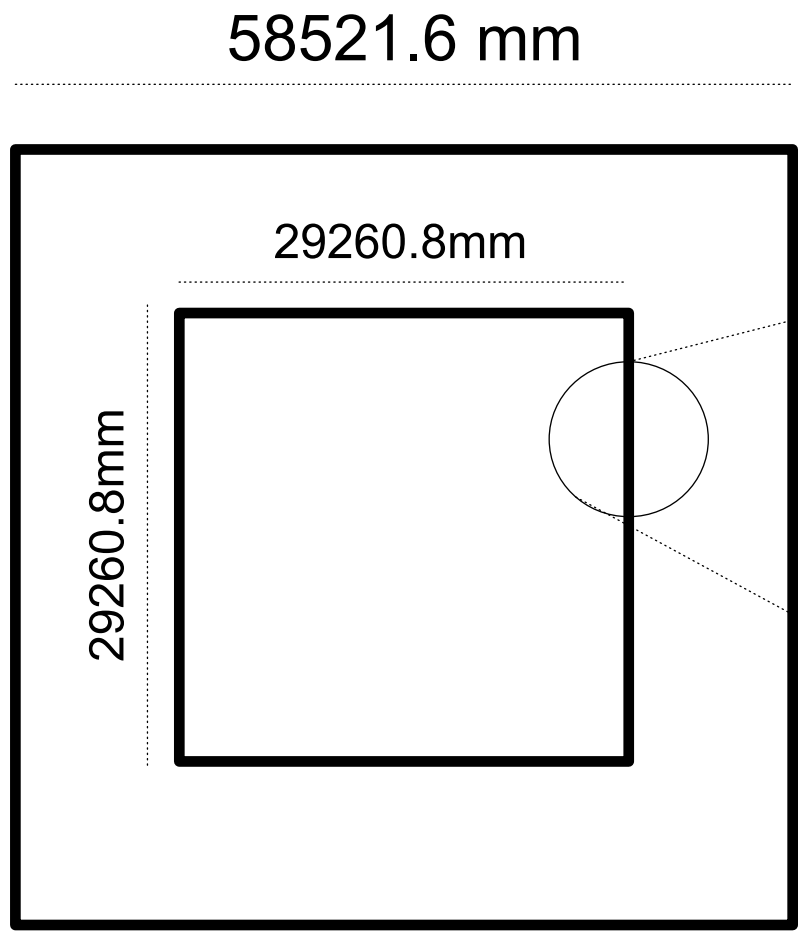
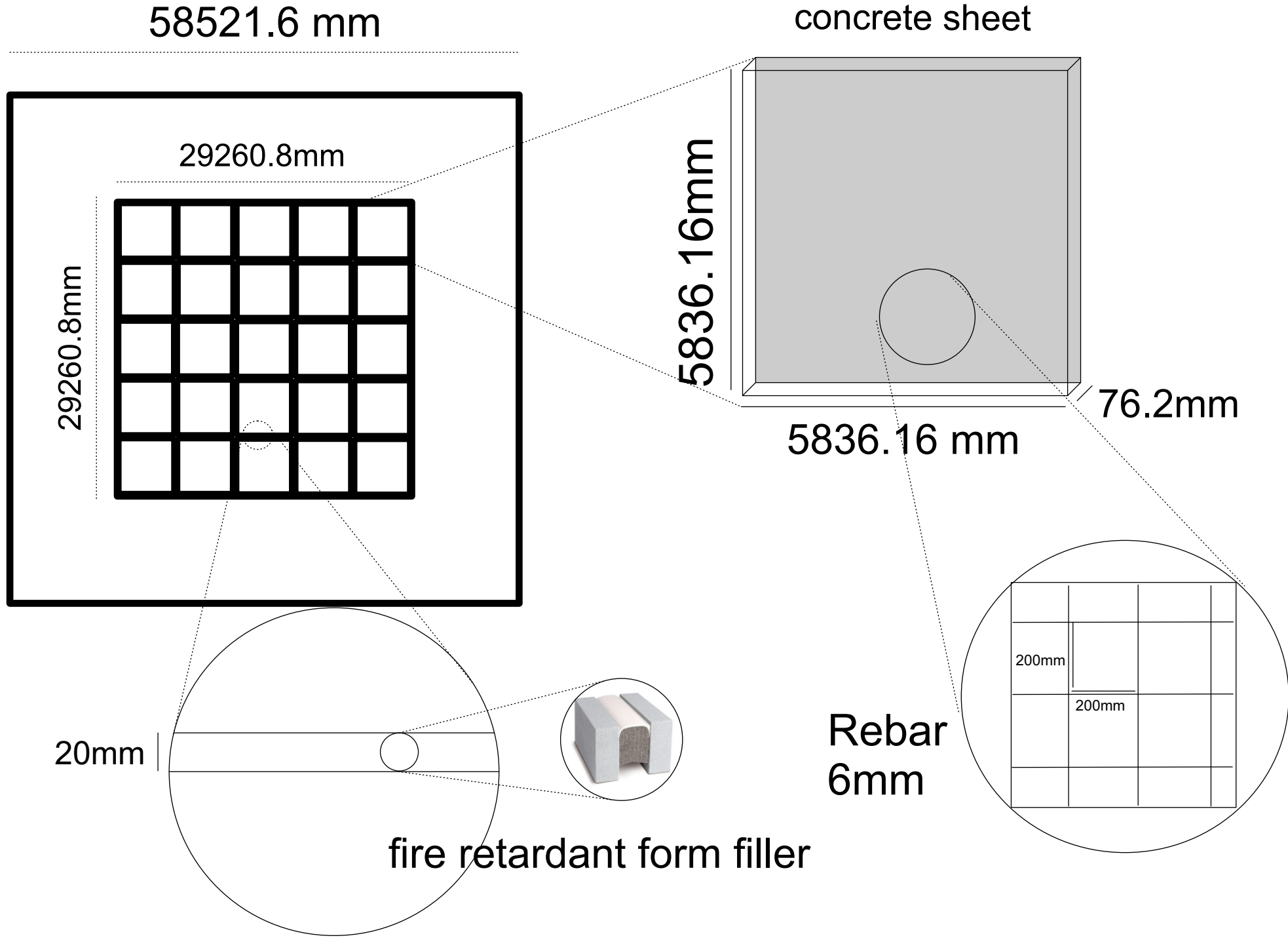


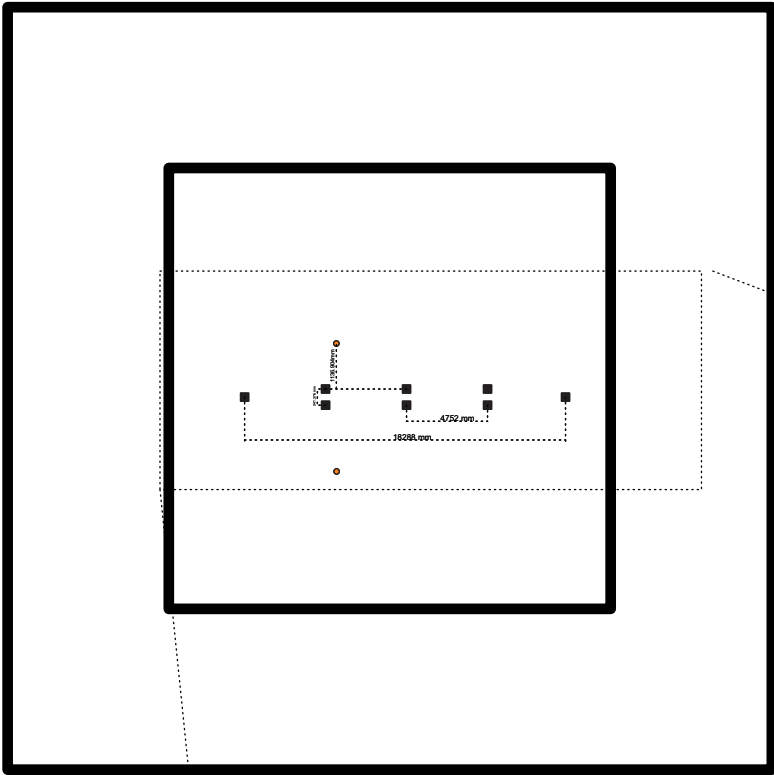
Compact dirt ground

Cement slab

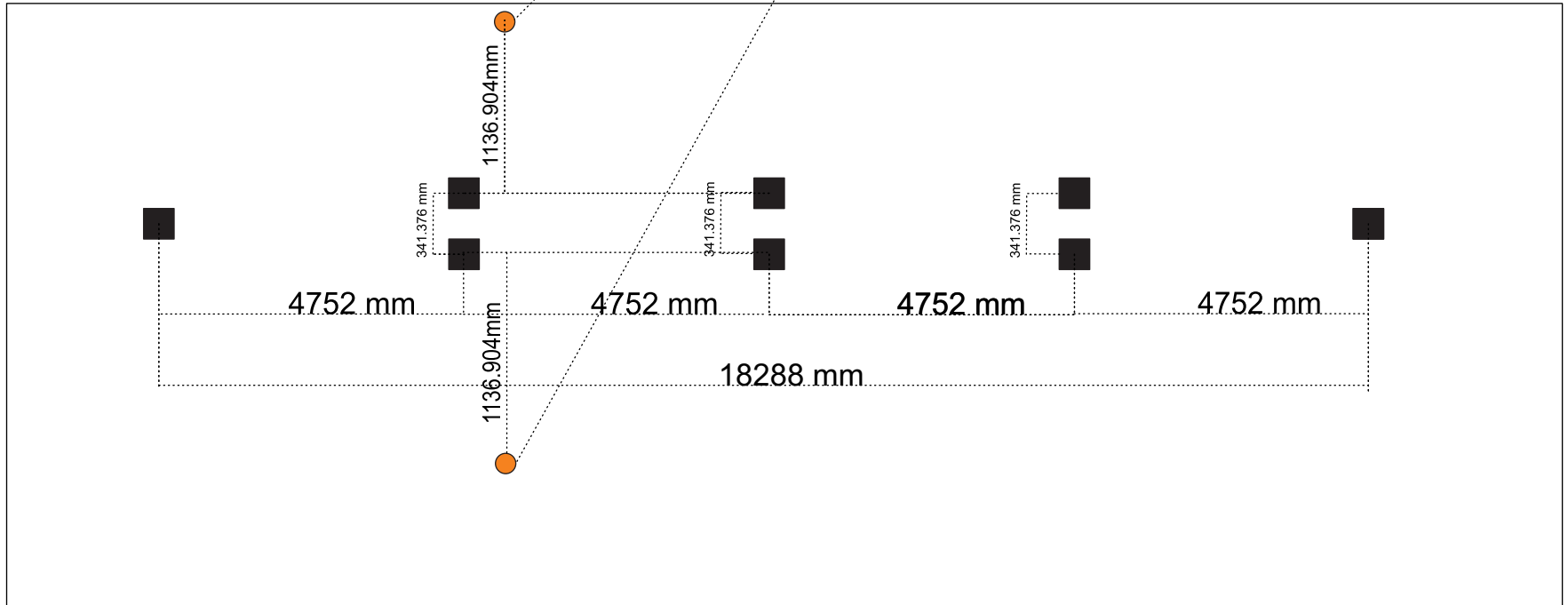
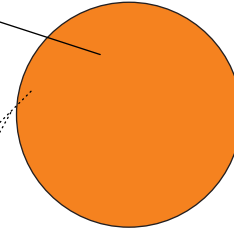


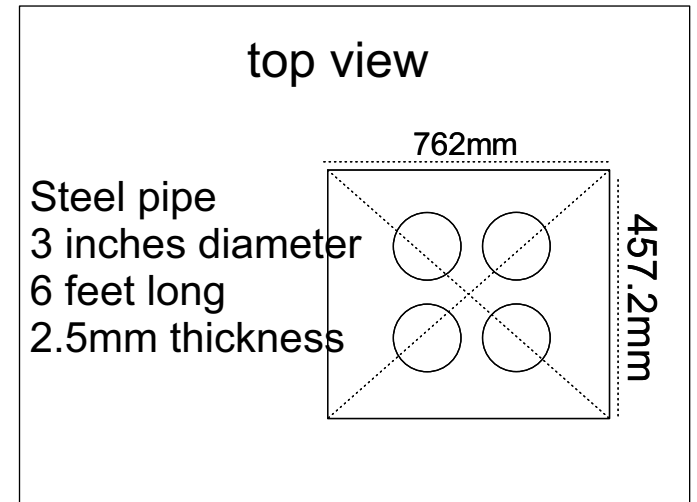
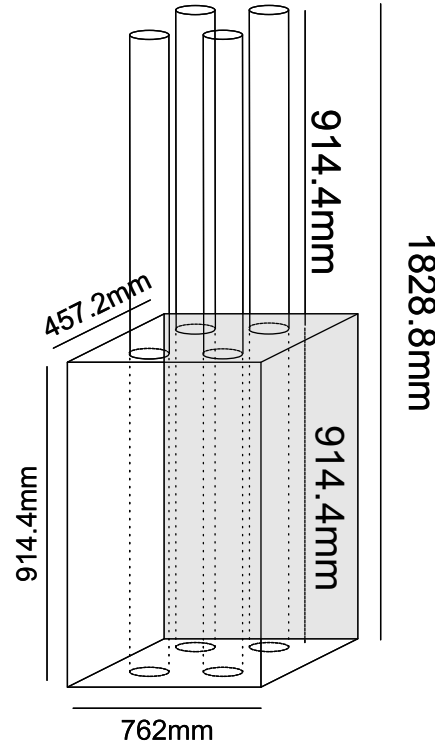
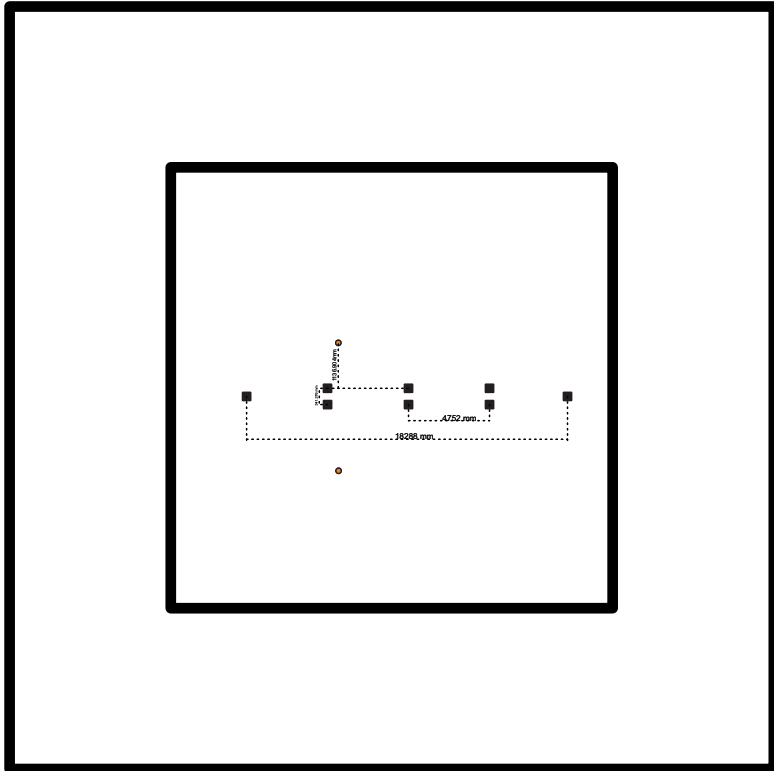
Brick wall with plastering





4 inch Steel Pipe  
7 feet long





**Appendix 2**

**BID SECURING DECLARATION FORM**

Bid Title: Construction of a Fire Training ground at Hanimaadhoo Airport (HDK)

Bid Reference Number:

Name of bidder:

Registration Number:

Registered Address:

E-mail Address:

Contact Number:

Date:

I, \_\_\_\_\_(Name of Authorized Officer)\_\_\_\_\_, as the duly authorized representative of  
\_\_\_\_\_(Name of Company)\_\_\_\_\_, hereby declare as follows:

1. That we are submitting a bid to Design and build a pressure fed fire training system for RACL;
2. That we shall not withdraw or modify our Bid after the closing time for submission and before the end of the period of validity;
3. That we shall not influence RACL in its evaluation, comparison or Contract award decisions; and
4. That we have provided accurate and complete information.
5. That in the event that we violate the preceding paragraphs 2, 3 and 4, we understand and accept that we shall be disqualified from bidding in any or all future contracts with RACL.

Very truly yours,

\_\_\_\_\_  
(Name and Signature of Authorized Officer)

\_\_\_\_\_  
(Designation of  
Authorized Officer)

\_\_\_\_\_  
(Name of Applicant/Company)



**Appendix 3****APPLICATION FOR BID SUBMISSION**

Project	<b>Construction of a fire training ground at Hanimaadhoo Airport (HDK)</b>
Announcement No.	

<b>BIDDER INFORMATION FORM</b>				
Name of Bidder				
Entity Type	<input type="checkbox"/>	Sole proprietor		
	<input type="checkbox"/>	Company		
	<input type="checkbox"/>	Partnership		
	<input type="checkbox"/>	Cooperative		
Business registration No.				
GST No.				
Contact No.	Fixed		Mobile	
Email Address				
Registered Address (must provide building/house name, floor, apartment no., road, island and atoll)				
<b>BUSINESS NAME</b>				
Registered Name				
<b>CONTACT PERSON</b>				
Name				
Mobile Number				
Signature			Stamp	

- All fields are mandatory

**Appendix 4**

**Bidder Profile and Technical proposal**

<b>Bidder Details</b>		<b>Signature &amp; Seal (Registered Firms)</b> <i>(initial each extra page)</i>
Bidder Name		
Registration number		
Contact Person	Name:	
	Mobile Number:	
Email Address		
Years in Business		

<p><b><u>Profile:</u></b> (Accordance with the ToR. Can be Attached separately)</p>
<p><b><u>Delivery Period:</u></b></p>
<p><b><u>References:</u></b> (Documents outlining the details of implementation of the proposed application. Can be Attached Separately)</p>

**Appendix 5**

**Price Schedule and Payment Terms**

<b>Bidder Details</b>			<b>Signature and Seal</b> (Registered firms)
Bidder Name:			
RFP Reference:			
Business Registration:			
GST Number:			
Email Address:			
Phone Number:			

<b>Description of service</b> (Accordance with the RFP. Can be Attached separately)	<b>Total price</b> (in MVR including GST)

**Total**

---

---

<b>Payment Terms</b>	<b>Amount</b> (in MVR)

**Total**

---