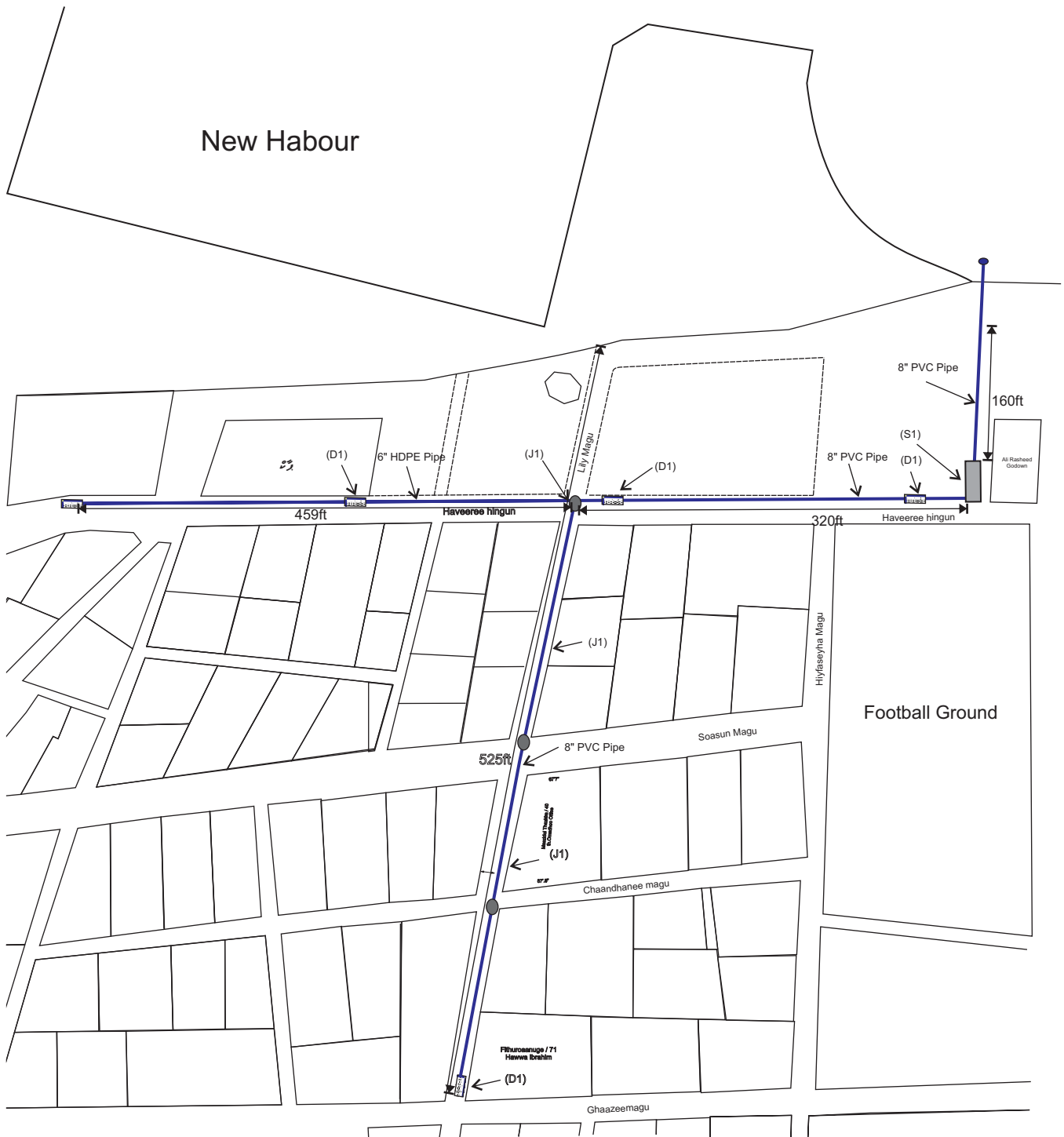


Rain water Drainage Pipe line

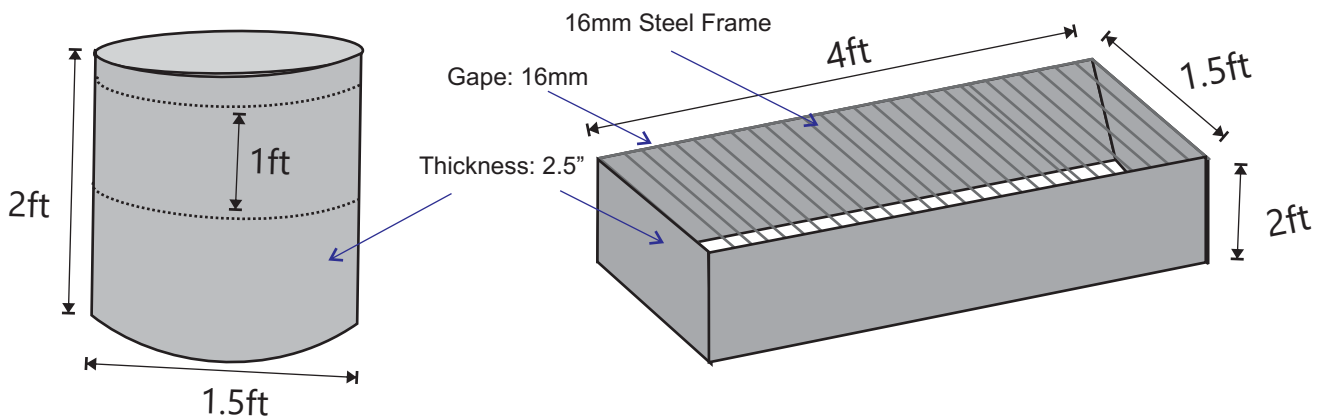
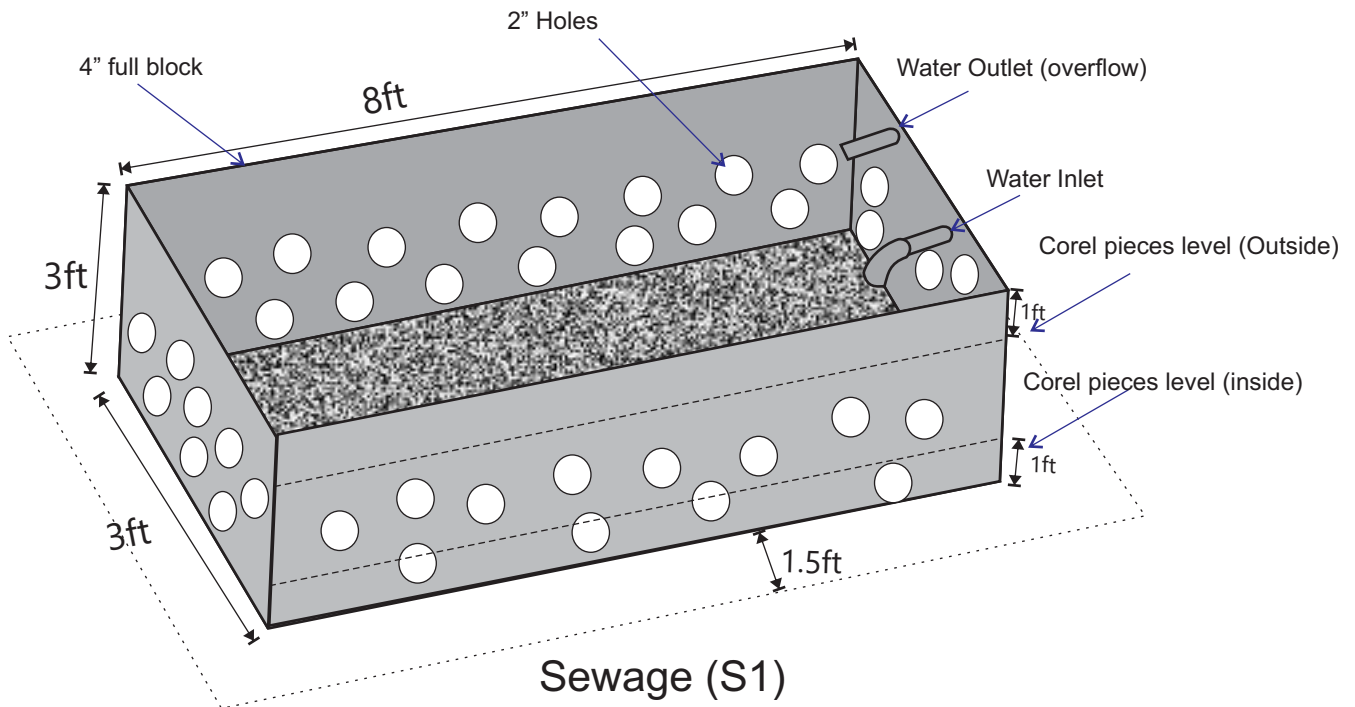


Layout - 1

Rain water Drainage Project
 Secretariat of the Omadhoo Council
 Th. Omadhoo, Rep. of Maldives



Drainage Boxes



Junction (J1)

Drainage (D1)