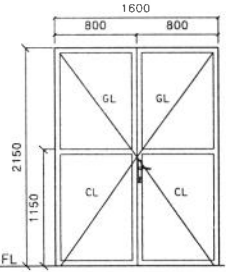
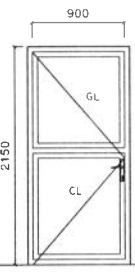
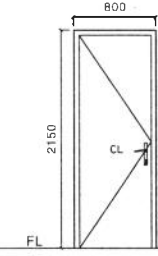
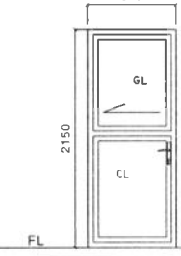
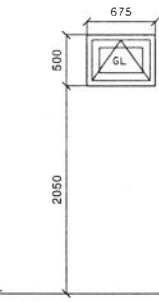


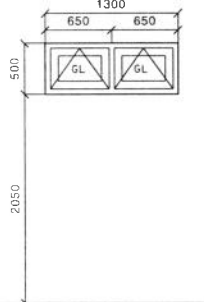
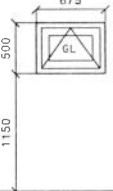




# DOORS AND WINDOWS SCHEDULE

Scale 1:50

SYMBOL	D1	D2	D3	D3	V1
ELEVATION					
LOCATION	GROUND FLOOR	GROUND FLOOR	GROUND FLOOR	GROUND FLOOR	GROUND FLOOR
QUANTITY	00 NOS	00 NOS	00 NOS	00 NOS	00 NOS
FRAME	ALUMINUM FRAME DOOR	ALUMINUM FRAME DOOR	ALUMINUM FRAME DOOR	ALUMINUM FRAME DOOR	ALUMINUM FRAME DOOR
PANEL	ALUMINUM 60-80 MICRON POWDER COATING	ALUMINUM 60-80 MICRON POWDER COATING	ALUMINUM 60-80 MICRON POWDER COATING	ALUMINUM 60-80 MICRON POWDER COATING	ALUMINUM 60-80 MICRON POWDER COATING
FINISH	ALUMINUM IN 60-80 MICRON POWDER COATING	ALUMINUM IN 60-80 MICRON POWDER COATING	ALUMINUM IN 60-80 MICRON POWDER COATING	ALUMINUM IN 60-80 MICRON POWDER COATING	ALUMINUM IN 60-80 MICRON POWDER COATING
HINGE	STAINLESS STEEL	STAINLESS STEEL	STAINLESS STEEL	STAINLESS STEEL	STAINLESS STEEL
LOCK	STATE MAKE	STATE MAKE	STATE MAKE	STATE MAKE	STATE MAKE
NOTE	ALL MEASUREMENTS TO BE CHECKED ON SITE	ALL MEASUREMENTS TO BE CHECKED ON SITE	ALL MEASUREMENTS TO BE CHECKED ON SITE	ALL MEASUREMENTS TO BE CHECKED ON SITE	ALL MEASUREMENTS TO BE CHECKED ON SITE

SYMBOL	V2	V3
ELEVATION		
LOCATION	GROUND FLOOR	GROUND FLOOR
QUANTITY	00 NOS	00 NOS
FRAME	ALUMINUM FRAME DOOR	ALUMINUM FRAME DOOR
PANEL	ALUMINUM 60-80 MICRON POWDER COATING	ALUMINUM 60-80 MICRON POWDER COATING
FINISH	ALUMINUM IN 60-80 MICRON POWDER COATING	ALUMINUM IN 60-80 MICRON POWDER COATING
HINGE	STAINLESS STEEL	STAINLESS STEEL
LOCK	STATE MAKE	STATE MAKE
NOTE	ALL MEASUREMENTS TO BE CHECKED ON SITE	ALL MEASUREMENTS TO BE CHECKED ON SITE

NOTE

PROVIDE RC LINTEL ABOVE ALL DOOR/WINDOW/VENTILATOR UNITS NOT FIXED TO BEAMS AND PROVIDE RC SILL BEAMS UNDER ALL WINDOW UNITS  
ALL TIMBER DOORS TO BE MADE OF TIMBER, PUTTY SMOOTHED AND FINISHED WITH ENAMEL PAINT AS SPECIFIED

GL = 6MM TICK TINTED LAMINATED GLASS  
CL = 5 CLADDING SHEET, WHITE POWDER COATED ON BOTH SIDE.  
DOUBLE GLAZING

ALL THE ALUMINUM PROFILE MUST BE MINIMUM 2MM THICK.

SHEET CONTENTS

---

REVISION NOTES

---

PROJECT  
EXTENSION OF PCR LAB AT URH

CLIENT  
MINISTRY OF HEALTH

LOCATION  
R. UNGOOFAARU

CONTENTS: AS GIVEN

PROJECT MANAGER:

DESIGNER: ARIZ

CIV/STR. ENGINEER:

SURVEYED BY:


DRAWN BY: ARIZ

CHECKED BY:

DATE: JUNE 2021

SHEET NO.:

PAPER SIZE: A3

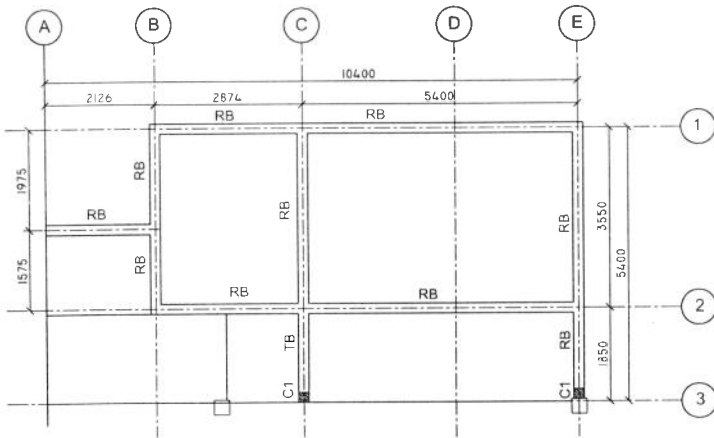


ADMIN DIVISION  
Ministry of Health  
Rachanave Building  
Sion, Mangalore  
Tel: 342 8887, Fax: 342 8890



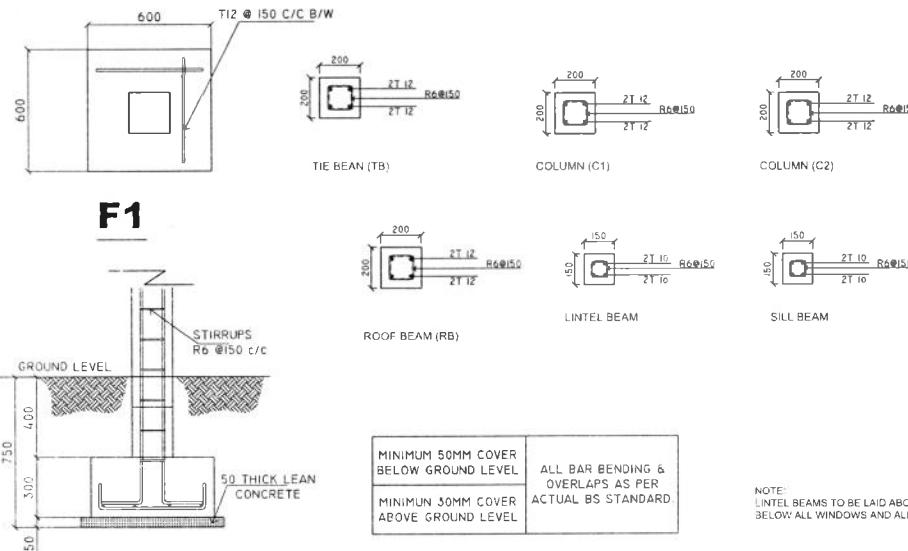
# ROOF BEAM PLAN

SCALE: 1 : 100



# DETAILS R/C

SCALE: 1 : 25



MINIMUM 50MM COVER BELOW GROUND LEVEL	ALL BAR BENDING & OVERLAPS AS PER ACTUAL BS STANDARD
MINIMUM 50MM COVER ABOVE GROUND LEVEL	

NOTE:  
LINTEL BEAMS TO BE LAID ABOVE AND BELOW ALL WINDOWS AND ALL DOORS.

SHEET CONTENTS

---

REVISION NOTES

---

PROJECT:  
EXTENSION OF PCR LAB AT URH

CLIENT:  
MINISTRY OF HEALTH

LOCATION:  
R. UNGOOFARU

CONTENTS AS GIVEN

PROJECT MANAGER:

DESIGNER: ARIZ

CIV/STR. ENGINEER:

SURVEYED BY:

DRAWN BY: ARIZ

CHECKED BY:

DATE: JUNE 2021

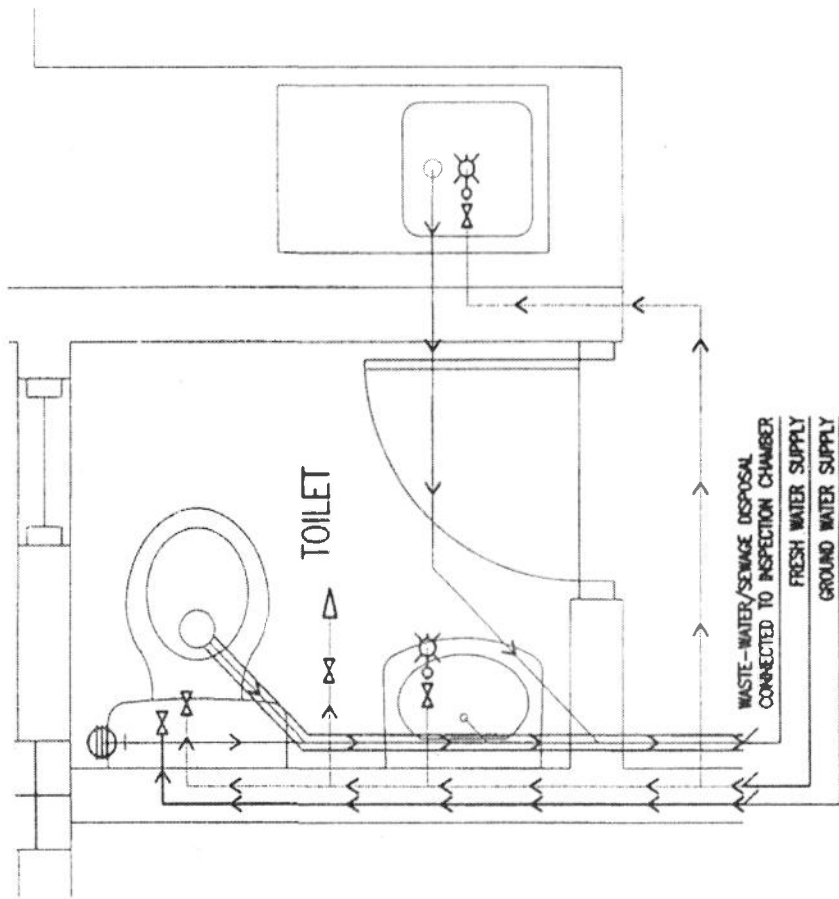
SHEET NO.:

PAPER SIZE: A3

ADMIN DIVISION  
Ministry of Health  
Rwanda Building  
Kigali, Rwanda  
Tel: 332 5887, Fax: 3328886







TOILET TYPE 1

1. DETAIL PLUMBING LAYOUT 1:20

NOTE: DETAILED PLUMBING SYSTEM TO BE DESIGNED BY THE CONTRACTOR

