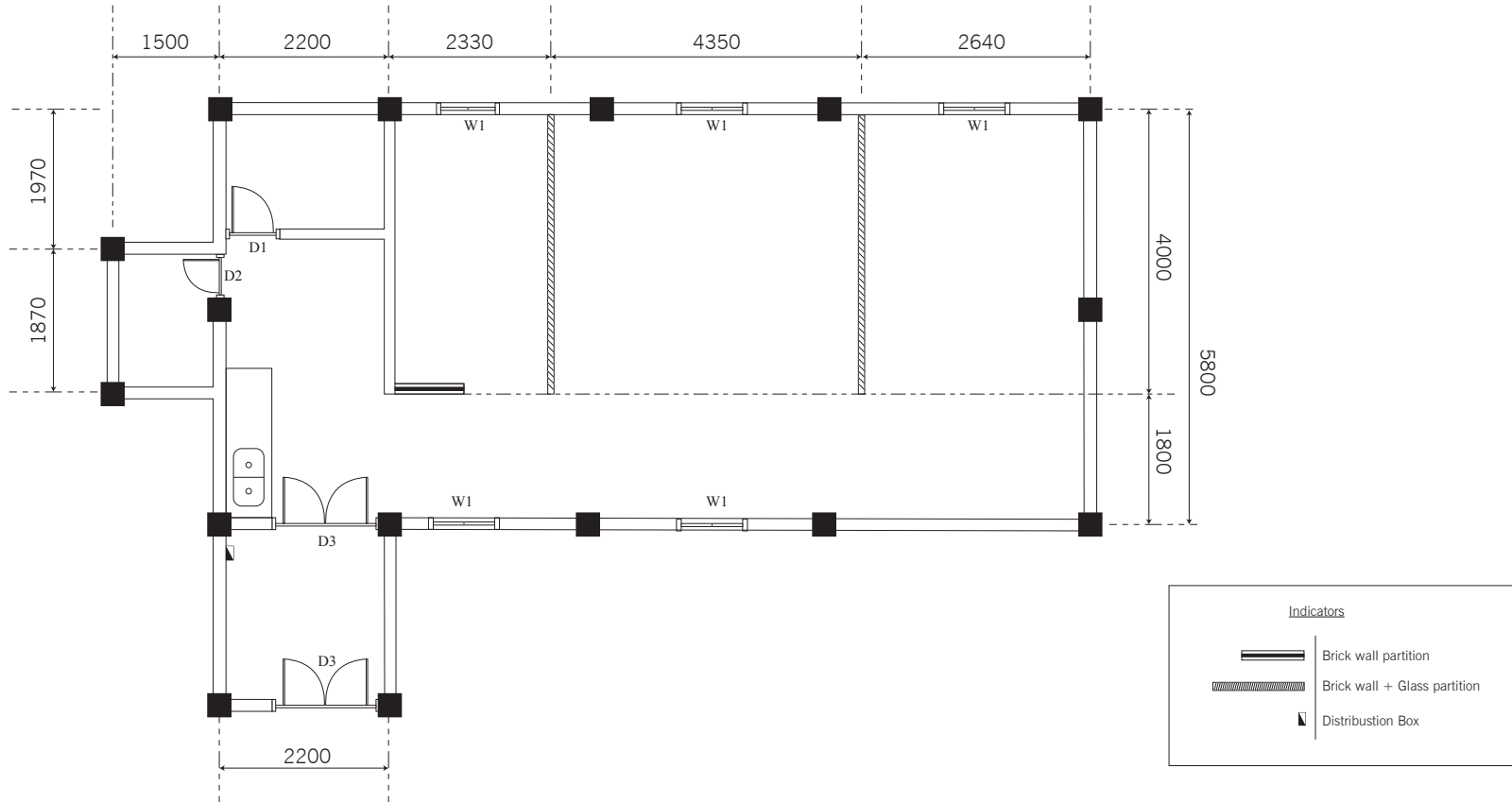
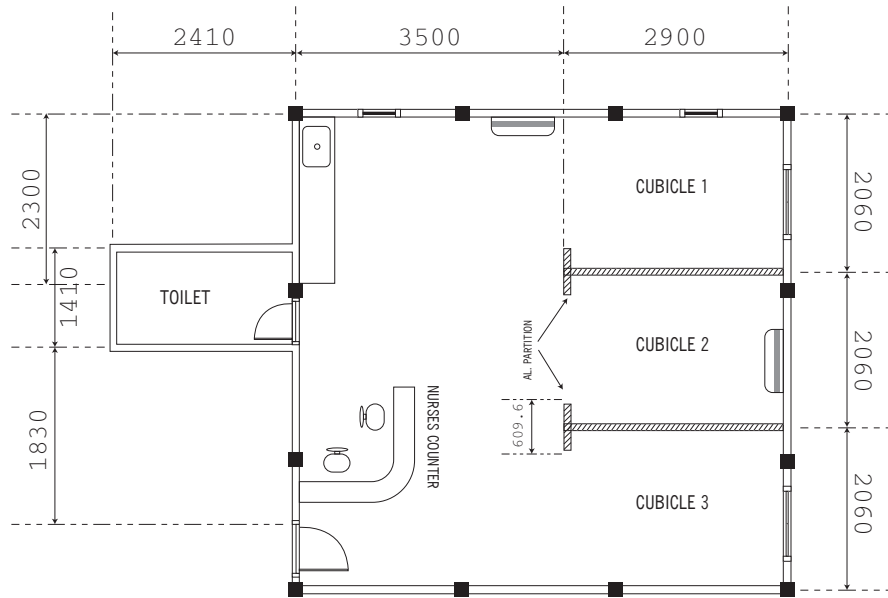


FLOOR PLAN
SCALE 1:100



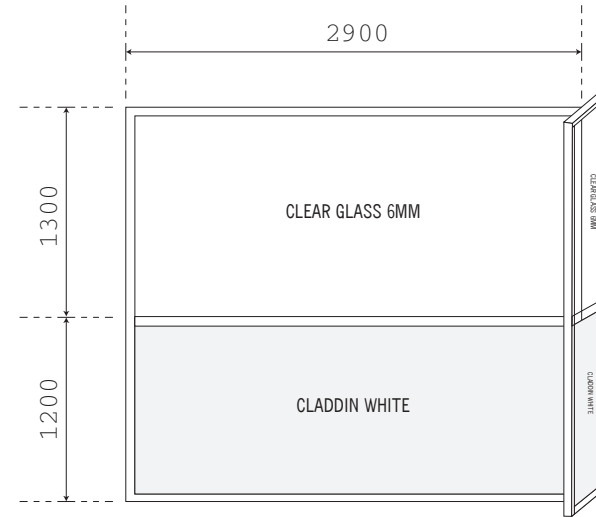
Existing floor plan (Allocated Space for PCR Lab)
Dr. Abdul Samad Memorial Hospital
Gdh.Thinadhoo

**Floor plan
Scale 1:100**

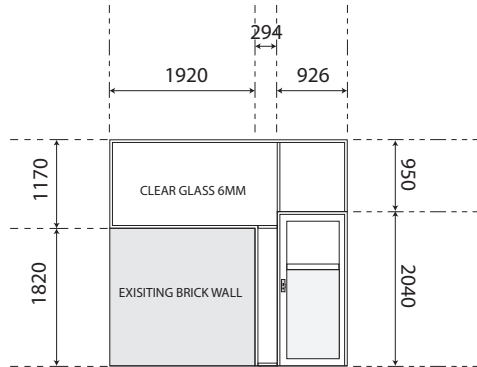


Proposed floor plan for NICU (existing physio)
Dr. Abdul Samad Memorial Hospital
Gdh.Thinadhoo

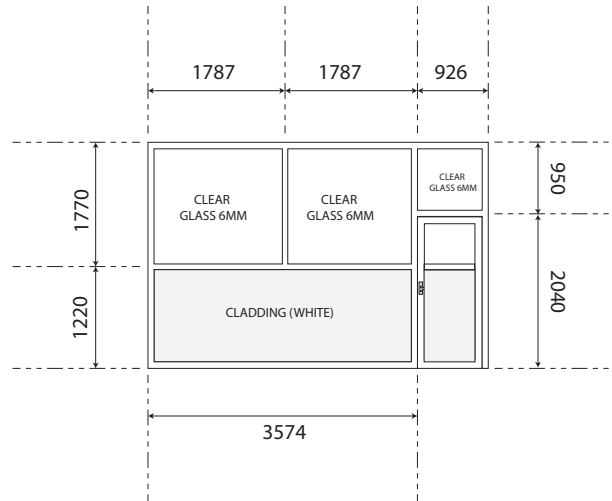
**Partition Frame: E
Scale 1:50**



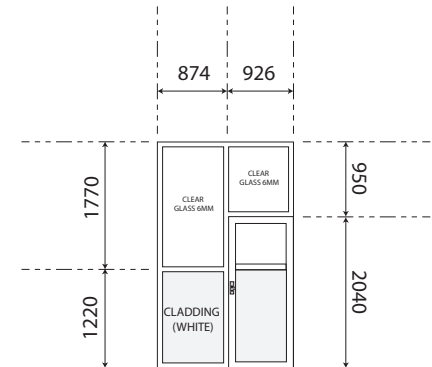
Partition plan for NICU (existing physio)
Dr. Abdul Samad Memorial Hospital
Gdh.Thinadhoo



Partition Frame: A
Scale 1:100



Partition Frame: B
Scale 1:100



Partition Frame: C
Scale 1:100



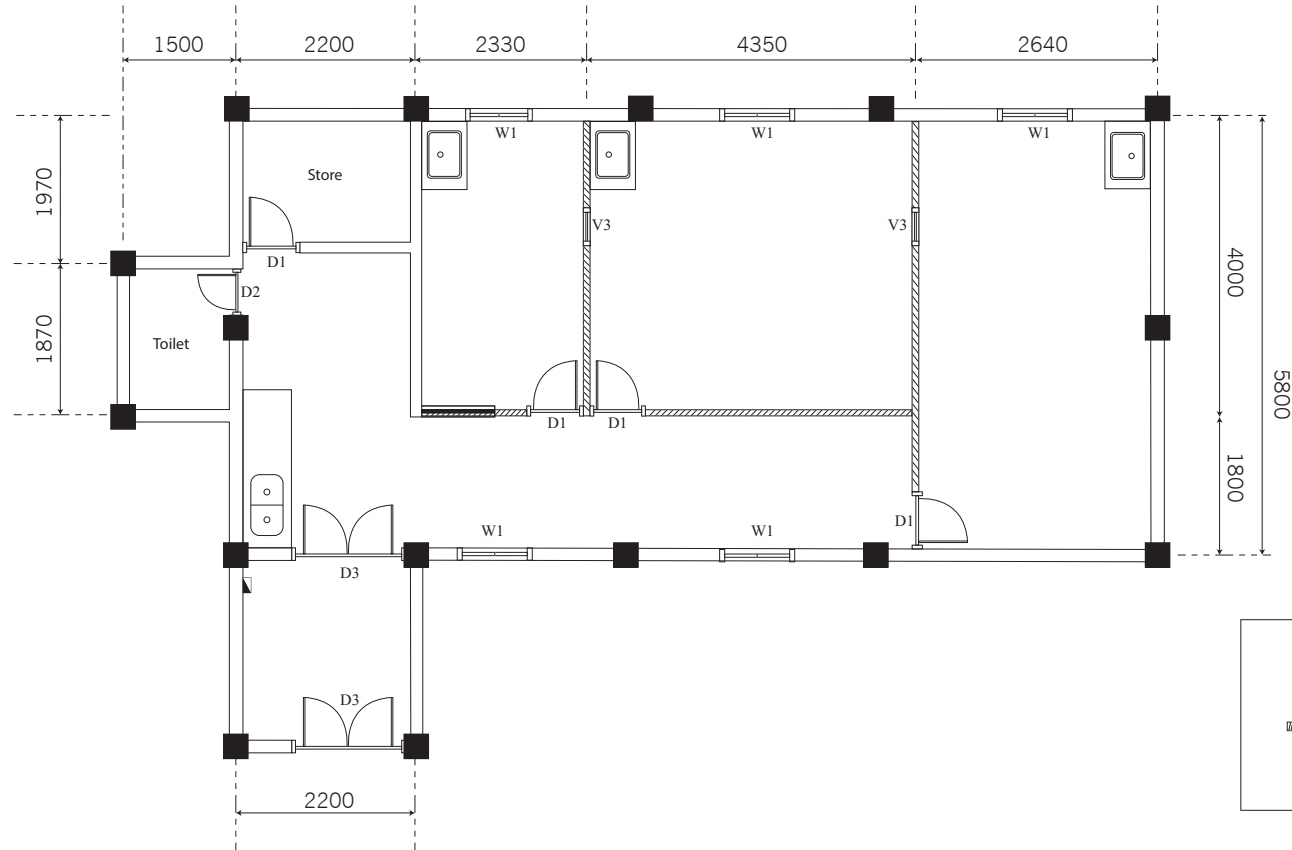
Aluminium Partition at PCR lab
Dr. Abdul Samad Memorial Hospital
Gdh·Thinadhoo

Partition Frame: D
Scale 1:20



Partition for New PCR LAB (existing NICU)
Dr. Abdul Samad Memorial Hospital
Gdh·Thinadhoo

FLOOR PLAN
SCALE 1:100

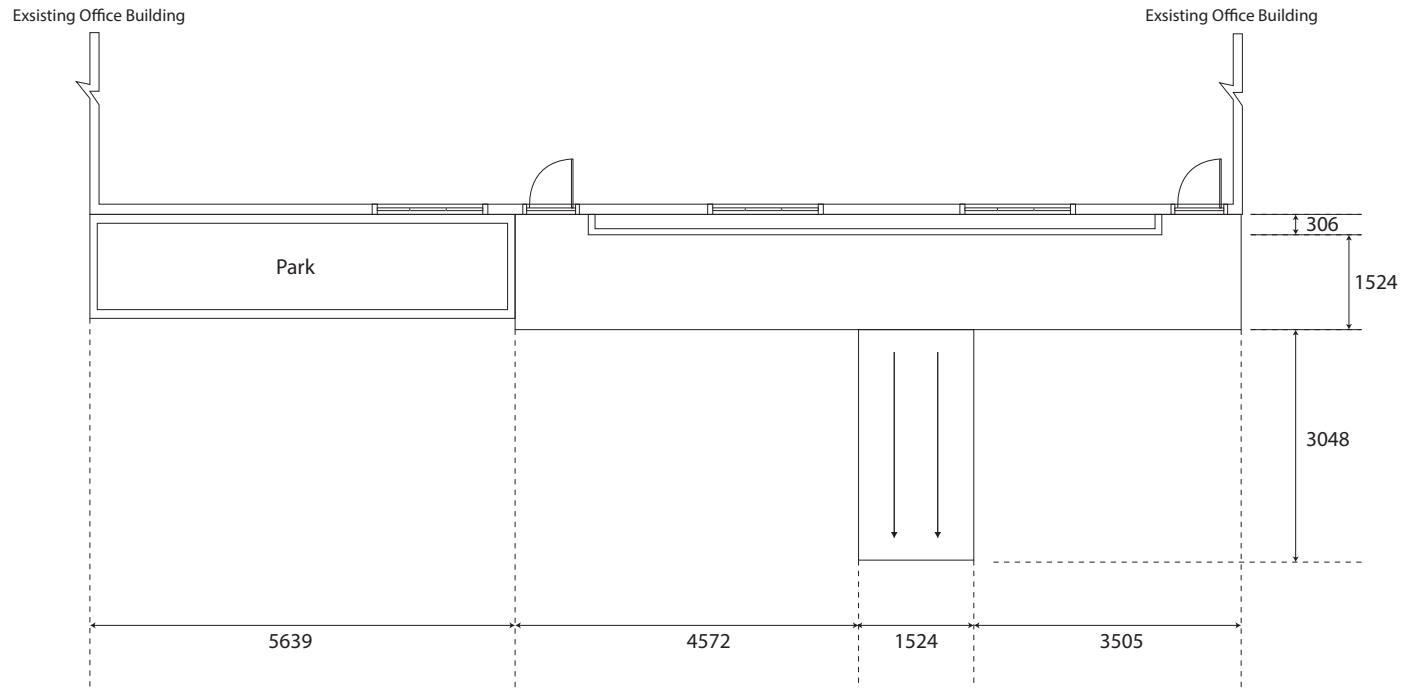


Indicators	
	Brick wall partition
	Brick wall + Glass partition
	Distribution Box



Proposed floor plan for PCR Lab (Allocated Space for PCR Lab)
Dr. Abdul Samad Memorial Hospital
Gdh.Thinadhoo

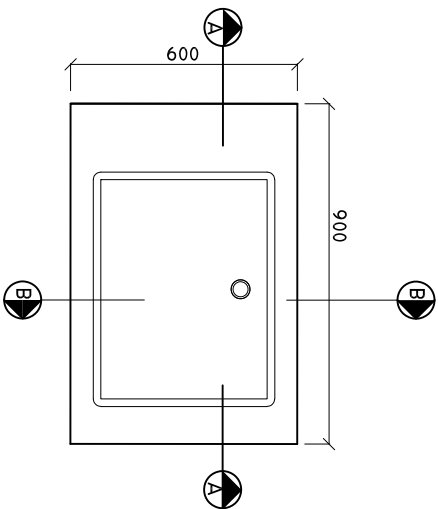
Scale
1:100



Ramp at Physiotherapy Entrance
Dr. Abdul Samad Memorial Hospital
Gdh.Thinadhoo

SINK CUPBOARD.

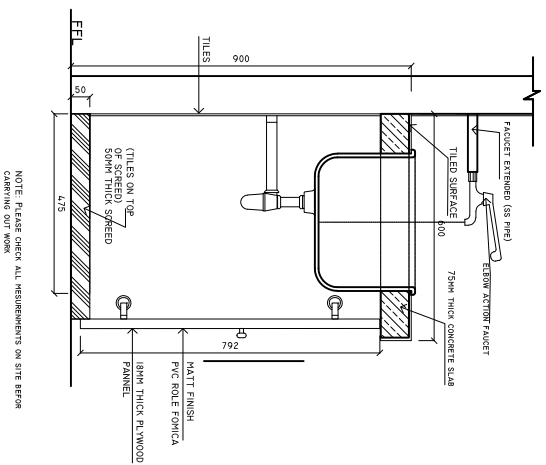
SCALE: 1 : 20



NOTE: PLEASE CHECK ALL MEASUREMENTS ON SITE BEFORE CARRYING OUT WORK

SINK CUPBOARD SECTION A-A

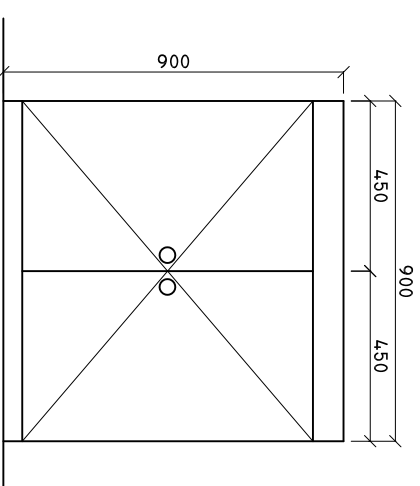
SCALE: 1 : 20



SINK CUPBOARD

DETAIL B-B

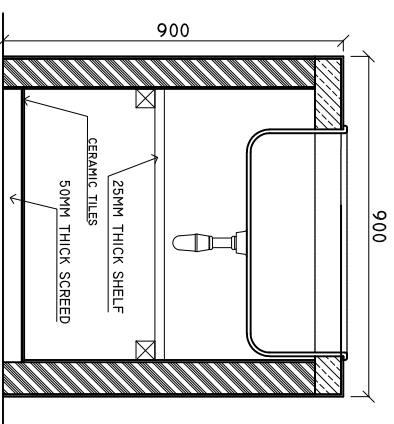
SCALE: 1 : 20



NOTE: PLEASE CHECK ALL MEASUREMENTS ON SITE BEFORE CARRYING OUT WORK

SINK CUPBOARD ELEVATION

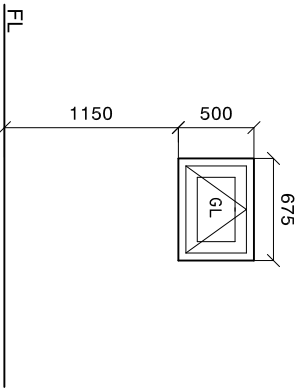
SCALE: 1 : 20



SINK CUPBOARD DETAIL A-A

SCALE: 1 : 20

V3



GROUND FLOOR

00 NOS

ALUMINUM FRAME DOOR

ALUMINUM 60-80 MICRON POWDER COATING

ALUMINUM IN 60-80 MICRON POWDER COATING

STAINLESS STEEL

STATE MAKE

ALL MEASUREMENTS TO BE CHECKED ON SITE