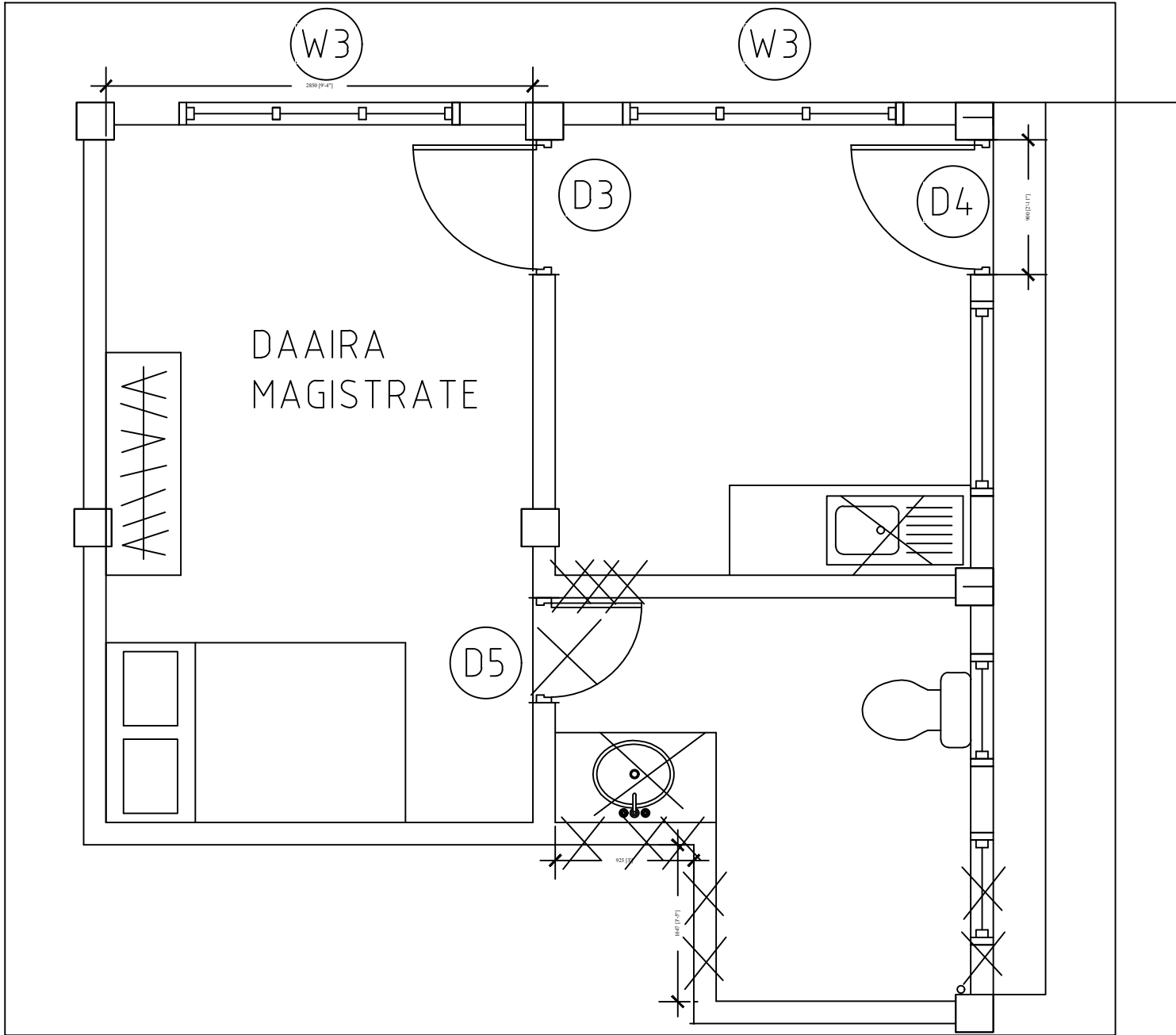


1.22 04 700 450 875 03

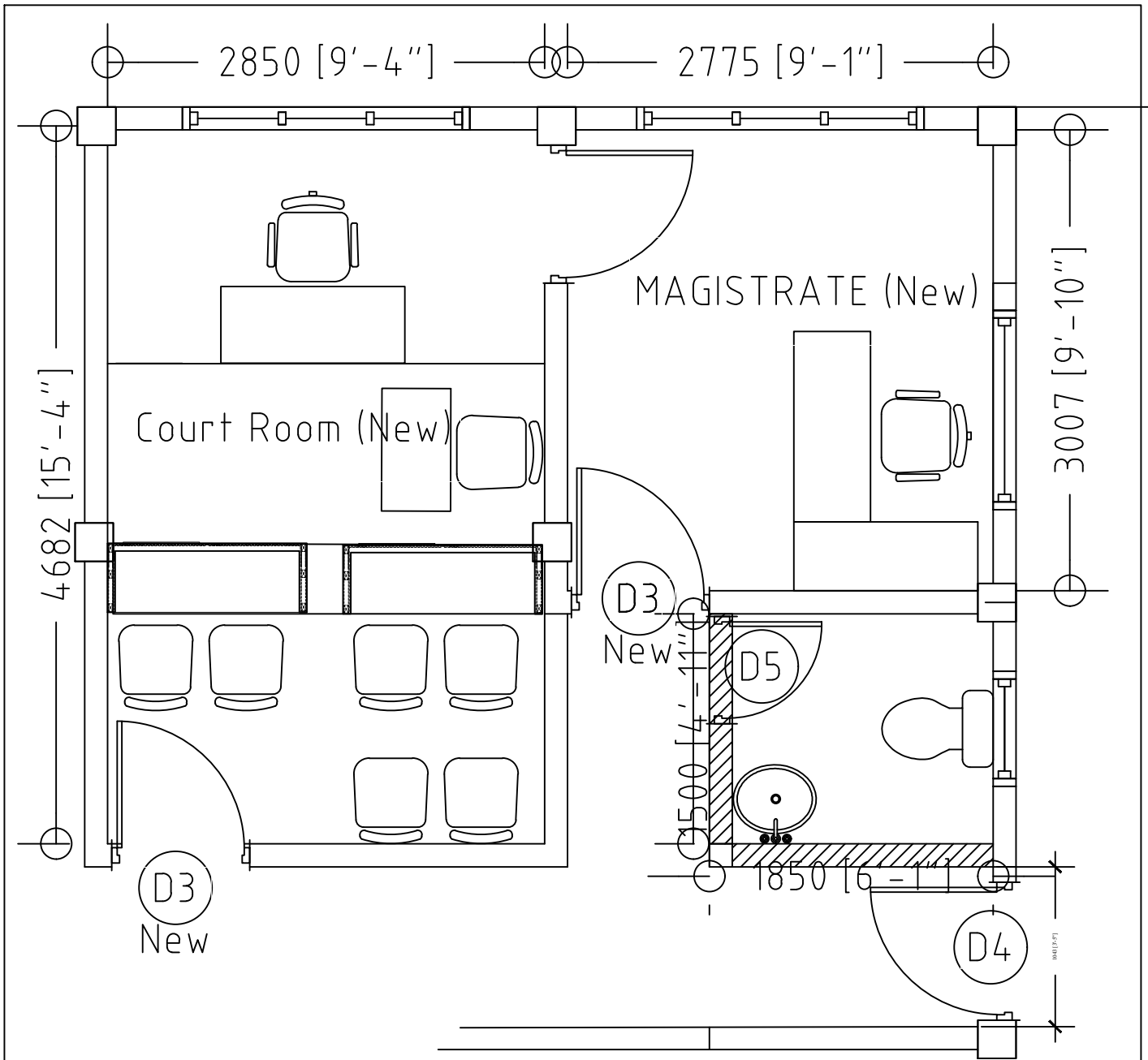
1.23 1.24 1.25 1.26

2. 2.1 2.2

2.1 2.2



✕ Thalhanjehey Faaraai, Naganjehey thakethi

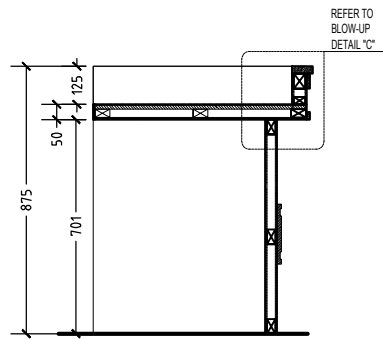


 Rananjehey Faaru

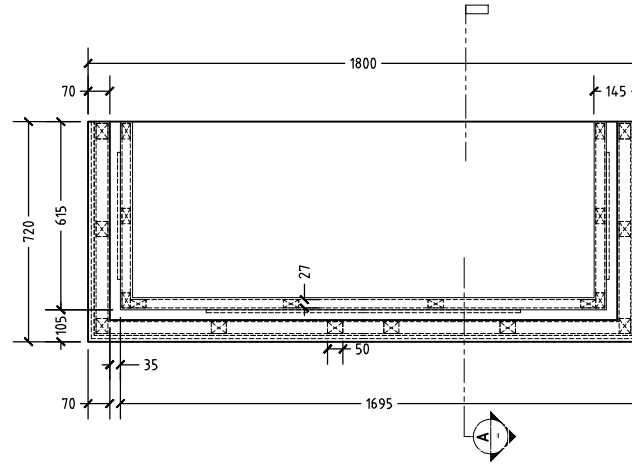
 D3
New Alah Harukuranjehey Dhoru

 D5 Hurithan Badhalhu Kuraa Dhoru

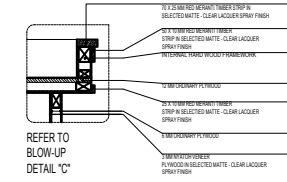
 D4 Hurithan Badhalhu Kuraa Dhoru



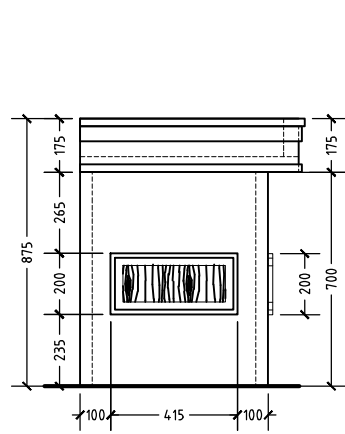
SECTION "A "



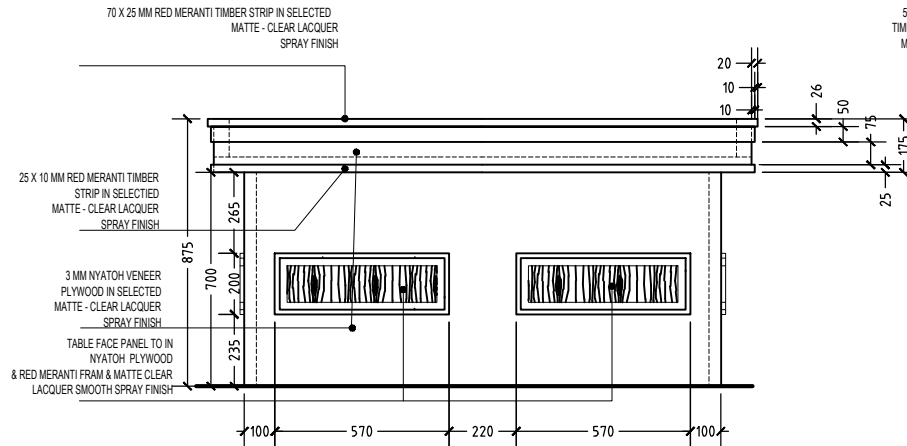
PLAN VIEW



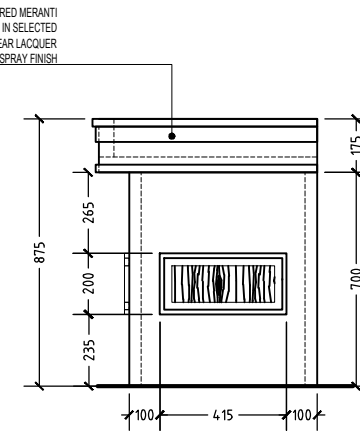
REFER TO BLOW-UP DETAIL "C"



LEFT SIDE ELEVATION



FRONT ELEVATION



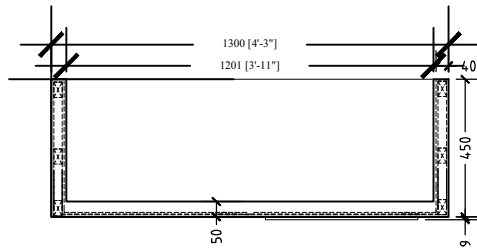
RIGHT SIDE ELEVATION

JUDGE PANEL TABLE
TABLE DETAILS
 AR
 1 5
 SCALE 1:25M.

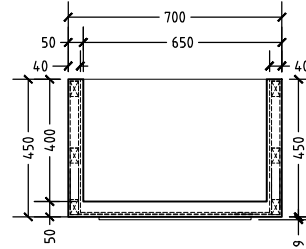
NOTE:

ALL TIMBERS WHICH ARE USED FOR THE STANDARD EXTERNAL FRAMEWORK TO BE APPLIED WITH SOLIGNUM TIMBER TREATMENT CHEMICAL OR EQUIVALENT, 24 HOURS BEFORE USING ON THE FRAMEWORK.

ALL SIDES TO BE FINISHED WITH NATURAL VENEER OF THE SAME WOOD USED ON THE RESPECTIVE PART OF THE FURNITURE.



WITNESS / LAWYER TABLE
SECTION "B" of PLAN "R"



COURT OFFICER TABLE
SECTION "B" of PLAN "R"

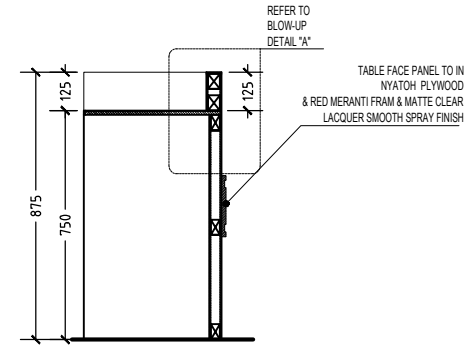
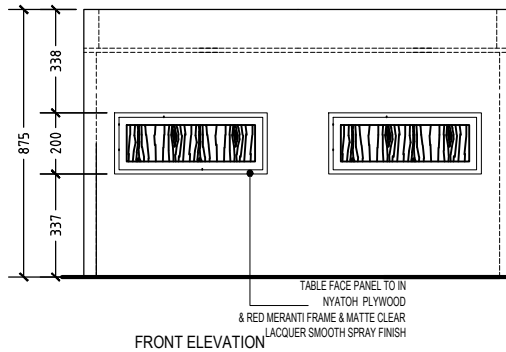
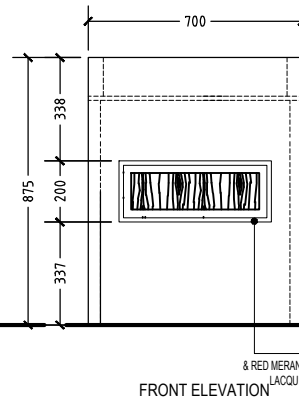


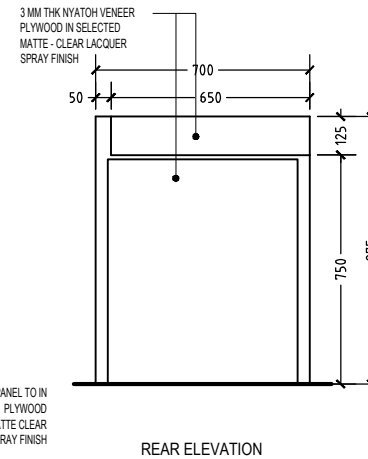
TABLE
SECTION "B" of PLAN "R"



FRONT ELEVATION



FRONT ELEVATION



REAR ELEVATION

NOTE:

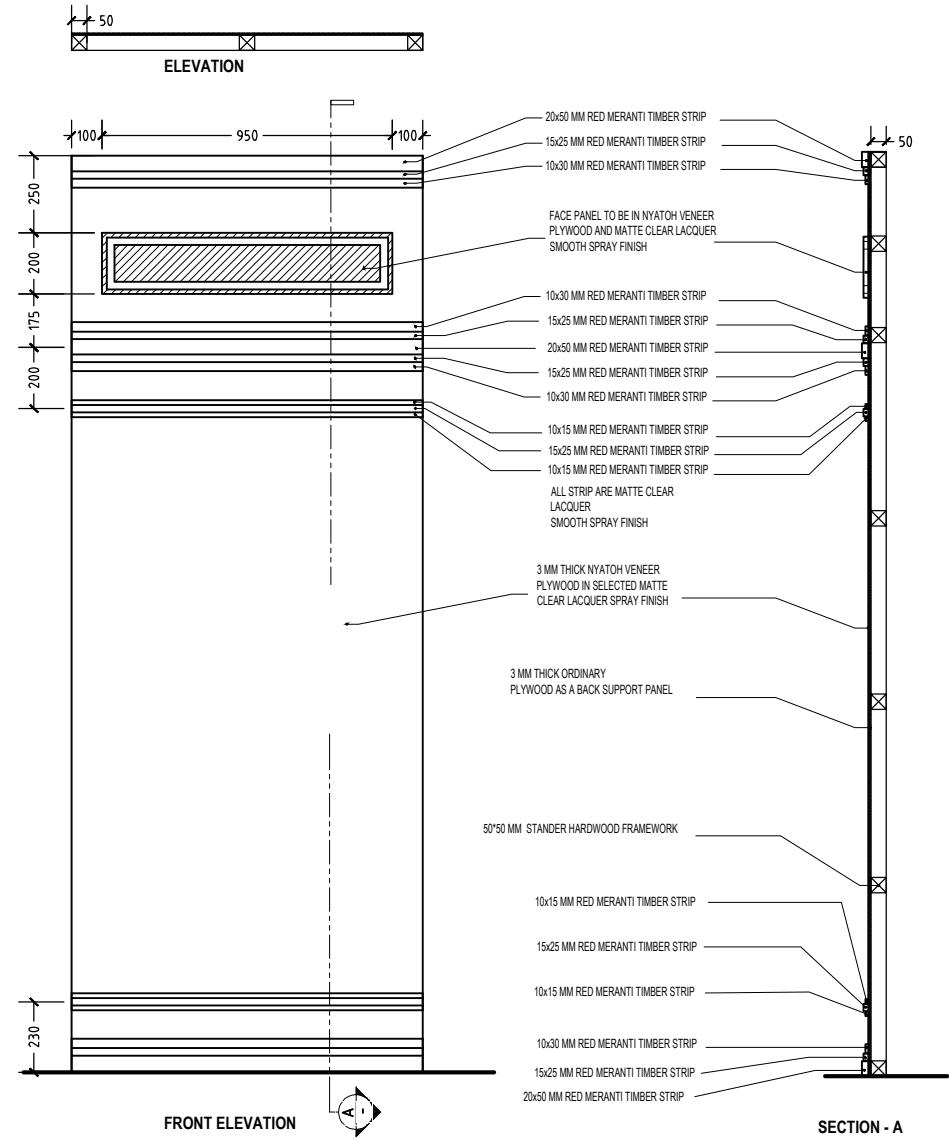
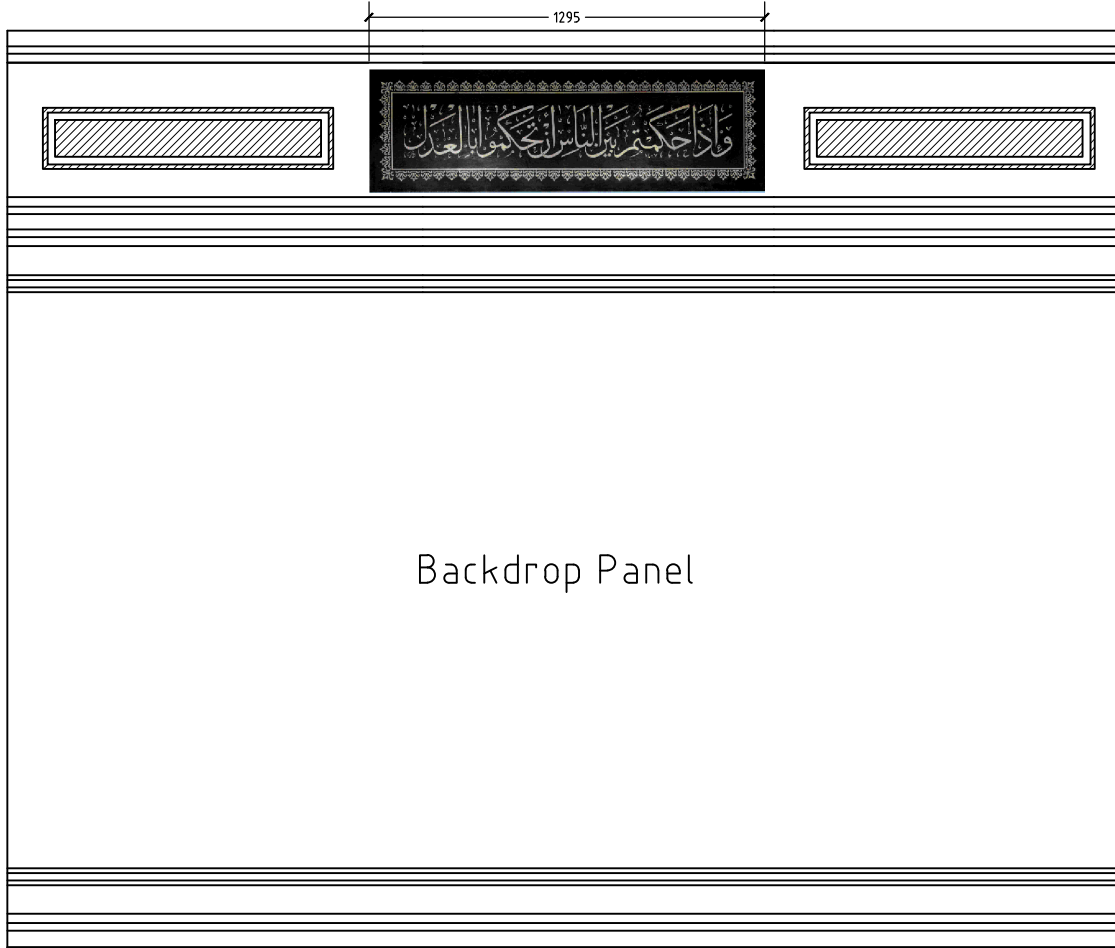
ALL TIMBERS WHICH ARE USED FOR THE STANDARD EXTERNAL FRAMEWORK TO BE APPLIED WITH SOLIGNUM TIMBER TREATMENT CHEMICAL OR EQUIVALENT, 24 HOURS BEFORE USING ON THE FRAMEWORK.

ALL SIDES TO BE FINISHED WITH NATURAL VENEER OF THE SAME WOOD USED ON THE RESPECTIVE PART OF THE FURNITURE.

REGISTRARS/LAWYER'S/WITNESS' TABLE

AR
3 | 5
SCALE 1:25M.

TABLE DETAILS



| | | |
|--|----|-------------------------------|
| | 10 | دېرژنې سېجې 1.23 ډېرژنې سېجې: |
| | 11 | دېرژنې سېجې 1.24 ډېرژنې سېجې: |
| | 12 | دېرژنې سېجې 1.25 ډېرژنې سېجې: |
| | 13 | دېرژنې سېجې 1.26 ډېرژنې سېجې: |
| | | ډېرژنې سېجې: |

د ډېرژنې سېجې د ډېرژنې سېجې، د ډېرژنې سېجې د ډېرژنې سېجې.

ډېرژنې سېجې:

- د ډېرژنې سېجې د ډېرژنې سېجې:

ډېرژنې سېجې:

ډېرژنې سېجې:

ډېرژنې سېجې:

ډېرژنې سېجې:

ډېرژنې سېجې:

ډېرژنې سېجې:

ډېرژنې سېجې:

(د ډېرژنې سېجې سېجې)