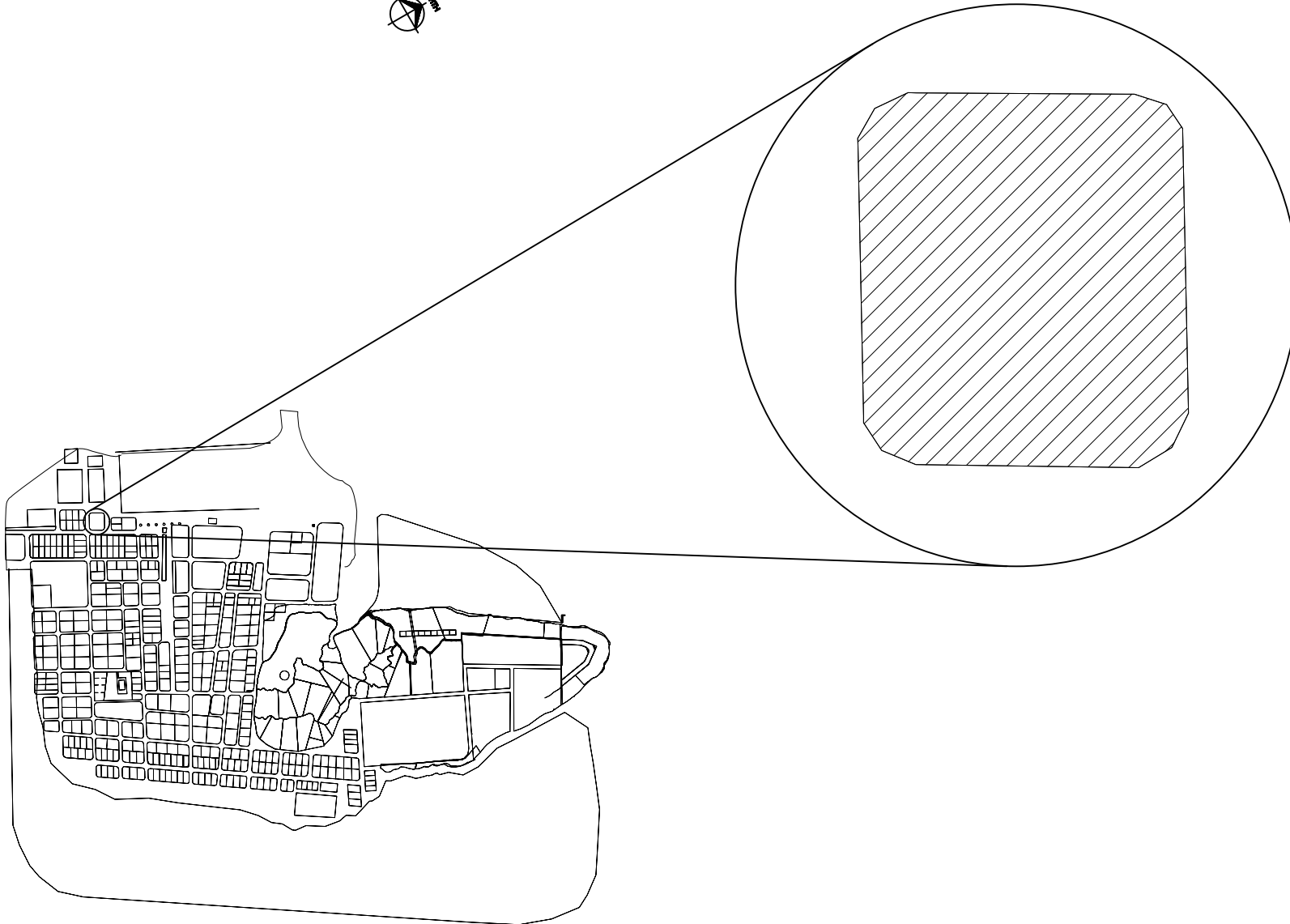


MAGISTATE COURT, K. HURAA
PROPOSED SINGLE STORY BUILDING
ARCHITECTURAL & STRUCTURAL DRAWINGS
26.01.2021
CLIENT: DEPARTMENT OF JUDICIAL ADMINISTRATION



LOCATION PLAN

NTS

<u>DRAWING TITLE</u>
LOCATION PLAN

<u>PROJECT TITLE</u>
MAGISTRATE COURT K. HURAA

<u>CLIENT</u>
DEPARTMENT OF JUDICIAL ADMINISTRATION

<u>DRAFTED BY</u>
MOHAMED ZAHIR

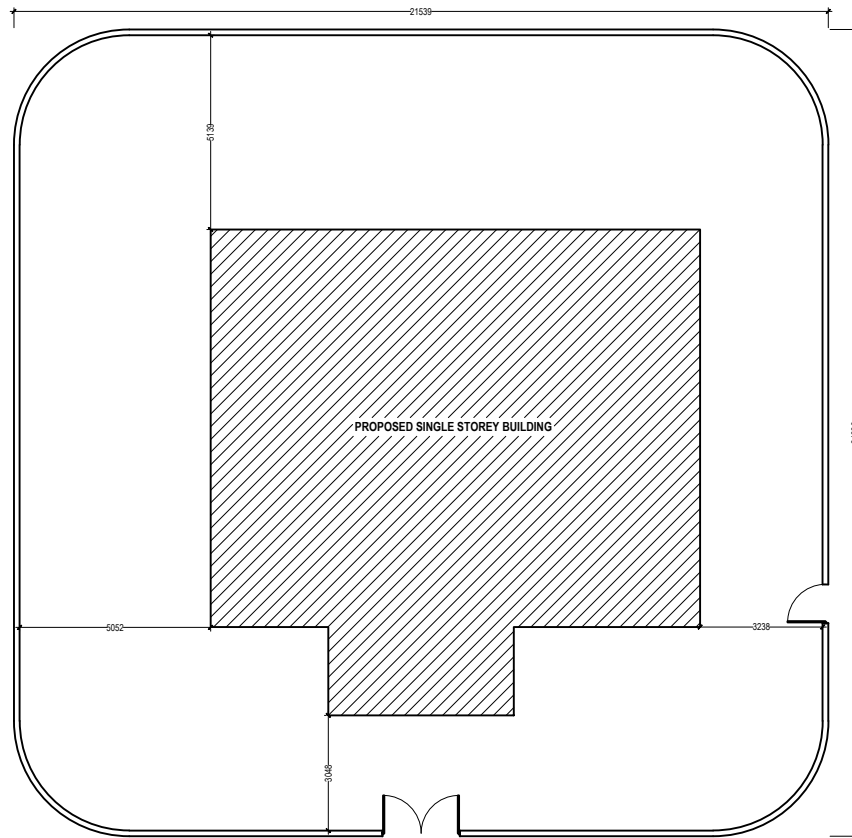
<u>ARCHITECT</u>

<u>ARC. CHECKER</u>

<u>STRUCTURAL ENGINEER</u>

<u>STRUCTURAL CHECKER</u>

<u>DATE</u>	26/01/2021
-----	-----
<u>PAPER SIZE</u>	A4
-----	-----
<u>SCALE</u>	AS GIVEN
-----	-----
<u>UNIT</u>	MM

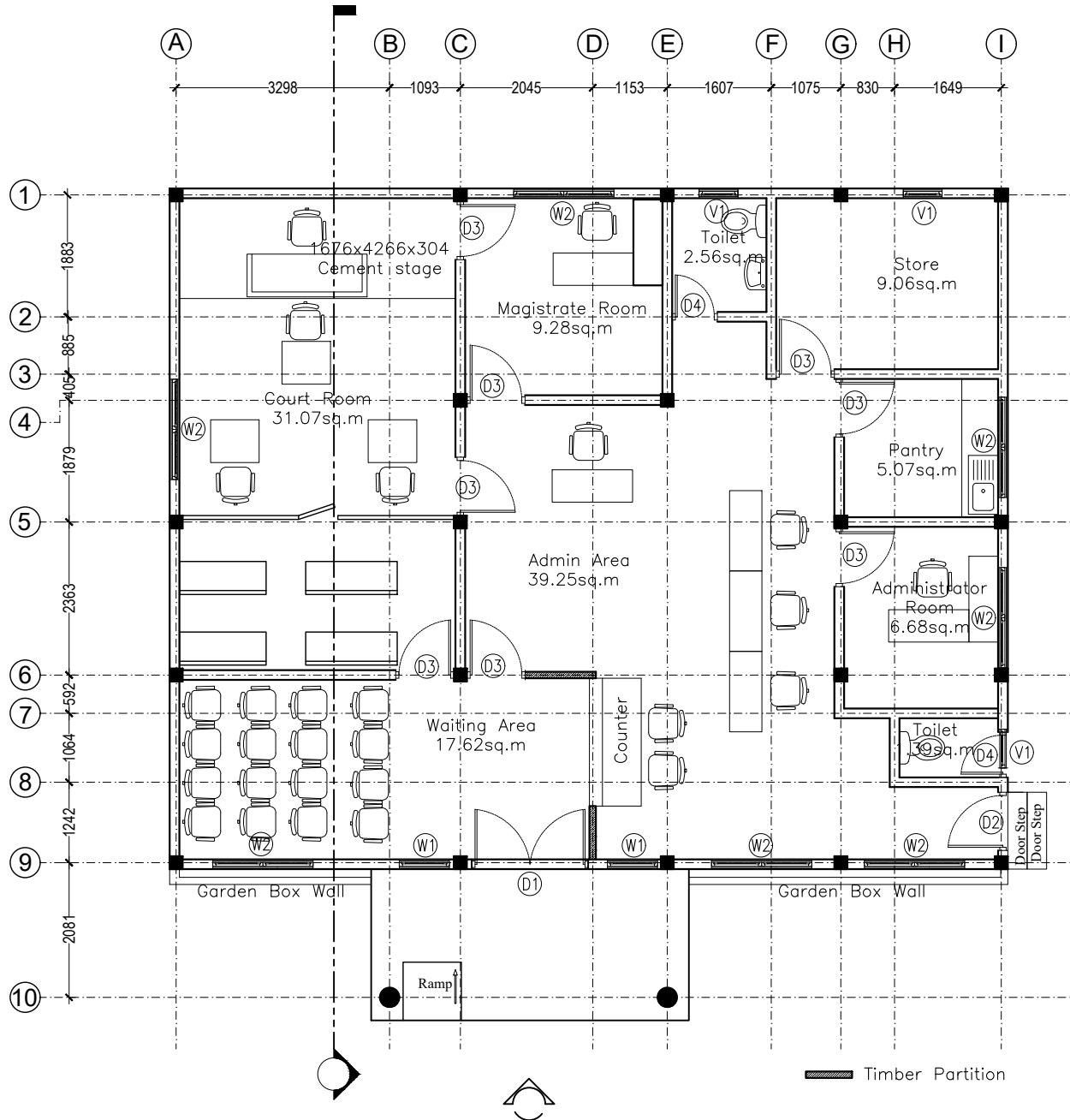


SITE PLAN PLAN
SCALE 1:150

DRAWING TITLE	
SITE PLAN	
PROJECT TITLE	
MAGISTRATE COURT K. HURAA	
CLIENT	
DEPARTMENT OF JUDICIAL ADMINISTRATION	
DRAFTED BY	
MOHAMED ZAHIR	

ARCHITECT	
ARC. CHECKER	
STRUCTURAL ENGINEER	
STRUCTURAL CHECKER	

DATE	26/01/2021
PAPER SIZE	A4
SCALE	AS GIVEN
UNIT	MM



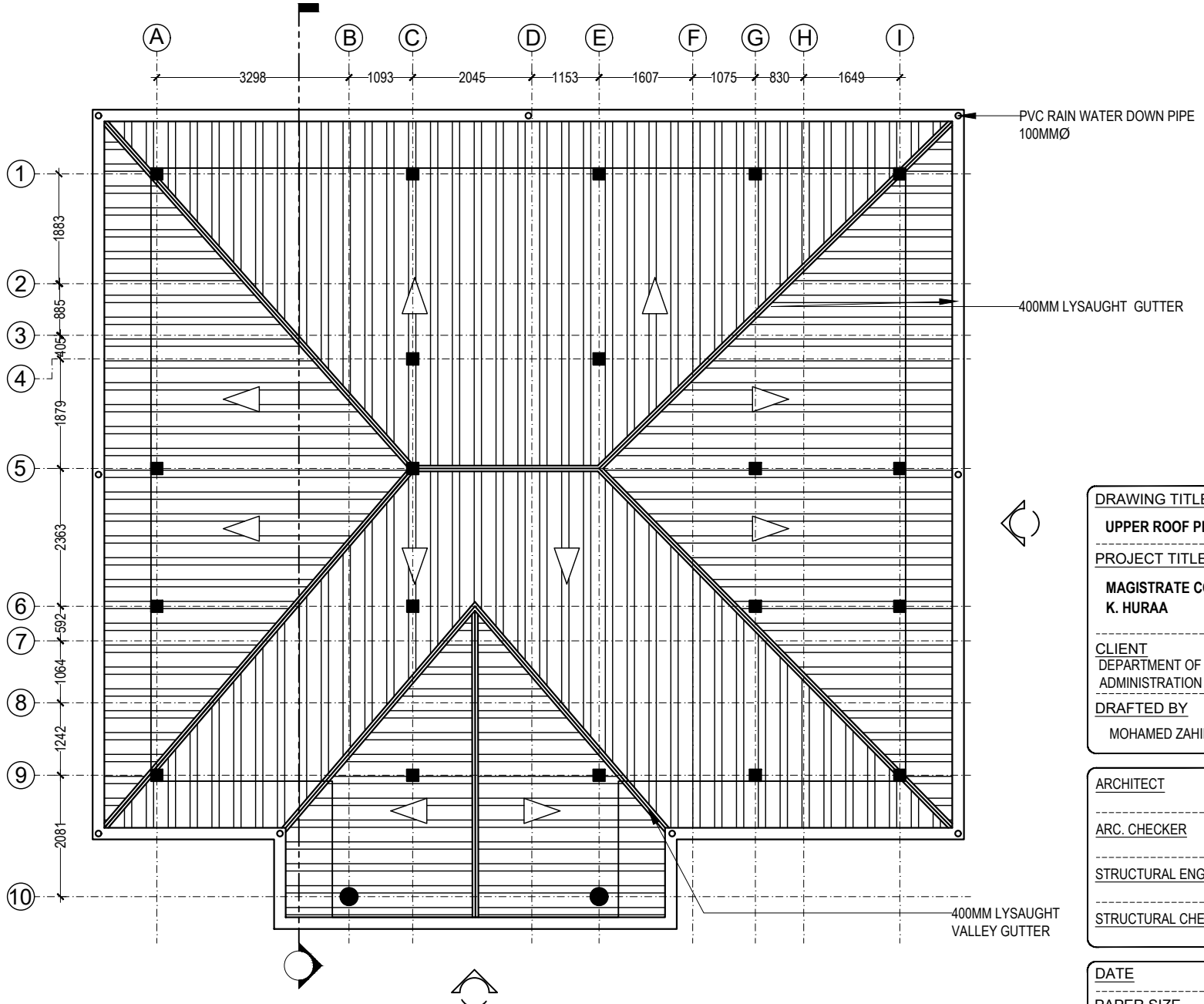
FLOOR PLAN
SCALE 1:100

DRAWING TITLE
FLOOR PLAN
PROJECT TITLE
MAGISTRATE COURT K. HURAA
CLIENT
DEPARTMENT OF JUDICIAL ADMINISTRATION
DRAFTED BY
MOHAMED ZAHIR

ARCHITECT
ARC. CHECKER
STRUCTURAL ENGINEER
STRUCTURAL CHECKER

DATE	26/01/2021
PAPER SIZE	A4
SCALE	AS GIVEN
UNIT	MM

Timber Partition



UPPER ROOF PLAN
SCALE 1:100

DRAWING TITLE
UPPER ROOF PLAN

PROJECT TITLE
**MAGISTRATE COURT
K. HURAA**

CLIENT
DEPARTMENT OF JUDICIAL
ADMINISTRATION

DRAFTED BY
MOHAMED ZAHIR

ARCHITECT

ARC. CHECKER

STRUCTURAL ENGINEER

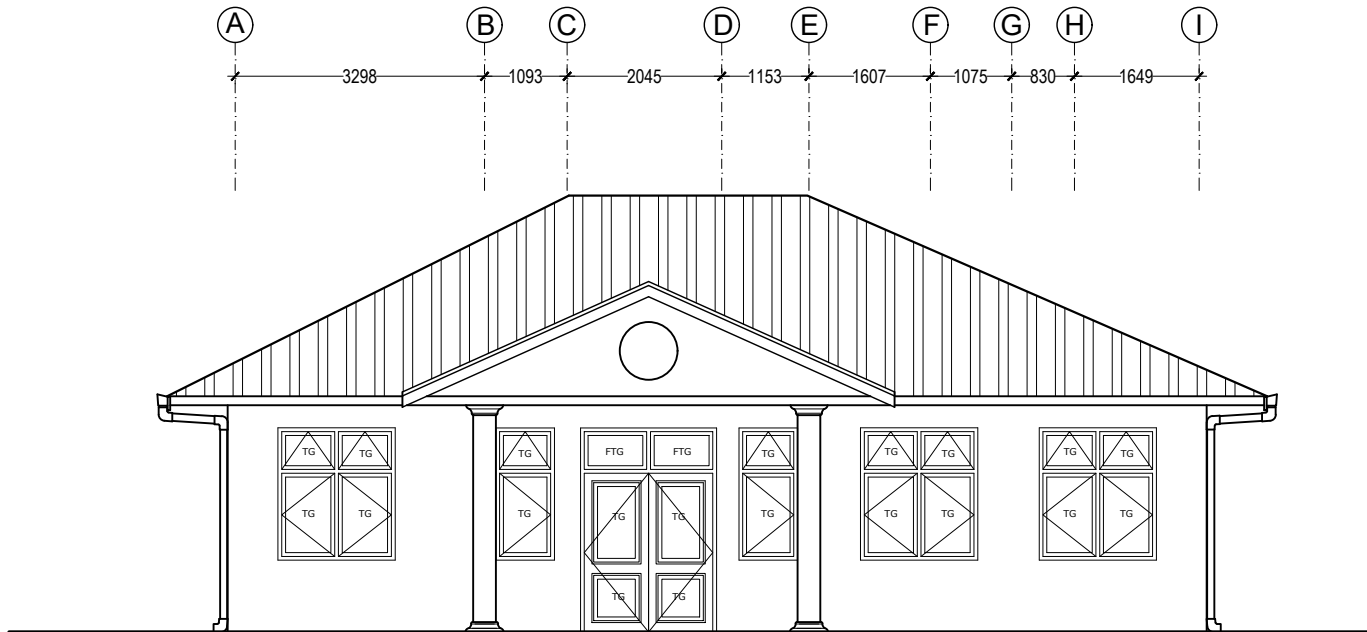
STRUCTURAL CHECKER

DATE 26/01/2021

PAPER SIZE A4

SCALE AS GIVEN

UNIT MM



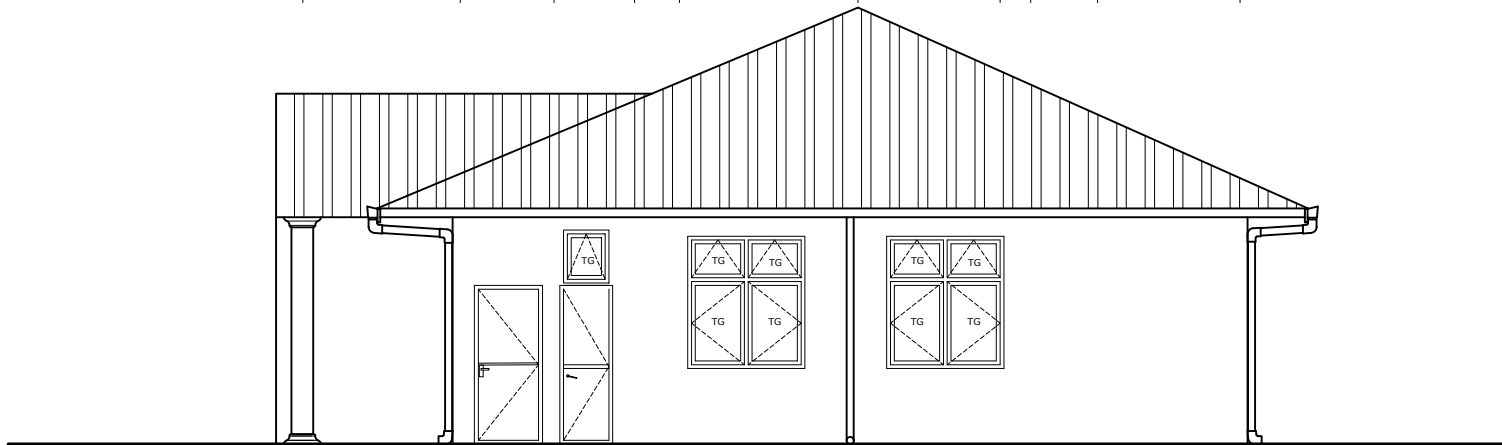
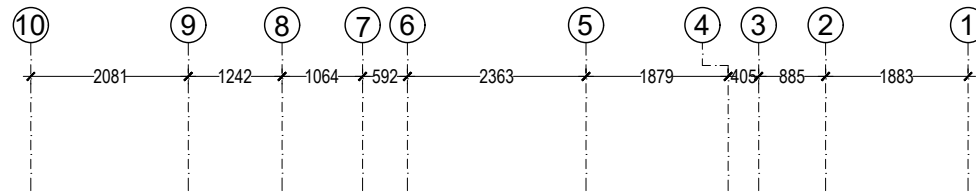
ELEVATION 01

SCALE 1:100

<u>DRAWING TITLE</u>	ELEVATION 01
<u>PROJECT TITLE</u>	MAGISTRATE COURT K. HURAA
<u>CLIENT</u>	DEPARTMENT OF JUDICIAL ADMINISTRATION
<u>DRAFTED BY</u>	MOHAMED ZAHIR

<u>ARCHITECT</u>	
<u>ARC. CHECKER</u>	
<u>STRUCTURAL ENGINEER</u>	
<u>STRUCTURAL CHECKER</u>	

<u>DATE</u>	26/01/2021
<u>PAPER SIZE</u>	A4
<u>SCALE</u>	AS GIVEN
<u>UNIT</u>	MM



DRAWING TITLE
ELEVATION 02

PROJECT TITLE
MAGISTRATE COURT
K. HURAA

CLIENT
 DEPARTMENT OF JUDICIAL
 ADMINISTRATION

DRAFTED BY
 MOHAMED ZAHIR

ARCHITECT

ARC. CHECKER

STRUCTURAL ENGINEER

STRUCTURAL CHECKER

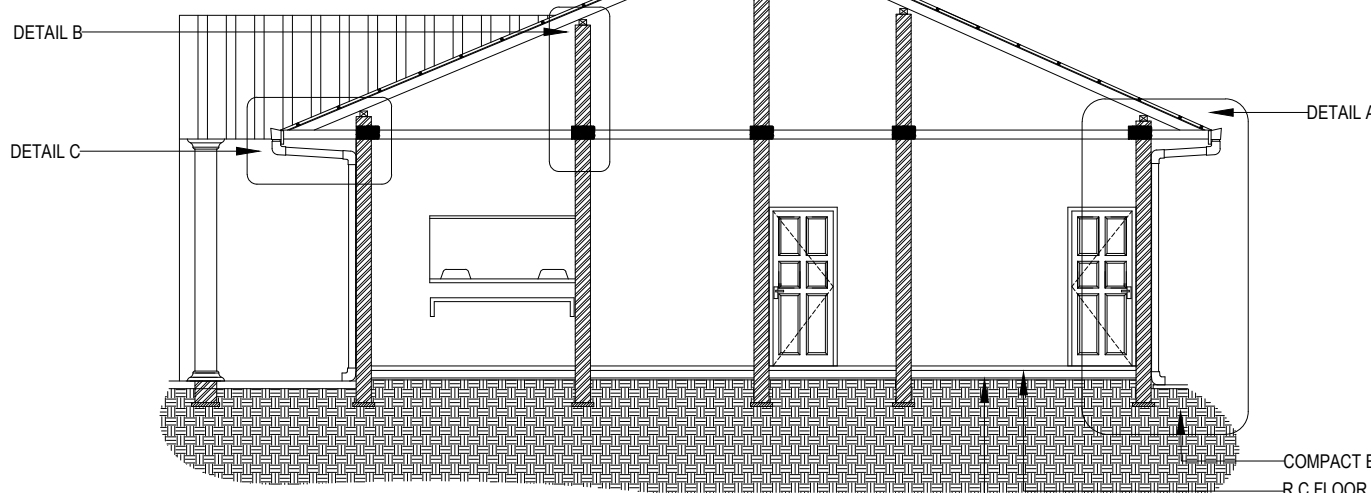
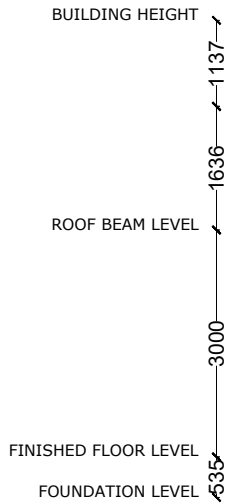
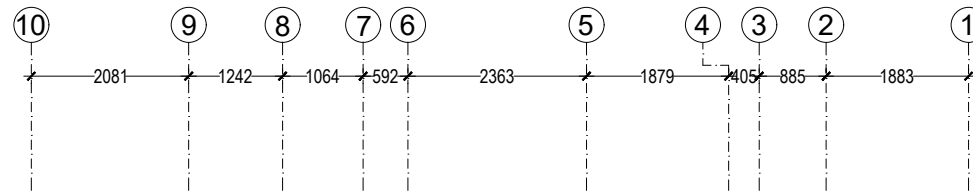
DATE 26/01/2021

PAPER SIZE A4

SCALE AS GIVEN

UNIT MM

ELEVATION 02
 SCALE 1:100



COMPACT EARTH
 R.C FLOOR SLAB 100MM THICK.
 T10@250BW SINGLE LAYER
 APPROVED DPM

DRAWING TITLE
SECTION XX

PROJECT TITLE
MAGISTRATE COURT
K. HURAA

CLIENT
 DEPARTMENT OF JUDICIAL
 ADMINISTRATION

DRAFTED BY
 MOHAMED ZAHIR

ARCHITECT

ARC. CHECKER

STRUCTURAL ENGINEER

STRUCTURAL CHECKER

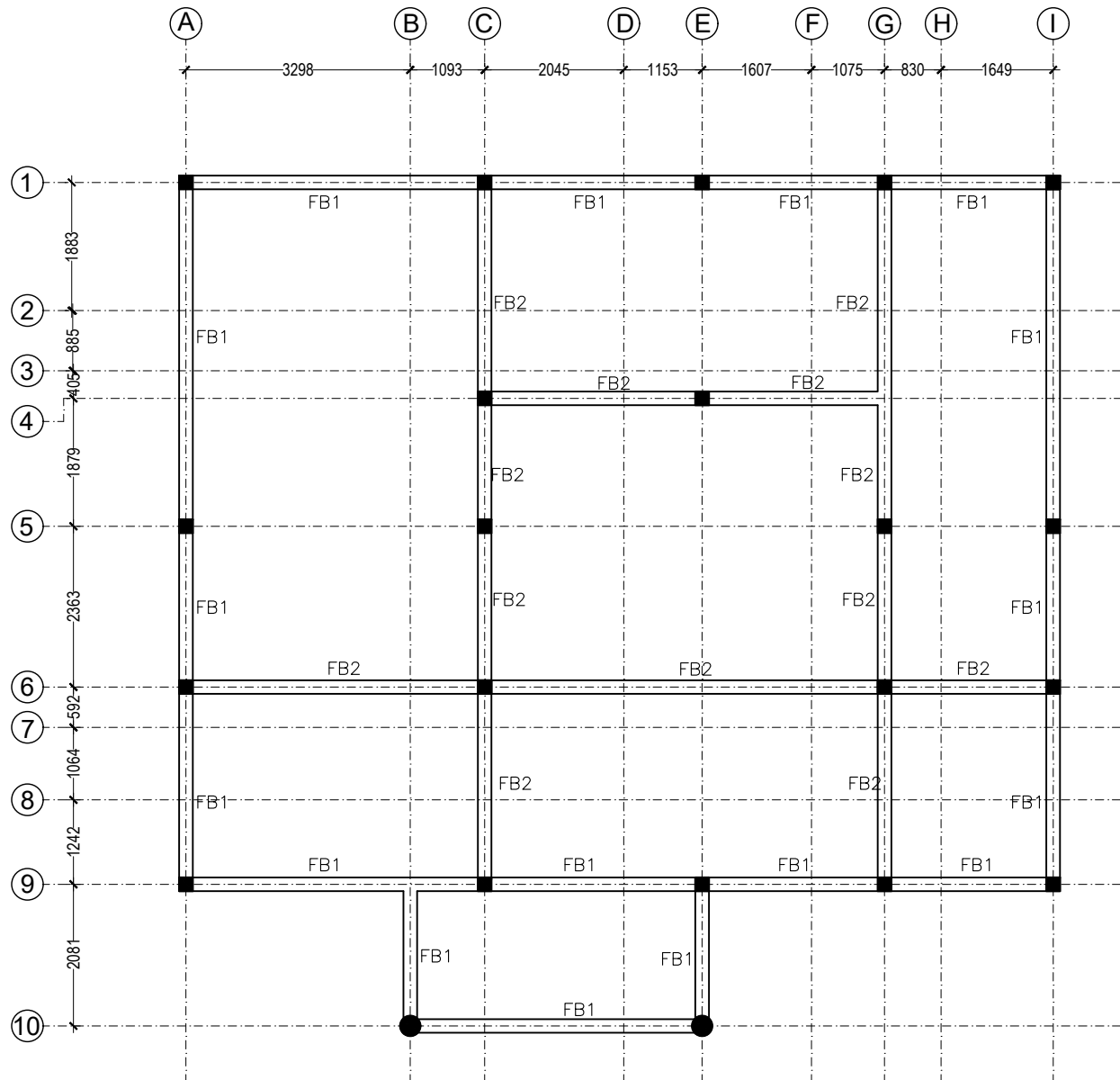
DATE 26/01/2021

PAPER SIZE A4

SCALE AS GIVEN

UNIT MM

SECTION XX
 SCALE 1:100



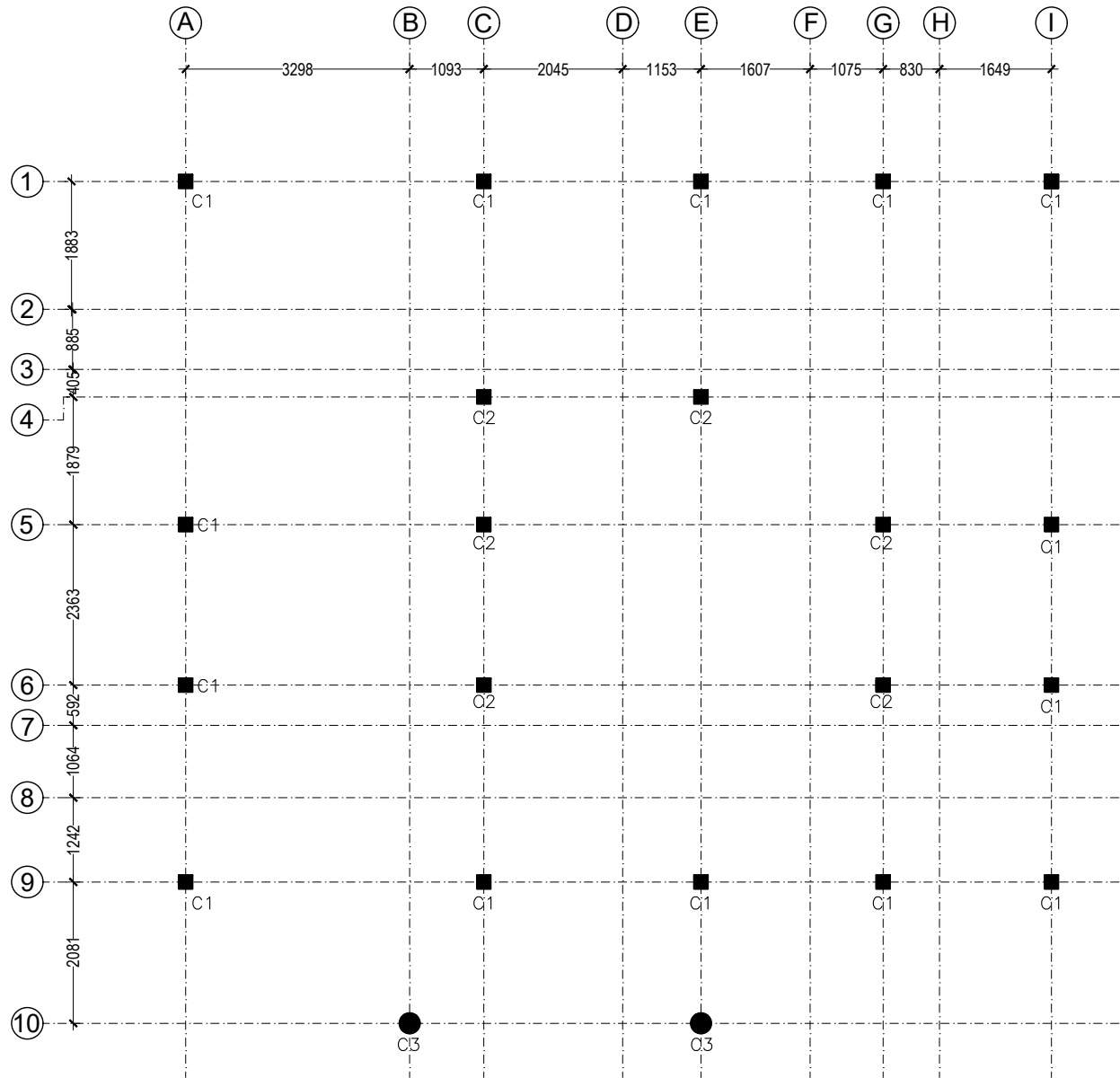
FOUNDATION PLAN

SCALE 1:100

<u>DRAWING TITLE</u>	
FOUNDATION PLAN	
<u>PROJECT TITLE</u>	
MAGISTRATE COURT K. HURAA	
<u>CLIENT</u>	
DEPARTMENT OF JUDICIAL ADMINISTRATION	
<u>DRAFTED BY</u>	
MOHAMED ZAHIR	

<u>ARCHITECT</u>	
<u>ARC. CHECKER</u>	
<u>STRUCTURAL ENGINEER</u>	
<u>STRUCTURAL CHECKER</u>	

<u>DATE</u>	26/01/2021
<u>PAPER SIZE</u>	A4
<u>SCALE</u>	AS GIVEN
<u>UNIT</u>	MM



COLUMN LOCATION PLAN

SCALE 1:100

DRAWING TITLE
COLUMN LOCATION PLAN

PROJECT TITLE
**MAGISTRATE COURT
 K. HURAA**

CLIENT
 DEPARTMENT OF JUDICIAL
 ADMINISTRATION

DRAFTED BY
 MOHAMED ZAHIR

ARCHITECT

ARC. CHECKER

STRUCTURAL ENGINEER

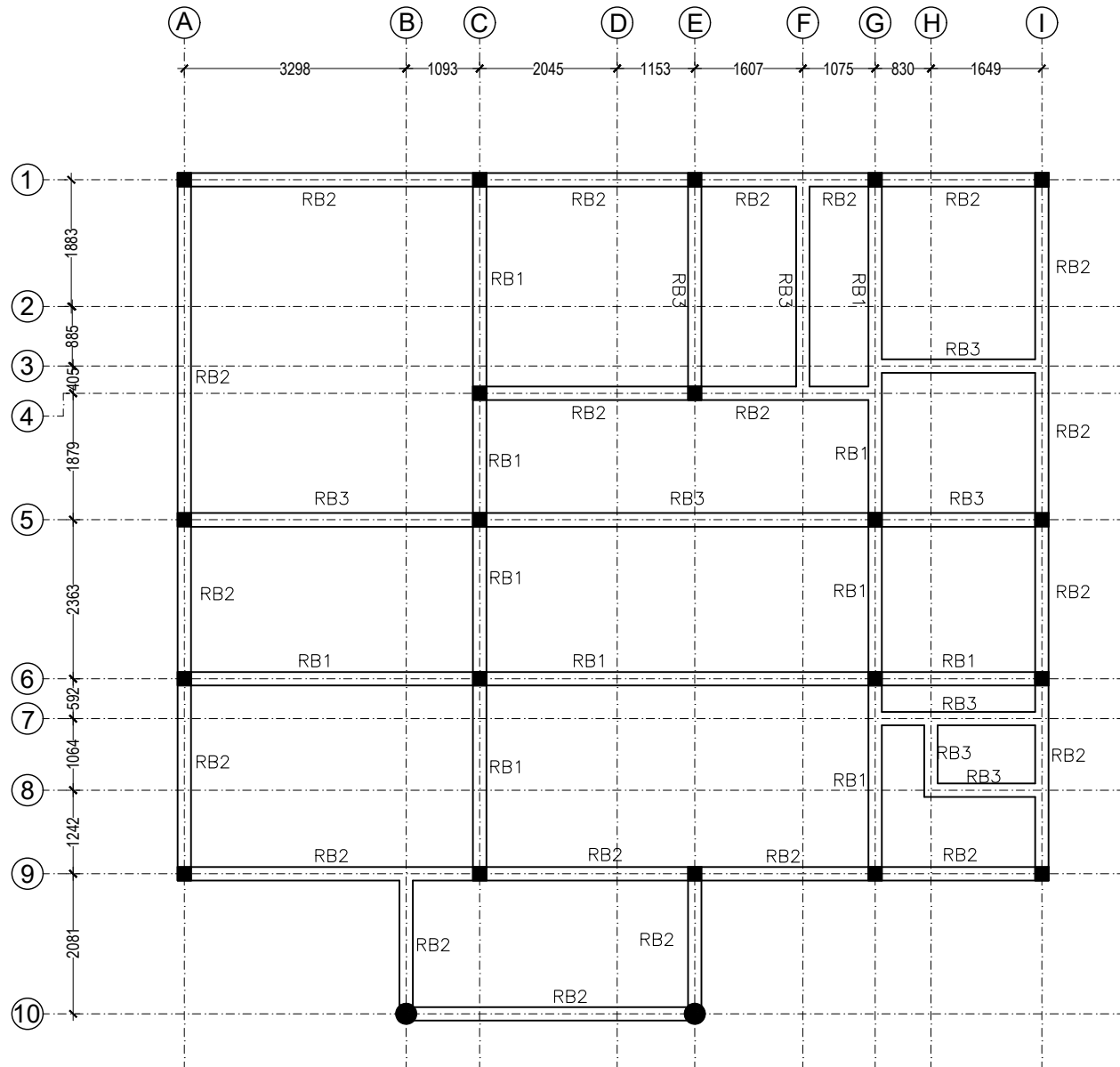
STRUCTURAL CHECKER

DATE 26/01/2021

PAPER SIZE A4

SCALE AS GIVEN

UNIT MM



ROOF BEAM PLAN

SCALE 1:100

DRAWING TITLE
ROOF BEAM PLAN
PROJECT TITLE
MAGISTRATE COURT K. HURAA
CLIENT
DEPARTMENT OF JUDICIAL ADMINISTRATION
DRAFTED BY
MOHAMED ZAHIR

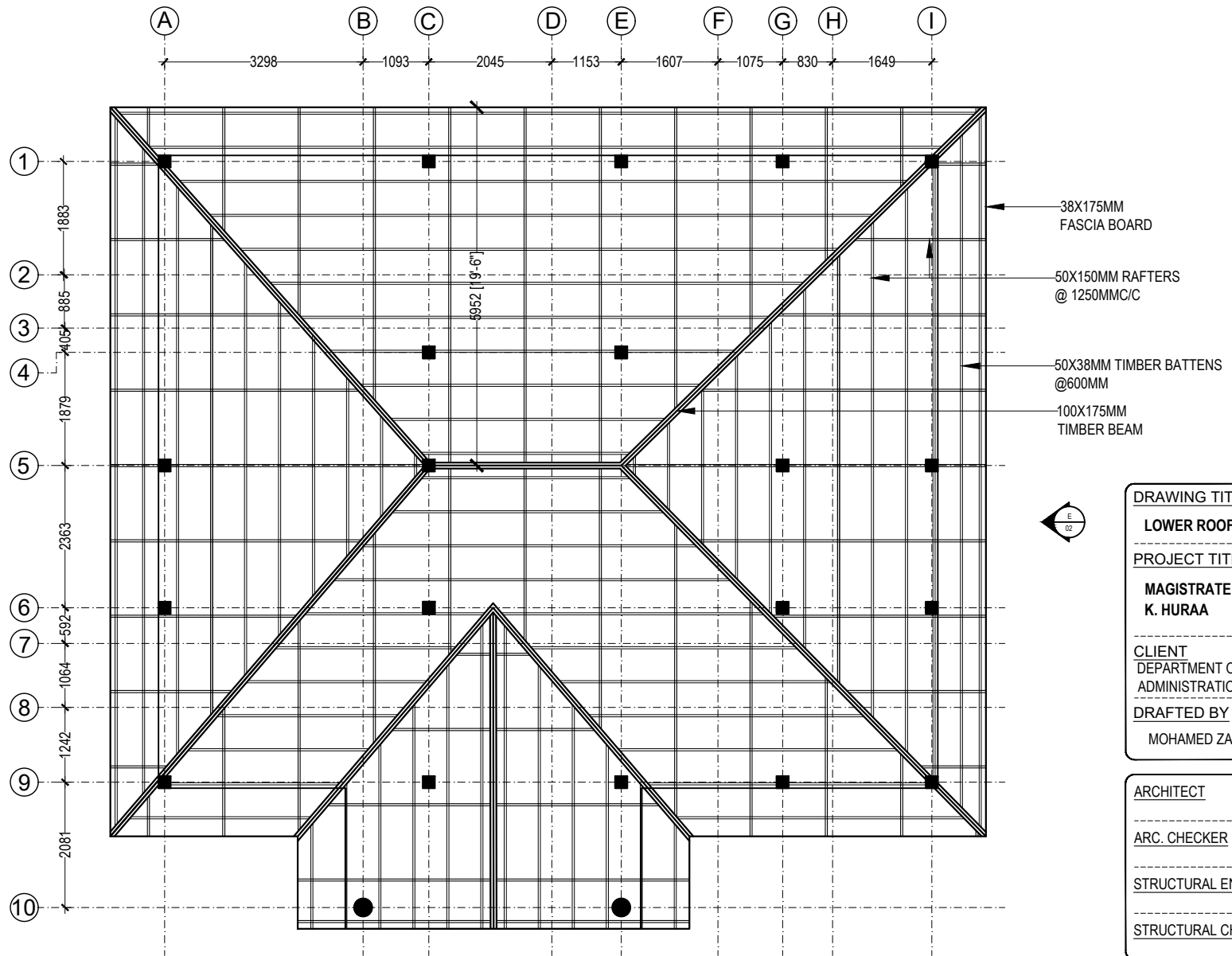
ARCHITECT

ARC. CHECKER

STRUCTURAL ENGINEER

STRUCTURAL CHECKER

DATE	26/01/2021
PAPER SIZE	A4
SCALE	AS GIVEN
UNIT	MM

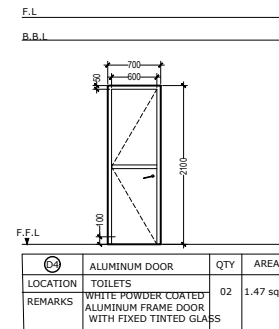
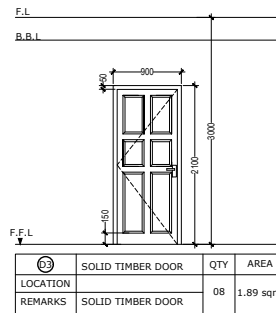
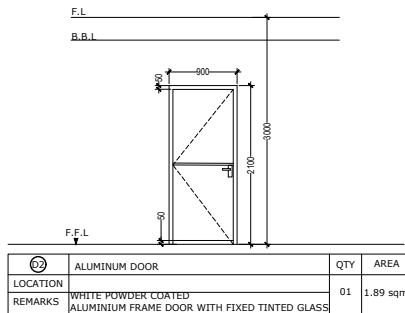
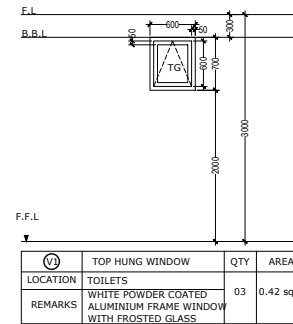
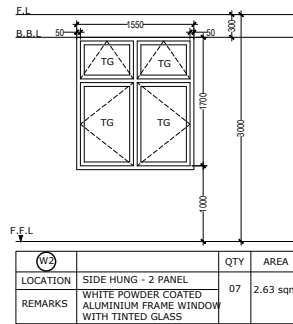
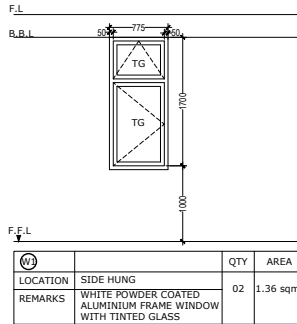
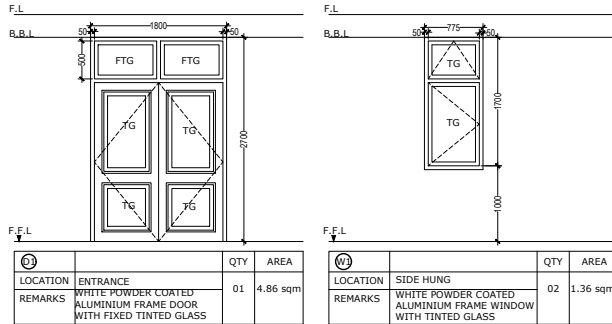


LOWER ROOF PLAN
SCALE 1:100

DRAWING TITLE	LOWER ROOF PLAN
PROJECT TITLE	MAGISTRATE COURT K. HURAA
CLIENT	DEPARTMENT OF JUDICIAL ADMINISTRATION
DRAFTED BY	MOHAMED ZAHIR

ARCHITECT	
ARC. CHECKER	
STRUCTURAL ENGINEER	
STRUCTURAL CHECKER	

DATE	26/01/2021
PAPER SIZE	A4
SCALE	AS GIVEN
UNIT	MM



DRAWING TITLE
DOOR & WINDOW SCHEDULE

PROJECT TITLE
MAGISTRATE COURT
K. HURAA

CLIENT
 DEPARTMENT OF JUDICIAL
 ADMINISTRATION

DRAFTED BY
 MOHAMED ZAHIR

ARCHITECT

ARC. CHECKER

STRUCTURAL ENGINEER

STRUCTURAL CHECKER

DATE 26/01/2021

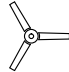

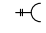
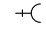
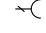
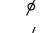
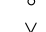

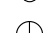



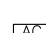
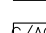
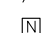


PAPER SIZE A4

SCALE AS GIVEN

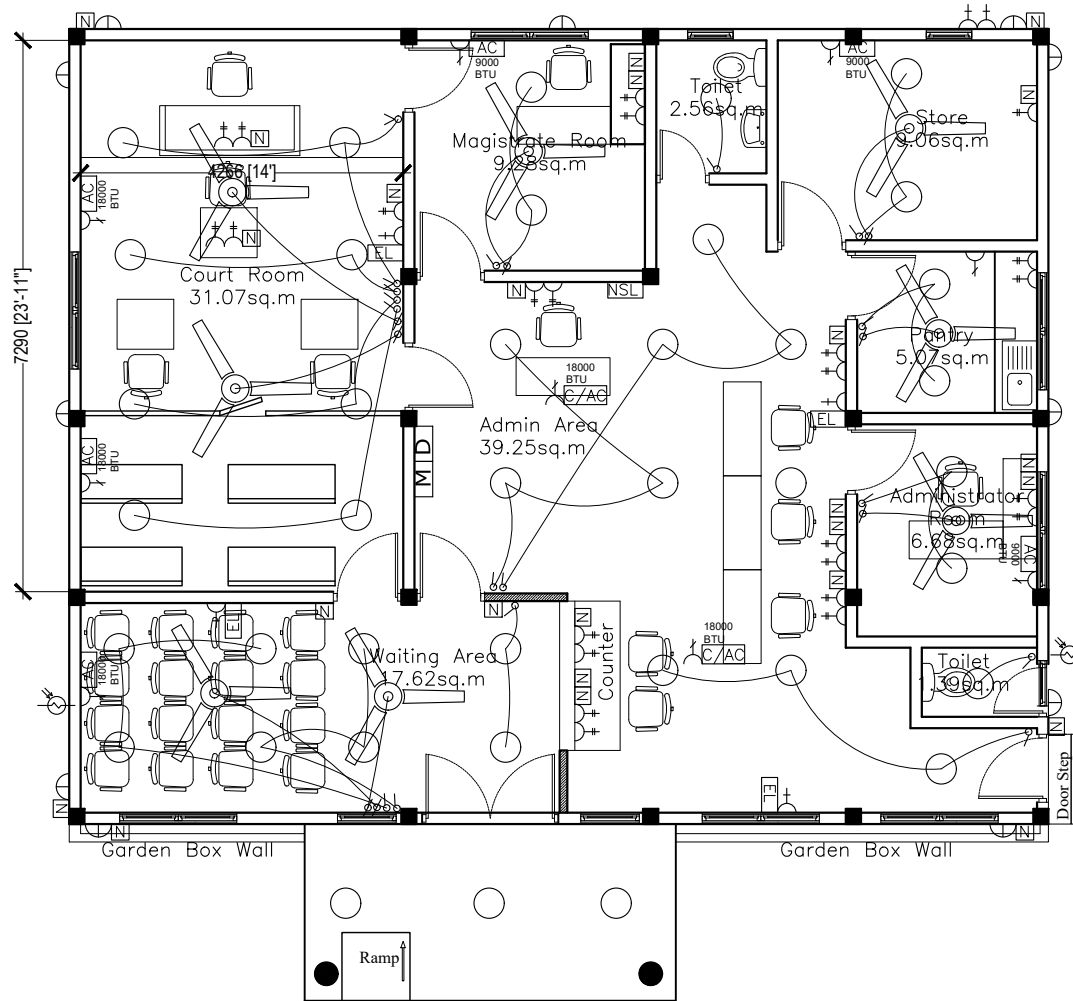
UNIT MM

DOOR & WINDOW SCHEDULE
 SCALE 1:100

LEGEND

-  Fan
-  Ceiling mount let light 24W
-  Socket 2x13A
-  Socket 13A
-  Socket 15A
-  Fan Dimmer Switch
-  Switch one way
-  Switch two way
-  Photocell switch
-  Wall mount water proof light
-  D-Board
-  Main Board
-  Emergency light (2Hrs)
-  Wall mount Air condition
-  Ceiling mount Air condition
-  Network
-  Network Switch Location

Note:
 -All the sockets for a/c and emergency lights at 300mm below the ceiling level and the rest at 400mm above floor level
 Switches at the height of 1200mm
 -Wall mount lights at 300 below ceiling level



DRAWING TITLE
 ELECTRICAL LAYOUT

PROJECT TITLE
 MAGISTRATE COURT
 K. HURAA

CLIENT
 DEPARTMENT OF JUDICIAL
 ADMINISTRATION

DRAFTED BY
 MOHAMED ZAHIR

ARCHITECT

ARC. CHECKER

STRUCTURAL ENGINEER

STRUCTURAL CHECKER

DATE 26/01/2021

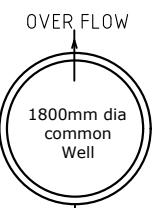
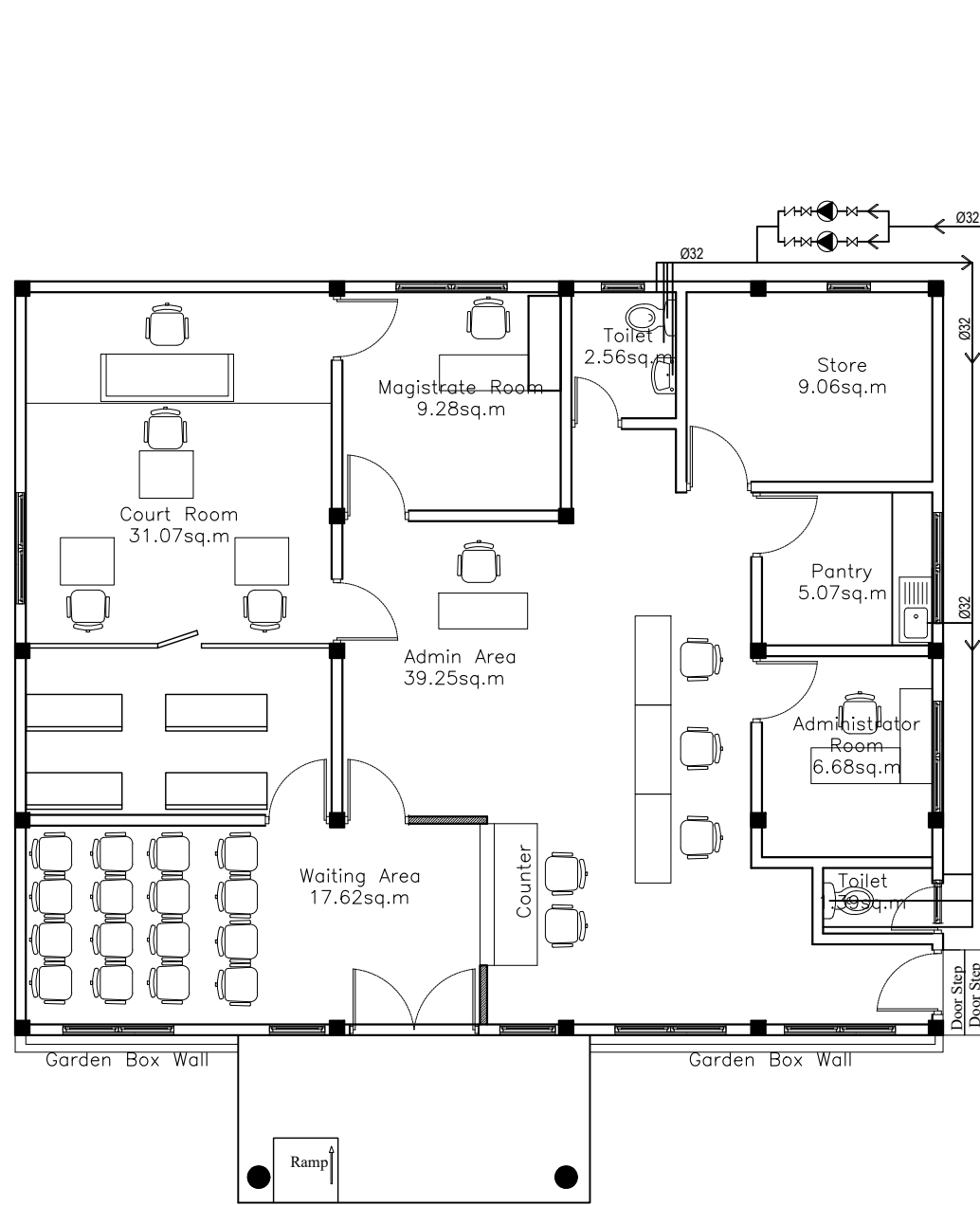
PAPER SIZE A4

SCALE AS GIVEN

UNIT MM

SCHEMATIC ELECTRICAL LAYOUT

SCALE 1:100



GROUND WATER WELL
1800mm DIA, 14.0mm THK.
T10@200 BW SINGLE LAYER
DEPTH DECIDED ON SITE

DRAWING TITLE
GROUND WATER SUPPLY LAYOUT

PROJECT TITLE
MAGISTRATE COURT
K. HURAA

CLIENT
DEPARTMENT OF JUDICIAL
ADMINISTRATION

DRAFTED BY
MOHAMED ZAHIR

ARCHITECT

ARC. CHECKER

STRUCTURAL ENGINEER

STRUCTURAL CHECKER

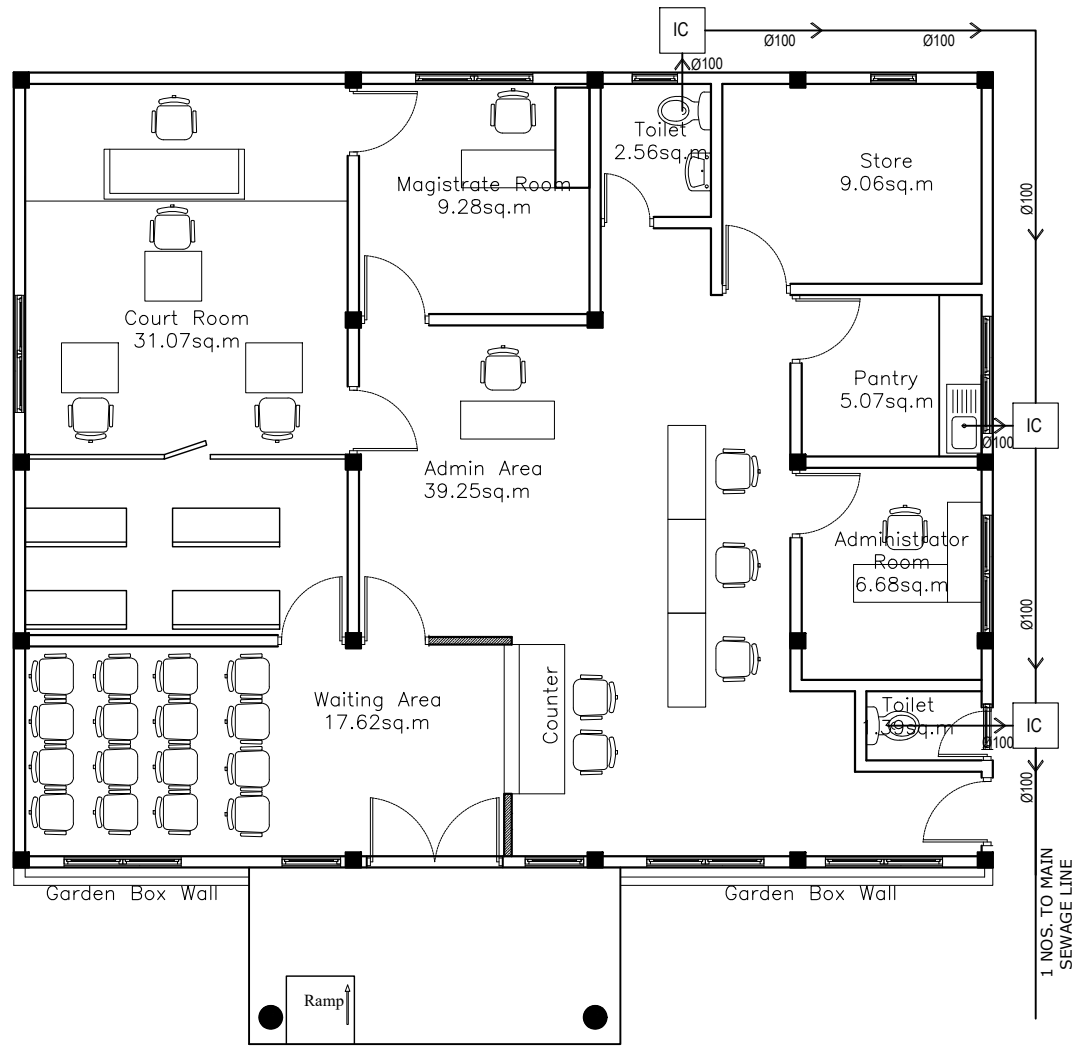
DATE 26/01/2021

PAPER SIZE A4

SCALE AS GIVEN

UNIT MM

MAIN GROUND WATER SUPPLY LAYOUT
SCALE 1:100



DRAWING TITLE
SEWAGE & SOIL WASTE DISPOSAL LAYOUT

PROJECT TITLE
MAGISTRATE COURT
K. HURAA

CLIENT
 DEPARTMENT OF JUDICIAL
 ADMINISTRATION

DRAFTED BY
 MOHAMED ZAHIR

ARCHITECT

ARC. CHECKER

STRUCTURAL ENGINEER

STRUCTURAL CHECKER

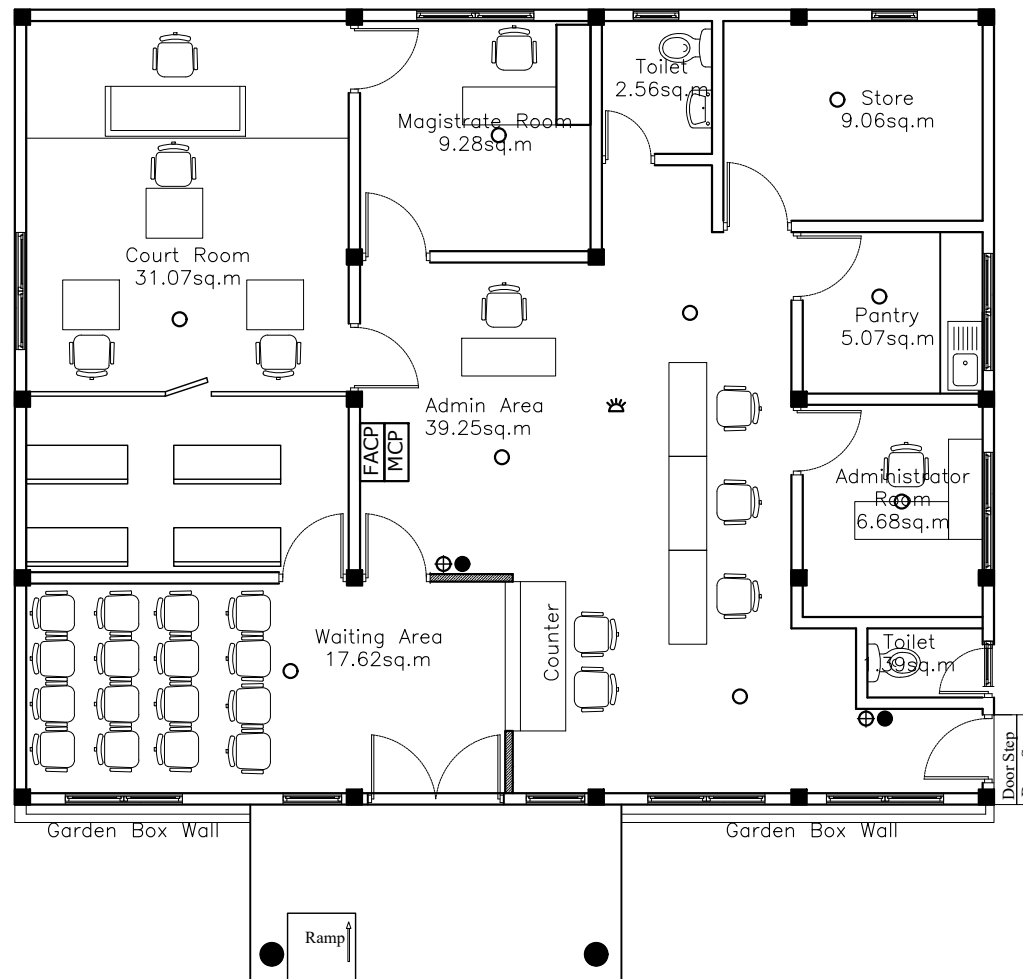
DATE 26/01/2021

PAPER SIZE A4

SCALE AS GIVEN

UNIT MM

MAIN SEWAGE & SOIL WASTE DISPOSAL LAYOUT
 SCALE 1:100



LEGEND:-

- SMOKE DETECTOR
- ⊕ NINE LITER H2O FIRE EXTINGUISHER
- TWO KG CO2 FIRE EXTINGUISHER
- ☼ FIRE ALARM SOUND STROBE 85DS

[FACP] FIRE ALARM CONTROL PANEL

[MCP] MANUAL CALL POINT

Note:
- All cable must be fire resistant cable

DRAWING TITLE
FIRE FIGHTING SYSTEM LAYOUT
PROJECT TITLE
MAGISTRATE COURT
K. HURAA
CLIENT
 DEPARTMENT OF JUDICIAL
 ADMINISTRATION
DRAFTED BY
 MOHAMED ZAHIR

ARCHITECT

ARC. CHECKER

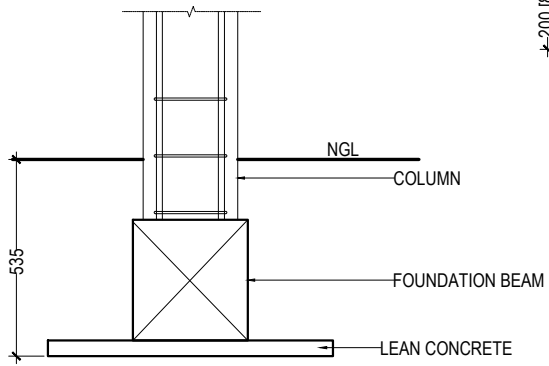
STRUCTURAL ENGINEER

STRUCTURAL CHECKER

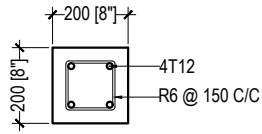
DATE 26/01/2021
PAPER SIZE A4
SCALE AS GIVEN
UNIT MM

FIRE FIGHTING SYSTEM LAYOUT

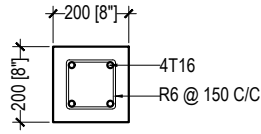
SCALE 1:100



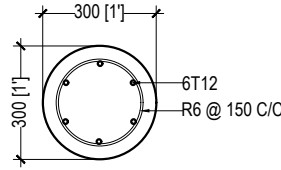
FOUNDATION DETAILS
SCALE 1:20



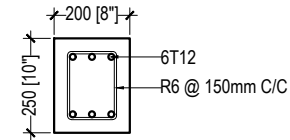
C1



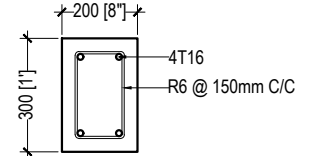
C2



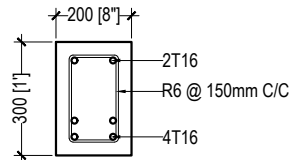
C3



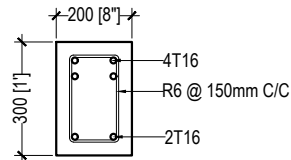
FB1



FB2

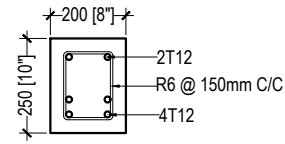


MID

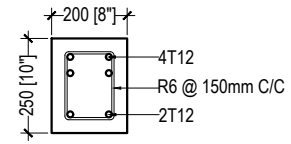


SUP

RB1

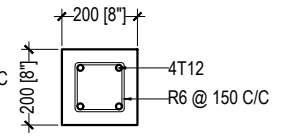


MID

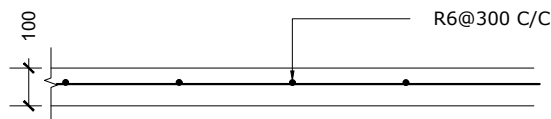


SUP

RB2

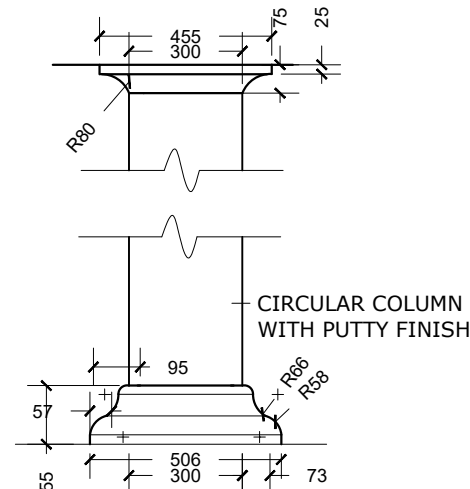


RB3



100MM THK CONCRETE REIN. SLAB
ON TOP OF WELL COMPACTED SOIL

GROUND FLOOR SLAB DETAIL

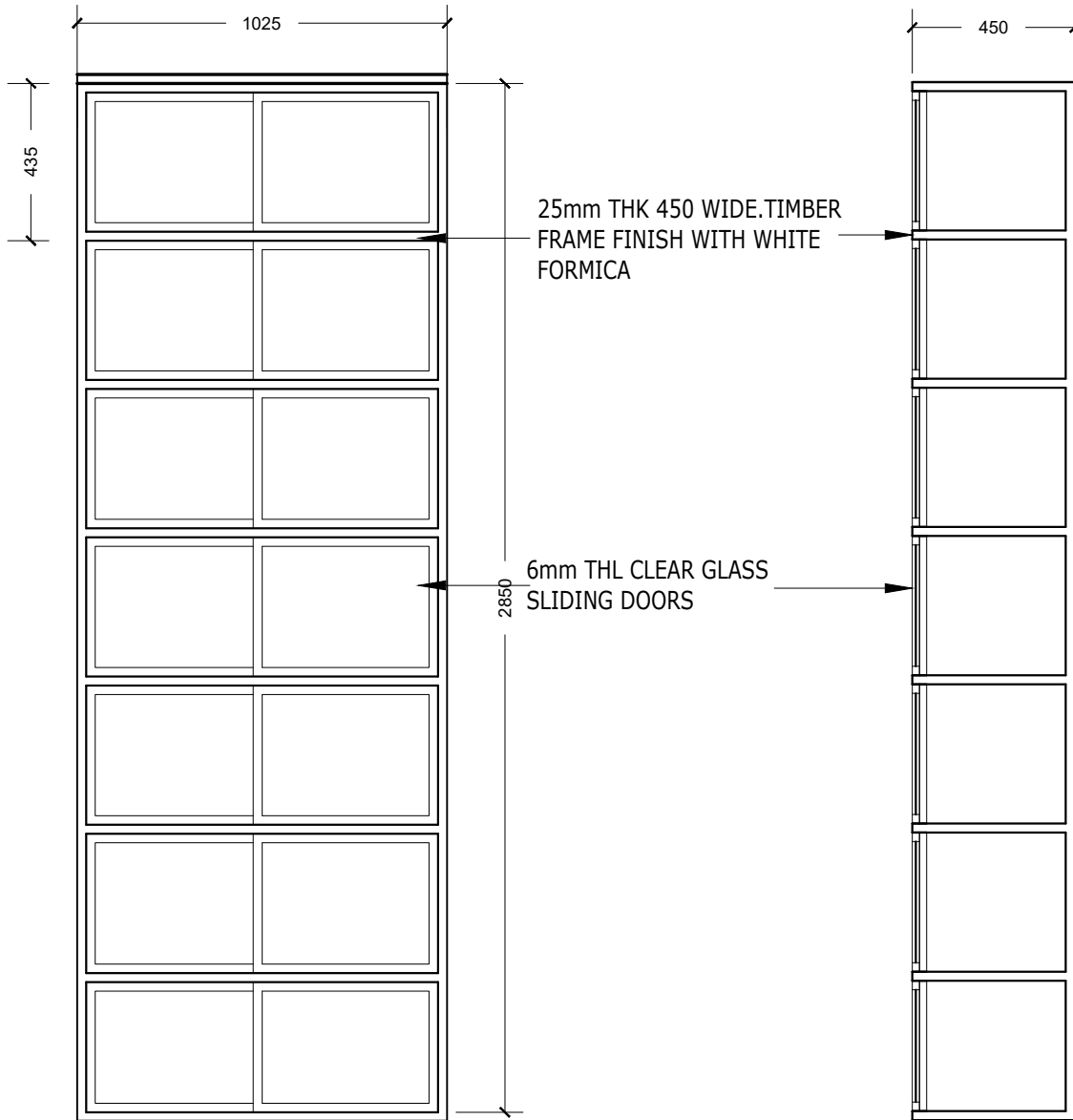


CIRCULAR COLUMN
MOULDING DETAIL
SCALE 1:20

DRAWING TITLE	
AS GIVEN	
PROJECT TITLE	
MAGISTRATE COURT K.HURAA	
CLIENT	
DEPARTMENT OF JUDICIAL ADMINISTRATION	
DRAFTED BY	
MOHAMED ZAHIR	

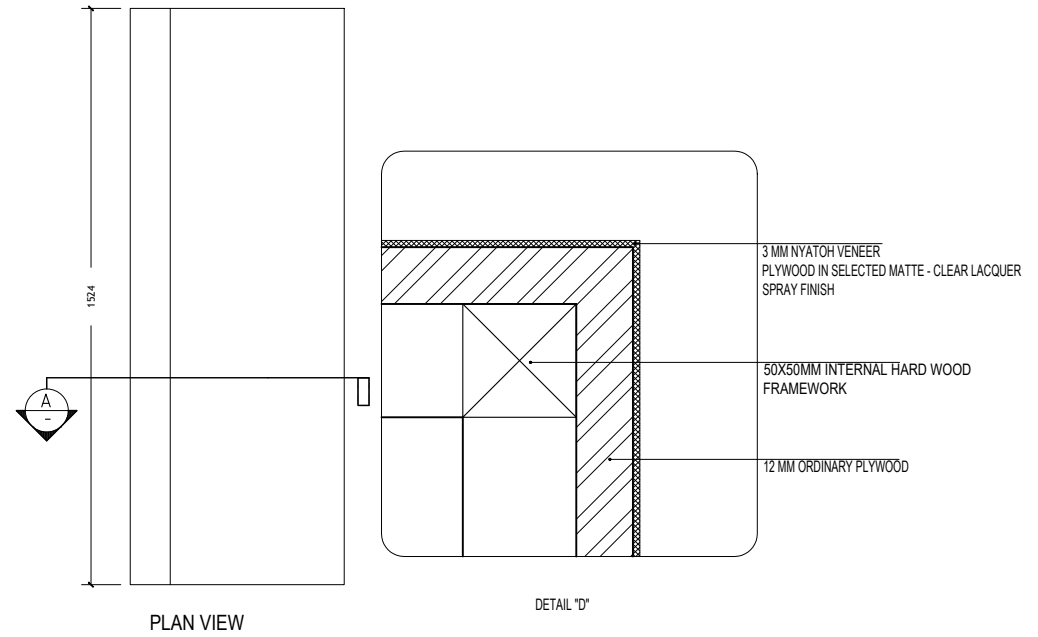
ARCHITECT	
ARC. CHECKER	
STRUCTURAL ENGINEER	
STRUCTURAL CHECKER	

DATE	26/01/2021
PAPER SIZE	A4
SCALE	AS GIVEN
UNIT	MM



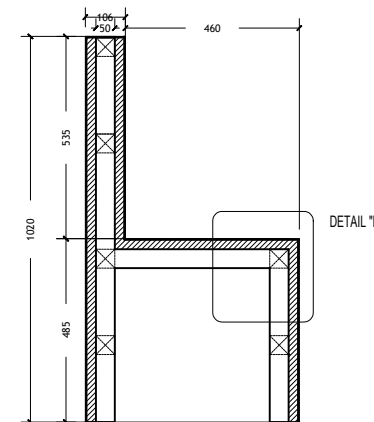
RACK DETAIL (ELEVATION)

RACK DETAIL (SECTION)



PLAN VIEW

DETAIL "D"



SIDE ELEVATION

DETAIL "D"

COURT ROOM BENCH DETAILS
SCALE 1:20

DRAWING TITLE
AS GIVEN

PROJECT TITLE
MAGISTRATE COURT
K.HURAA

CLIENT
DEPARTMENT OF JUDICIAL
ADMINISTRATION

DRAFTED BY
MOHAMED ZAHIR

ARCHITECT

ARC. CHECKER

STRUCTURAL ENGINEER

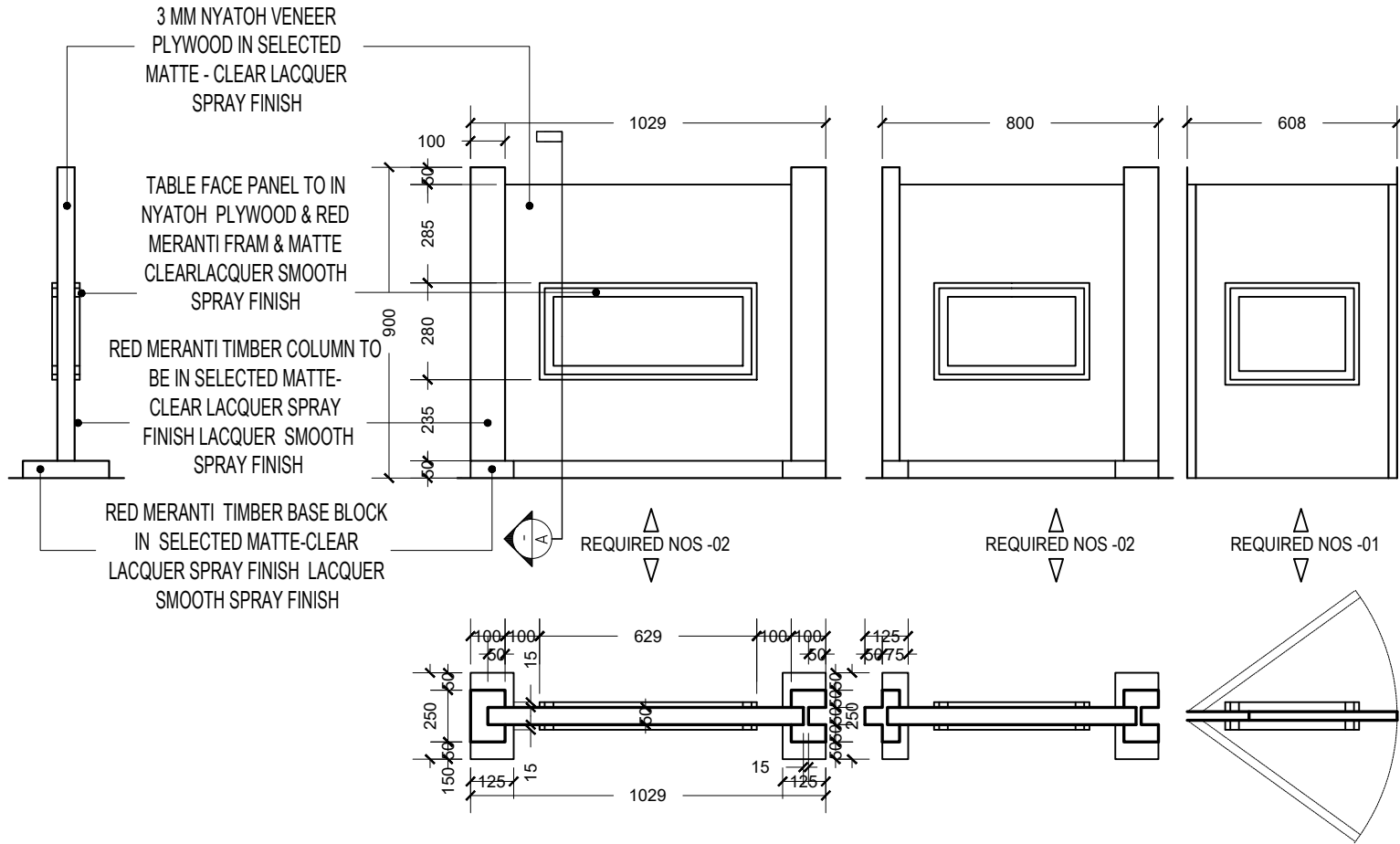
STRUCTURAL CHECKER

DATE 26/01/2021

PAPER SIZE A4

SCALE AS GIVEN

UNIT MM



DRAWING TITLE
AS GIVEN

PROJECT TITLE
MAGISTRATE COURT
K.HURAA

CLIENT
DEPARTMENT OF JUDICIAL
ADMINISTRATION

DRAFTED BY
MOHAMED ZAHIR

ARCHITECT

ARC. CHECKER

STRUCTURAL ENGINEER

STRUCTURAL CHECKER

DATE 26/01/2021

PAPER SIZE A4

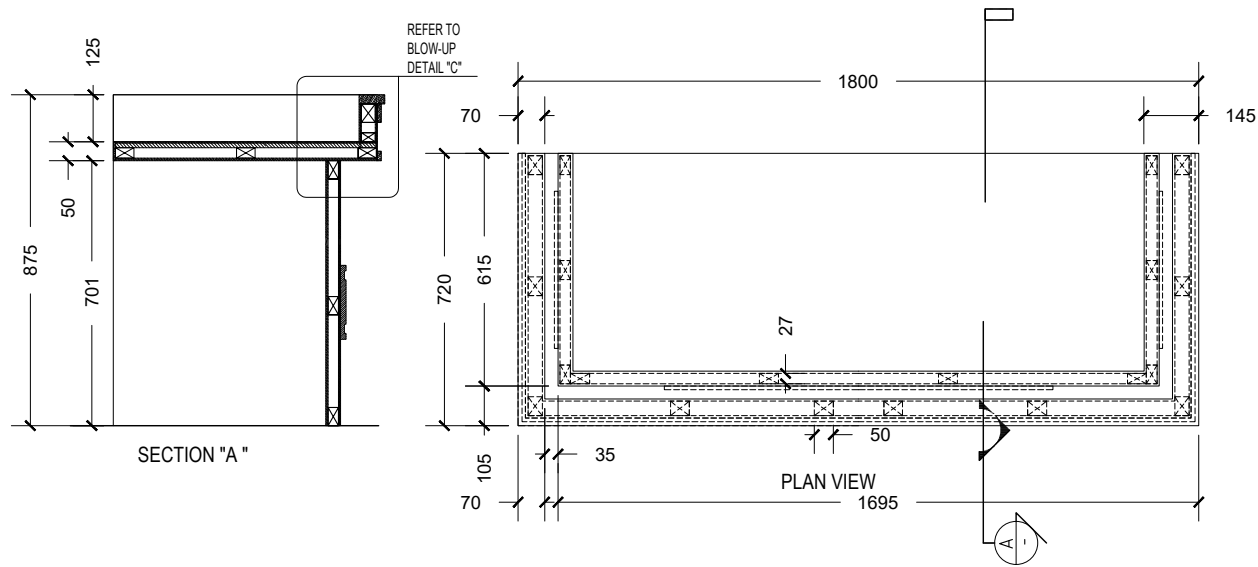
SCALE AS GIVEN

UNIT MM

ALL THE TIMBERS WHICH ARE USED FOR THE STANDARD INTERNAL FRAME WORK TO BE APPLIED WITH SOLIGNUM TIMER TREATMENT CHEMICAL OR EQUIVALENT, 24HRS BEFORE USING ON THE FRAMEWORK

ALL THIN SIDE TO BE FINISHED WITH NATURAL VENEER OF THE SAME WOOD USED ON THE RESPECTIE PART OF THE FURNITURE

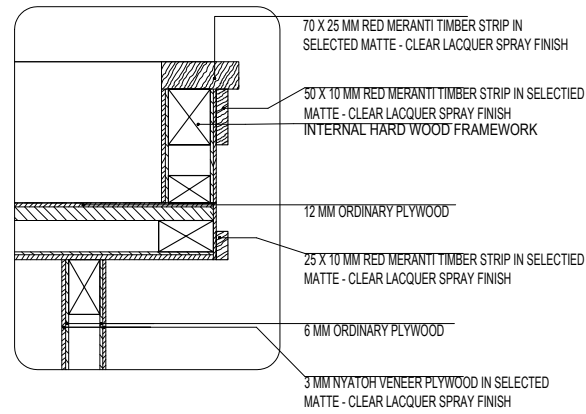
COURT ROOM DIVIDER PARTITION DETAILS
SCALE 1:20



REFER TO
BLOW-UP
DETAIL "C"

SECTION "A"

PLAN VIEW



DETAIL "C"

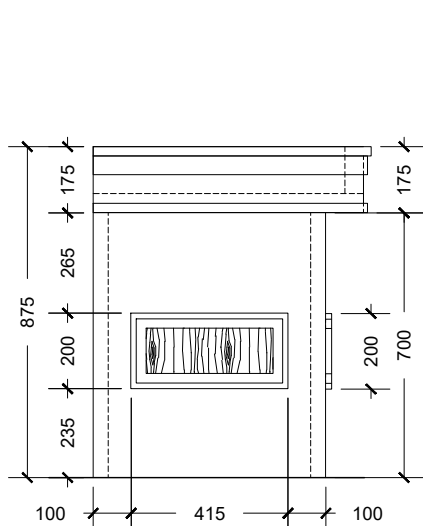
- 70 X 25 MM RED MERANTI TIMBER STRIP IN SELECTED MATTE - CLEAR LACQUER SPRAY FINISH
- 50 X 10 MM RED MERANTI TIMBER STRIP IN SELECTED MATTE - CLEAR LACQUER SPRAY FINISH
- INTERNAL HARD WOOD FRAMEWORK
- 12 MM ORDINARY PLYWOOD
- 25 X 10 MM RED MERANTI TIMBER STRIP IN SELECTED MATTE - CLEAR LACQUER SPRAY FINISH
- 6 MM ORDINARY PLYWOOD
- 3 MM NYATOH VENEER PLYWOOD IN SELECTED MATTE - CLEAR LACQUER SPRAY FINISH

COURT ROOM JUDGE TABLE DETAILS
SCALE 1:20

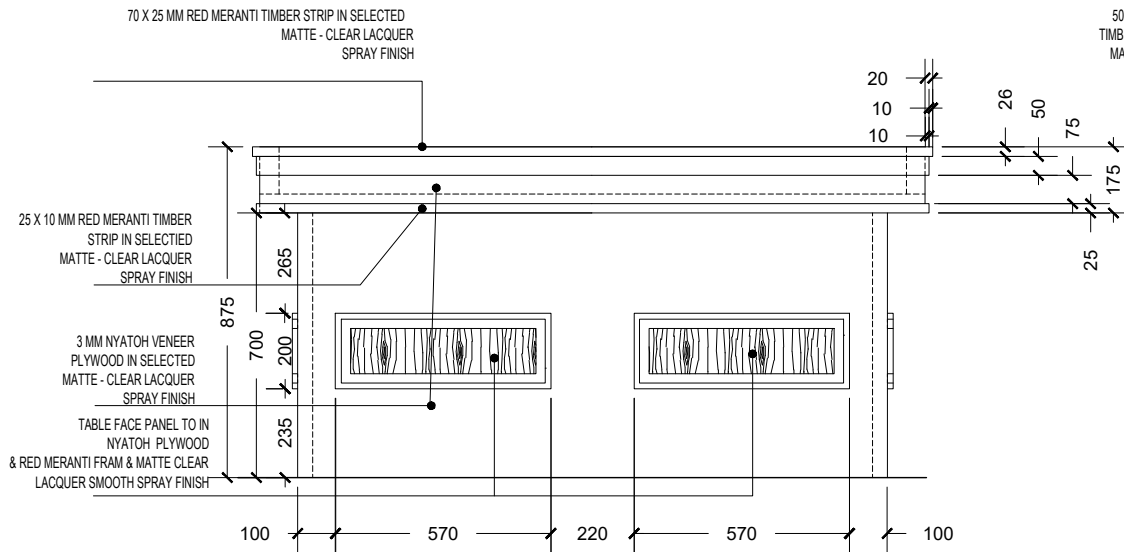
DRAWING TITLE	AS GIVEN
PROJECT TITLE	MAGISTRATE COURT K.HURAA
CLIENT	DEPARTMENT OF JUDICIAL ADMINISTRATION
DRAFTED BY	MOHAMED ZAHIR

ARCHITECT	
ARC. CHECKER	
STRUCTURAL ENGINEER	
STRUCTURAL CHECKER	

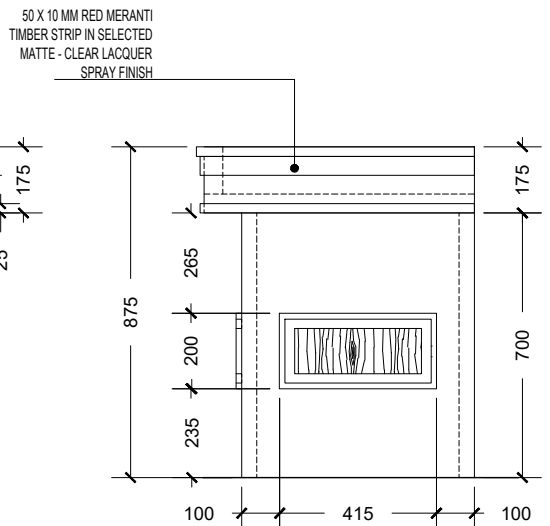
DATE	26/01/2021
PAPER SIZE	A4
SCALE	AS GIVEN
UNIT	MM



LEFT SIDE ELEVATION



FRONT ELEVATION



RIGHT SIDE ELEVATION

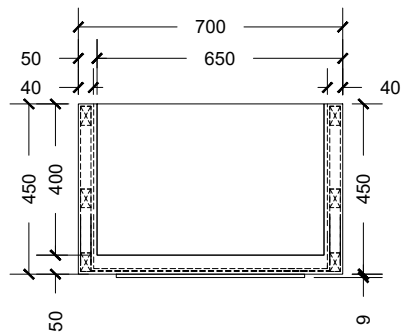


TABLE SECTION "B" of PLAN "R"

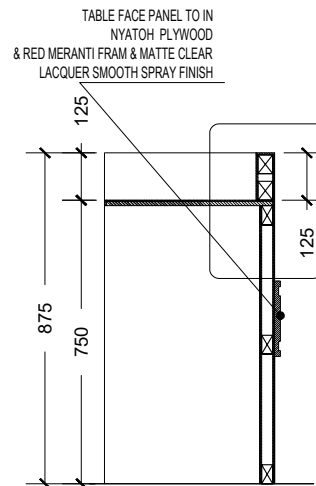
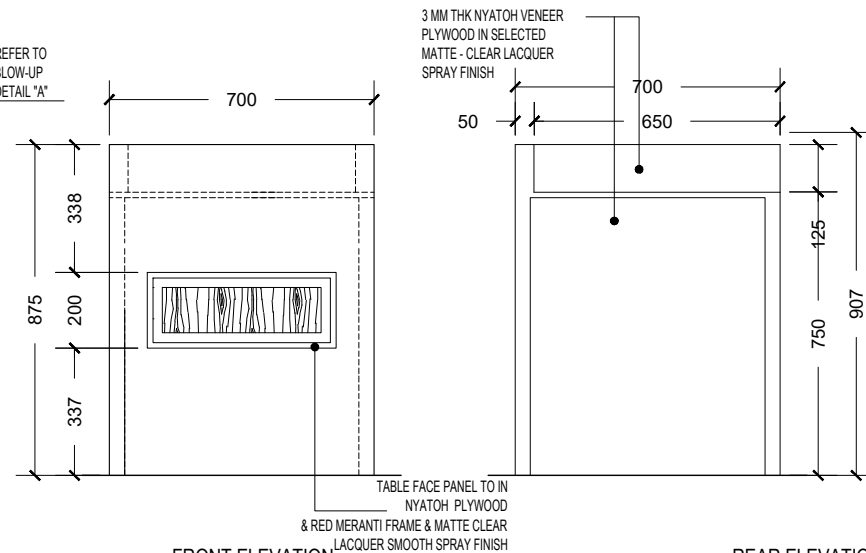


TABLE SECTION "B" of PLAN "R"

REFER TO BLOW-UP DETAIL "A"



FRONT ELEVATION

REAR ELEVATION

NOTE:

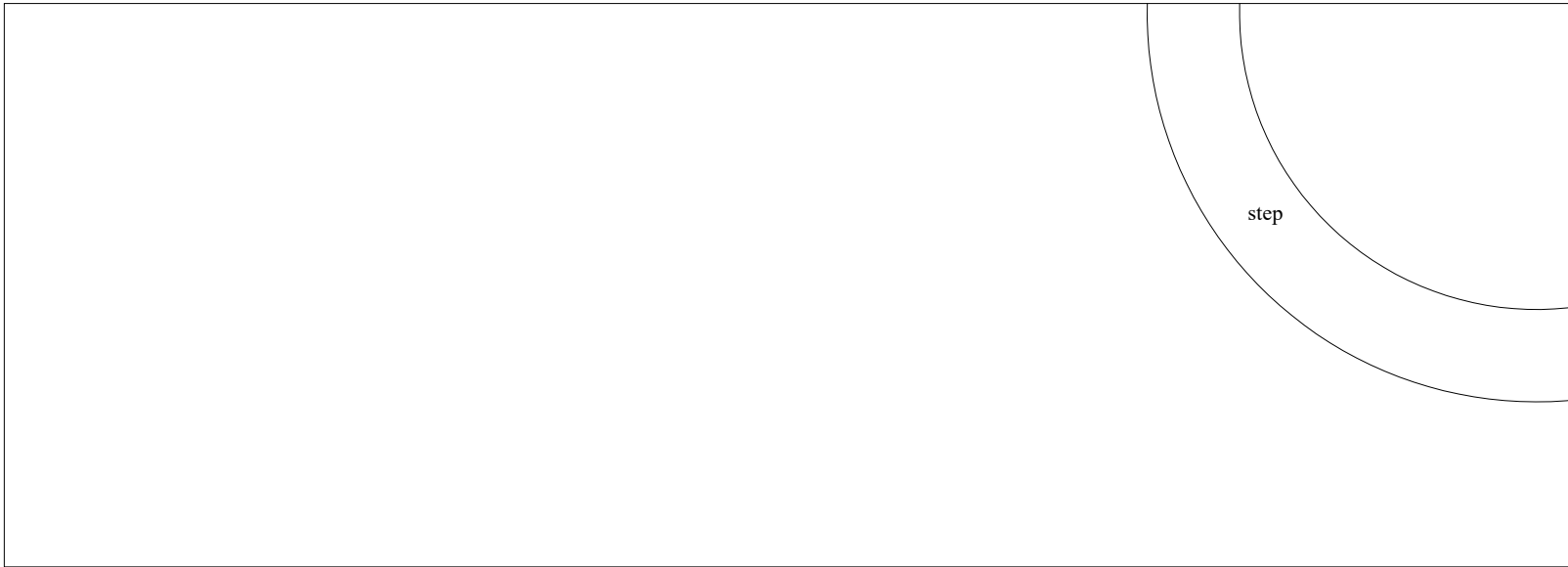
ALL TIMBERS WHICH ARE USED FOR THE STANDARD EXTERNAL FRAMEWORK TO BE APPLIED WITH SOLIGNUM TIMBER TREATMENT CHEMICAL OR EQUIVALENT, 24 HOURS BEFORE USING ON THE FRAMEWORK.

ALL SIDES TO BE FINISHED WITH NATURAL VENEER OF THE SAME WOOD USED ON THE RESPECTIVE PART OF THE FURNITURE.

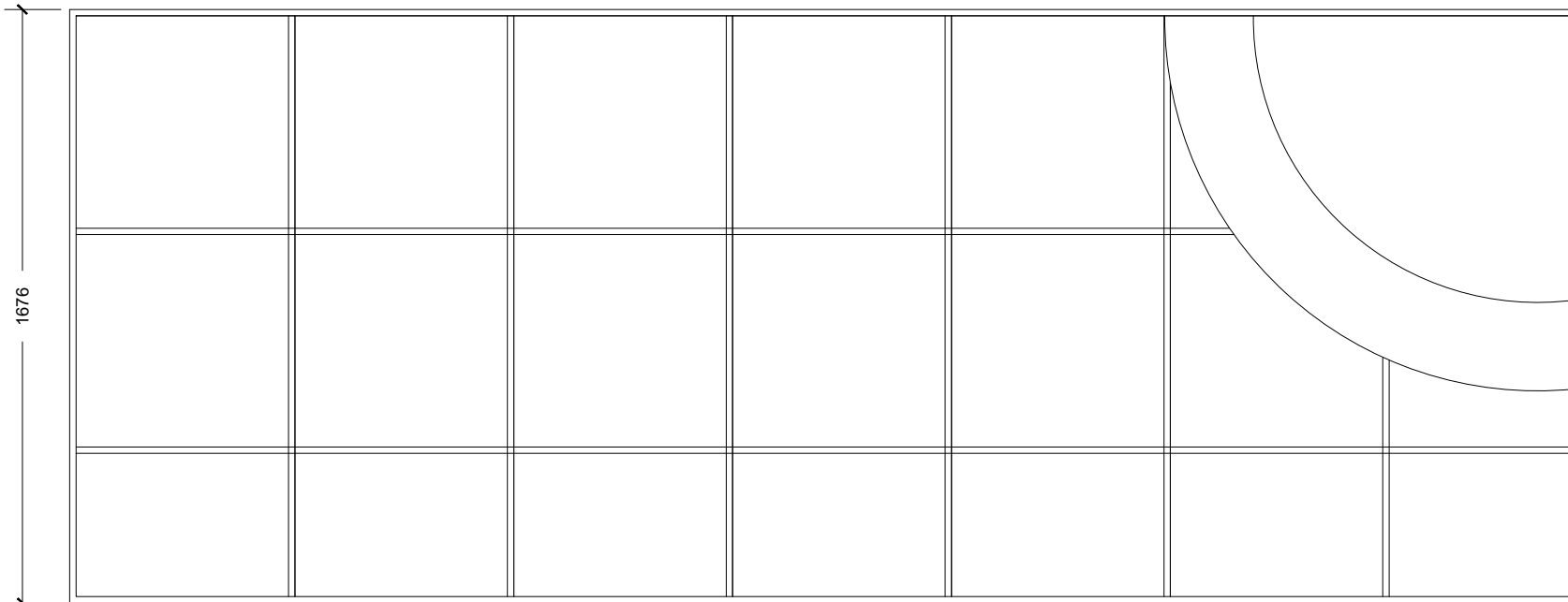
DRAWING TITLE	AS GIVEN
PROJECT TITLE	MAGISTRATE COURT K.HURAA
CLIENT	DEPARTMENT OF JUDICIAL ADMINISTRATION
DRAFTED BY	MOHAMED ZAHIR

ARCHITECT	
ARC. CHECKER	
STRUCTURAL ENGINEER	
STRUCTURAL CHECKER	

DATE	26/01/2021
PAPER SIZE	A4
SCALE	AS GIVEN
UNIT	MM



STAGE



STAGE FRAME

DRAWING TITLE
AS GIVEN

PROJECT TITLE
**MAGISTRATE COURT
 K.HURAA**

CLIENT
 DEPARTMENT OF JUDICIAL
 ADMINISTRATION

DRAFTED BY
 MOHAMED ZAHIR

ARCHITECT

ARC. CHECKER

STRUCTURAL ENGINEER

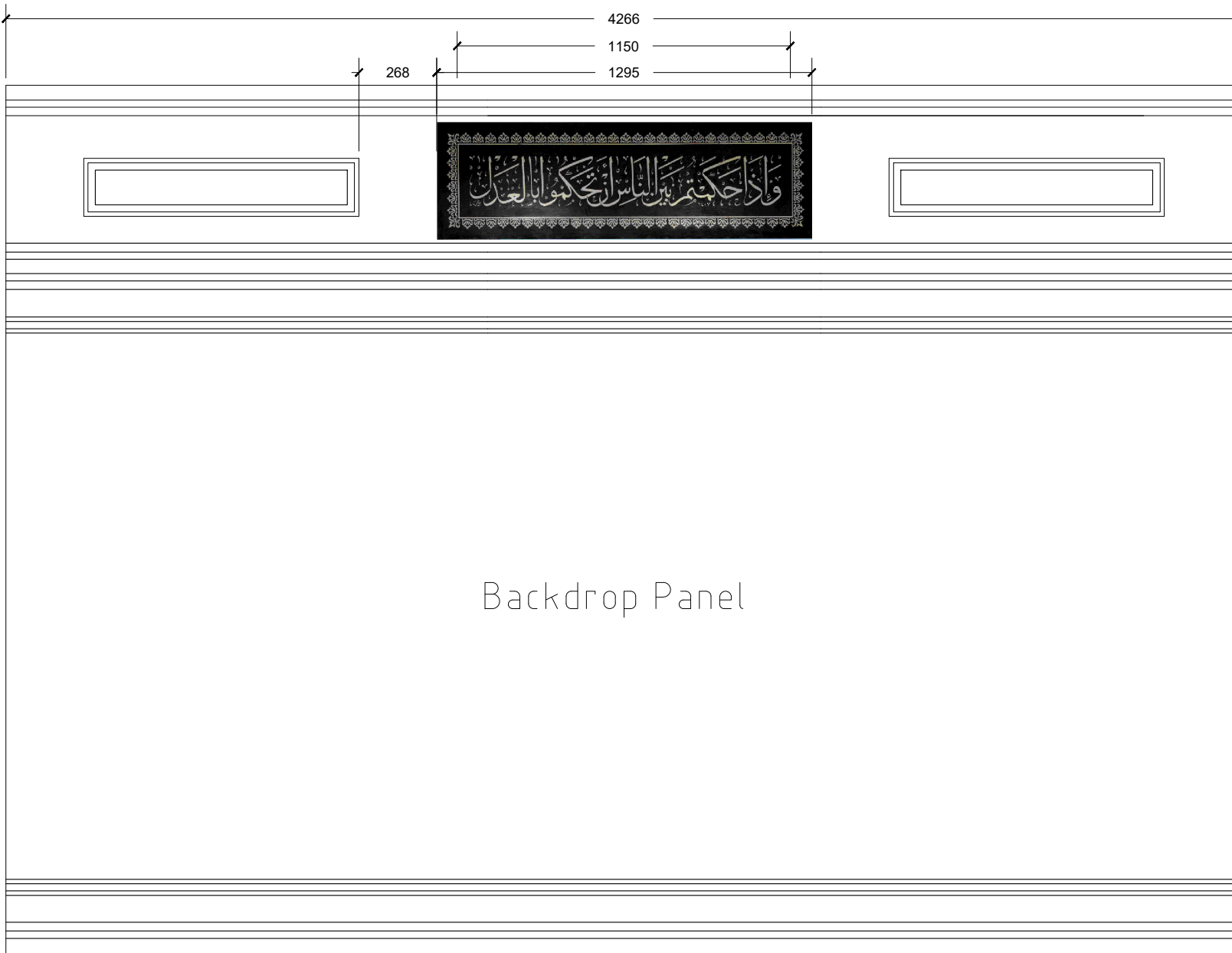
STRUCTURAL CHECKER

DATE 26/01/2021

PAPER SIZE A4

SCALE AS GIVEN

UNIT MM



DRAWING TITLE
AS GIVEN

PROJECT TITLE
**MAGISTRATE COURT
 K.HURAA**

CLIENT
 DEPARTMENT OF JUDICIAL
 ADMINISTRATION

DRAFTED BY
 MOHAMED ZAHIR

ARCHITECT

ARC. CHECKER

STRUCTURAL ENGINEER

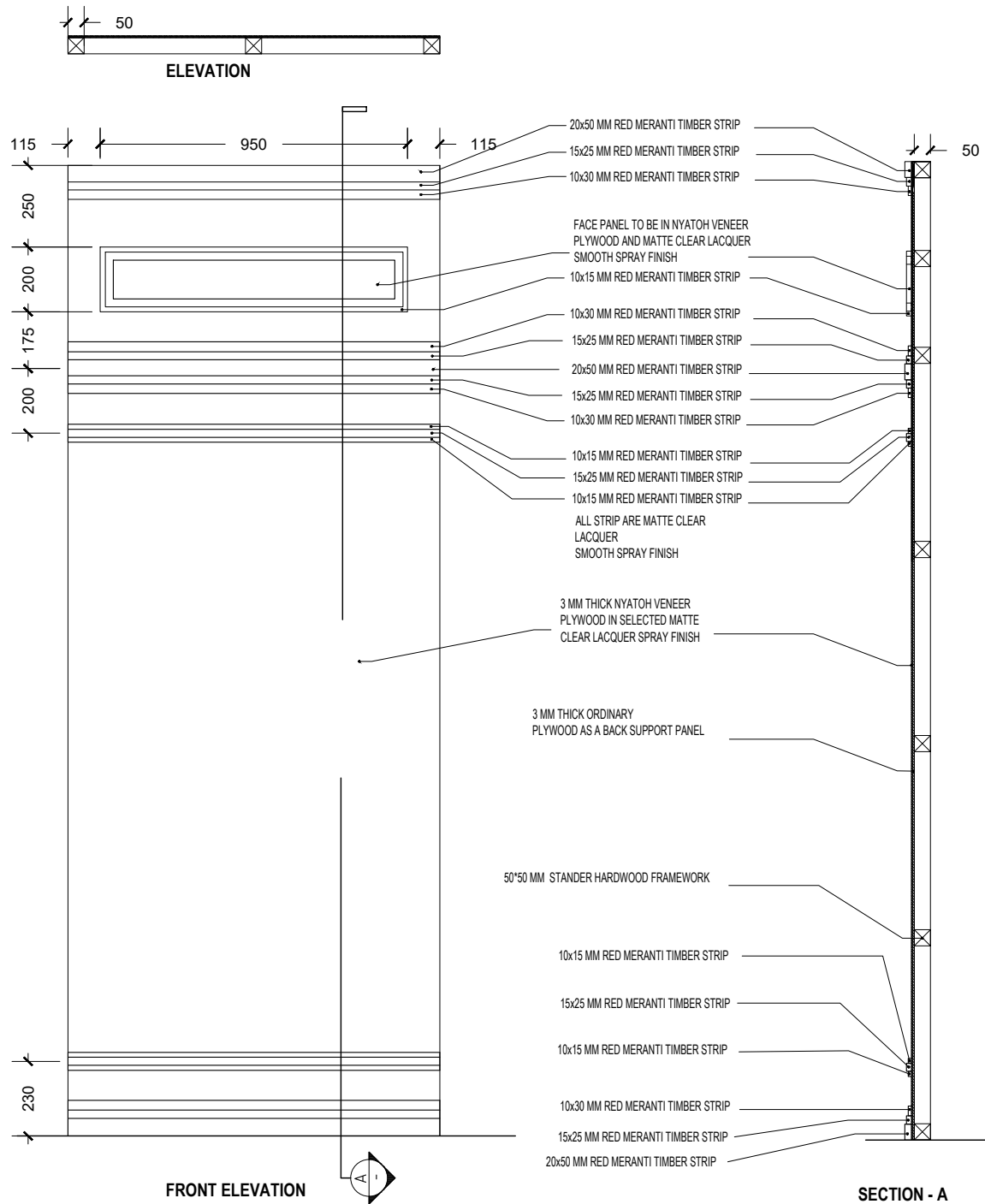
STRUCTURAL CHECKER

DATE 26/01/2021

PAPER SIZE A4

SCALE AS GIVEN

UNIT MM



DRAWING TITLE
AS GIVEN

PROJECT TITLE
MAGISTRATE COURT
K.HURAA

CLIENT
DEPARTMENT OF JUDICIAL
ADMINISTRATION

DRAFTED BY
MOHAMED ZAHIR

ARCHITECT

ARC. CHECKER

STRUCTURAL ENGINEER

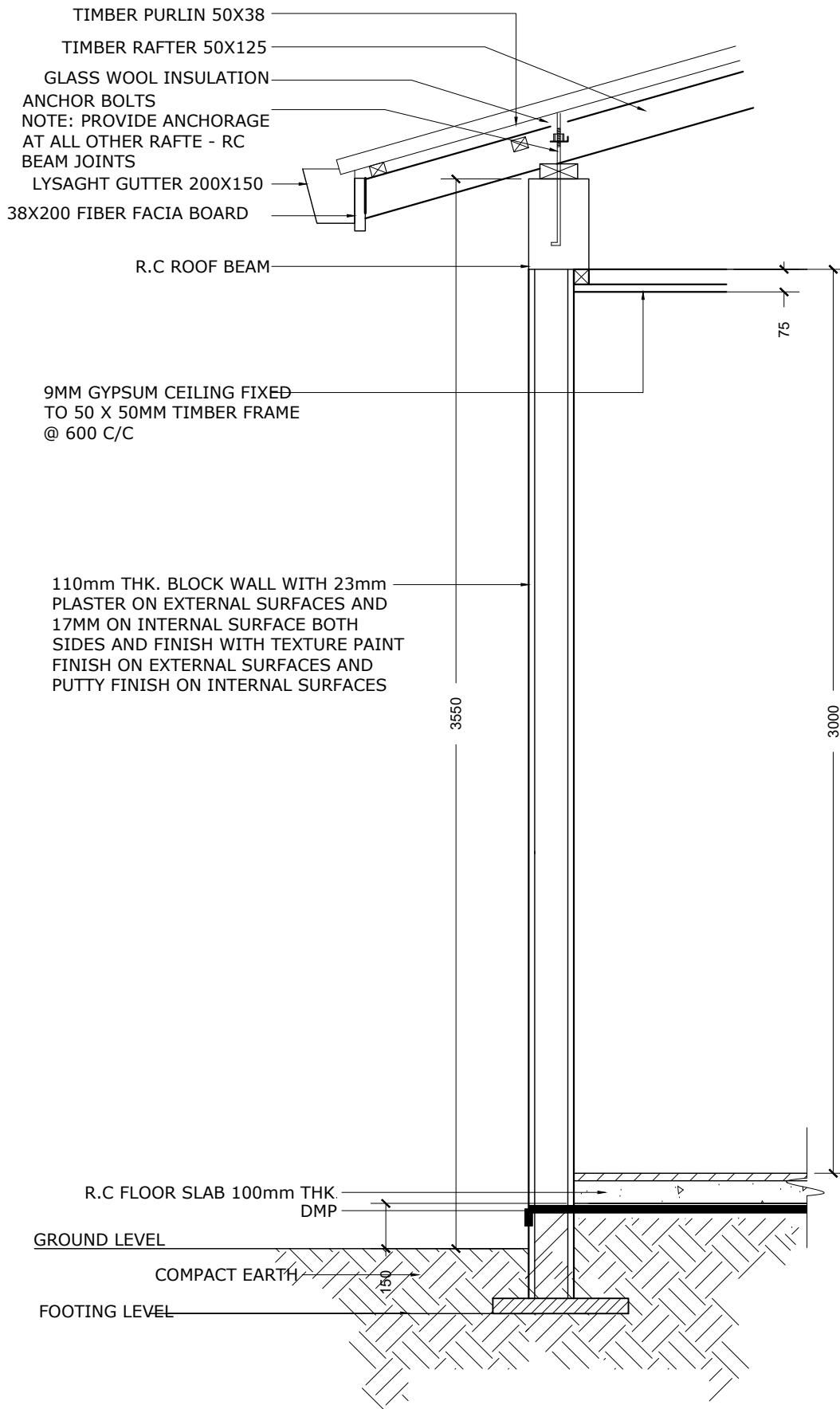
STRUCTURAL CHECKER

DATE 26/01/2021

PAPER SIZE A4

SCALE AS GIVEN

UNIT MM

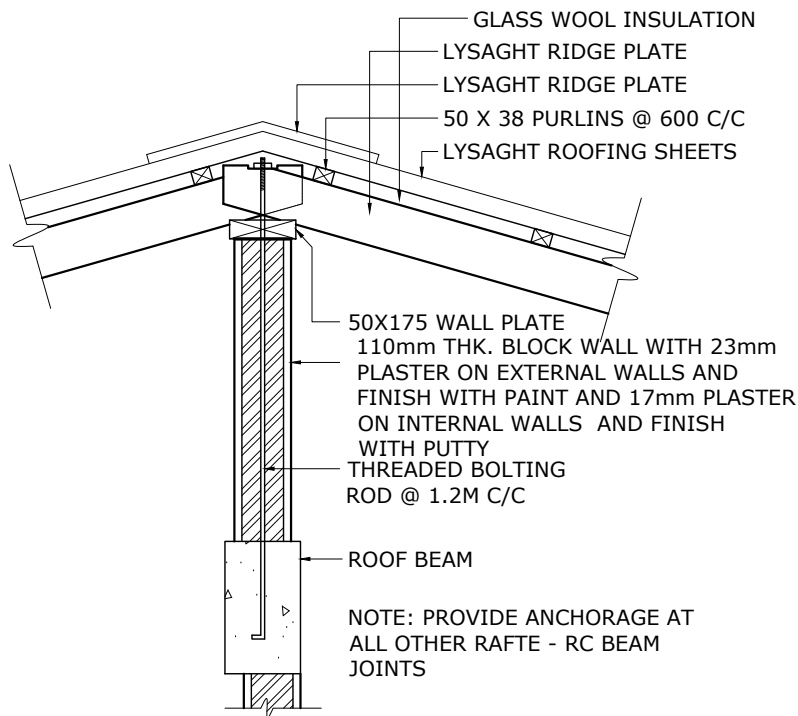


DETAIL -A
SCALE 1:20

DRAWING TITLE	AS GIVEN
PROJECT TITLE	MAGISTRATE COURT K.HURAA
CLIENT	DEPARTMENT OF JUDICIAL ADMINISTRATION
DRAFTED BY	MOHAMED ZAHIR

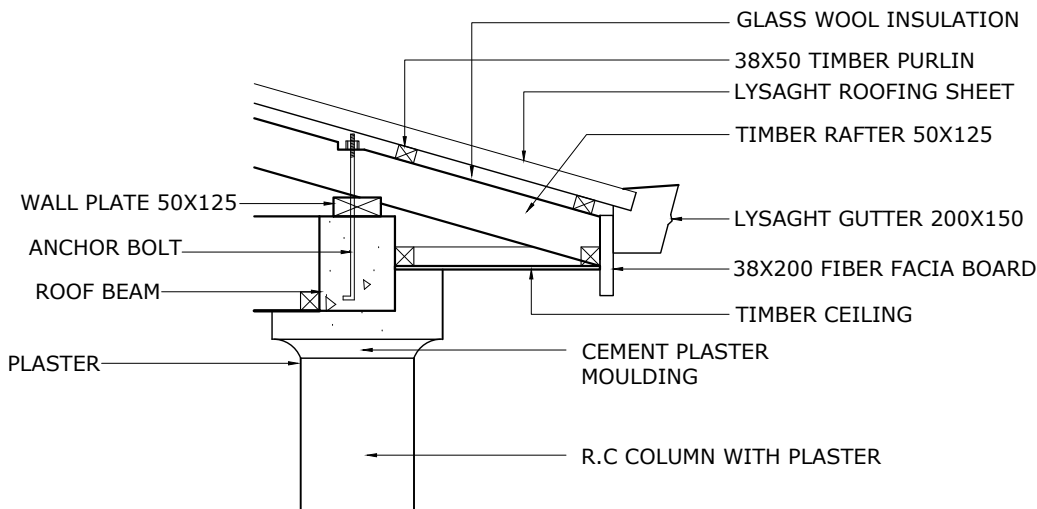
ARCHITECT	
ARC. CHECKER	
STRUCTURAL ENGINEER	
STRUCTURAL CHECKER	

DATE	26/01/2021
PAPER SIZE	A4
SCALE	AS GIVEN
UNIT	MM



DETAIL -B
 SCALE 1:20

RIDGE RAFTER SUPPORTING DETAILS

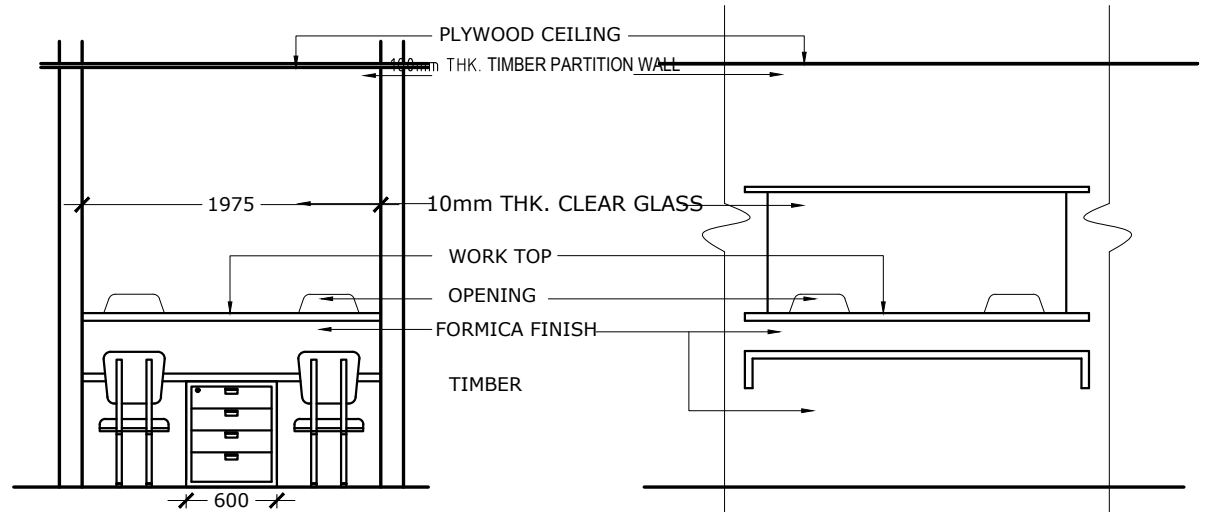
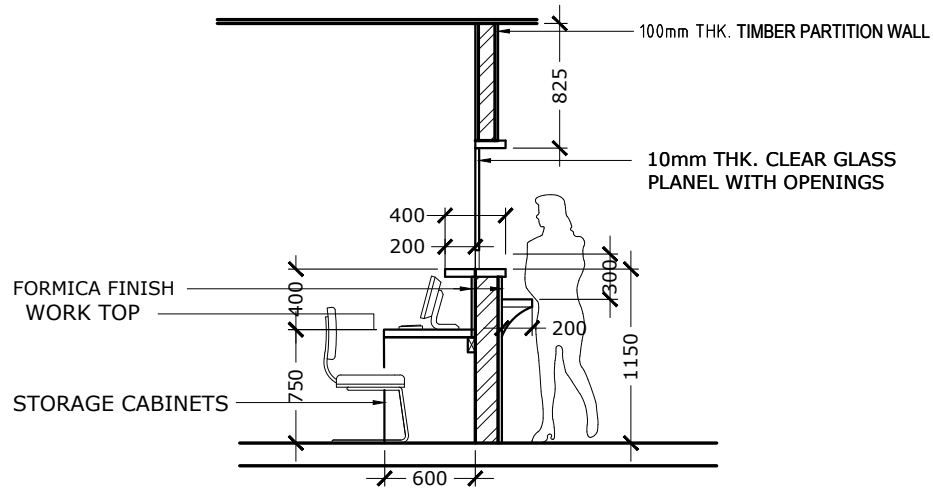


DETAIL -C
 SCALE 1:20

DRAWING TITLE	AS GIVEN
PROJECT TITLE	MAGISTRATE COURT K.HURAA
CLIENT	DEPARTMENT OF JUDICIAL ADMINISTRATION
DRAFTED BY	MOHAMED ZAHIR

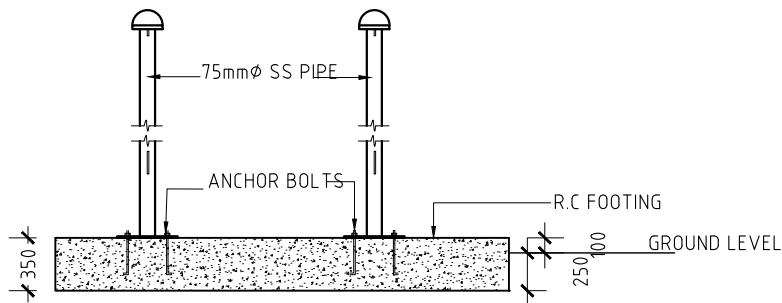
ARCHITECT	
ARC. CHECKER	
STRUCTURAL ENGINEER	
STRUCTURAL CHECKER	

DATE	26/01/2021
PAPER SIZE	A4
SCALE	AS GIVEN
UNIT	MM

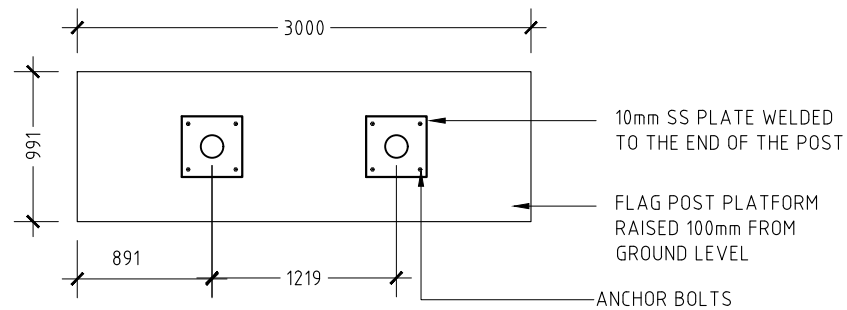


COUNTER DETAIL (INSIDE ELEVATION)
SCALE 1:50

COUNTER DETAIL (ELEVATION TO LOBBY)
SCALE 1:50



FLAG POST DETAIL
(SECTION)
SCALE 1:50



FLAG POST DETAIL
(PLAN)
SCALE 1:50

<u>DRAWING TITLE</u>
AS GIVEN

<u>PROJECT TITLE</u>
MAGISTRATE COURT K. HURAA

<u>CLIENT</u>
DEPARTMENT OF JUDICIAL ADMINISTRATION

<u>DRAFTED BY</u>
MOHAMED ZAHIR

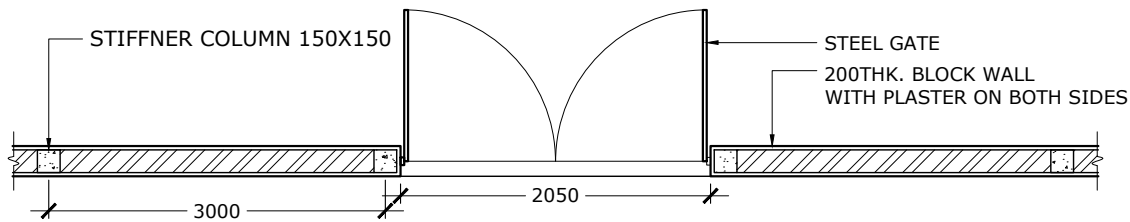
<u>ARCHITECT:</u>

<u>ARC. CHECKER:</u>

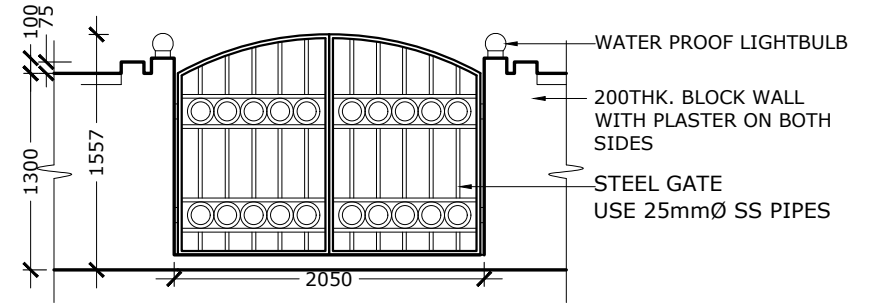
<u>STRUCT. ENGR.:</u>

<u>STRUCT. CHECKER:</u>

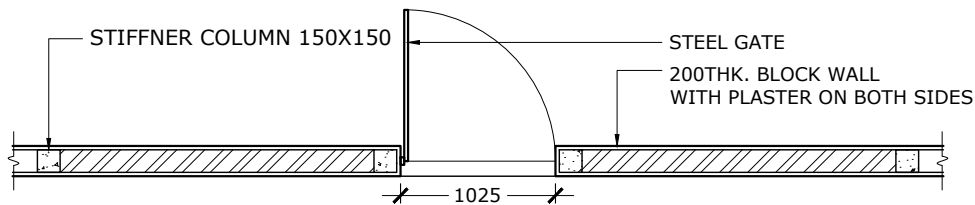
<u>DATE</u>	26/01/2021
<u>PAPER SIZE</u>	A4
<u>SCALE</u>	AS GIVEN
<u>UNIT</u>	MM



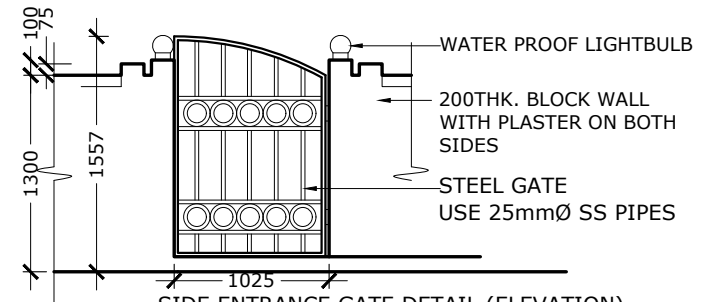
MAIN ENTRANCE GATE DETAIL
(PLAN)
SCALE 1:50



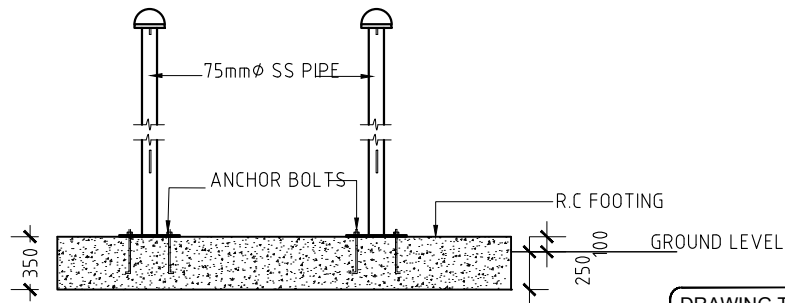
MAIN ENTRANCE GATE DETAIL (ELEVATION)
SCALE 1:50



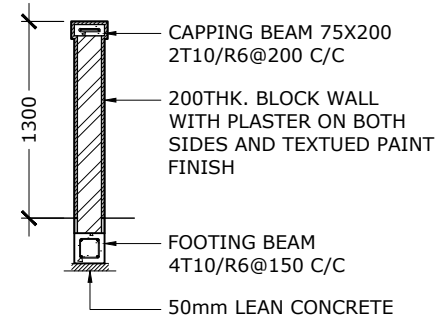
SIDE ENTRANCE GATE DETAIL
(PLAN)
SCALE 1:50



SIDE ENTRANCE GATE DETAIL (ELEVATION)
SCALE 1:50



FLAG POST DETAIL
(SECTION)
SCALE 1:50



BOUNDARY WALL DETAILS
SCALE 1:50

DRAWING TITLE
AS GIVEN
PROJECT TITLE
MAGISTRATE COURT K. HURAA

CLIENT
DEPARTMENT OF JUDICIAL ADMINISTRATION
DRAFTED BY
MOHAMED ZAHIR

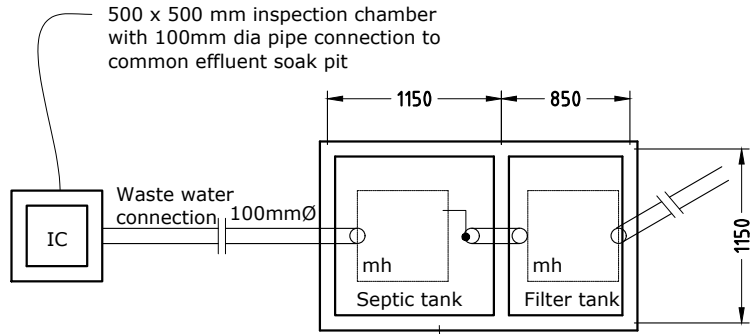
ARCHITECT:

ARC. CHECKER:

STRUCT. ENGR.:

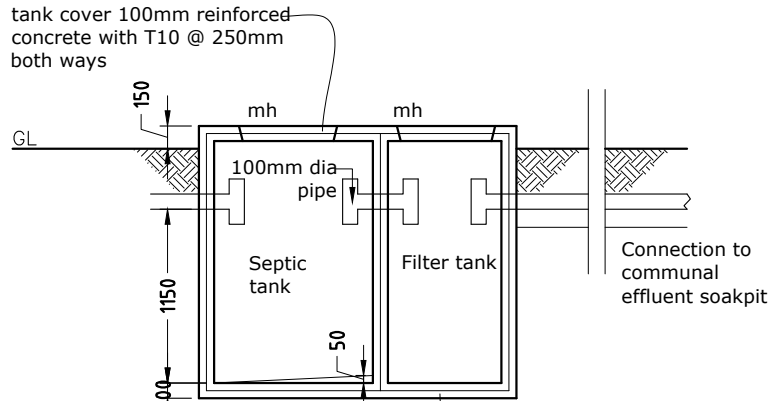
STRUCT. CHECKER:

DATE	26/01/2020
PAPER SIZE	A4
SCALE	AS GIVEN
UNIT	MM



all walls to be 100mm reinforced concrete with T10 @ 250mm both ways

PLAN

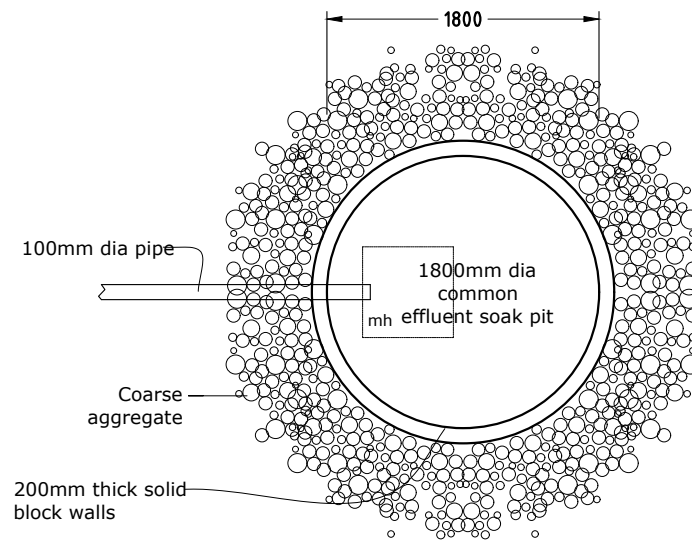


all walls to be 100mm reinforced concrete with T10 @ 250mm both ways

SECTION

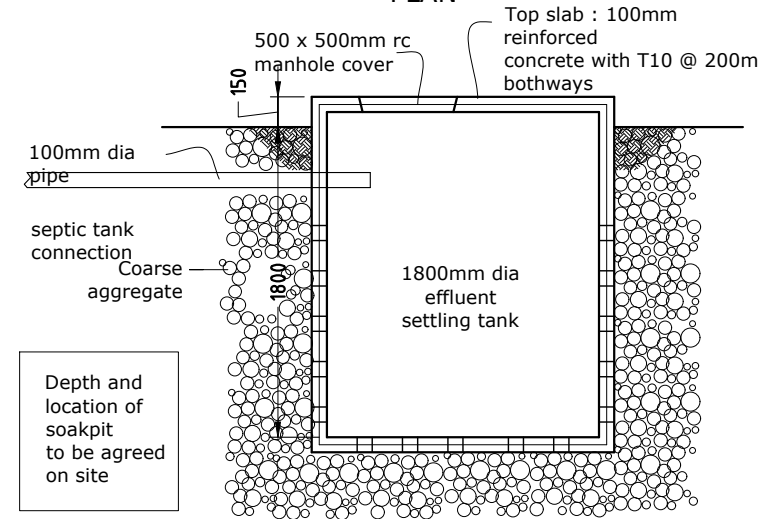
SEPTIC TANK DETAIL

1:50



200mm thick solid block walls

PLAN



Depth and location of soakpit to be agreed on site

SECTION

COMMUNAL SOAK PIT DETAIL

1:50

DRAWING TITLE AS GIVEN	CLIENT DEPARTMENT OF JUDICIAL ADMINISTRATION	ARCHITECT:	DATE 26/01/2020
PROJECT TITLE MAGISTRATE COURT K. HURAA	DRAFTED BY MOHAMED ZAHIR	ARC. CHECKER:	PAPER SIZE A4
		STRUCT. ENGR.:	SCALE AS GIVEN
		STRUCT. CHECKER:	UNIT MM