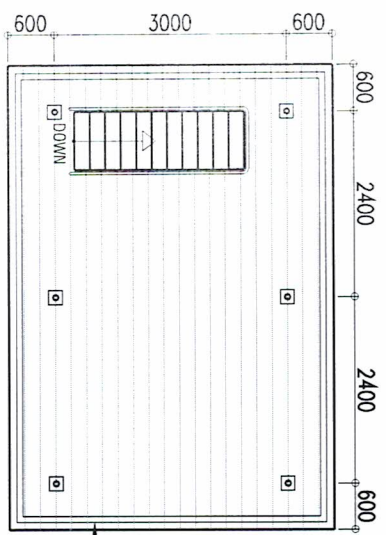
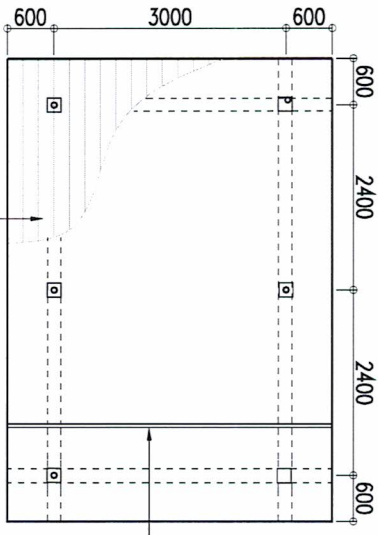


GROUND FLOOR PLAN
SCALE - 1:100

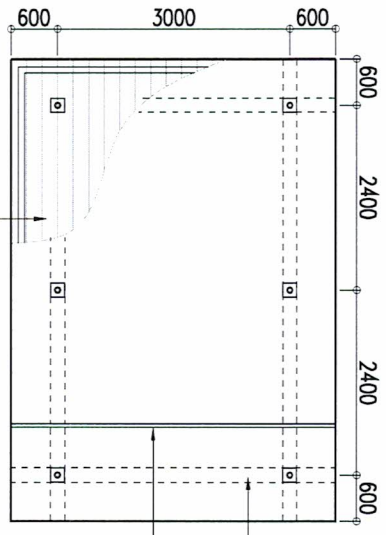


FIRST FLOOR PLAN
SCALE - 1:100

1200MM HIGH 75MM THICK
TIMBER RAILING



GROUND FLOOR DECK PLAN
SCALE - 1:100

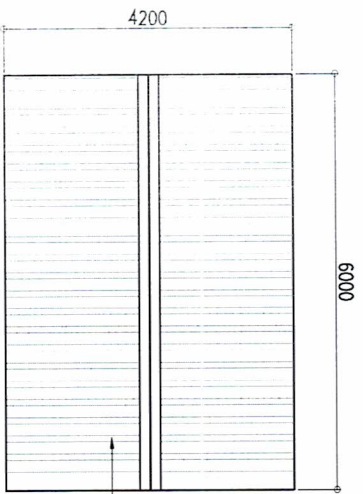


FIRST FLOOR DECK PLAN
SCALE - 1:100

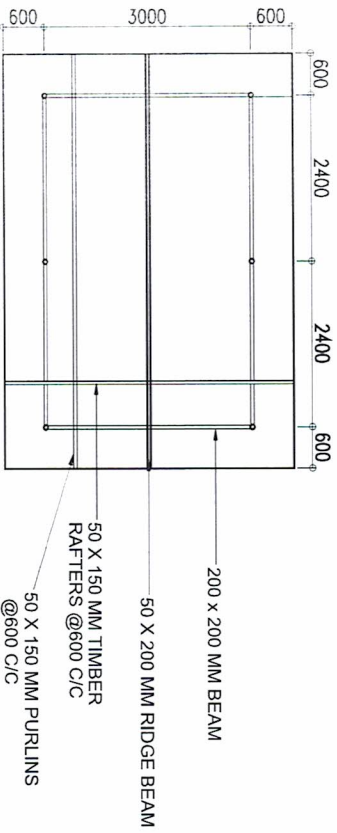
50 X 150 MM TIMBER
RAFTERS @400 C/C
35 X 135 MM
DECK BOARDS

200 x 200 MM BEAM
50 X 150 MM TIMBER
RAFTERS @400 C/C
35 X 135 MM
DECK BOARDS

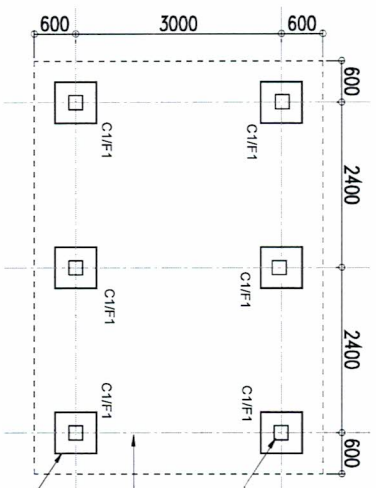




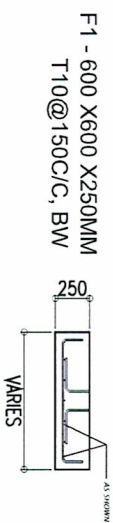
ROOF PLAN
SCALE - 1:100



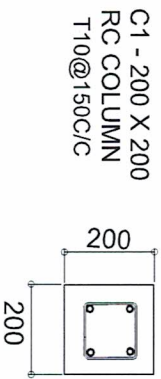
ROOF PLAN
SCALE - 1:100



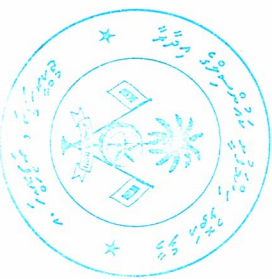
COLUMN & FOUNDATION PLAN
SCALE - 1:100

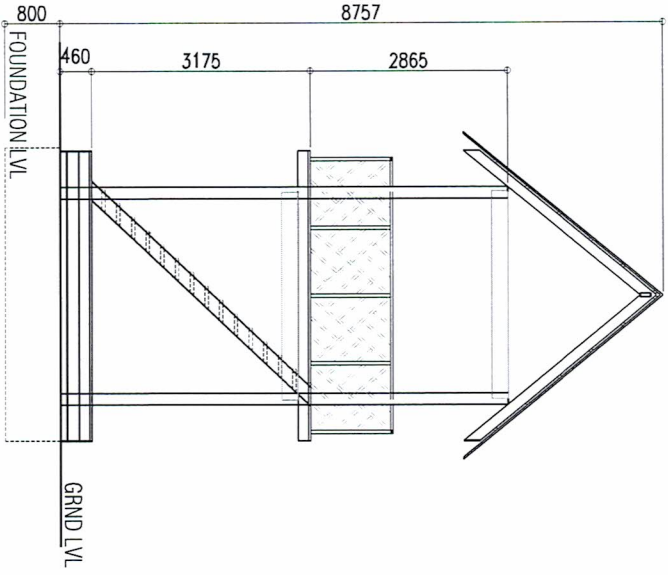


FOUNDATION DETAILS

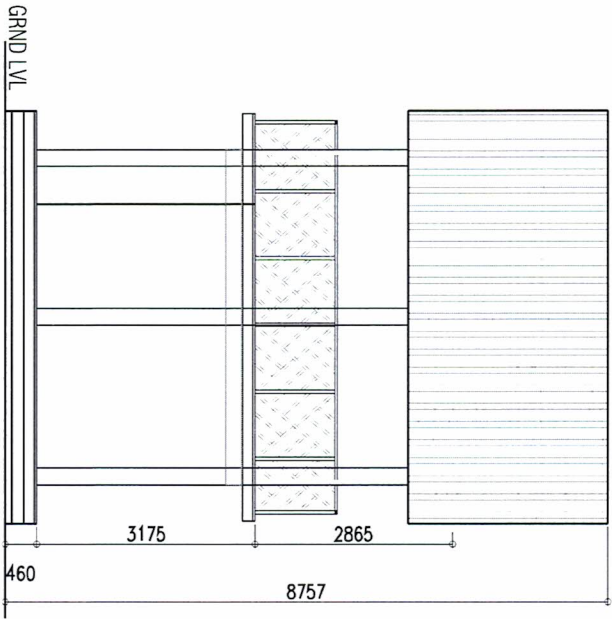


COLUMN DETAILS





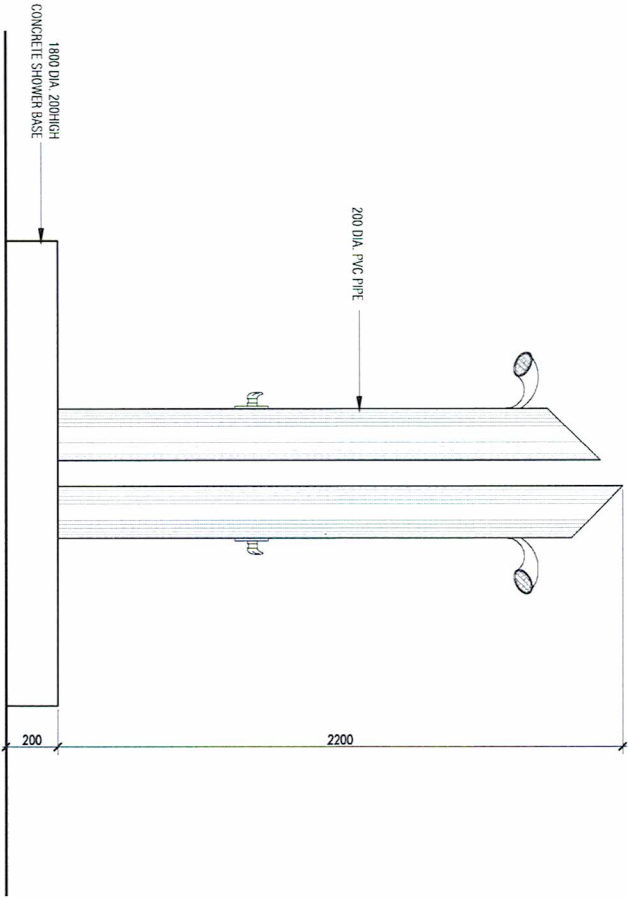
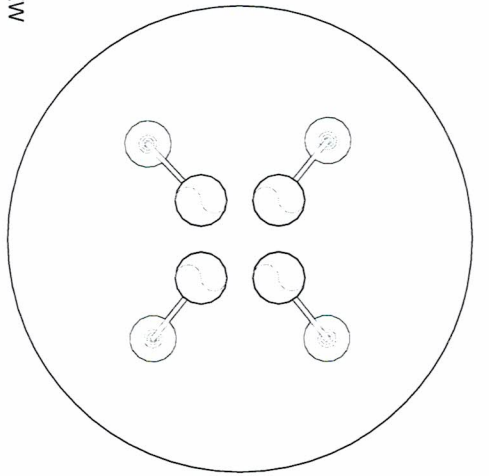
SECTION
SCALE - 1:100



ELEVATION
SCALE - 1:100



TOP VIEW

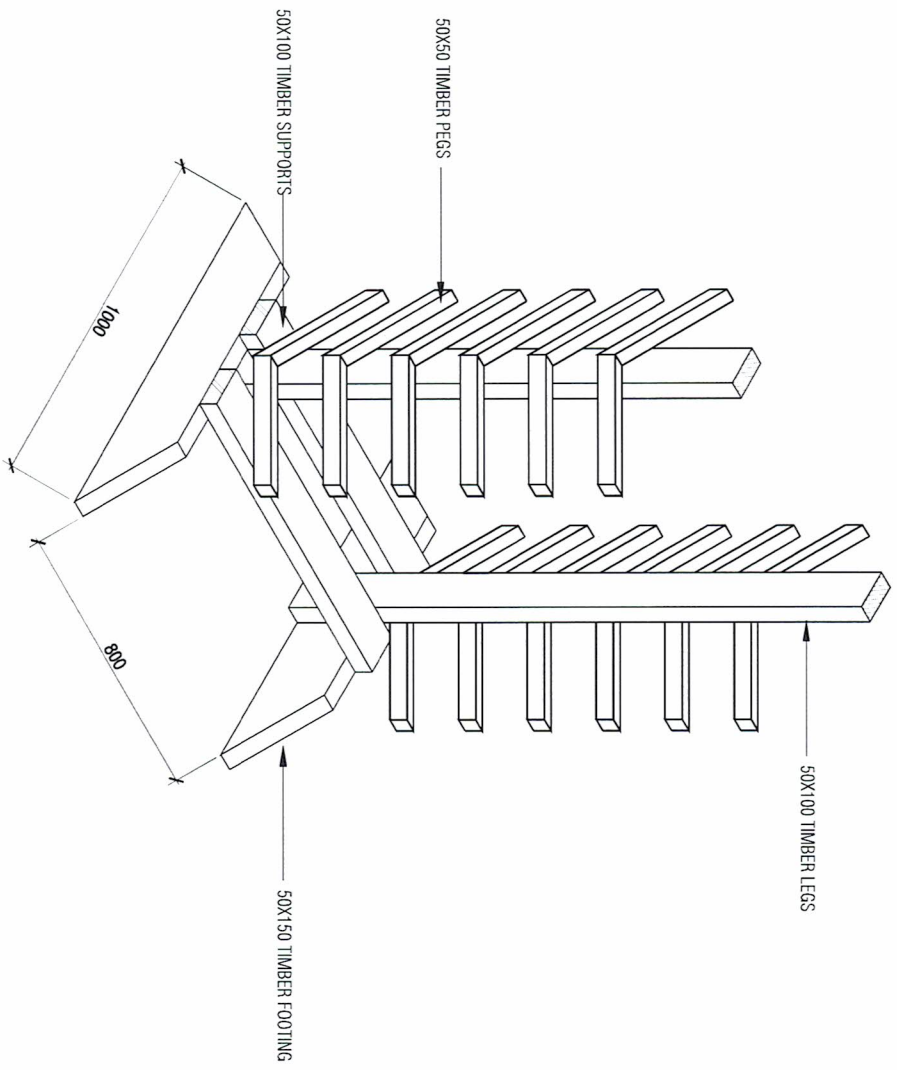


ELEVATION

OUTDOOR SHOWER

SCALE 1:20





WOODEN SURF BOARD RACK
SCALE 1:20

