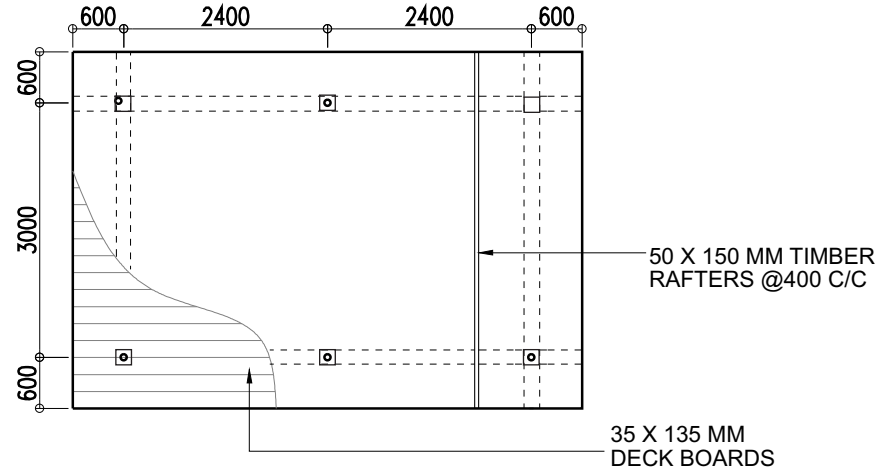
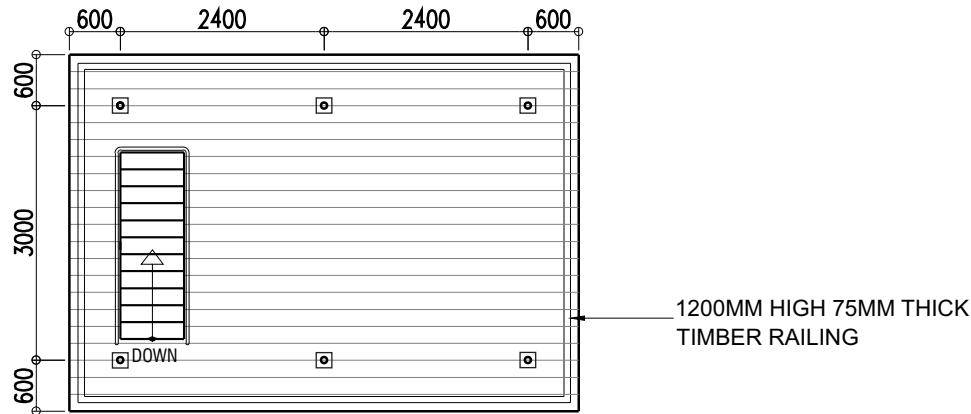


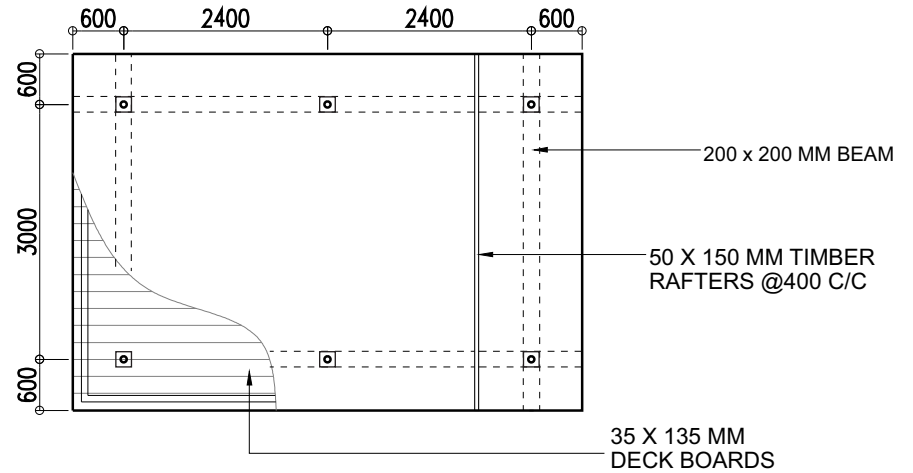
GROUND FLOOR PLAN
SCALE - 1:100



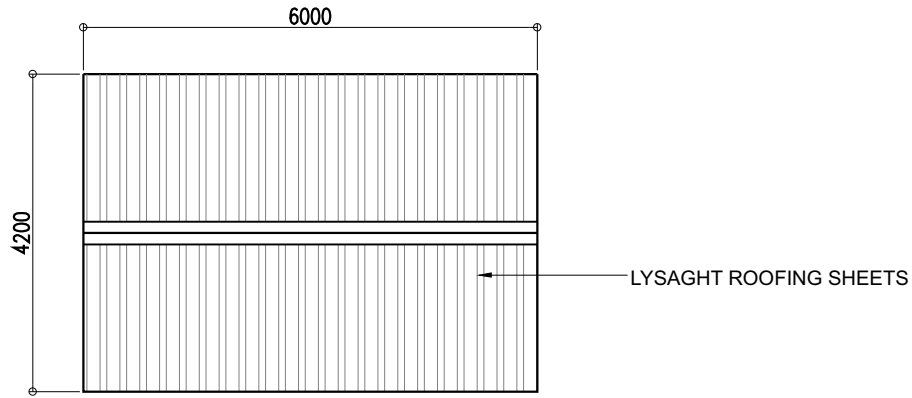
GROUND FLOOR DECK PLAN
SCALE - 1:100



FIRST FLOOR PLAN
SCALE - 1:100

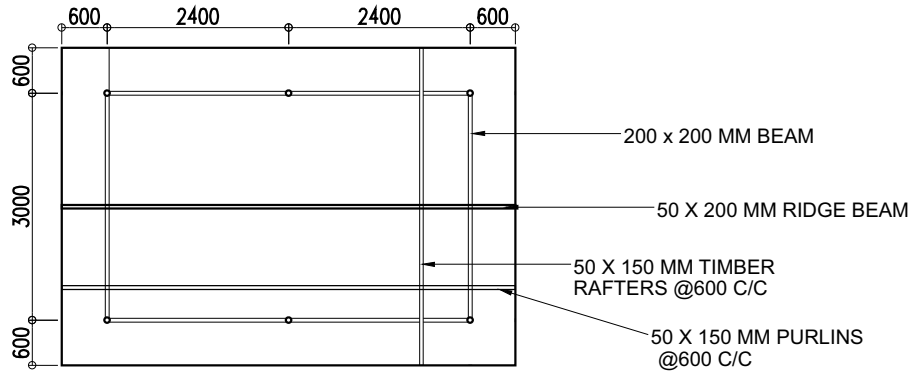


FIRST FLOOR DECK PLAN
SCALE - 1:100



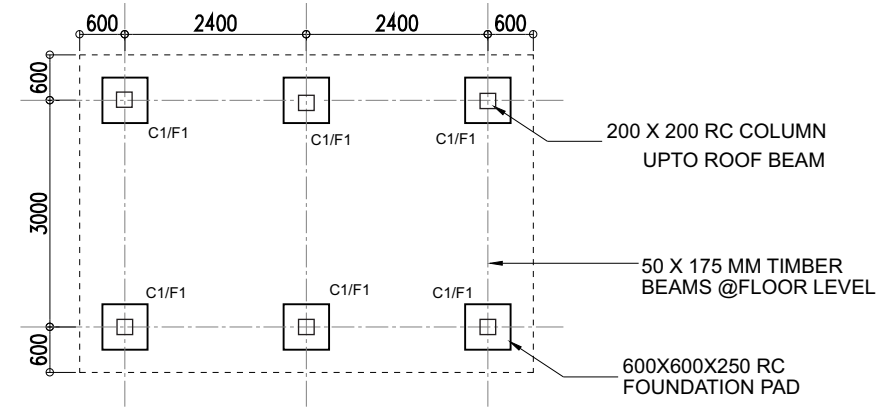
ROOF PLAN

SCALE - 1:100



ROOF PLAN

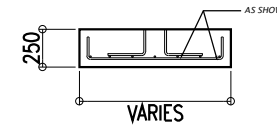
SCALE - 1:100



COLUMN & FOUNDATION PLAN

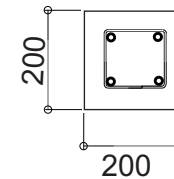
SCALE - 1:100

F1 - 600 X600 X250MM
T10@150C/C, BW

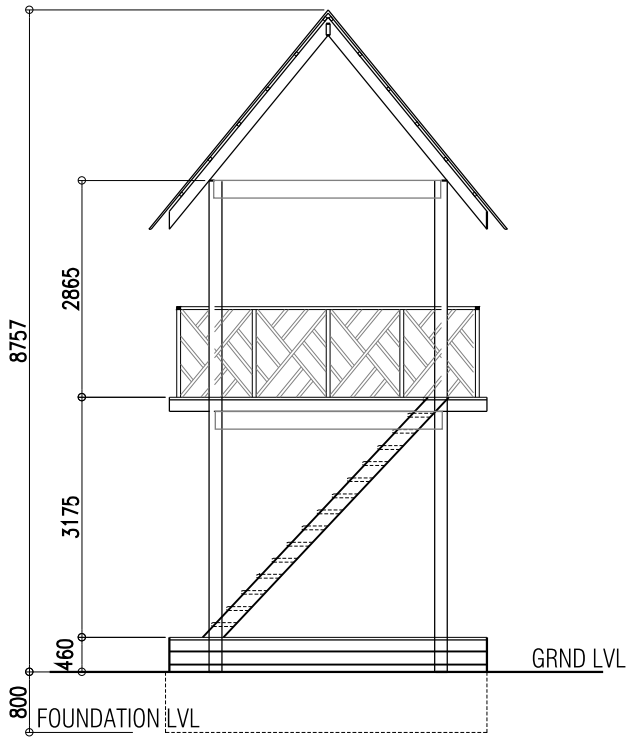


FOUNDATION DETAILS

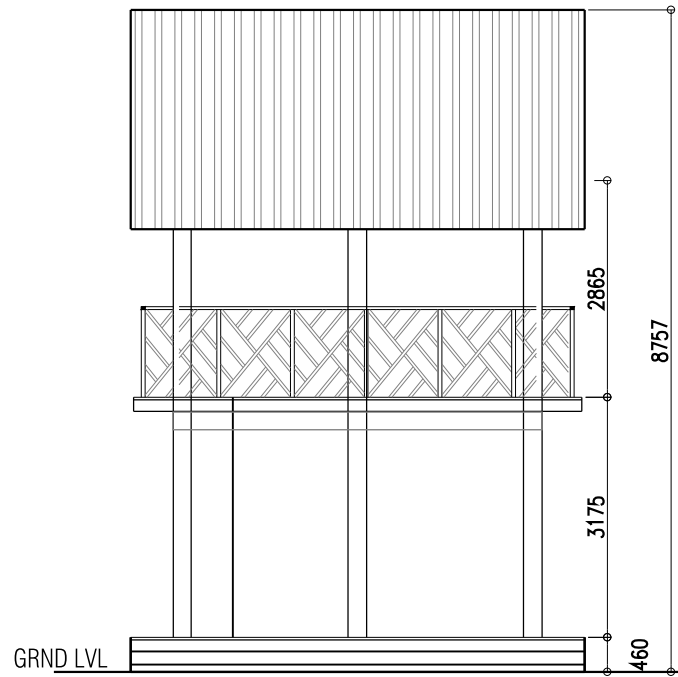
C1 - 200 X 200
RC COLUMN
T10@150C/C



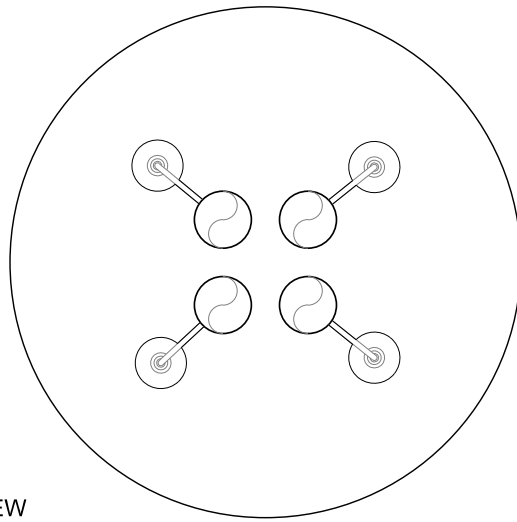
COLUMN DETAILS



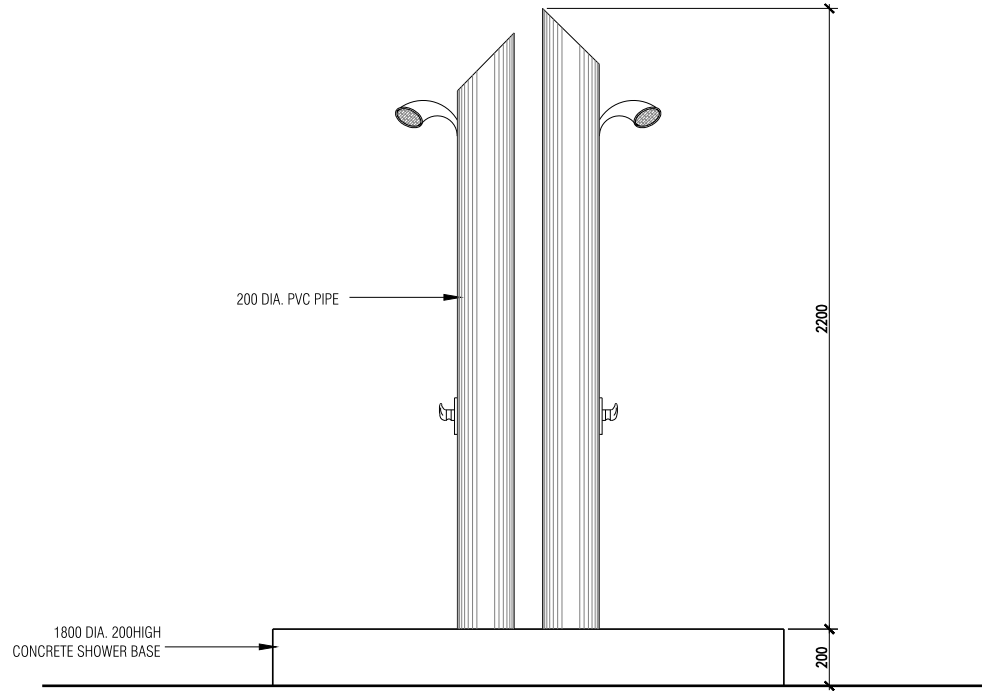
SECTION
SCALE - 1:100



ELEVATION
SCALE - 1:100

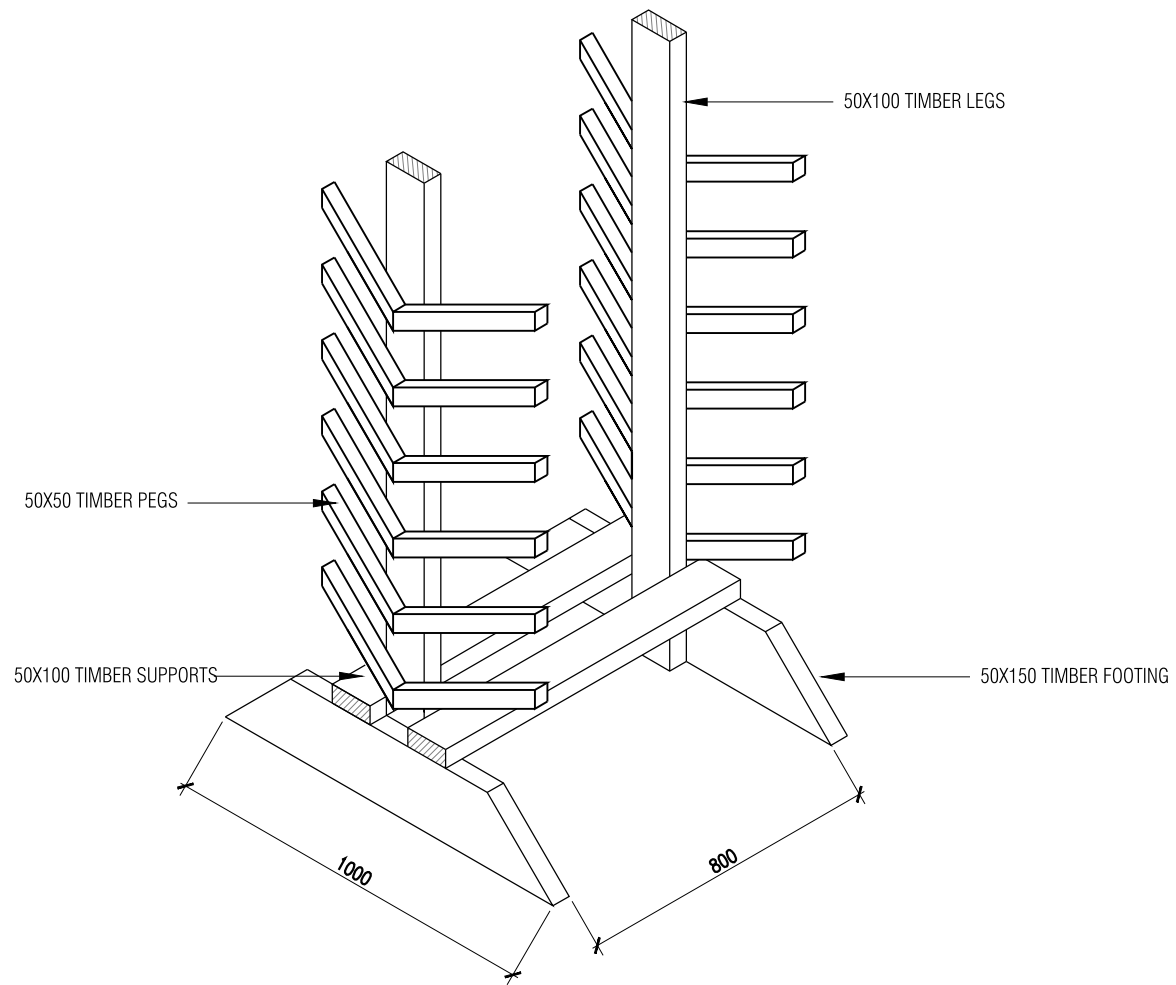


TOP VIEW



ELEVATION

OUTDOOR SHOWER
SCALE 1:20



WOODEN SURF BOARD RACK
SCALE 1:20