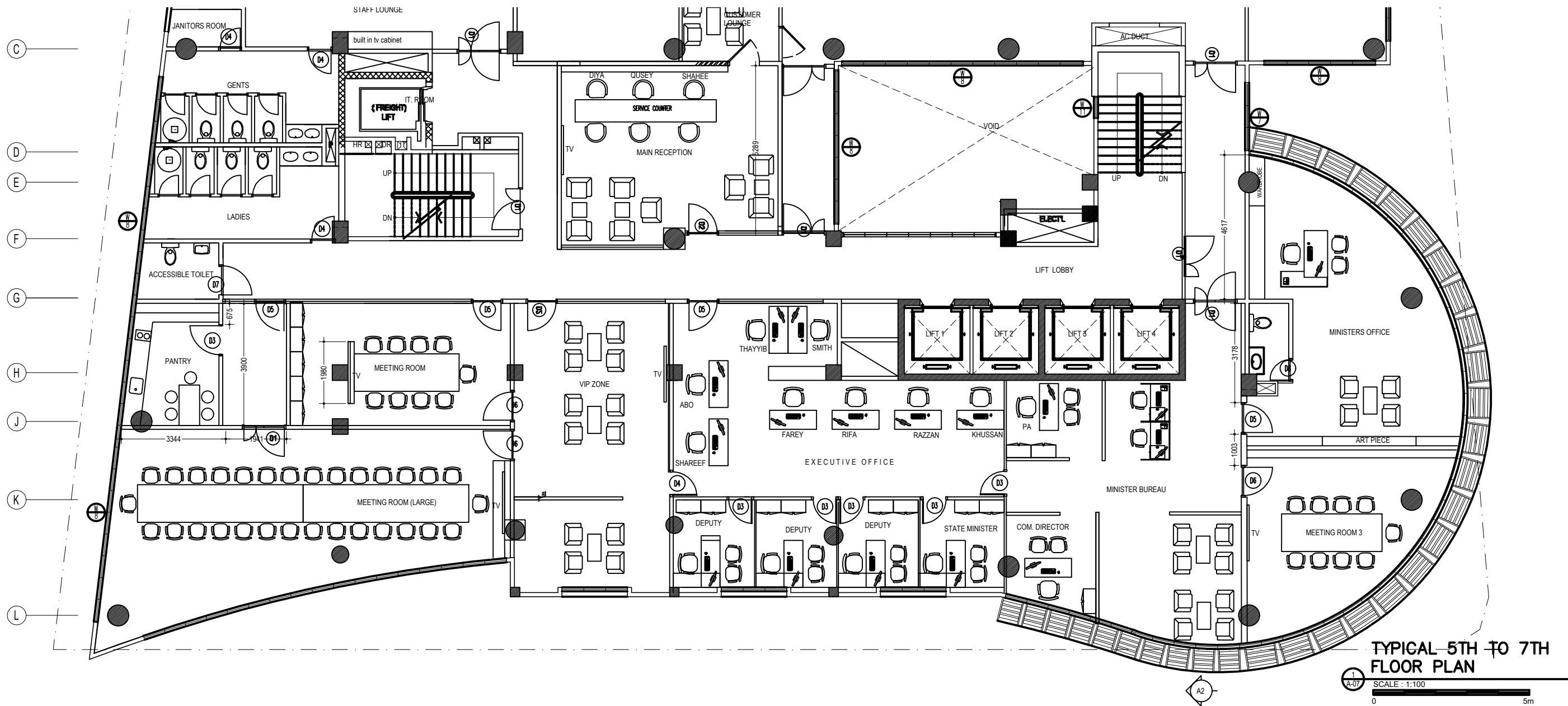


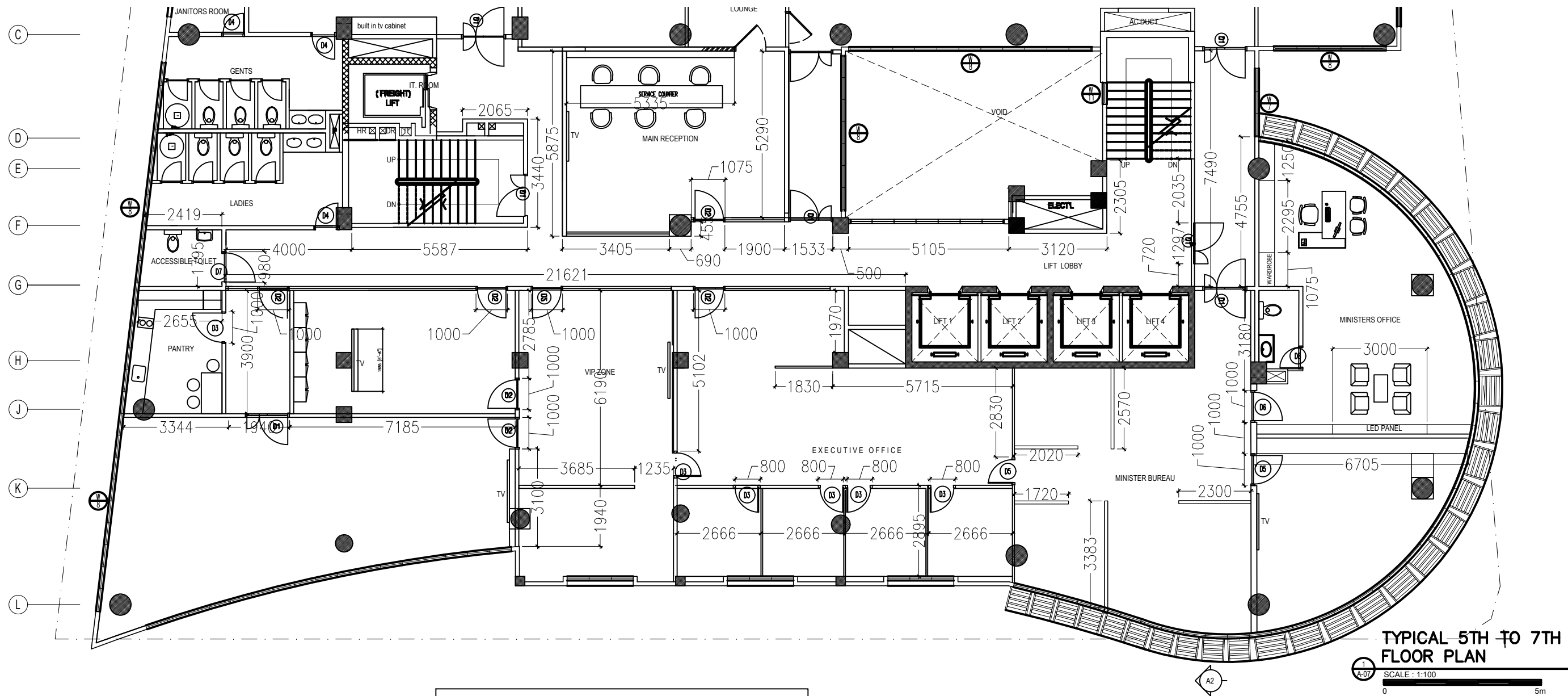
10 رُءُورِءِ

**DRAWINGS**



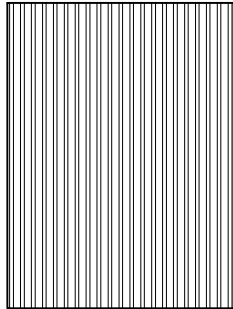
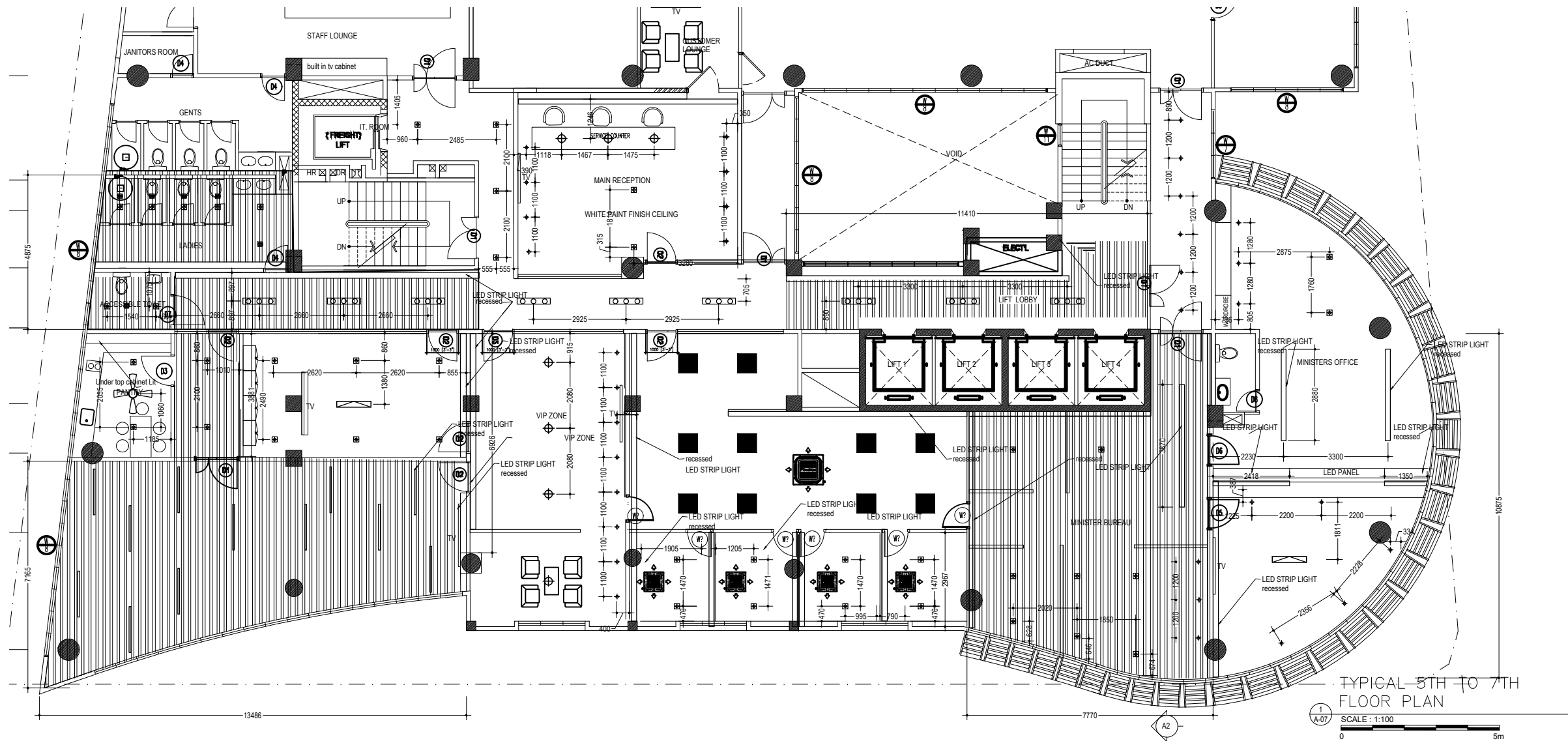
**FLOOR PLAN (REVISED 01.12.2020)**  
SCALE 1:100

**TYPICAL 5TH TO 7TH FLOOR PLAN**  
SCALE: 1:100  
0 5m



**WALL PLAN (REVISED 01.12.2020)**  
SCALE 1:100

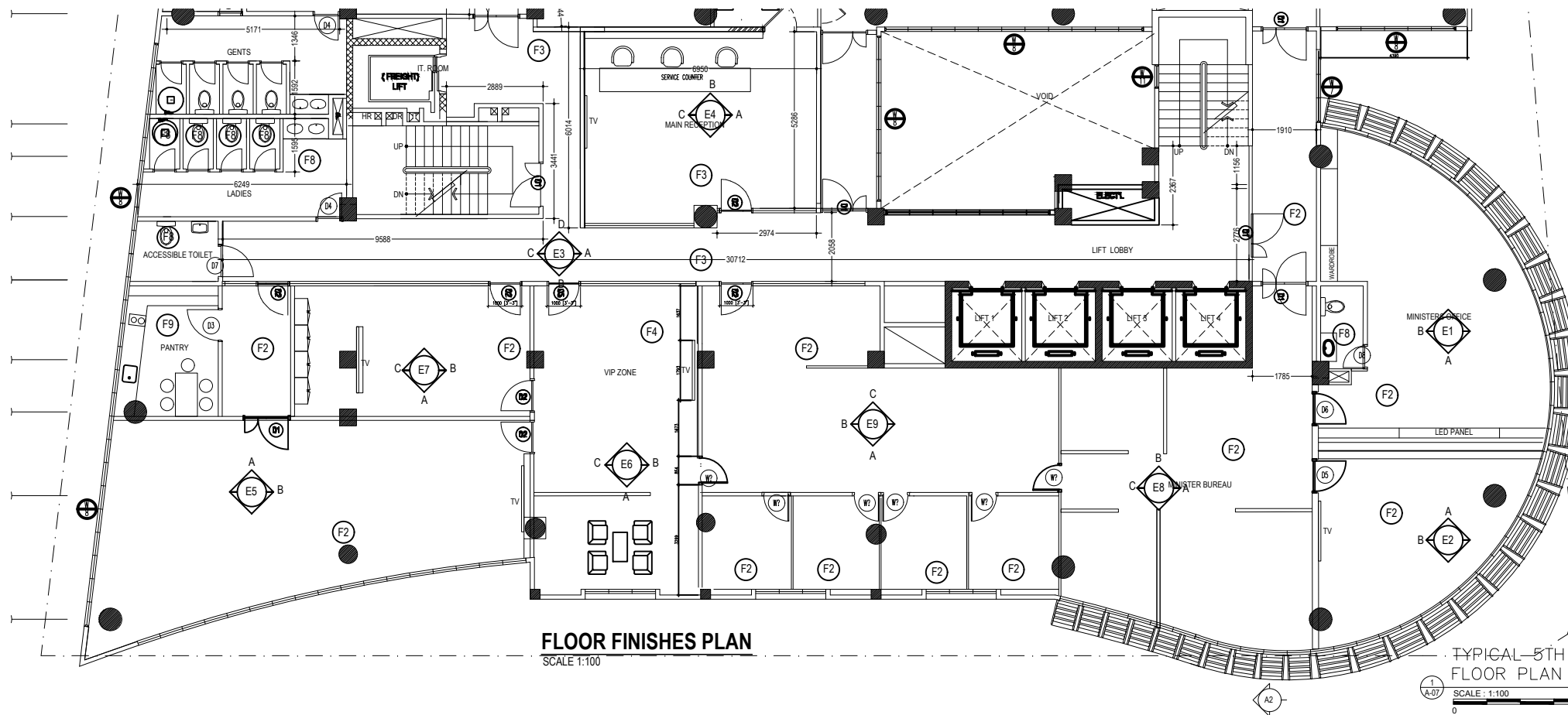
**TYPICAL 5TH TO 7TH FLOOR PLAN**  
SCALE: 1:100  
0 5m



WOOD STRIP CLADDING

TYPICAL 5TH TO 7TH FLOOR PLAN

SCALE: 1:100  
0 5m



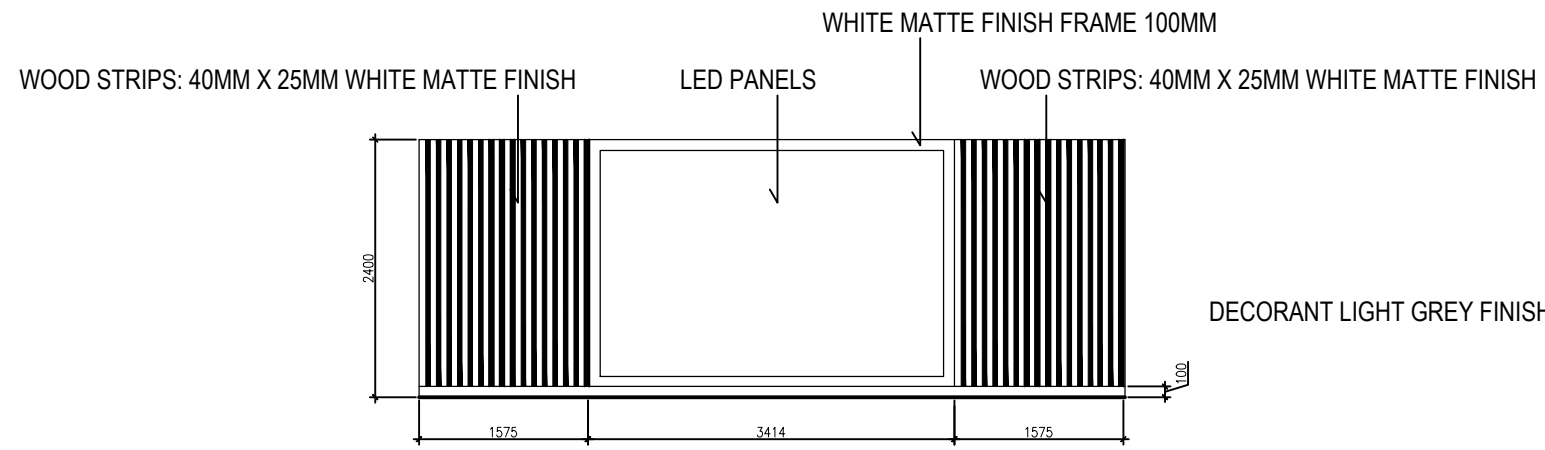
**FLOOR FINISHES PLAN**  
SCALE 1:100

- (F2) PREMIER FLOOR SHIFT/TROPICAL TR06 BLUEBERRY - FROM GOODRICH OR SIMILAR  
OR F7\_T10854\_Cerulean - FROM GOODRICH OR SIMILAR  
4000 sqft
- (F3) TERAZZO LOOK STONE FLOORING (MAZIA)  
LIGHT GREY /WHITE/GLASS PARTICLES MIX
- (F4) CARPET TILE COMPOSITION - SINAF 540 SQFT
- (F8) COTTO GP SIMP STONE LIGHT GREY - RAINBOW (ALL BATHROOM GENERAL FLOOR AND WALL TILE)
- COTTO HIDWYALP-LTGR 2448 - RAINBOW ALL BATHROOM FEATURE WALLS

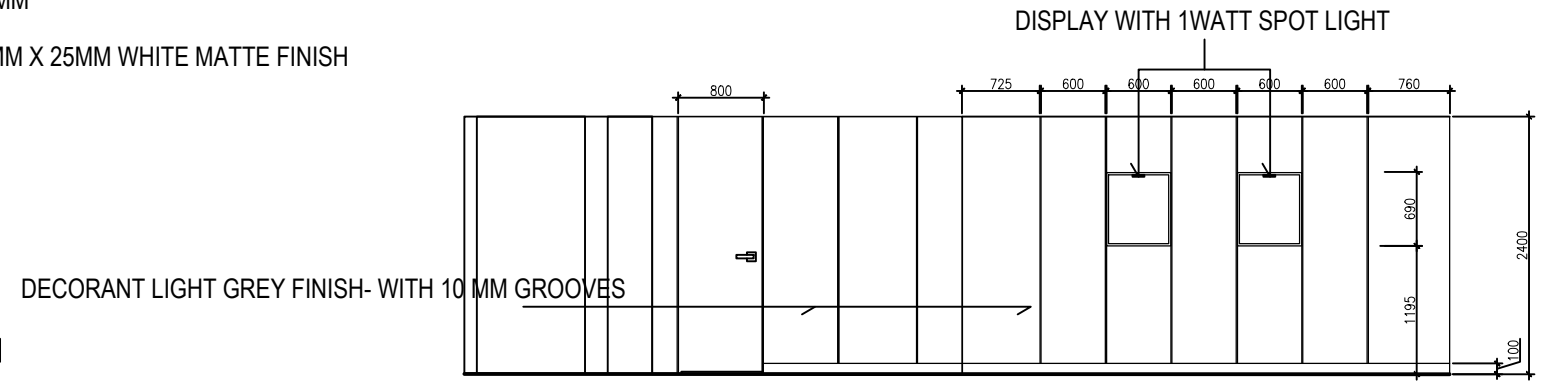
LEGEND:  
 100 MM THK. PARTITION WALL WITH ROCKWOOL OR SOUND PROOFING  
 FRAMELESS TEMPERED GLASS PARTITIONS WITH TINTED BLUE PRINT DARK TO LIGHT FROM BOTTOM TO 1400MM FROM FFL PREFERABLY DOUBLE GLAZED WITH THE PRINT BETWEEN TWO GLASS

TYPICAL 5TH TO 7TH FLOOR PLAN

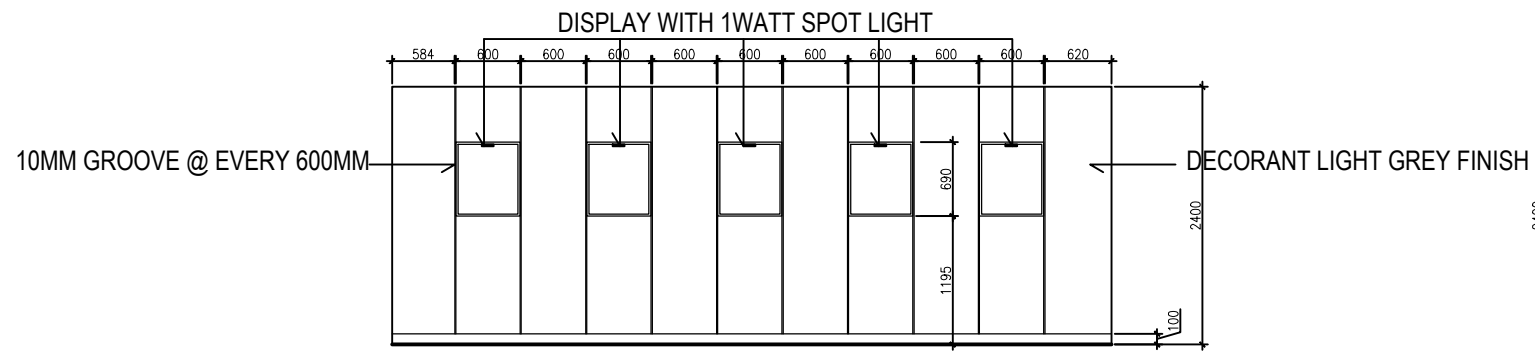
SCALE : 1:100  
0 5m



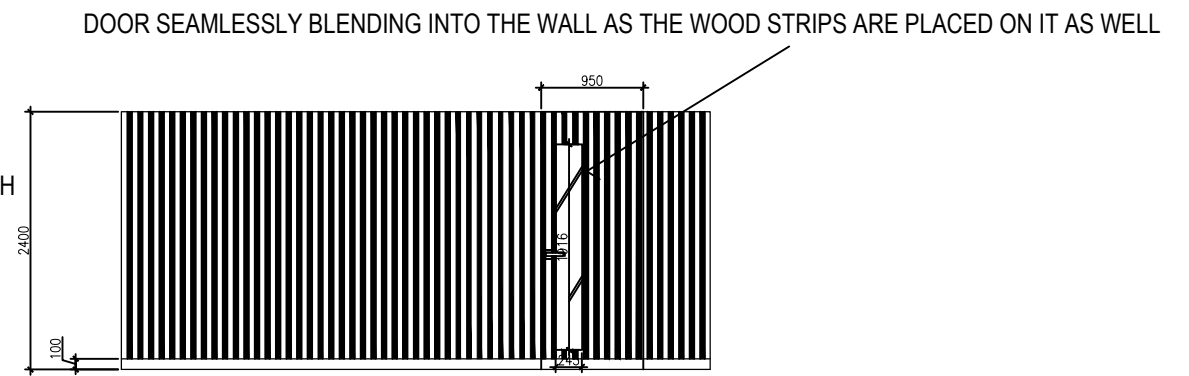
MINISTER OFFICE E1 A



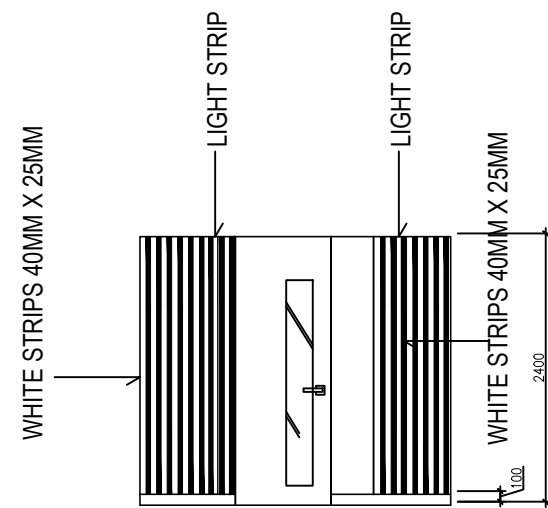
MINISTER OFFICE: E1 B



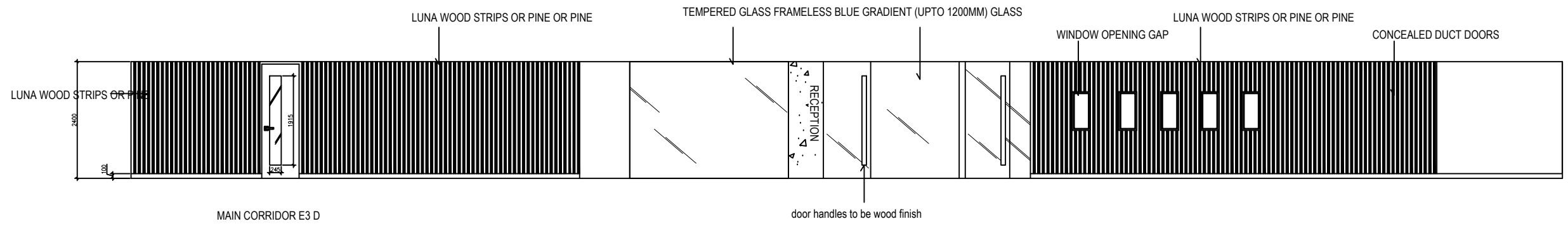
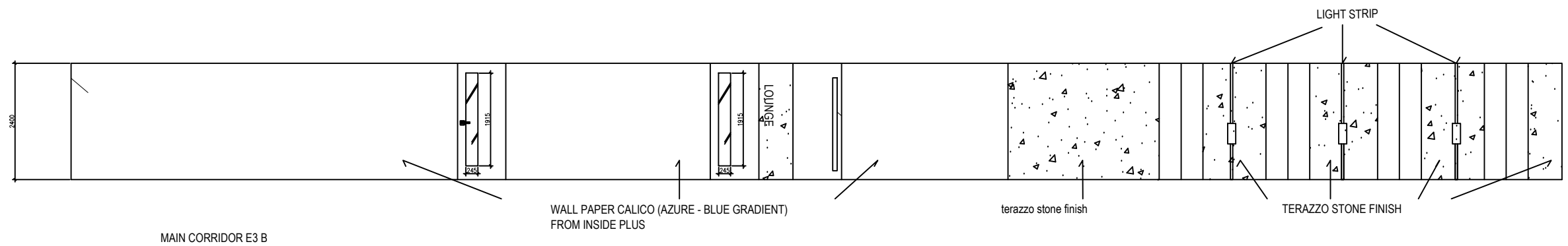
MINISTER MEETING ROOM E2 A

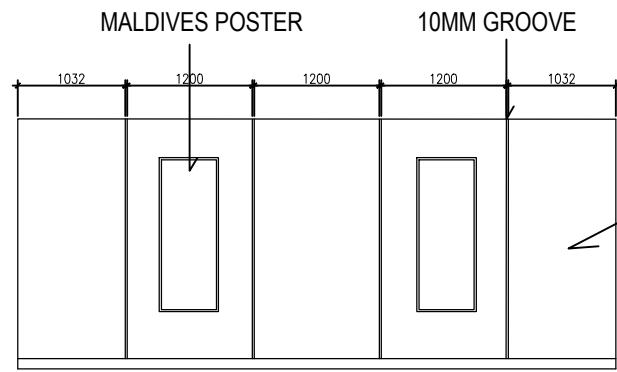


MINISTER MEETING ROOM E2 B



MAIN CORRIDOR E3 A

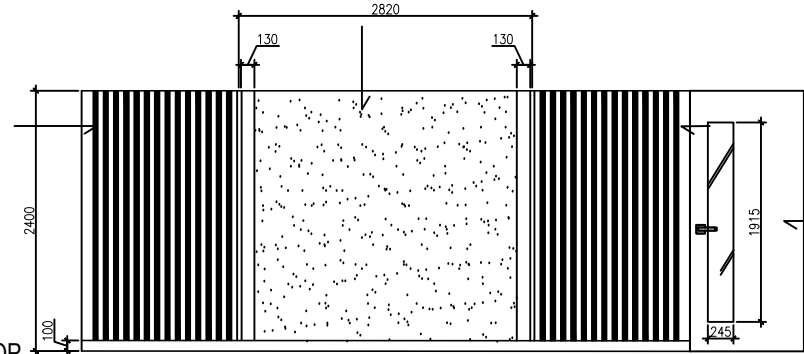




MAIN RECEPTION E4 A

DECORANT LIGHT GREY FINISH

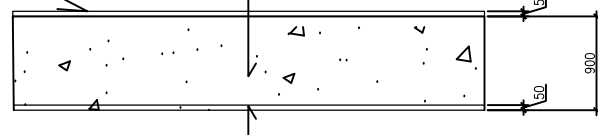
FEATURE WALL (island bazaar) WITH ministry of tourism IN BRUSHED METALLIC LETTERS



DECORANT LIGHT GREY FINISH

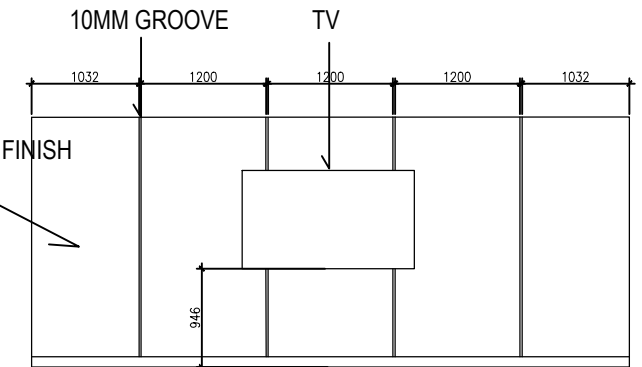
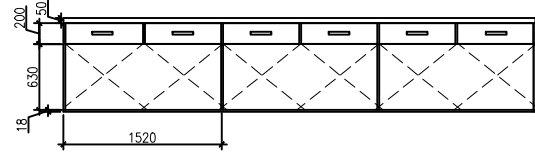
LUNA MATTE WOOD TOP

COUNTER IN TERRAZZO STONE SAME AS FLOOR MATERIAL



UNDER COUNTER LIT IN BLUE LED STRIP

MAIN RECEPTION E4 B & COUNTER



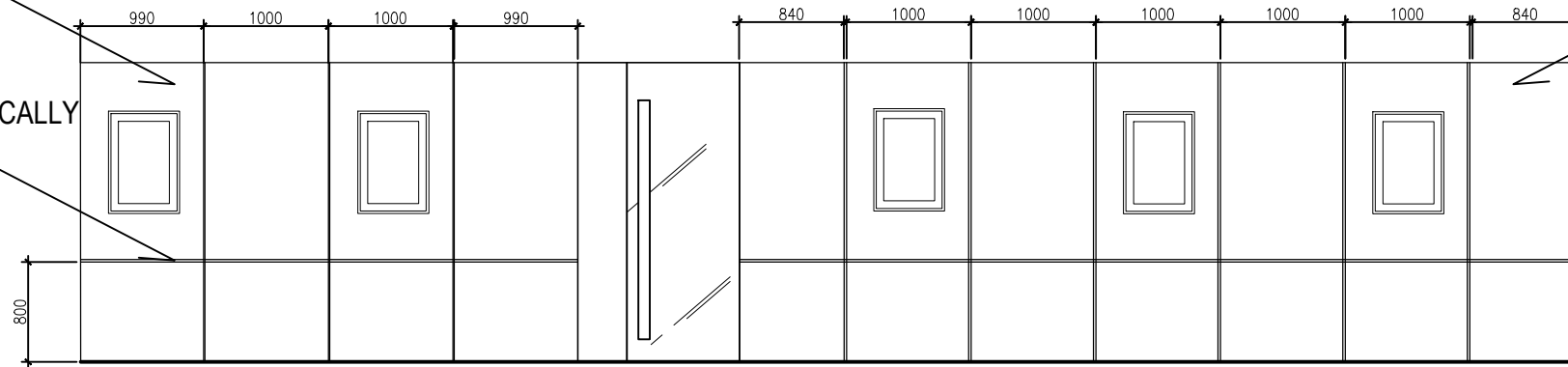
DECORANT LIGHT GREY FINISH

MAIN RECEPTION E4 C



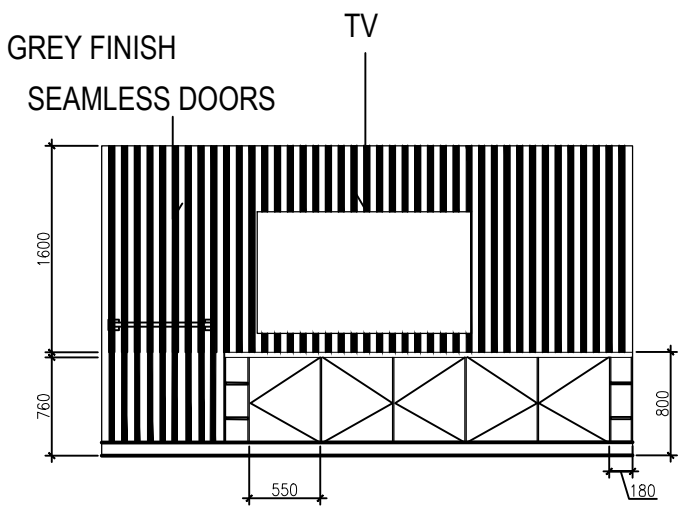
DECORANT LIGHT GREY FINISH

10 MM GROOVES VERTICALLY  
AND HORIZONTALLY



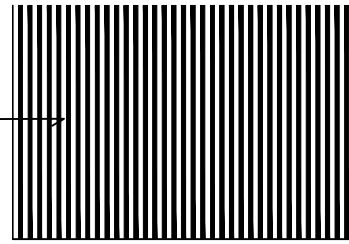
LARGE MEETING ROOM E5 A

DECORANT LIGHT GREY FINISH



LARGE MEETING ROOM E5 B

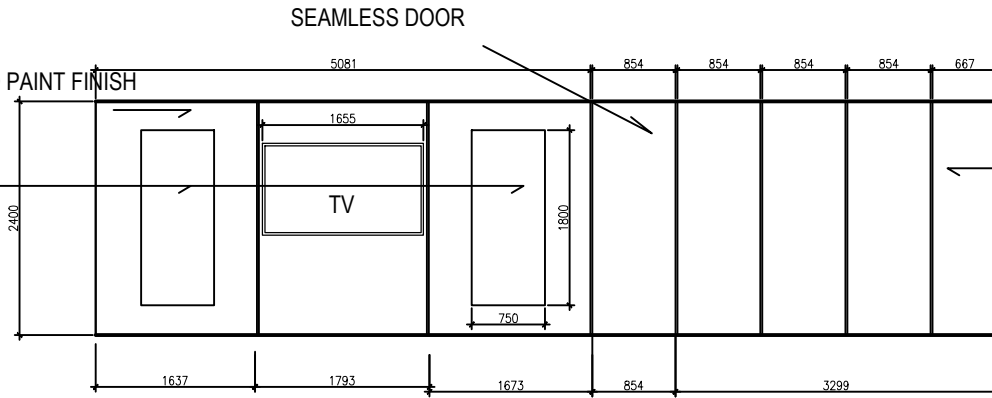
LUNA WOOD STRIPS/PINE @45 X 25 WITH 35MM SPACING



VIP ROOM E6 C

DECORANT LIGHT GREY TEXTURED PAINT FINISH

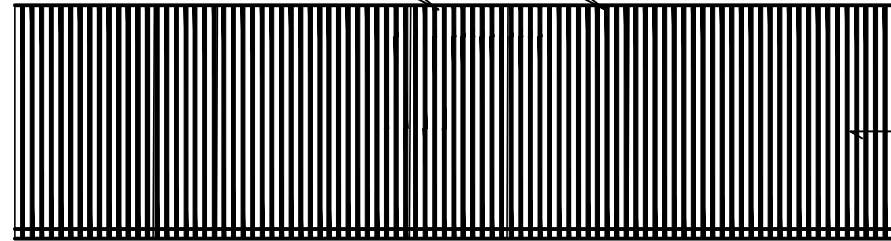
GADHEEMEE ART WORK



VIP ROOM E6 B

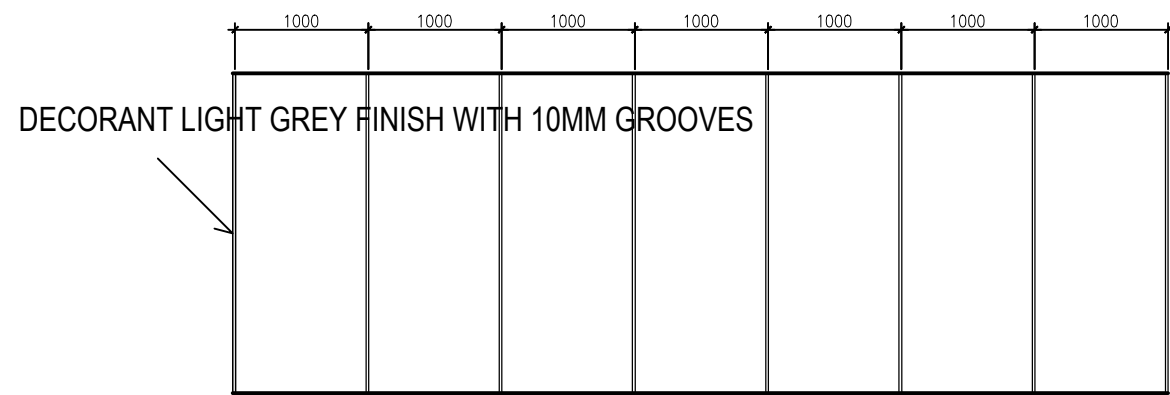
DECORANT LIGHT GREY TEXTURED PAINT FINISH WITH 10MM GROOVES

SEAMLESS DOOR

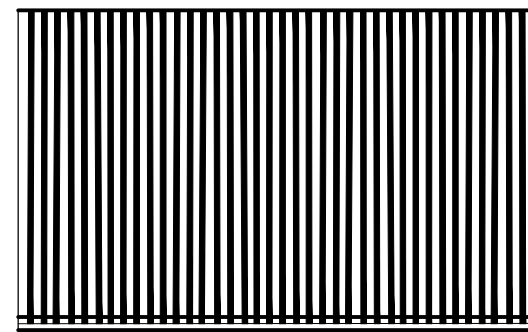


LUNA WOOD STRIPS/PINE @45 X 25 WITH 35MM SPACING

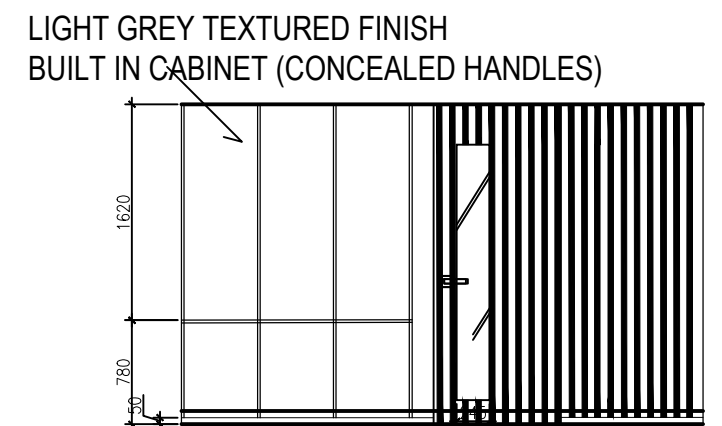
VIP ROOM E6 C



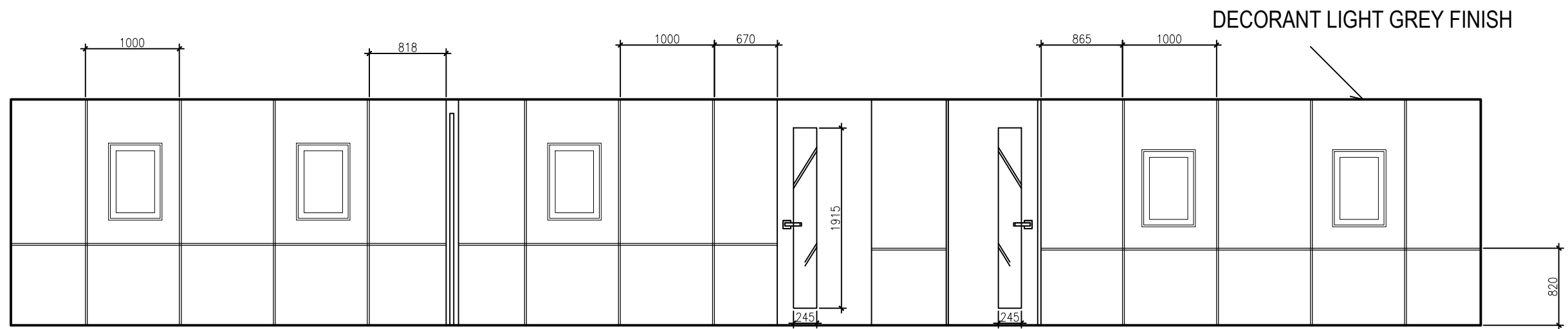
MASTER PLAN ROOM E7 A



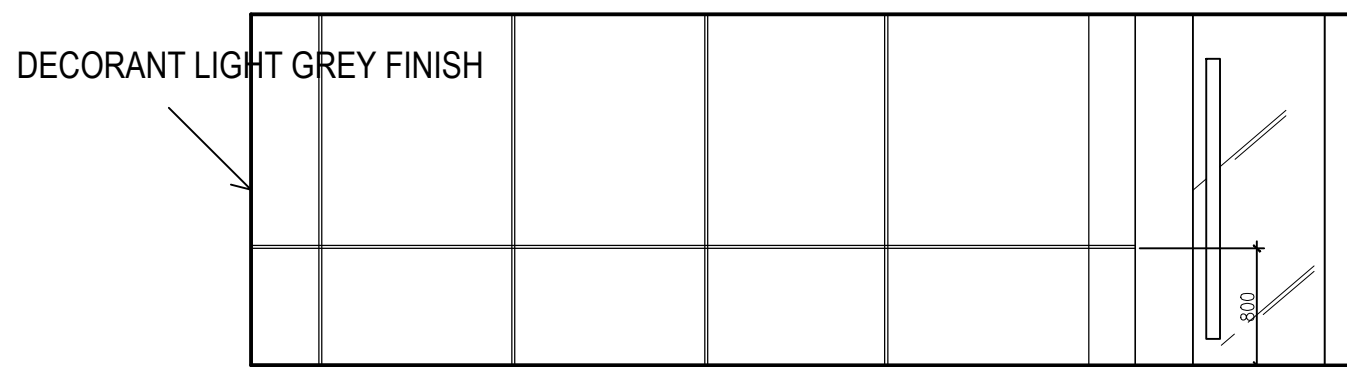
MASTER PLAN ROOM E7 B



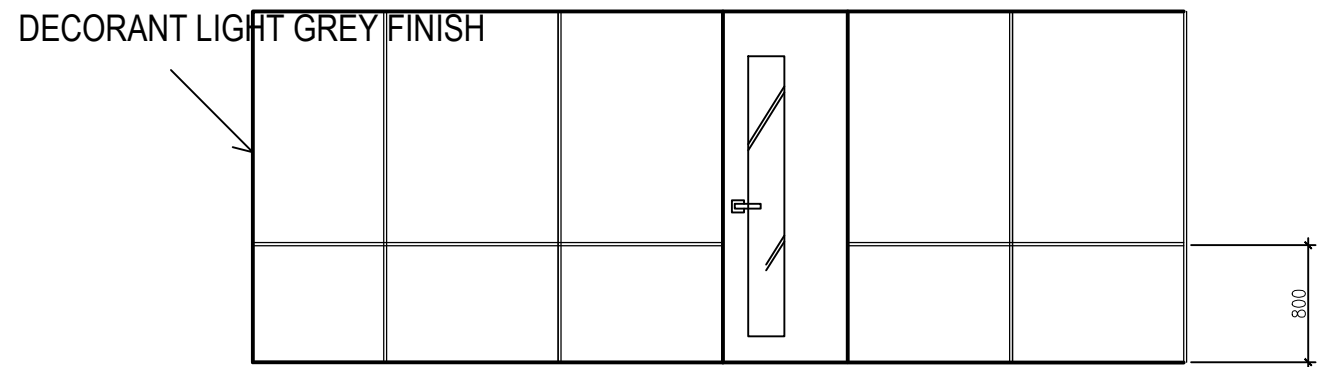
MASTER PLAN ROOM E7 C



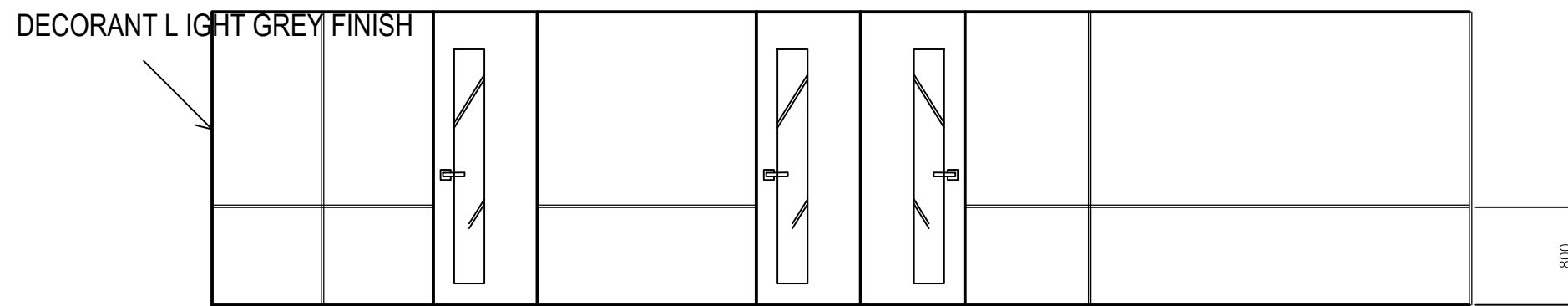
MINISTER BUREAU E8 A

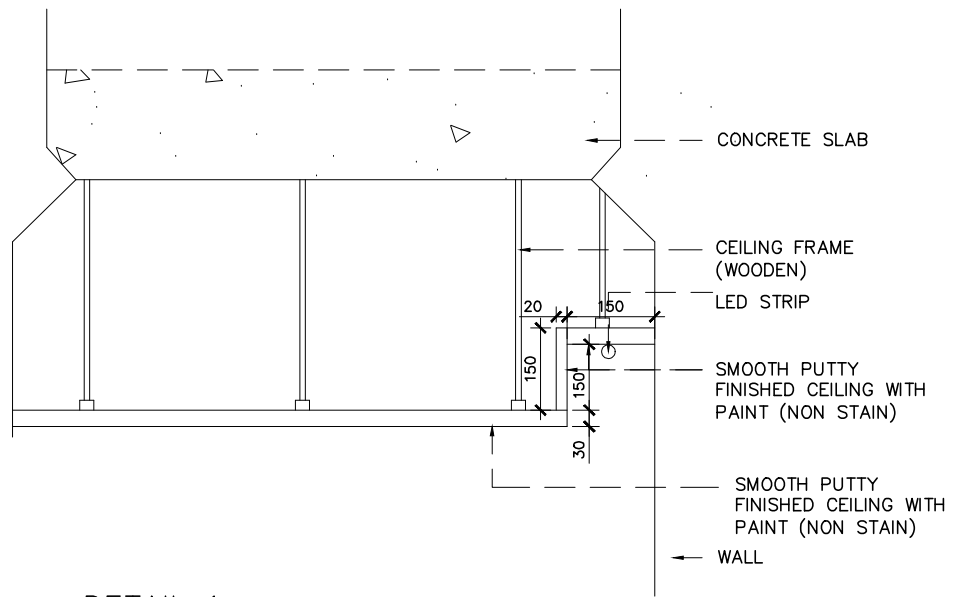


MINISTER BUREAU ROOM E8 B

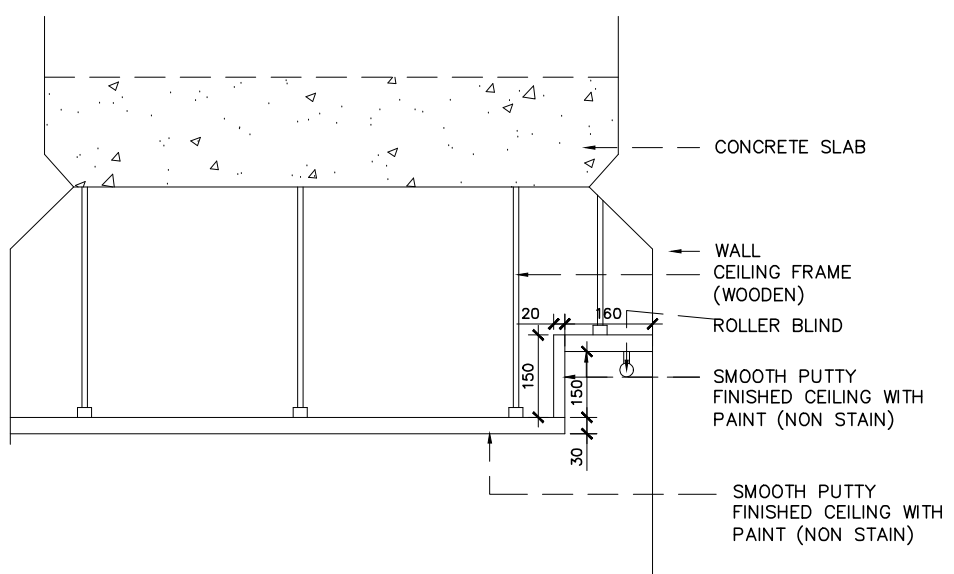


MINISTER BUREAU E8 C

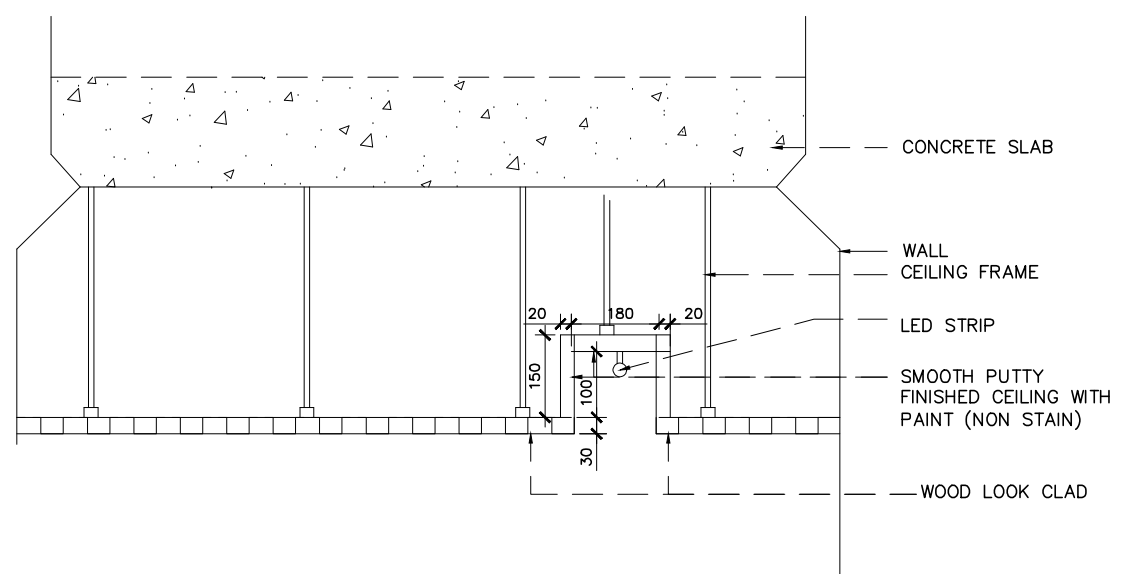




DETAIL 1.  
CEILING LED STRIP DETAILS



DETAIL 2.  
ROLLER BLIND INSTALLATION



DETAIL 3  
LED STRIP LIGHT INSTALLATION  
WITH WOOD DECORATIVE CLAD

**CEILING DETAILS**

SYMBOL	D1	D2	D3	D4	D5	D6	D7
ELEVATION							
LOCATION	5TH FLOOR	5TH FLOOR	5TH FLOOR	5TH FLOOR	5TH FLOOR	5TH FLOOR	5TH FLOOR
QUANTITY	05	02	6	1	4	4	1
FRAME	TEMPERED GLASS FRAMELESS	TEMPERED GLASS FRAMELESS	Treated timber	Treated timber	Treated timber	WOOD CLAD WHITE FROM INSIDE	Treated timber
FINISH	TEMPERED	TEMPERED	WITH GLASS SLOT		BLENDS WITH WALL	BLENDS WITH WALL INSIDE. OUTSIDE GREY	
REMARKS	TIMBER FINISH DOOR HANDLE + LOCK	TIMBER FINISH DOOR HANDLE + LOCK		DECORANT PAINT FINISH+ LOCK	WHITE FINISH DOOR + LOCK	TIMBER FINISH DOOR + LOCK	PAINT FINISH DOOR + LOCK

**NOTE:**

- Shop drawings and technical specifications for all aluminium doors and windows showing details of sections, assembly, type of locks, hinges, bolts and handles should be submitted by the contractor for the consultants approval.
- All elevations shown from outside
- For doors see swings indicated on floor plans.
- All measurements to be checked on site.

**DOOR SCHEDULE 2**

SCALE 1:50