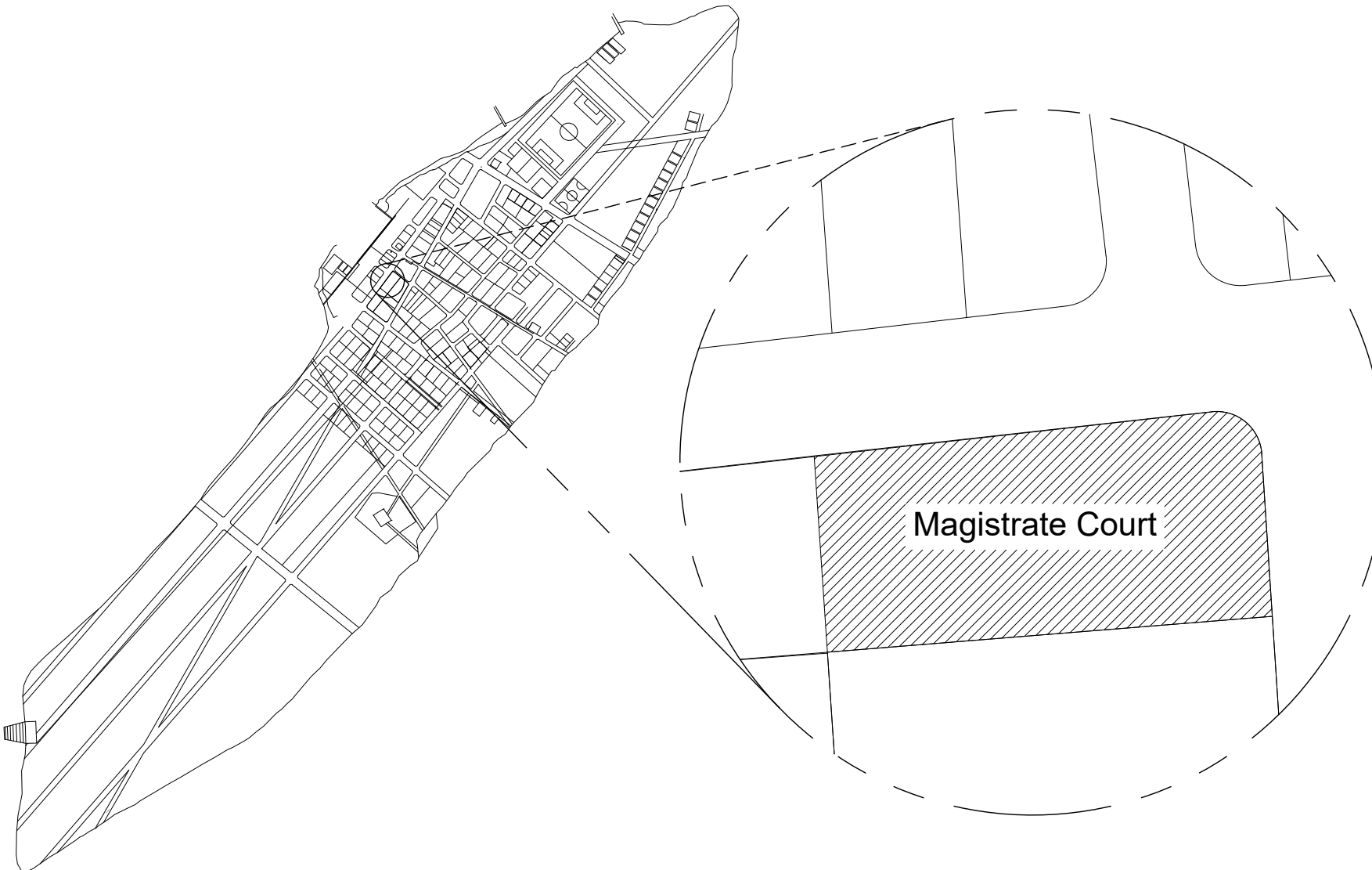


MAGISTATE COURT, M. VEYVAH  
PROPOSED SINGLE STORY BUILDING  
ARCHITECTURAL & STRUCTURAL DRAWINGS  
25.10.2021  
CLIENT: DEPARTMENT OF JUDICIAL ADMINISTRATION



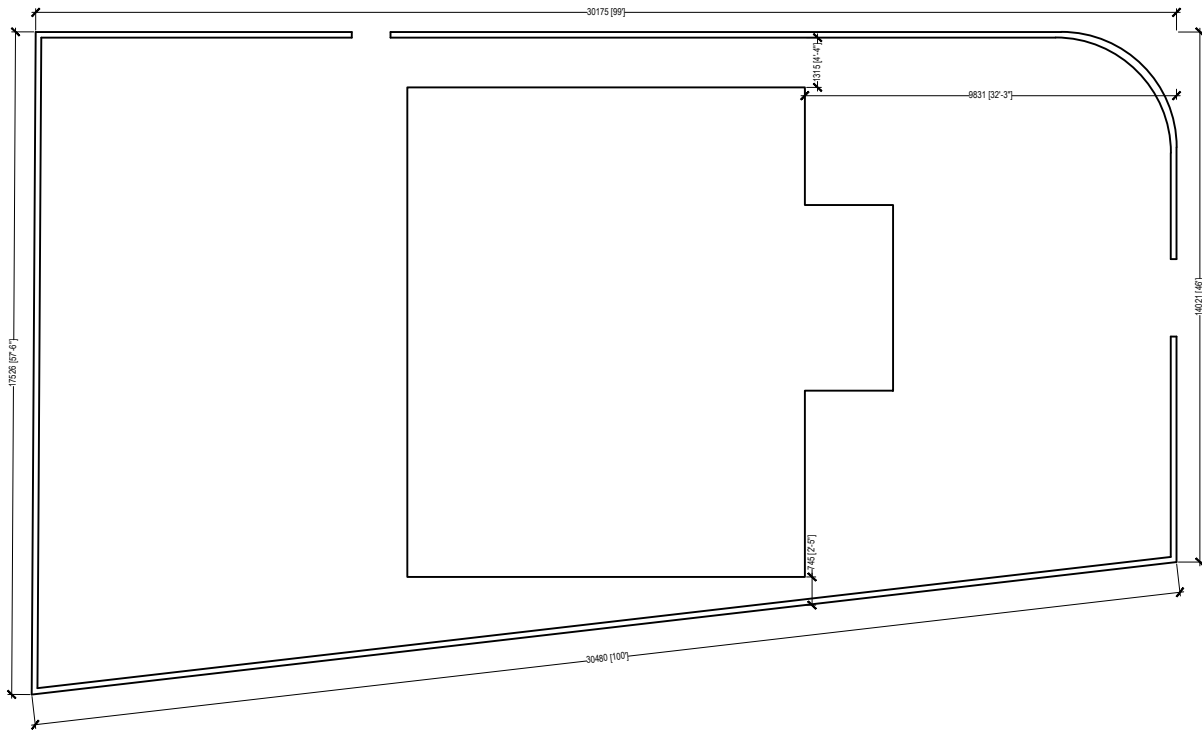
LOCATION PLAN

NTS

<u>DRAWING TITLE</u>	<b>LOCATION PLAN</b>
<u>PROJECT TITLE</u>	<b>MAGISTRATE COURT M. VEYVAH</b>
<u>CLIENT</u>	DEPARTMENT OF JUDICIAL ADMINISTRATION
<u>DRAFTED BY</u>	MOHAMED ZAHIR

<u>ARCHITECT</u>	
<u>ARC. CHECKER</u>	
<u>STRUCTURAL ENGINEER</u>	
<u>STRUCTURAL CHECKER</u>	

<u>DATE</u>	25/10/2021
<u>PAPER SIZE</u>	A4
<u>SCALE</u>	AS GIVEN
<u>UNIT</u>	MM



DRAWING TITLE  
**SITE PLAN**

---

PROJECT TITLE  
**MAGISTRATE COURT  
M.VEYVAH**

---

CLIENT  
DEPARTMENT OF JUDICIAL  
ADMINISTRATION

---

DRAFTED BY  
MOHAMED ZAHIR

ARCHITECT

---

ARC. CHECKER

---

STRUCTURAL ENGINEER

---

STRUCTURAL CHECKER

DATE 03/01/2021

---

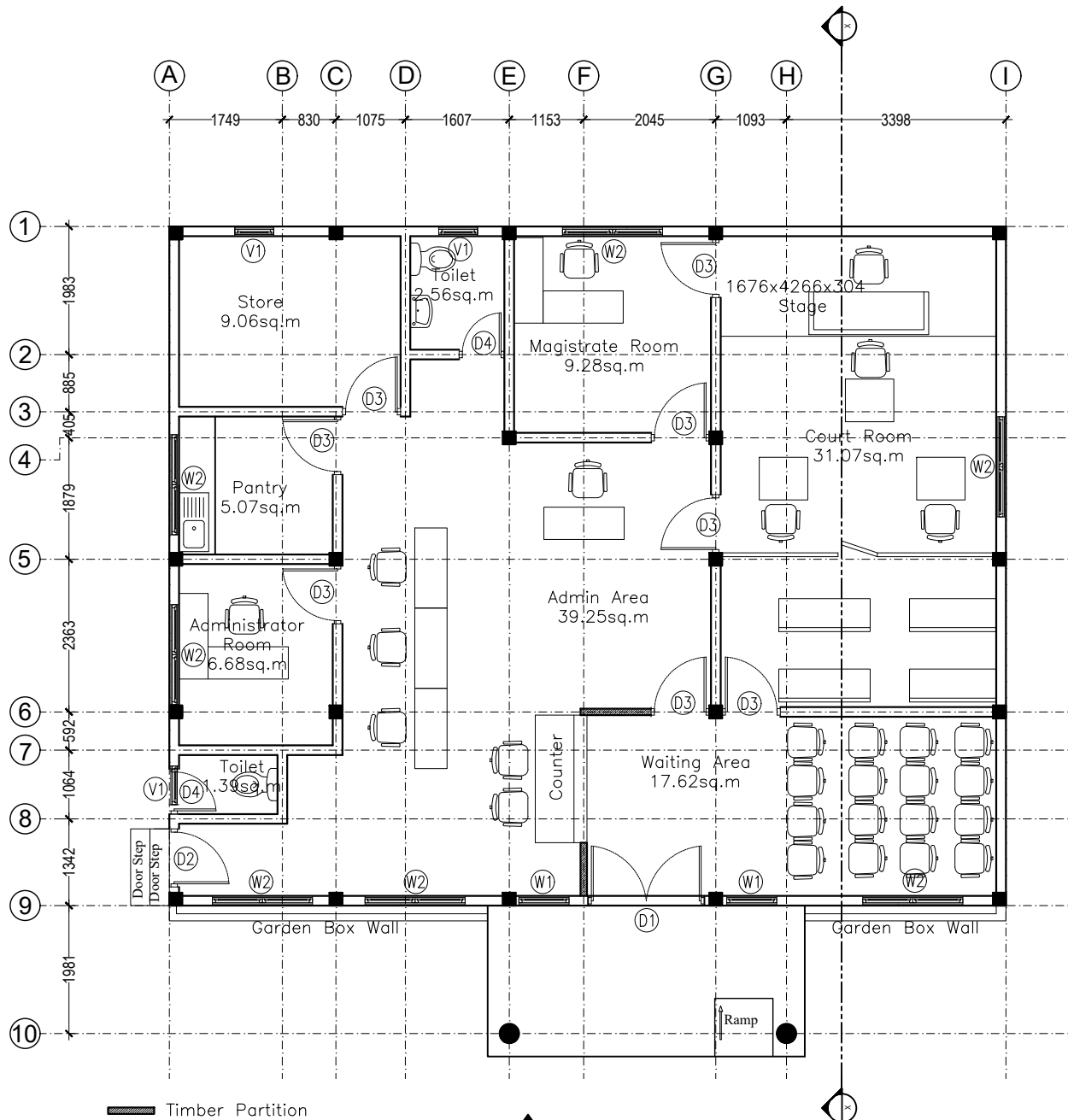
PAPER SIZE A4

---

SCALE 1:200

---

UNIT MM



**FLOOR PLAN**  
SCALE 1:100

**DRAWING TITLE**  
FLOOR PLAN

**PROJECT TITLE**  
MAGISTRATE COURT  
M. VEYVAH

**CLIENT**  
DEPARTMENT OF JUDICIAL  
ADMINISTRATION

**DRAFTED BY**  
MOHAMED ZAHIR

**ARCHITECT**

**ARC. CHECKER**

**STRUCTURAL ENGINEER**

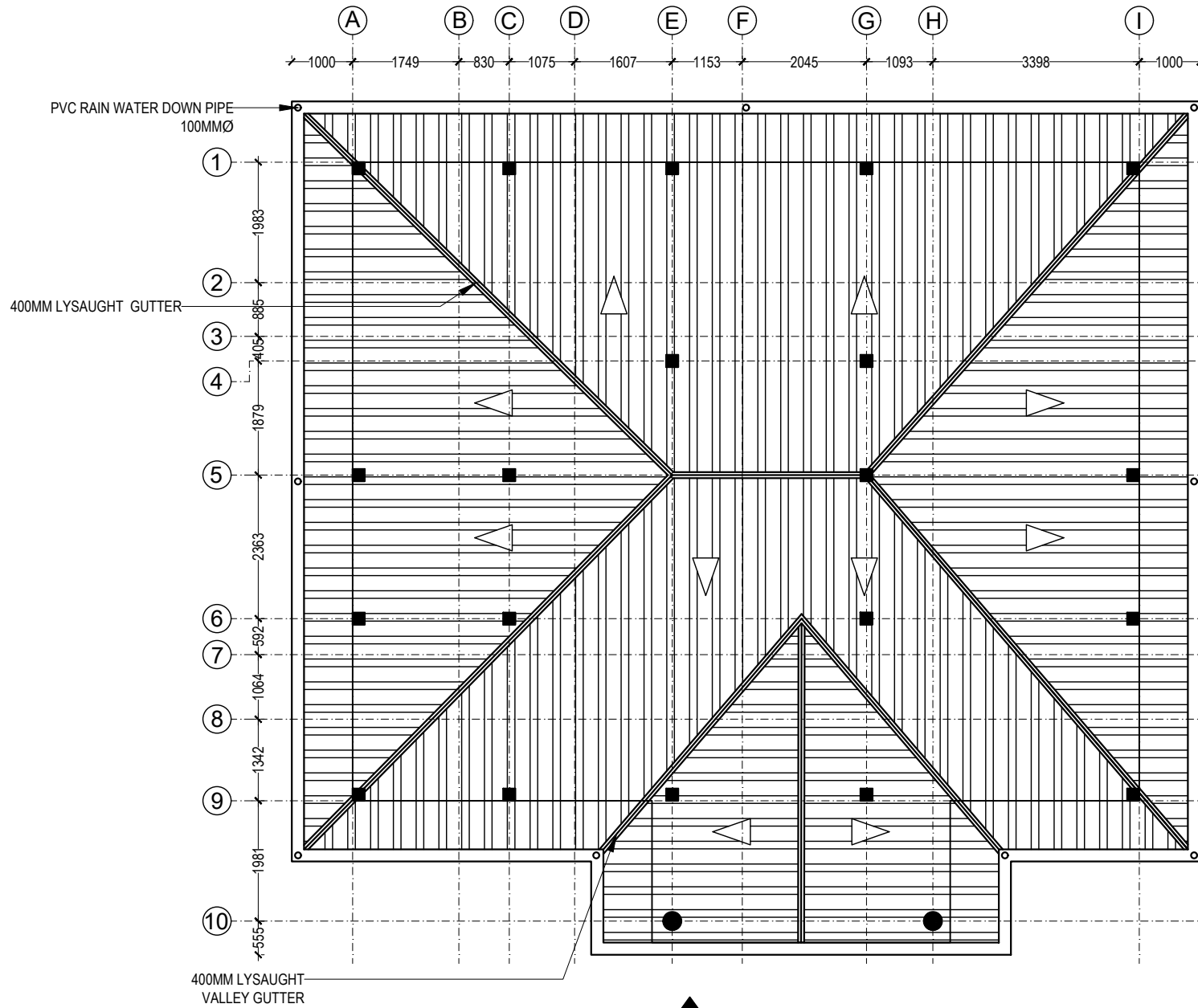
**STRUCTURAL CHECKER**

**DATE** 25/10/2021

**PAPER SIZE** A4

**SCALE** AS GIVEN

**UNIT** MM



DRAWING TITLE  
**UPPER ROOF PLAN**

---

PROJECT TITLE  
**MAGISTRATE COURT  
M. VEYVAH**

---

CLIENT  
DEPARTMENT OF JUDICIAL  
ADMINISTRATION

---

DRAFTED BY  
MOHAMED ZAHIR

ARCHITECT

---

ARC. CHECKER

---

STRUCTURAL ENGINEER

---

STRUCTURAL CHECKER

DATE 25/10/2021

---

PAPER SIZE A4

---

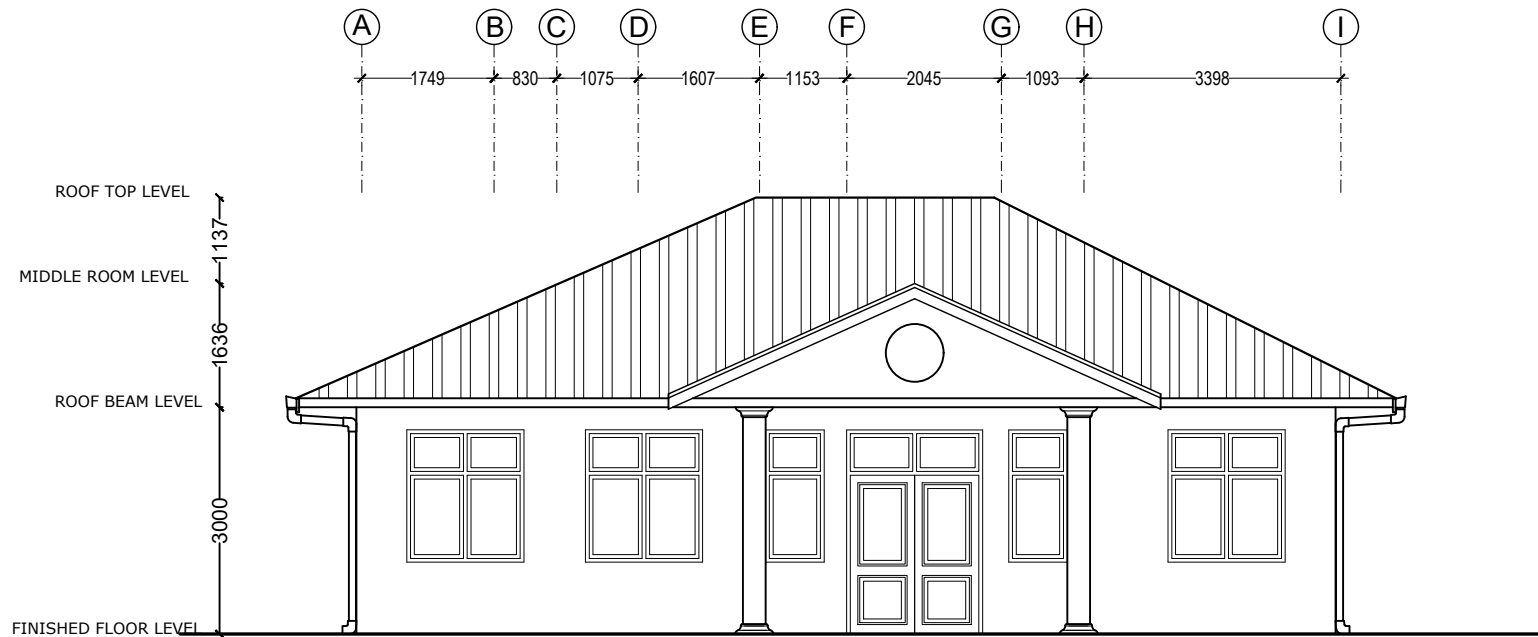
SCALE AS GIVEN

---

UNIT MM

**UPPER ROOF PLAN**  
SCALE 1:100





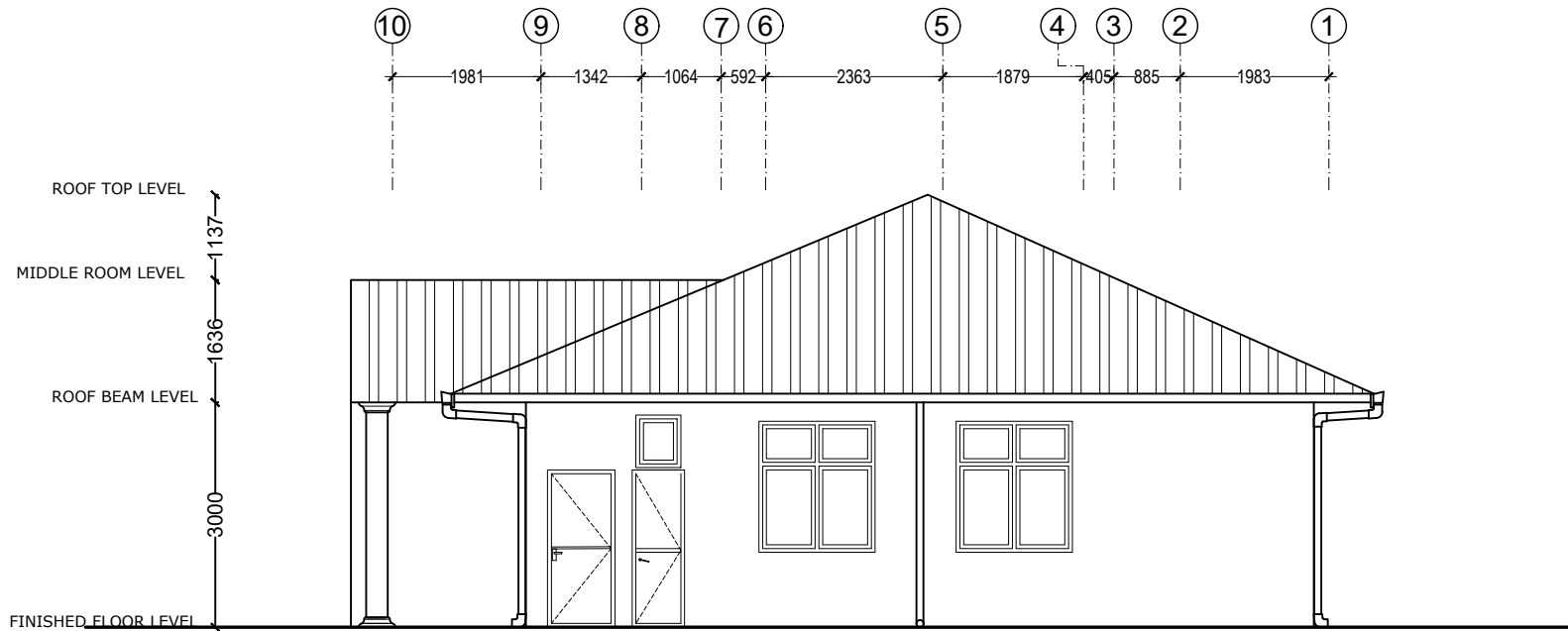
# ELEVATION 01

SCALE 1:100

<u>DRAWING TITLE</u>	<b>ELEVATION 01</b>
<u>PROJECT TITLE</u>	<b>MAGISTRATE COURT M. VEYVAH</b>
<u>CLIENT</u>	DEPARTMENT OF JUDICIAL ADMINISTRATION
<u>DRAFTED BY</u>	MOHAMED ZAHIR

<u>ARCHITECT</u>	
<u>ARC. CHECKER</u>	
<u>STRUCTURAL ENGINEER</u>	
<u>STRUCTURAL CHECKER</u>	

<u>DATE</u>	25/10/2021
<u>PAPER SIZE</u>	A4
<u>SCALE</u>	AS GIVEN
<u>UNIT</u>	MM



DRAWING TITLE  
**ELEVATION 02**

---

PROJECT TITLE  
**MAGISTRATE COURT**  
**M. VEYVAH**

---

CLIENT  
 DEPARTMENT OF JUDICIAL  
 ADMINISTRATION

---

DRAFTED BY  
 MOHAMED ZAHIR

ARCHITECT  
 -----  
ARC. CHECKER  
 -----  
STRUCTURAL ENGINEER  
 -----  
STRUCTURAL CHECKER  
 -----

DATE 25/10/2021

---

PAPER SIZE A4

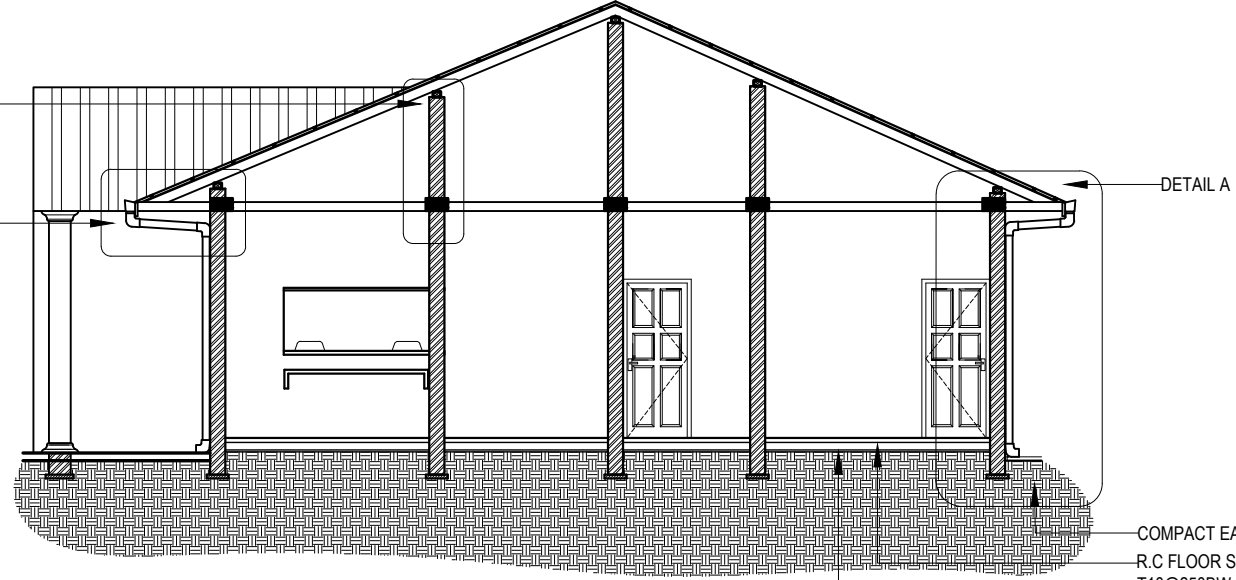
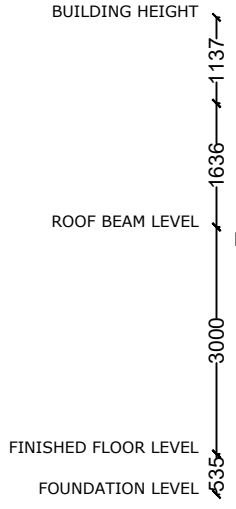
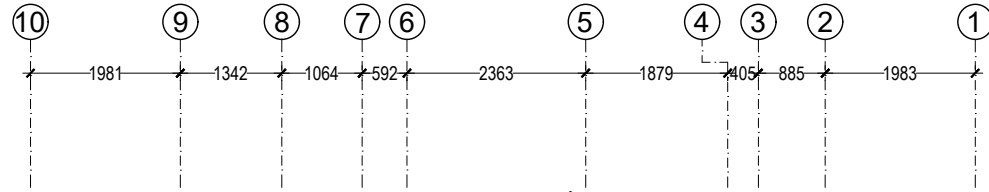
---

SCALE AS GIVEN

---

UNIT MM

**ELEVATION 02**  
 SCALE 1:100



COMPACT EARTH  
 R.C FLOOR SLAB 100MM THICK.  
 T10@250BW SINGLE LAYER  
 APPROVED DPM

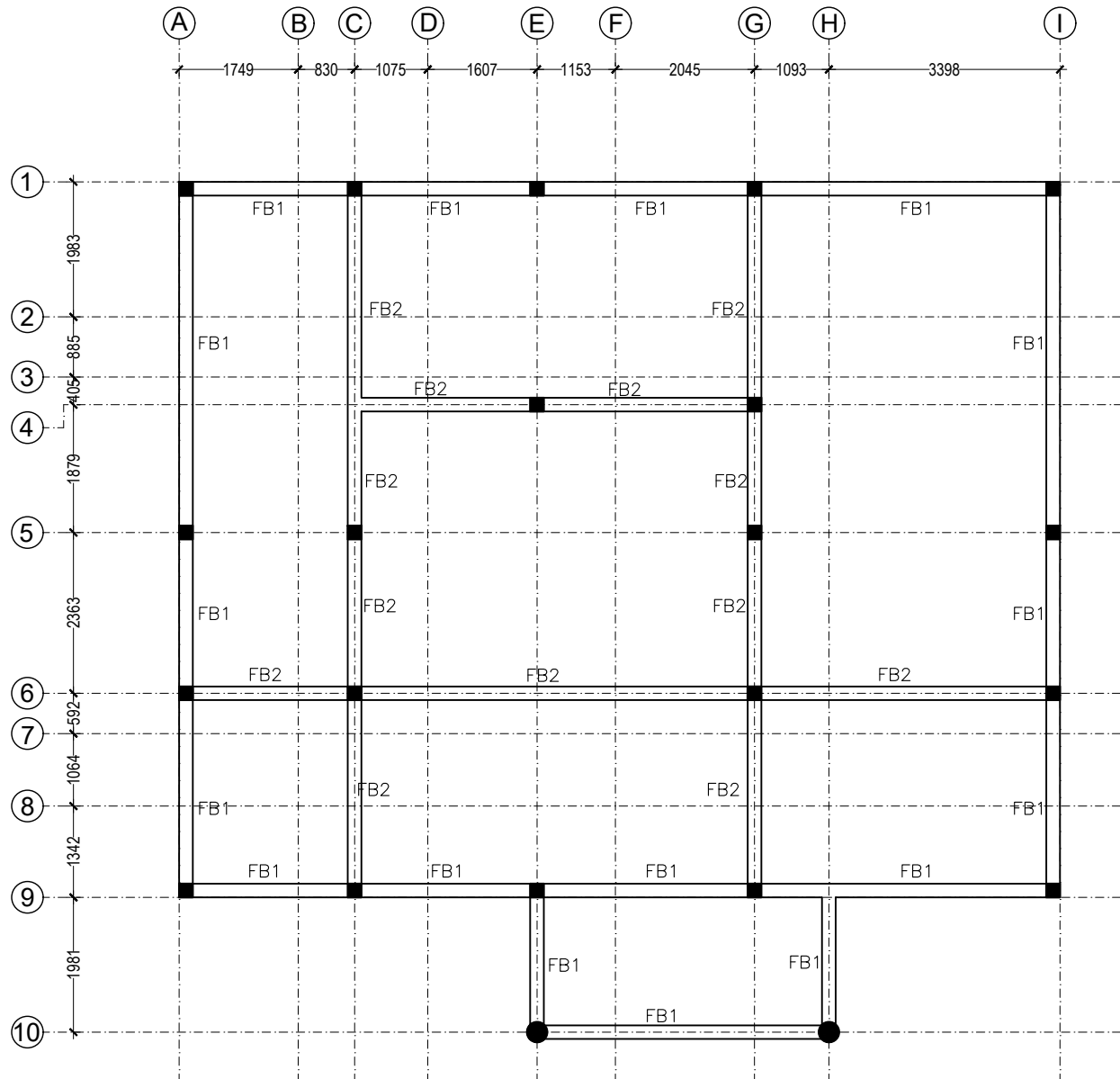
**DRAWING TITLE**  
**SECTION XX**  
 -----  
**PROJECT TITLE**  
**MAGISTRATE COURT**  
**M. VEYVAH**  
 -----  
**CLIENT**  
 DEPARTMENT OF JUDICIAL  
 ADMINISTRATION  
 -----  
**DRAFTED BY**  
 MOHAMED ZAHIR

**ARCHITECT**  
 -----  
**ARC. CHECKER**  
 -----  
**STRUCTURAL ENGINEER**  
 -----  
**STRUCTURAL CHECKER**

**DATE** 25/10/2021  
 -----  
**PAPER SIZE** A4  
 -----  
**SCALE** AS GIVEN  
 -----  
**UNIT** MM

**SECTION XX**  
 SCALE 1:100





# FOUNDATION PLAN

SCALE 1:100

**DRAWING TITLE**  
**FOUNDATION PLAN**

---

**PROJECT TITLE**  
**MAGISTRATE COURT**  
**M. VEYVAH**

---

**CLIENT**  
 DEPARTMENT OF JUDICIAL  
 ADMINISTRATION

---

**DRAFTED BY**  
 MOHAMED ZAHIR

**ARCHITECT**  
 \_\_\_\_\_

**ARC. CHECKER**  
 \_\_\_\_\_

**STRUCTURAL ENGINEER**  
 \_\_\_\_\_

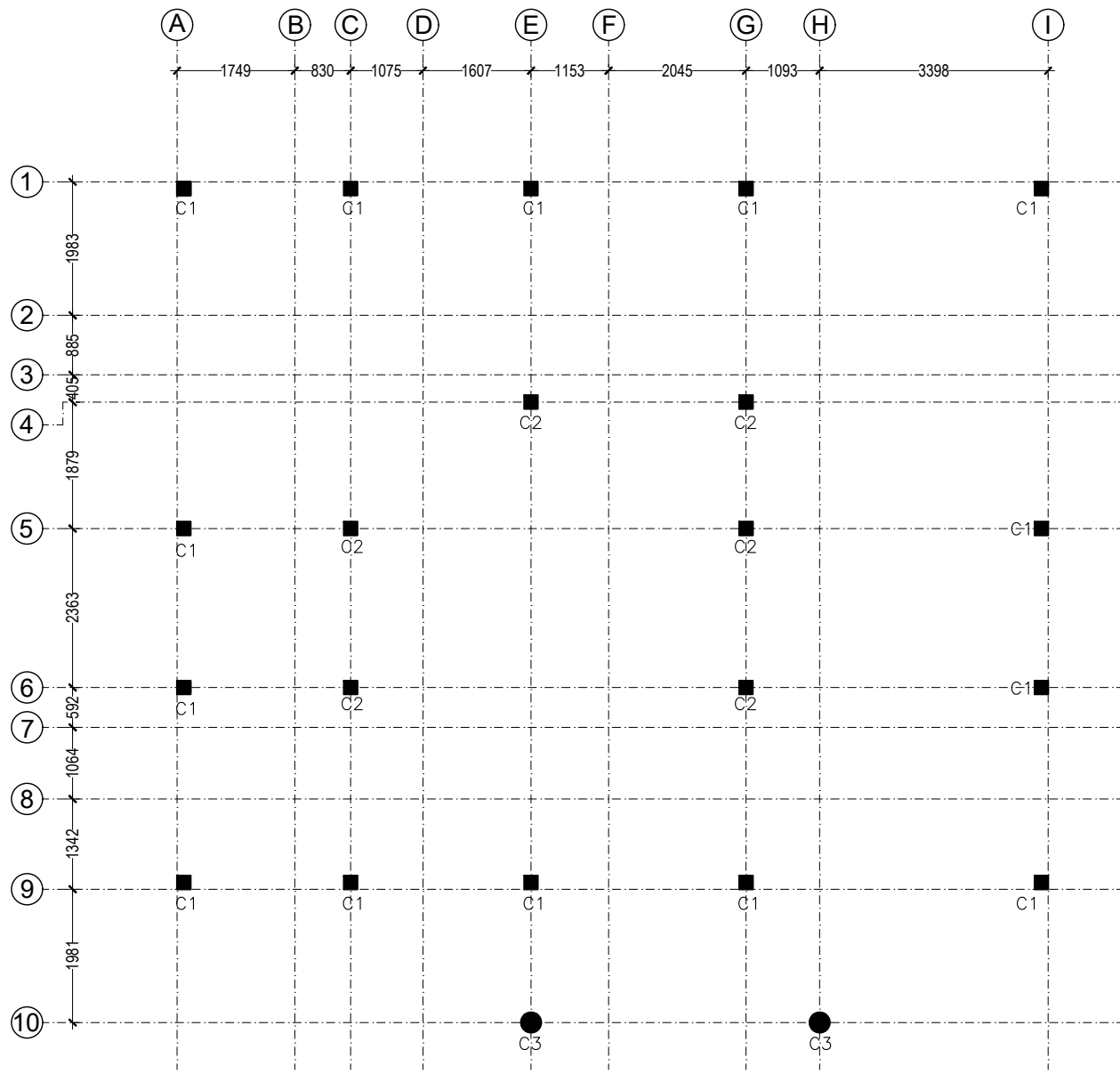
**STRUCTURAL CHECKER**  
 \_\_\_\_\_

**DATE** 25/10/2021

**PAPER SIZE** A4

**SCALE** AS GIVEN

**UNIT** MM



COLUMN LOCATION PLAN  
 SCALE 1:100

DRAWING TITLE  
**COLUMN LOCATION PLAN**

PROJECT TITLE  
**MAGISTRATE COURT  
 M. VEYVAH**

CLIENT  
 DEPARTMENT OF JUDICIAL  
 ADMINISTRATION

DRAFTED BY  
 MOHAMED ZAHIR

ARCHITECT  
 \_\_\_\_\_

ARC. CHECKER  
 \_\_\_\_\_

STRUCTURAL ENGINEER  
 \_\_\_\_\_

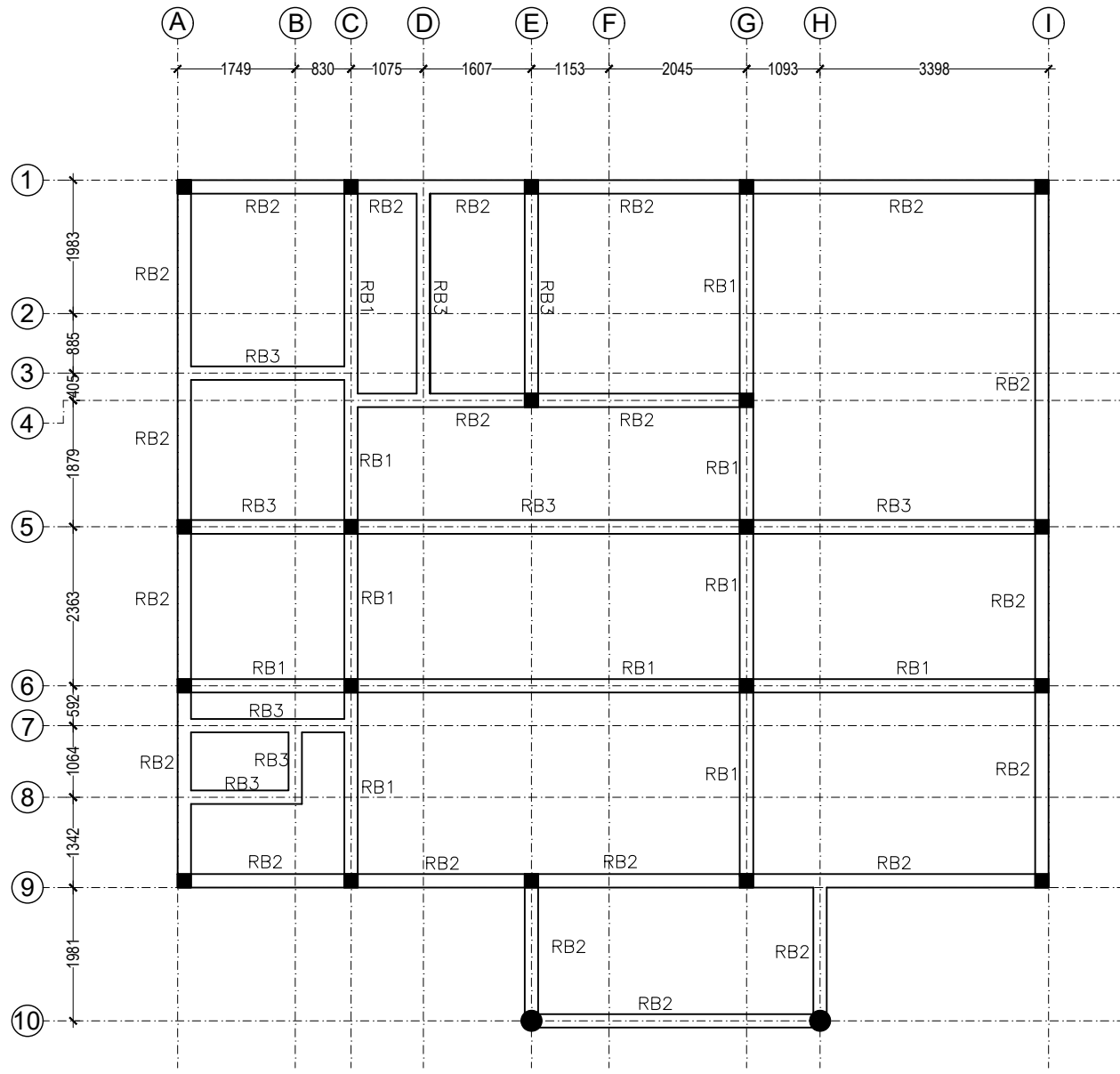
STRUCTURAL CHECKER  
 \_\_\_\_\_

DATE 25/10/2021

PAPER SIZE A4

SCALE AS GIVEN

UNIT MM

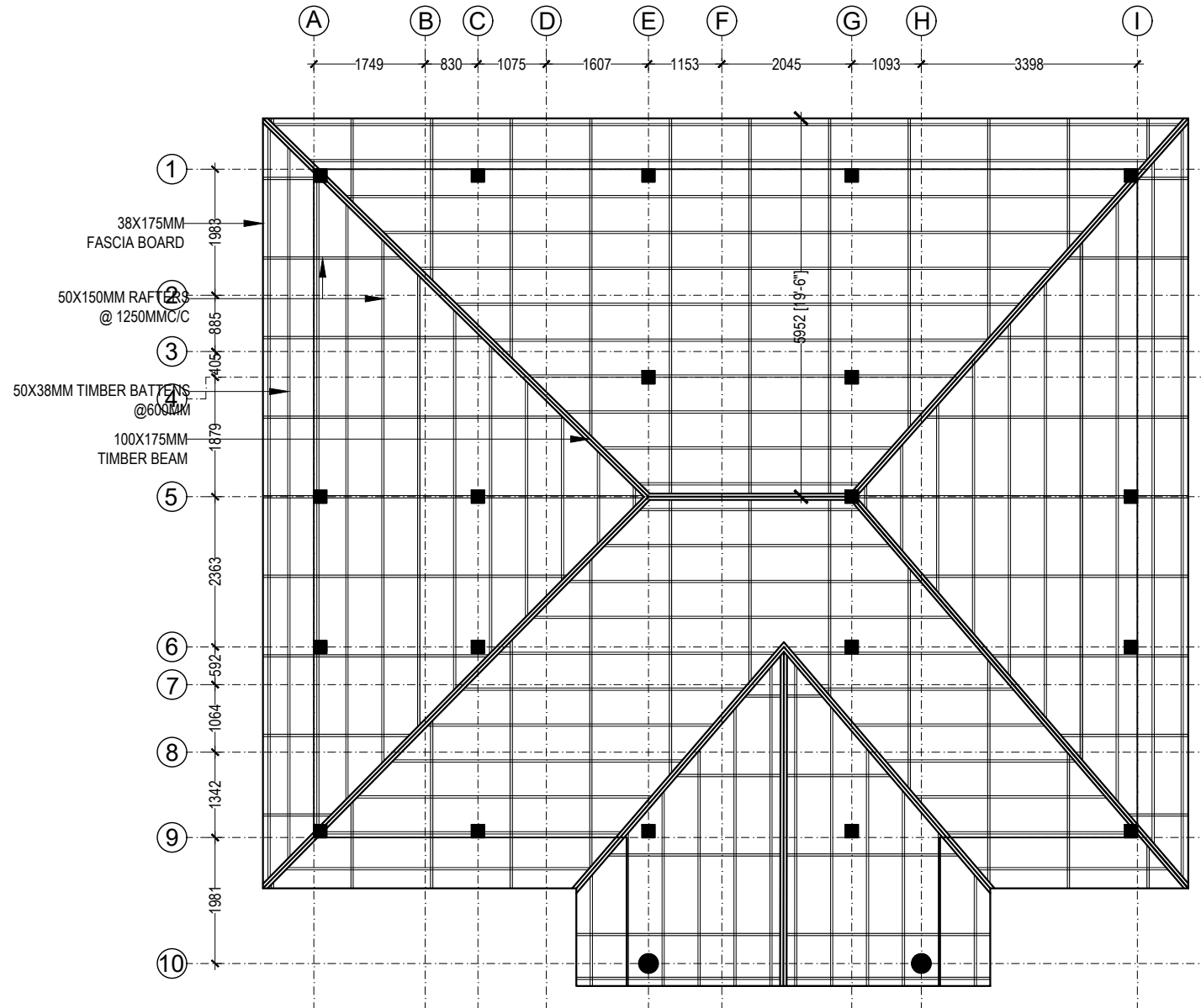


ROOF BEAM PLAN  
SCALE 1:100

<b>DRAWING TITLE</b>	
<b>ROOF BEAM PLAN</b>	
<b>PROJECT TITLE</b>	
<b>MAGISTRATE COURT M. VEYVAH</b>	
<b>CLIENT</b>	
DEPARTMENT OF JUDICIAL ADMINISTRATION	
<b>DRAFTED BY</b>	
MOHAMED ZAHIR	

<b>ARCHITECT</b>	
-----	
<b>ARC. CHECKER</b>	
-----	
<b>STRUCTURAL ENGINEER</b>	
-----	
<b>STRUCTURAL CHECKER</b>	
-----	

<b>DATE</b>	25/10/2021
<b>PAPER SIZE</b>	A4
<b>SCALE</b>	AS GIVEN
<b>UNIT</b>	MM



**DRAWING TITLE**  
 LOWER ROOF PLAN

**PROJECT TITLE**  
 MAGISTRATE COURT  
 M. VEYVAH

**CLIENT**  
 DEPARTMENT OF JUDICIAL  
 ADMINISTRATION

**DRAFTED BY**  
 MOHAMED ZAHIR

**ARCHITECT**

**ARC. CHECKER**

**STRUCTURAL ENGINEER**

**STRUCTURAL CHECKER**

**DATE** 25/10/2021

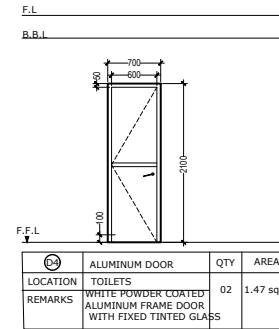
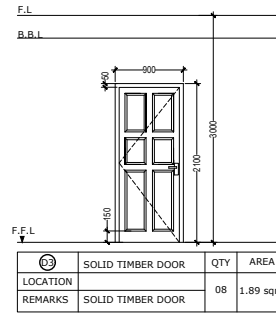
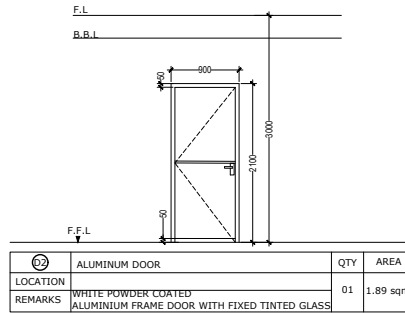
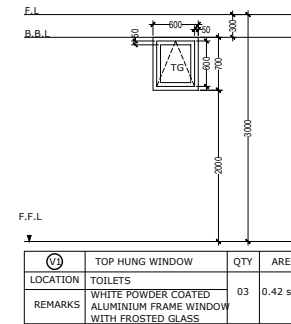
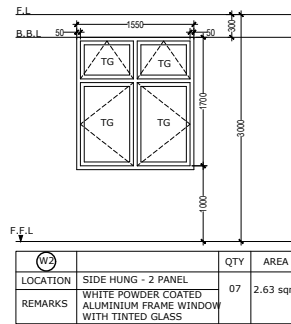
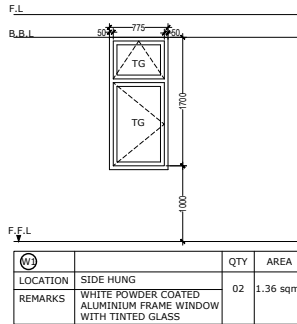
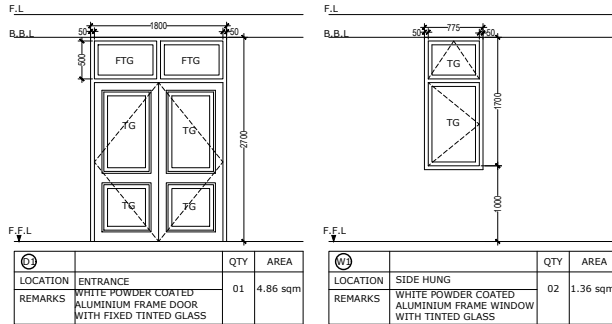
**PAPER SIZE** A4

**SCALE** AS GIVEN

**UNIT** MM

LOWER ROOF PLAN  
 SCALE 1:100





# DOOR & WINDOW SCHEDULE

SCALE 1:100

**DRAWING TITLE**  
**DOOR & WINDOW SCHEDULE**

**PROJECT TITLE**  
**MAGISTRATE COURT**  
**M. VEYVAH**

**CLIENT**  
 DEPARTMENT OF JUDICIAL  
 ADMINISTRATION

**DRAFTED BY**  
 MOHAMED ZAHIR

**ARCHITECT**

**ARC. CHECKER**

**STRUCTURAL ENGINEER**

**STRUCTURAL CHECKER**



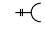
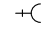
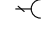
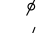
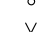

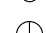



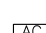
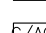
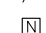


**DATE** 25/10/2021

**PAPER SIZE** A4

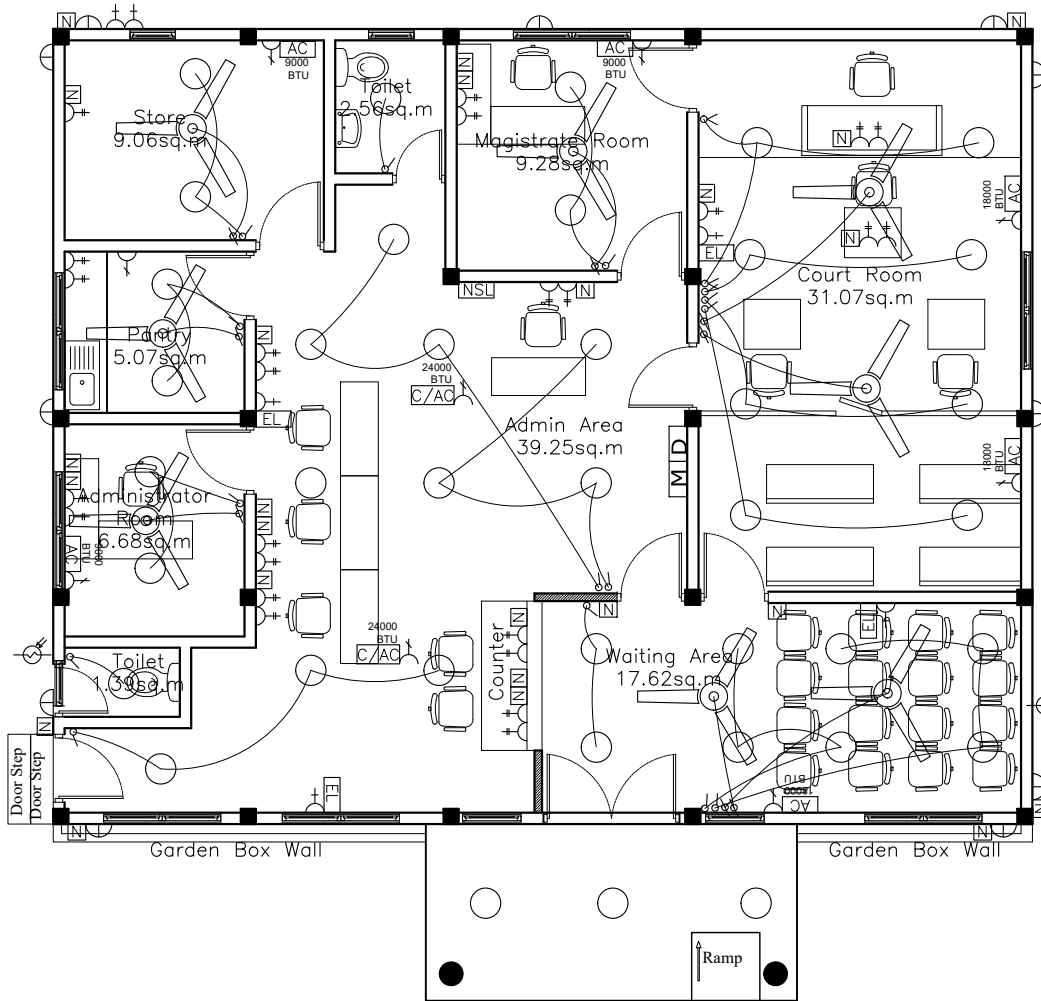
**SCALE** AS GIVEN

**UNIT** MM

**LEGEND**

-  Fan
-  Ceiling mount let light 24W
-  Socket 2x13A
-  Socket 13A
-  Socket 15A
-  Fan Dimmer Switch
-  Switch one way
-  Switch two way
-  Photocell switch
-  Wall mount water proof light
-  D-Board
-  Main Board
-  Emergency light (2Hrs)
-  Wall mount Air condition
-  Ceiling mount Air condition
-  Network
-  Network Switch Location

**Note:**  
 -All the sockets for a/c and emergency lights at 300mm below the ceiling level and the rest at 400mm above floor level  
 Switches at the height of 1200mm  
 -Wall mount lights at 300 below ceiling level



**DRAWING TITLE**  
 ELECTRICAL LAYOUT

---

**PROJECT TITLE**  
 MAGISTRATE COURT  
 M. VEYVAH

---

**CLIENT**  
 DEPARTMENT OF JUDICIAL  
 ADMINISTRATION

---

**DRAFTED BY**  
 MOHAMED ZAHIR

**ARCHITECT**

---

**ARC. CHECKER**

---

**STRUCTURAL ENGINEER**

---

**STRUCTURAL CHECKER**

**DATE** 25/10/2021

---

**PAPER SIZE** A4

---

**SCALE** AS GIVEN

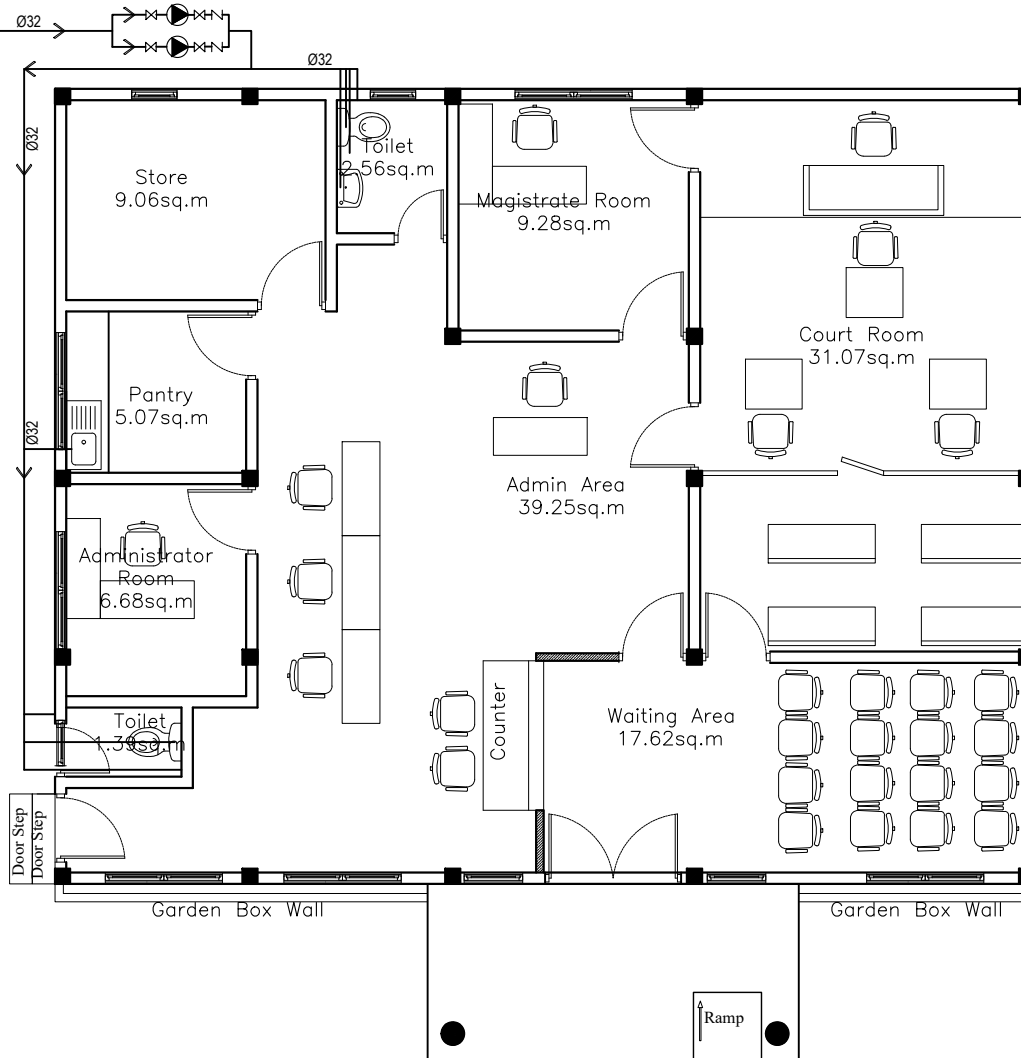
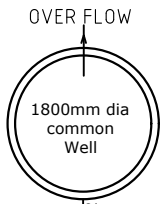
---

**UNIT** MM

**SCHEMATIC ELECTRICAL LAYOUT**

SCALE 1:100

GROUND WATER WELL  
 1800mm DIA, 140mm THK.  
 T10@200 BW SINGLE LAYER  
 DEPTH DECIDED ON SITE



**DRAWING TITLE**  
**GROUND WATER SUPPLY LAYOUT**

**PROJECT TITLE**  
**MAGISTRATE COURT**  
**M. VEYVAH**

**CLIENT**  
 DEPARTMENT OF JUDICIAL  
 ADMINISTRATION

**DRAFTED BY**  
 MOHAMED ZAHIR

**ARCHITECT**

**ARC. CHECKER**

**STRUCTURAL ENGINEER**

**STRUCTURAL CHECKER**

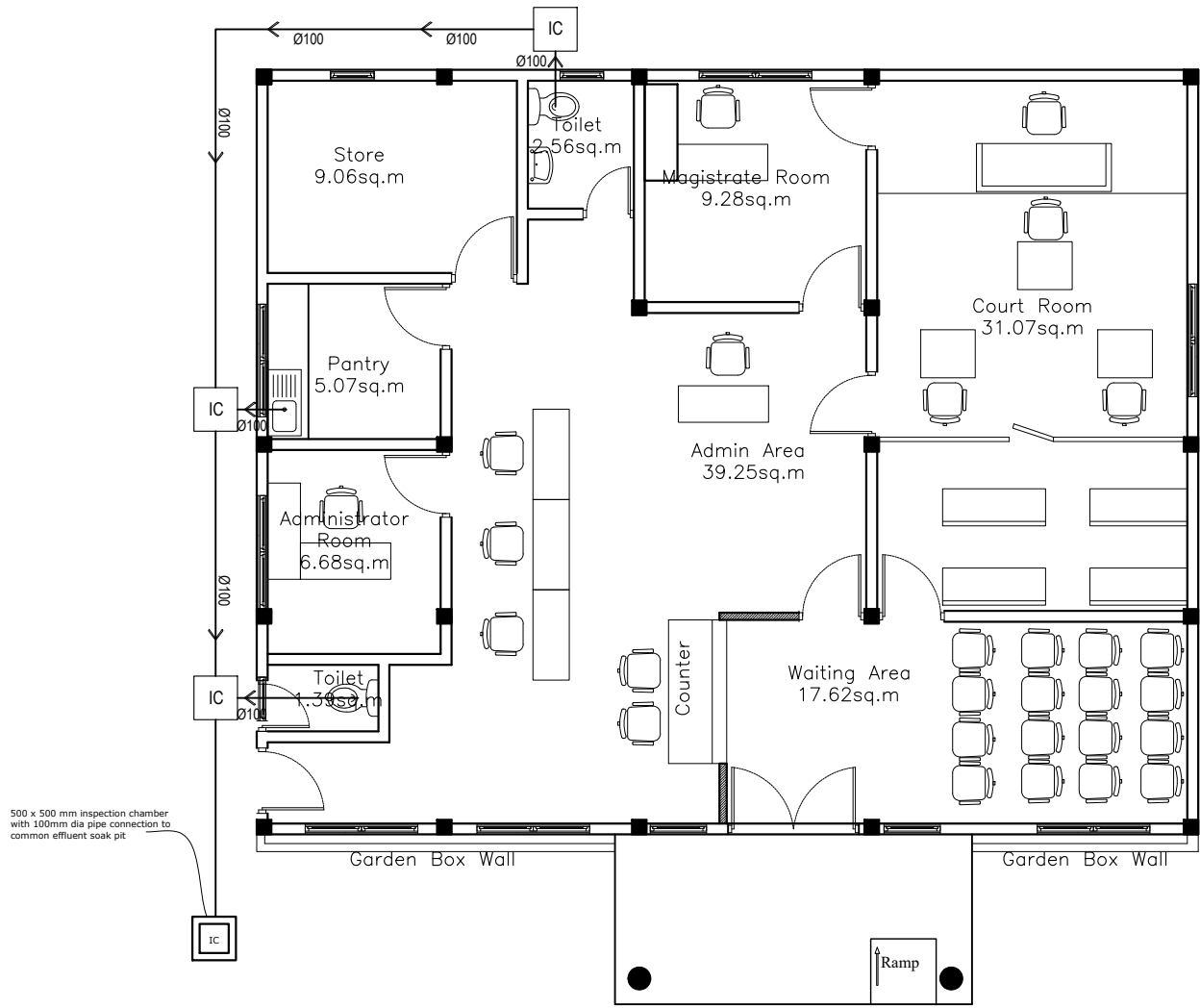
**DATE** 25/10/2021

**PAPER SIZE** A4

**SCALE** AS GIVEN

**UNIT** MM

MAIN GROUND WATER SUPPLY LAYOUT  
 SCALE 1:100



500 x 500 mm inspection chamber with 100mm dia pipe connection to common effluent soak pit

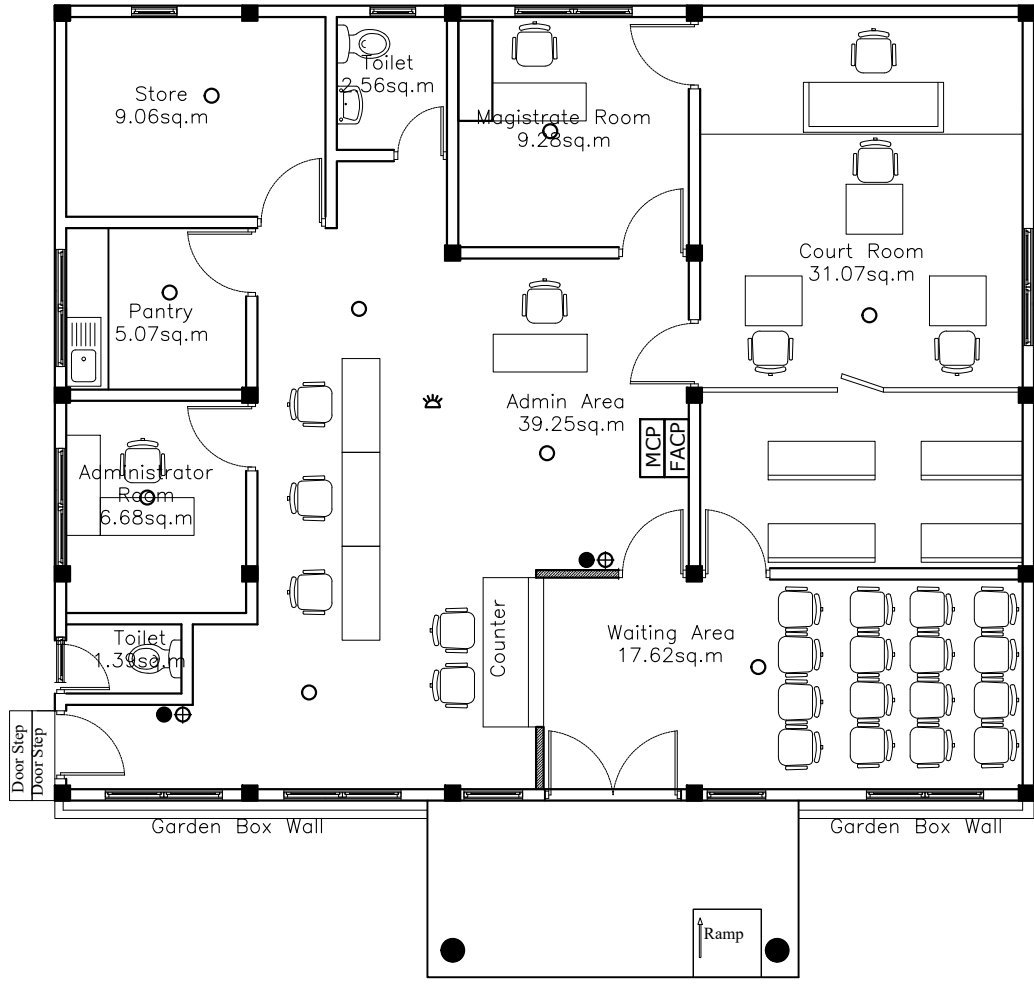
**MAIN SEWAGE & SOIL WASTE DISPOSAL LAYOUT**  
SCALE 1:100

**DRAWING TITLE**  
SEWAGE & SOIL WASTE DISPOSAL LAYOUT  
-----  
**PROJECT TITLE**  
MAGISTRATE COURT  
M. VEYVAH  
-----  
**CLIENT**  
DEPARTMENT OF JUDICIAL ADMINISTRATION  
-----  
**DRAFTED BY**  
MOHAMED ZAHIR

**ARCHITECT**  
-----  
**ARC. CHECKER**  
-----  
**STRUCTURAL ENGINEER**  
-----  
**STRUCTURAL CHECKER**

**DATE** 25/10/2021  
-----  
**PAPER SIZE** A4  
-----  
**SCALE** AS GIVEN  
-----  
**UNIT** MM





**LEGEND:-**

- SMOKE DETECTOR
- ⊕ NINE LITER H2O FIRE EXTINGUISHER
- TWO KG CO2 FIRE EXTINGUISHER
- ☼ FIRE ALARM SOUND STROBE 85DS

**[FACP]** FIRE ALARM CONTROL PANEL

**[MCP]** MANUAL CALL POINT

Note:  
- All cable must be fire resistant cable

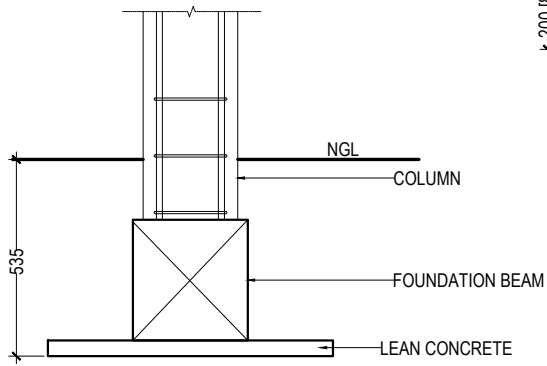
**DRAWING TITLE**  
**FIRE FIGHTING SYSTEM LAYOUT**  
**PROJECT TITLE**  
**MAGISTRATE COURT**  
**M. VEYVAH**  
**CLIENT**  
 DEPARTMENT OF JUDICIAL  
 ADMINISTRATION  
**DRAFTED BY**  
 MOHAMED ZAHIR

**ARCHITECT**  
**ARC. CHECKER**  
**STRUCTURAL ENGINEER**  
**STRUCTURAL CHECKER**

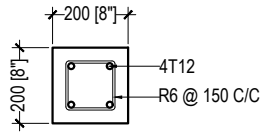
**DATE** 25/10/2021  
**PAPER SIZE** A4  
**SCALE** AS GIVEN  
**UNIT** MM

**FIRE FIGHTING SYSTEM LAYOUT**

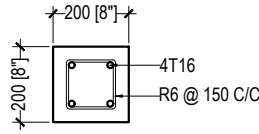
SCALE 1:100



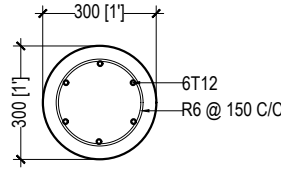
FOUNDATION DETAILS  
SCALE 1:20



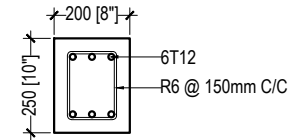
C1



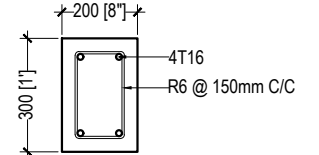
C2



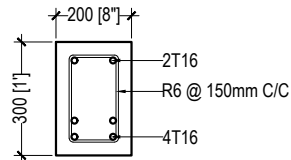
C3



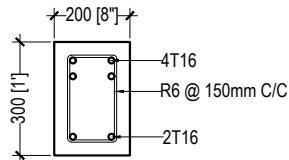
FB1



FB2

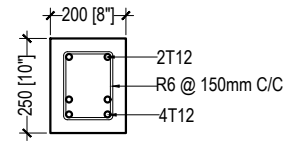


MID

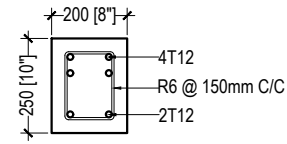


SUP

RB1

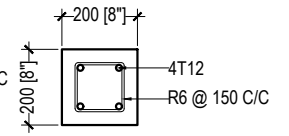


MID

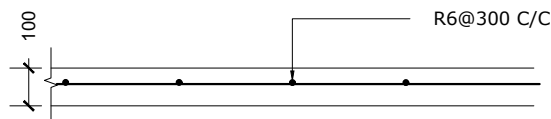


SUP

RB2

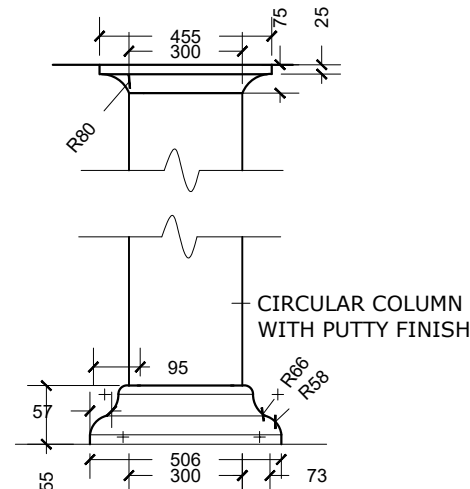


RB3



100MM THK CONCRETE REIN. SLAB  
ON TOP OF WELL COMPACTED SOIL

GROUND FLOOR SLAB DETAIL

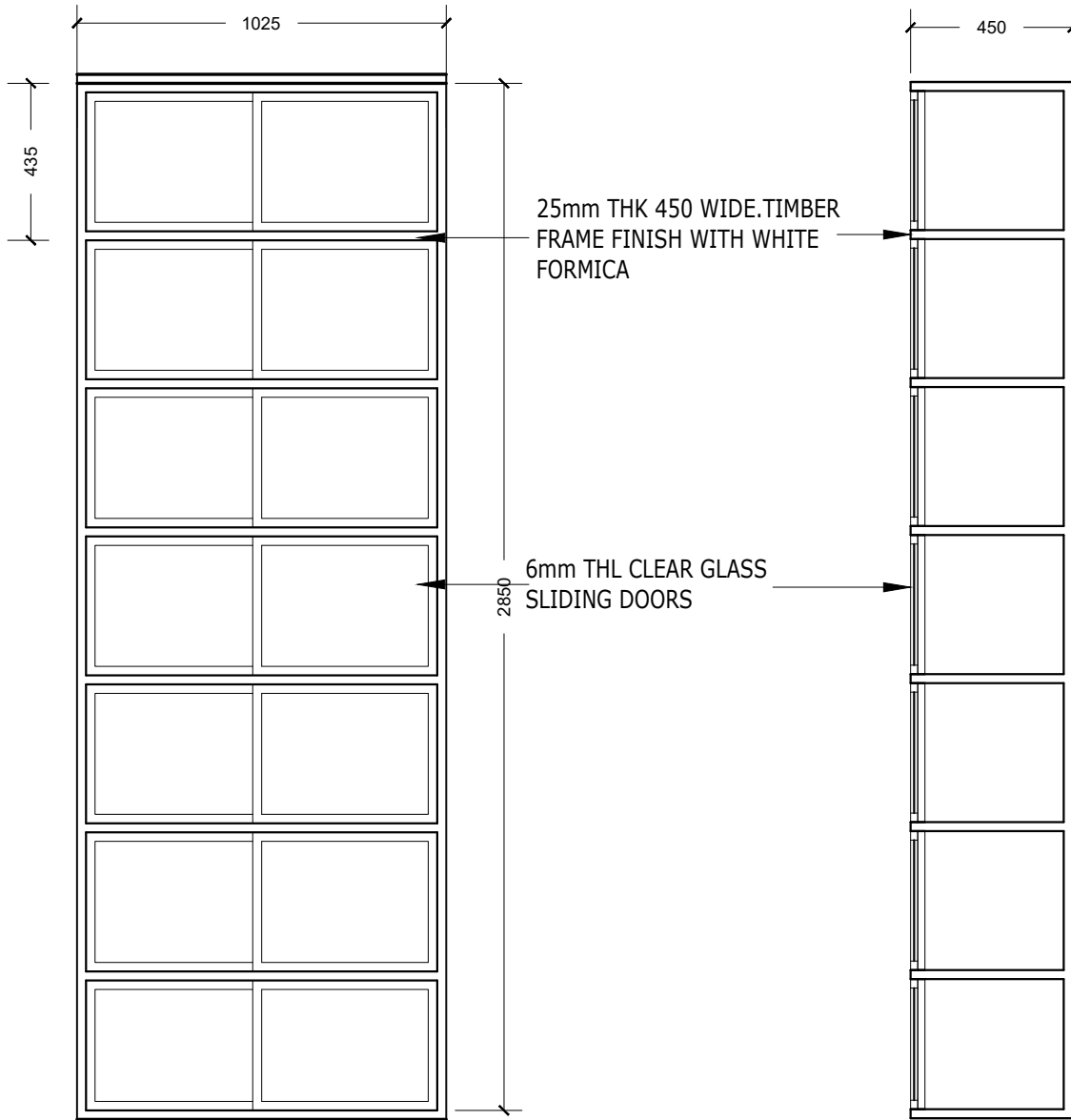


CIRCULAR COLUMN  
MOULDING DETAIL  
SCALE 1:20

<b>DRAWING TITLE</b>	
<b>AS GIVEN</b>	
<b>PROJECT TITLE</b>	
<b>MAGISTRATE COURT</b>	
<b>M.VEYVAH</b>	
<b>CLIENT</b>	
DEPARTMENT OF JUDICIAL	
ADMINISTRATION	
<b>DRAFTED BY</b>	
MOHAMED ZAHIR	

<b>ARCHITECT</b>	
<b>ARC. CHECKER</b>	
<b>STRUCTURAL ENGINEER</b>	
<b>STRUCTURAL CHECKER</b>	

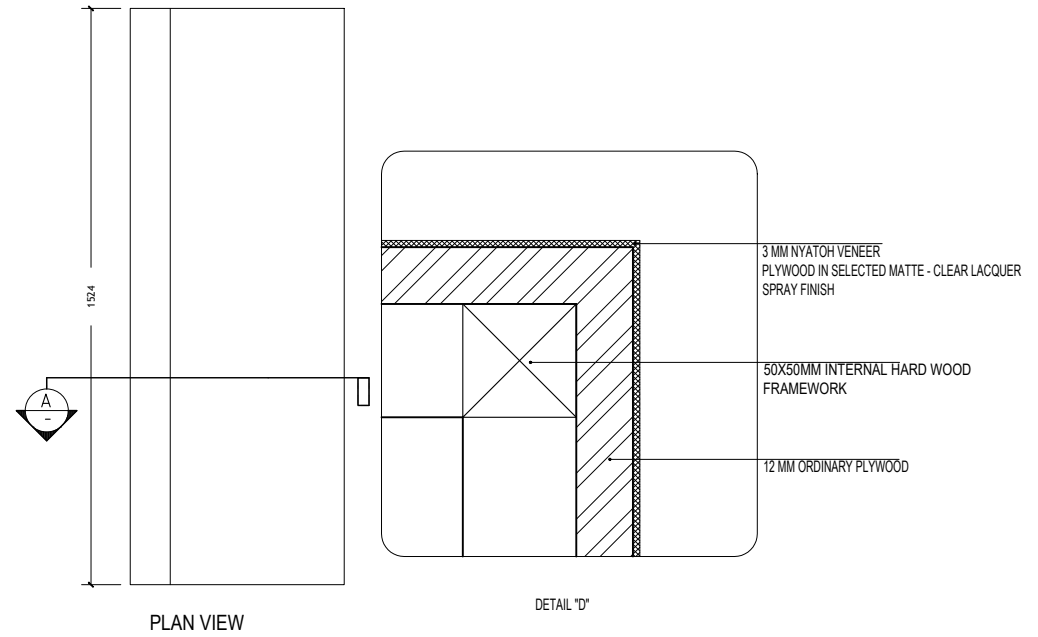
<b>DATE</b>	25/10/2021
<b>PAPER SIZE</b>	A4
<b>SCALE</b>	AS GIVEN
<b>UNIT</b>	MM



RACK DETAIL (ELEVATION)

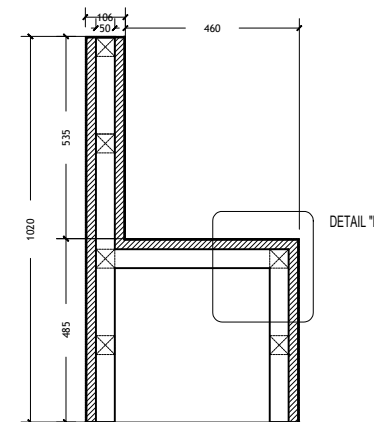
RACK DETAIL (SECTION)

STORE ROOM RACK DETAILS  
SCALE 1:20



PLAN VIEW

DETAIL "D"



SIDE ELEVATION

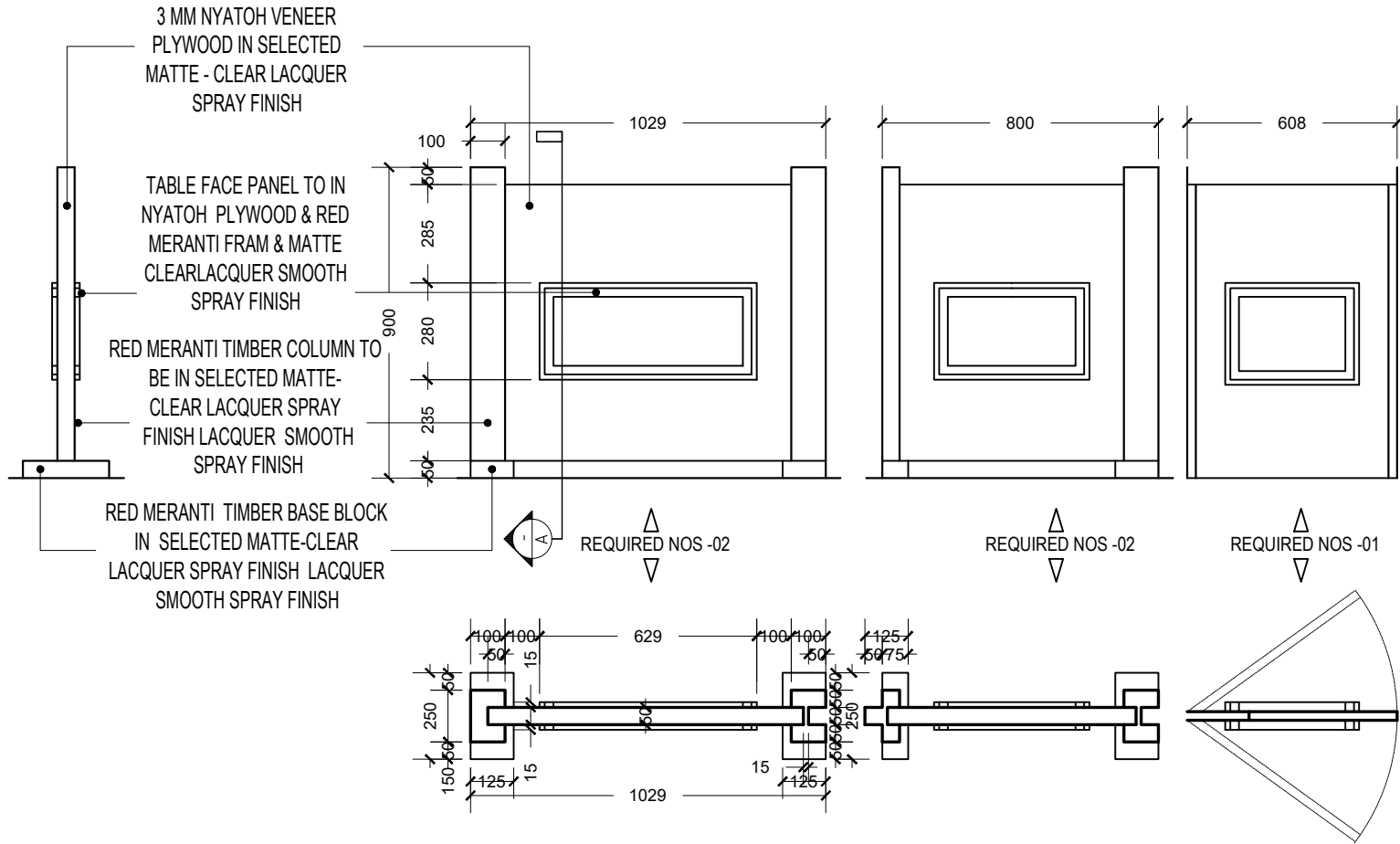
DETAIL "D"

COURT ROOM BENCH DETAILS  
SCALE 1:20

<b>DRAWING TITLE</b>	AS GIVEN
<b>PROJECT TITLE</b>	MAGISTRATE COURT M.VEYVAH
<b>CLIENT</b>	DEPARTMENT OF JUDICIAL ADMINISTRATION
<b>DRAFTED BY</b>	MOHAMED ZAHIR

<b>ARCHITECT</b>	
<b>ARC. CHECKER</b>	
<b>STRUCTURAL ENGINEER</b>	
<b>STRUCTURAL CHECKER</b>	

<b>DATE</b>	25/10/2021
<b>PAPER SIZE</b>	A4
<b>SCALE</b>	AS GIVEN
<b>UNIT</b>	MM



**DRAWING TITLE**  
AS GIVEN

---

**PROJECT TITLE**  
MAGISTRATE COURT  
M.VEYVAH

---

**CLIENT**  
DEPARTMENT OF JUDICIAL  
ADMINISTRATION

---

**DRAFTED BY**  
MOHAMED ZAHIR

**ARCHITECT**

---

**ARC. CHECKER**

---

**STRUCTURAL ENGINEER**

---

**STRUCTURAL CHECKER**

**DATE** 25/10/2021

---

**PAPER SIZE** A4

---

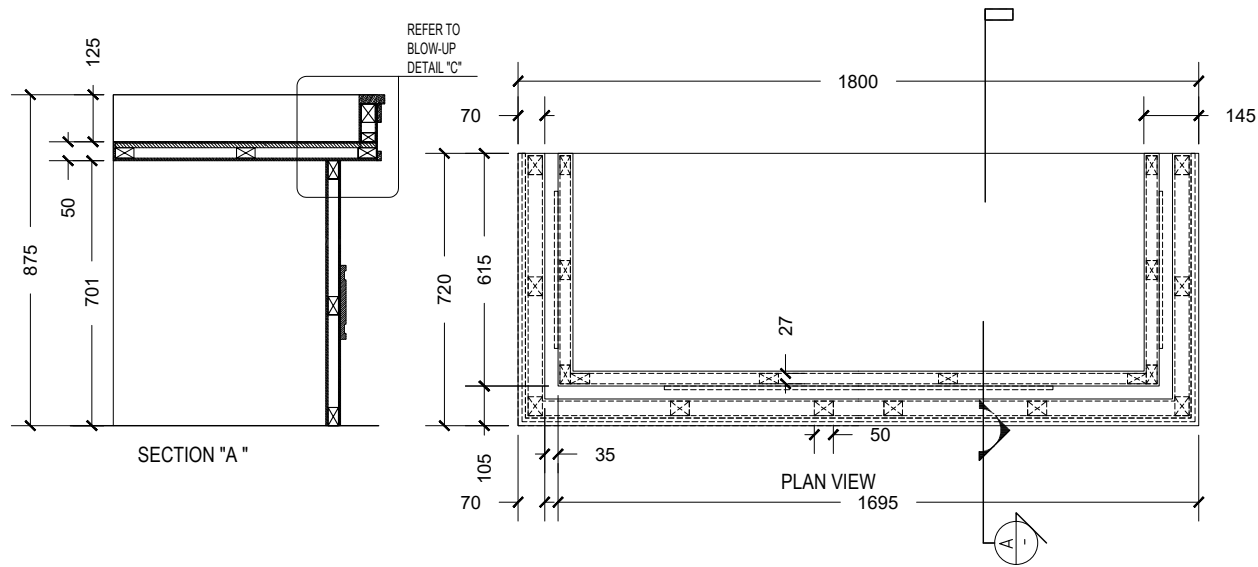
**SCALE** AS GIVEN

---

**UNIT** MM

ALL THE TIMBERS WHICH ARE USED FOR THE STANDARD INTERNAL FRAME WORK TO BE APPLIED WITH SOLIGNUM TIMER TREATMENT CHEMICAL OR EQUIVALENT, 24HRS BEFORE USING ON THE FRAMEWORK

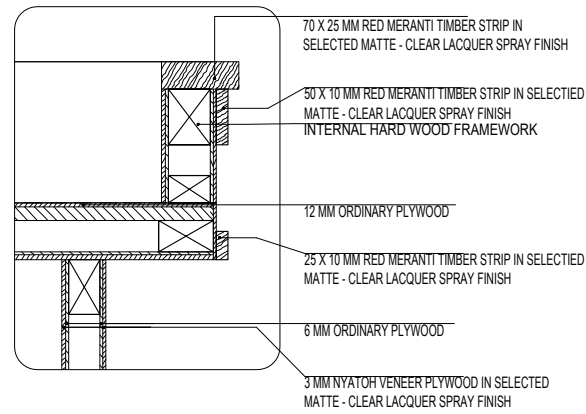
ALL THIN SIDE TO BE FINISHED WITH NATURAL VENEER OF THE SAME WOOD USED ON THE RESPECTIE PART OF THE FURNITURE



REFER TO  
BLOW-UP  
DETAIL "C"

SECTION "A"

PLAN VIEW



DETAIL "C"

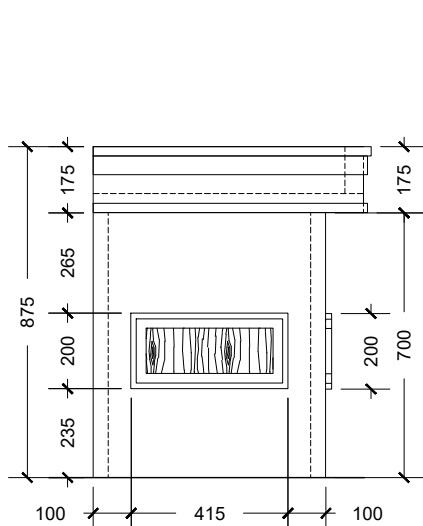
- 70 X 25 MM RED MERANTI TIMBER STRIP IN SELECTED MATTE - CLEAR LACQUER SPRAY FINISH
- 50 X 10 MM RED MERANTI TIMBER STRIP IN SELECTED MATTE - CLEAR LACQUER SPRAY FINISH
- INTERNAL HARD WOOD FRAMEWORK
- 12 MM ORDINARY PLYWOOD
- 25 X 10 MM RED MERANTI TIMBER STRIP IN SELECTED MATTE - CLEAR LACQUER SPRAY FINISH
- 6 MM ORDINARY PLYWOOD
- 3 MM NYATOH VENEER PLYWOOD IN SELECTED MATTE - CLEAR LACQUER SPRAY FINISH

<b>DRAWING TITLE</b>	<b>AS GIVEN</b>
<b>PROJECT TITLE</b>	<b>MAGISTRATE COURT M.VEYVAH</b>
<b>CLIENT</b>	DEPARTMENT OF JUDICIAL ADMINISTRATION
<b>DRAFTED BY</b>	MOHAMED ZAHIR

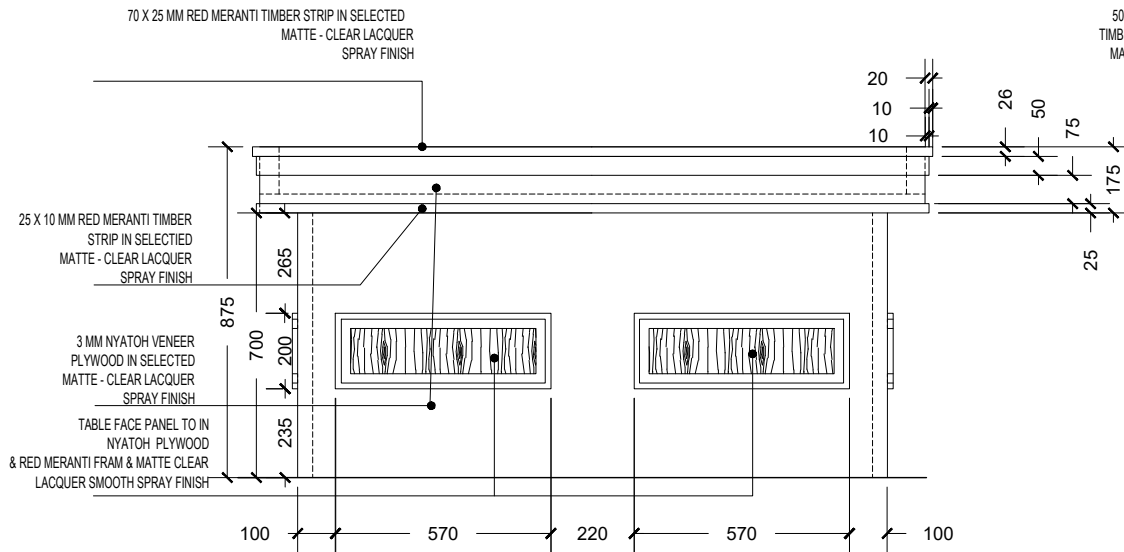
<b>ARCHITECT</b>	
<b>ARC. CHECKER</b>	
<b>STRUCTURAL ENGINEER</b>	
<b>STRUCTURAL CHECKER</b>	

<b>DATE</b>	25/10/2021
<b>PAPER SIZE</b>	A4
<b>SCALE</b>	AS GIVEN
<b>UNIT</b>	MM

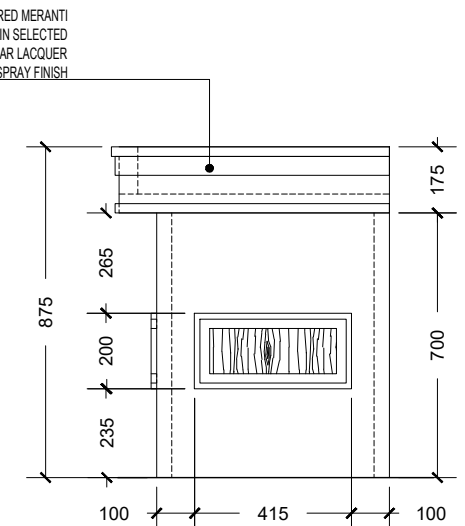
COURT ROOM JUDGE TABLE DETAILS  
SCALE 1:20



LEFT SIDE ELEVATION



FRONT ELEVATION



RIGHT SIDE ELEVATION

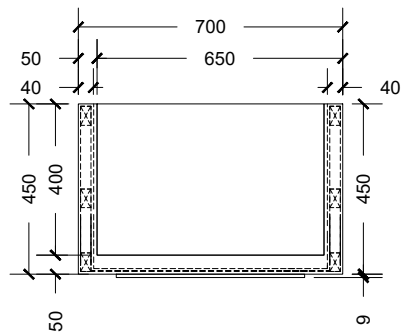


TABLE SECTION "B" of PLAN "R"

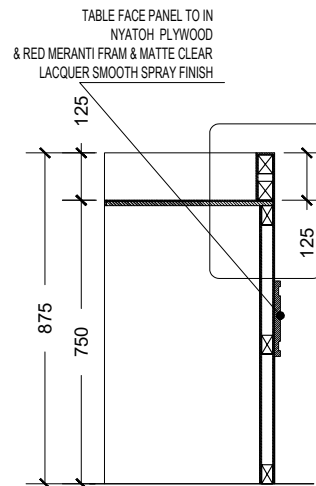
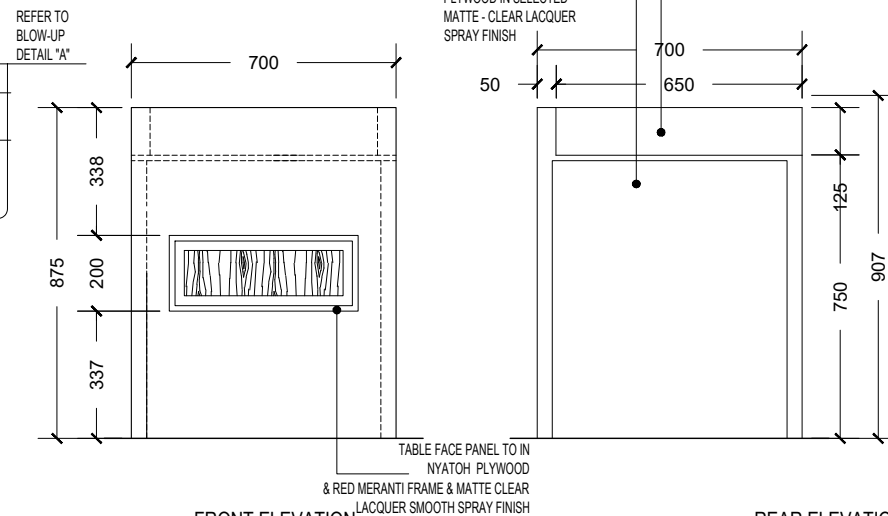


TABLE SECTION "B" of PLAN "R"



FRONT ELEVATION

REAR ELEVATION

NOTE:

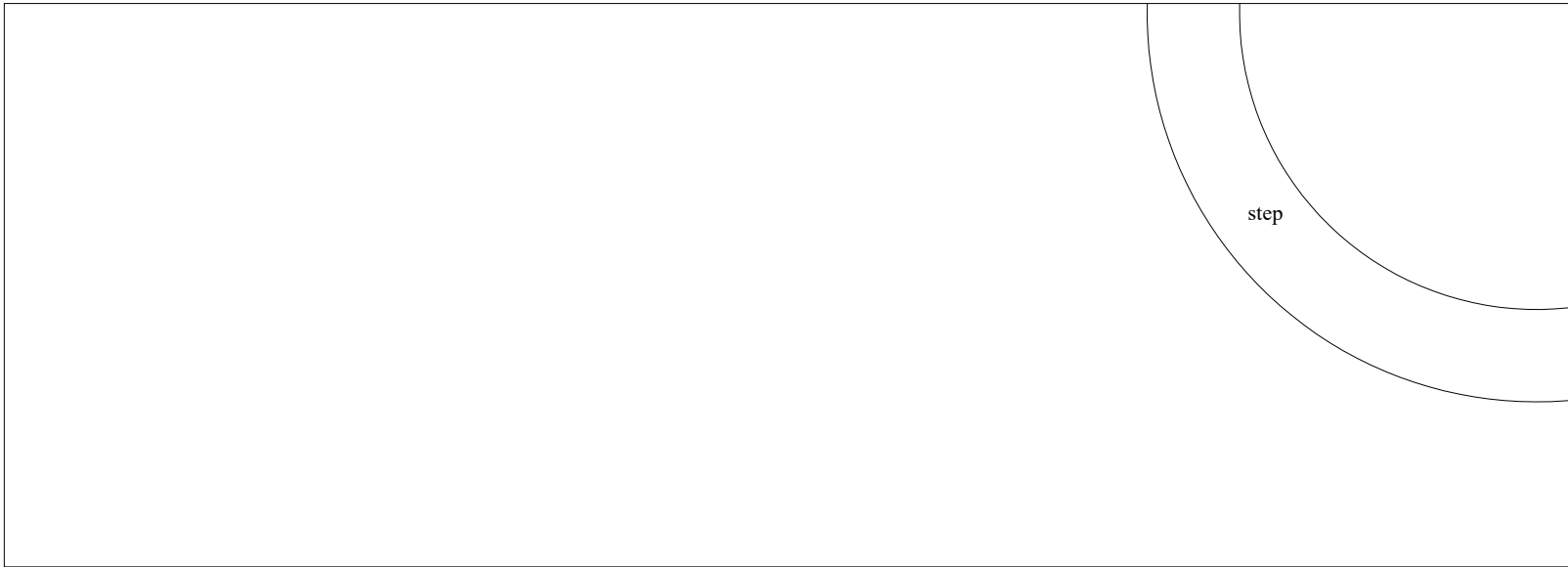
ALL TIMBERS WHICH ARE USED FOR THE STANDARD EXTERNAL FRAMEWORK TO BE APPLIED WITH SOLIGNUM TIMBER TREATMENT CHEMICAL OR EQUIVALENT, 24 HOURS BEFORE USING ON THE FRAMEWORK.

ALL SIDES TO BE FINISHED WITH NATURAL VENEER OF THE SAME WOOD USED ON THE RESPECTIVE PART OF THE FURNITURE.

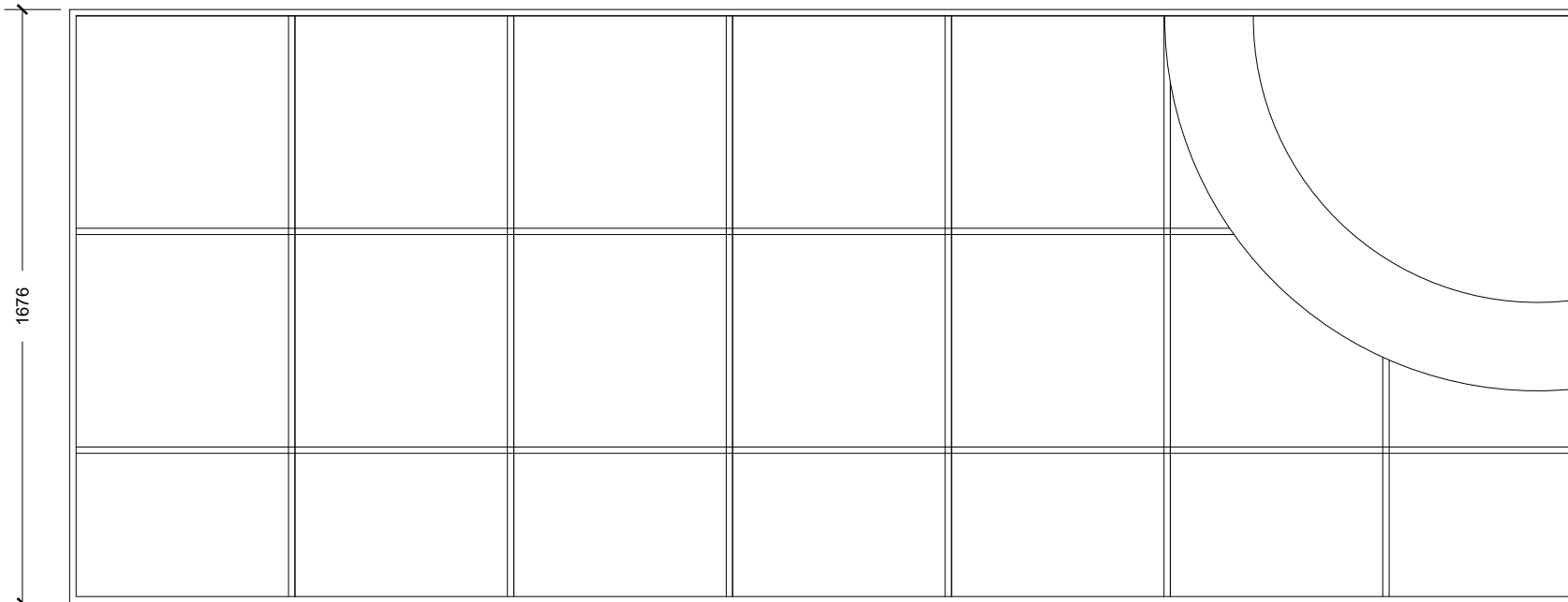
<b>DRAWING TITLE</b>	AS GIVEN
<b>PROJECT TITLE</b>	MAGISTRATE COURT M.VEYVAH
<b>CLIENT</b>	DEPARTMENT OF JUDICIAL ADMINISTRATION
<b>DRAFTED BY</b>	MOHAMED ZAHIR

<b>ARCHITECT</b>	
<b>ARC. CHECKER</b>	
<b>STRUCTURAL ENGINEER</b>	
<b>STRUCTURAL CHECKER</b>	

<b>DATE</b>	25/10/2021
<b>PAPER SIZE</b>	A4
<b>SCALE</b>	AS GIVEN
<b>UNIT</b>	MM



STAGE



STAGE FRAME

DRAWING TITLE  
**AS GIVEN**

---

PROJECT TITLE  
**MAGISTRATE COURT  
 M.VEYVAH**

---

CLIENT  
 DEPARTMENT OF JUDICIAL  
 ADMINISTRATION

---

DRAFTED BY  
 MOHAMED ZAHIR

ARCHITECT

---

ARC. CHECKER

---

STRUCTURAL ENGINEER

---

STRUCTURAL CHECKER

DATE 25/10/2021

---

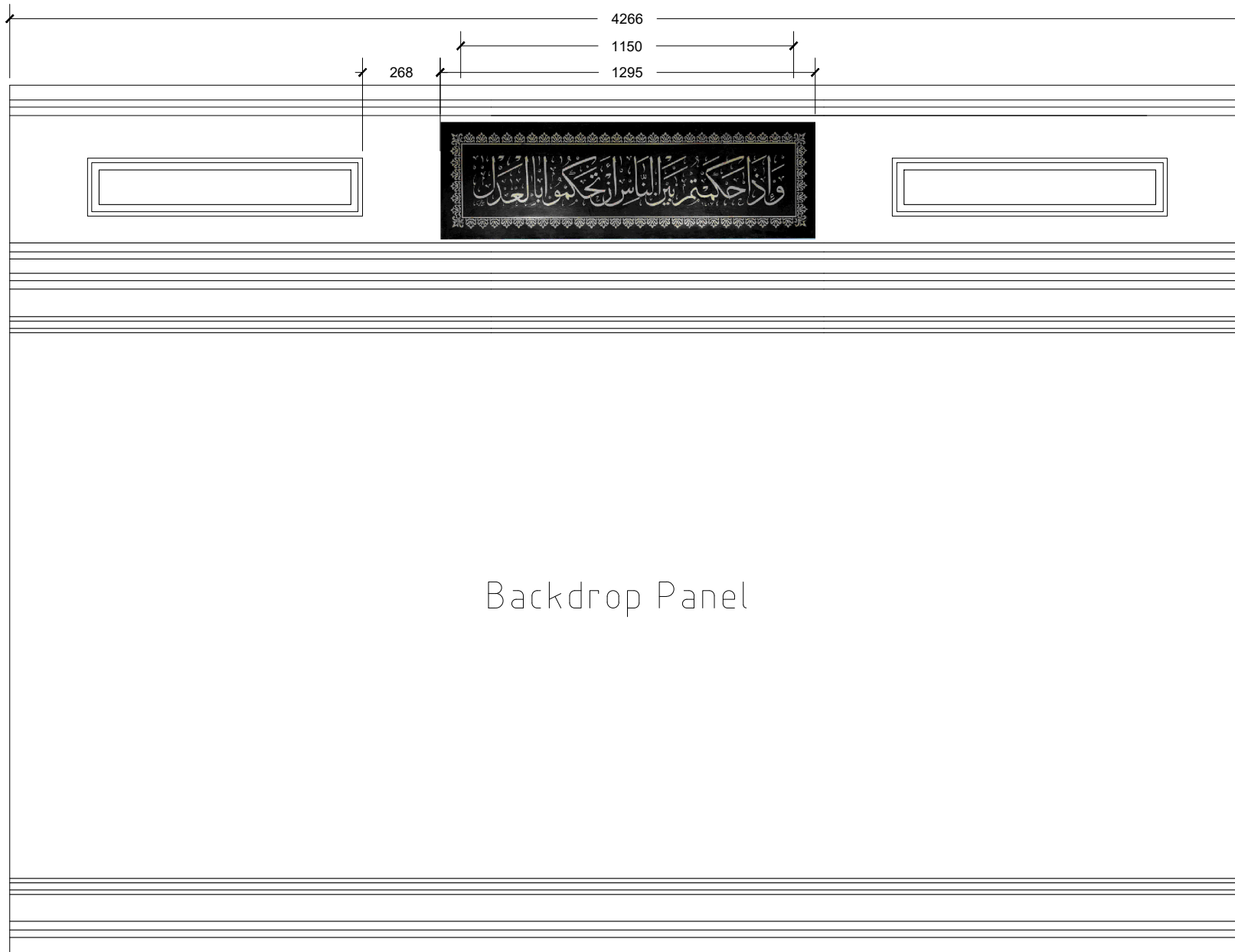
PAPER SIZE A4

---

SCALE AS GIVEN

---

UNIT MM



**DRAWING TITLE**  
**AS GIVEN**

---

**PROJECT TITLE**  
**MAGISTRATE COURT**  
**M.VEYVAH**

---

**CLIENT**  
 DEPARTMENT OF JUDICIAL  
 ADMINISTRATION

---

**DRAFTED BY**  
 MOHAMED ZAHIR

**ARCHITECT**

---

**ARC. CHECKER**

---

**STRUCTURAL ENGINEER**

---

**STRUCTURAL CHECKER**

**DATE** 25/10/2021

---

**PAPER SIZE** A4

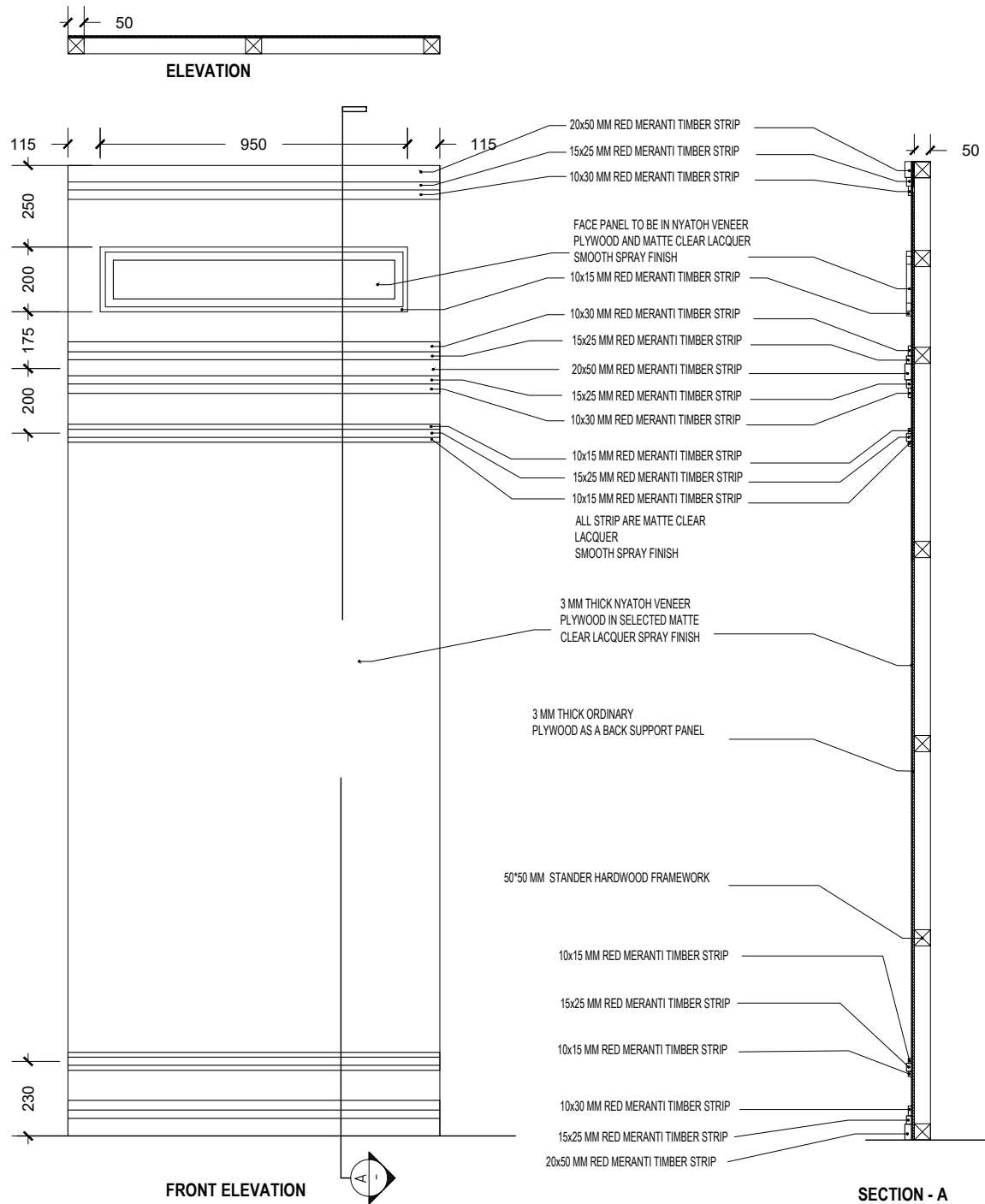
---

**SCALE** AS GIVEN

---

**UNIT** MM





**DRAWING TITLE**  
AS GIVEN

---

**PROJECT TITLE**  
MAGISTRATE COURT  
M.VEYVAH

---

**CLIENT**  
DEPARTMENT OF JUDICIAL  
ADMINISTRATION

---

**DRAFTED BY**  
MOHAMED ZAHIR

**ARCHITECT**

---

**ARC. CHECKER**

---

**STRUCTURAL ENGINEER**

---

**STRUCTURAL CHECKER**

**DATE** 25/10/2021

---

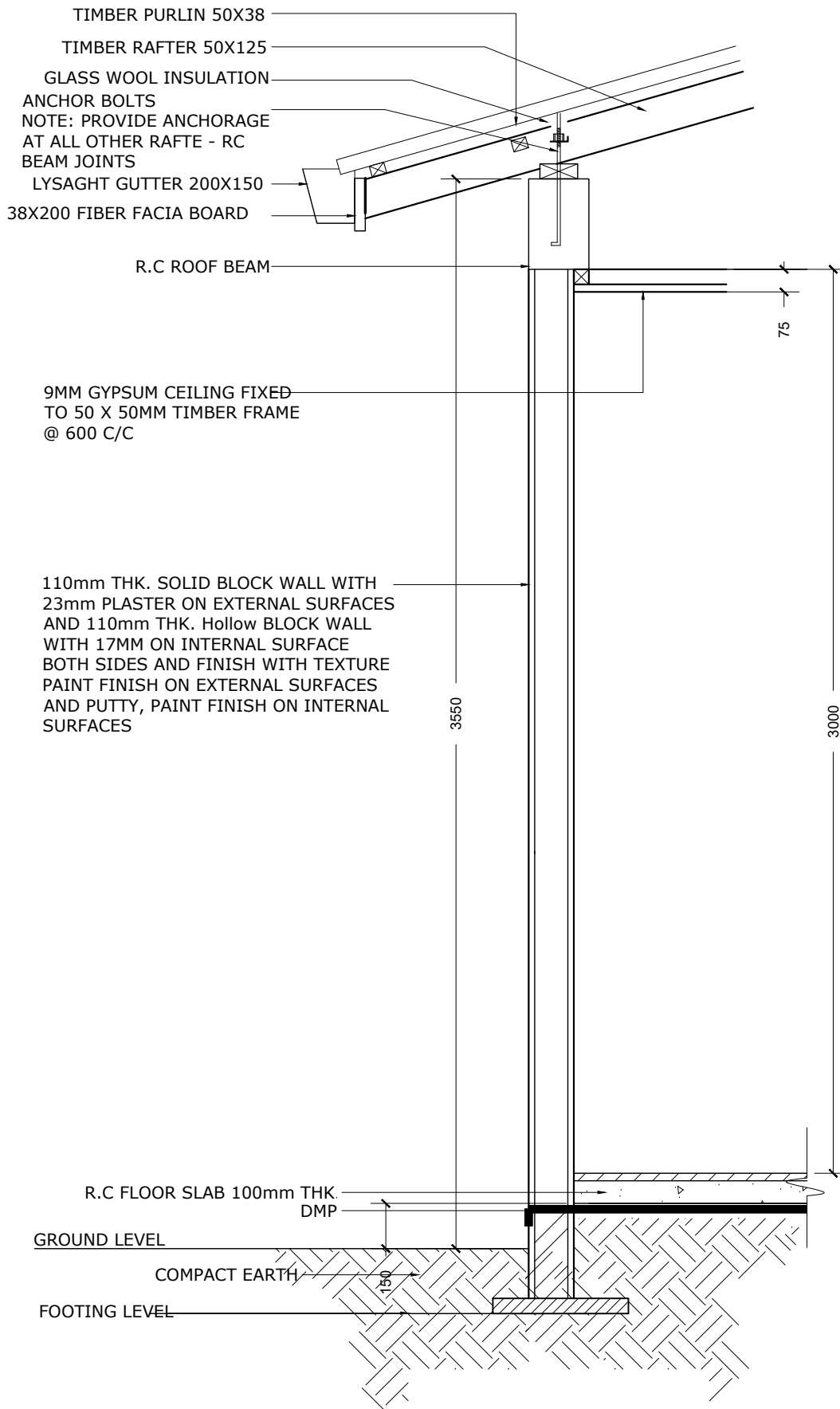
**PAPER SIZE** A4

---

**SCALE** AS GIVEN

---

**UNIT** MM

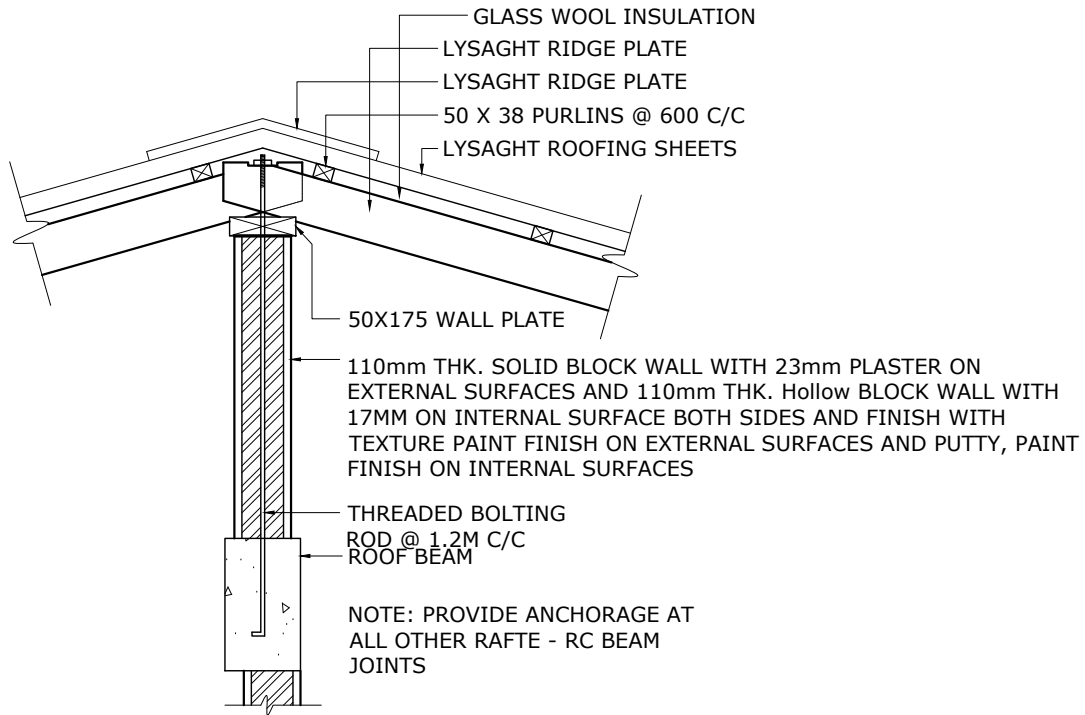


**DETAIL -A**  
SCALE 1:20

<b>DRAWING TITLE</b>	AS GIVEN
<b>PROJECT TITLE</b>	MAGISTRATE COURT M.VEYVAH
<b>CLIENT</b>	DEPARTMENT OF JUDICIAL ADMINISTRATION
<b>DRAFTED BY</b>	MOHAMED ZAHIR

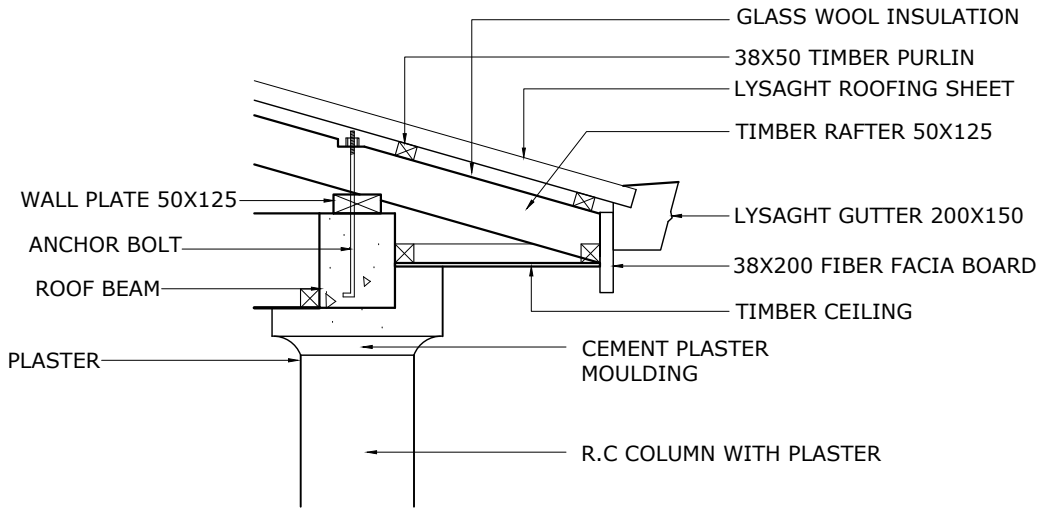
<b>ARCHITECT</b>	
<b>ARC. CHECKER</b>	
<b>STRUCTURAL ENGINEER</b>	
<b>STRUCTURAL CHECKER</b>	

<b>DATE</b>	25/10/2021
<b>PAPER SIZE</b>	A4
<b>SCALE</b>	AS GIVEN
<b>UNIT</b>	MM



**DETAIL -B**  
 SCALE 1:20

**RIDGE RAFTER SUPPORTING DETAILS**

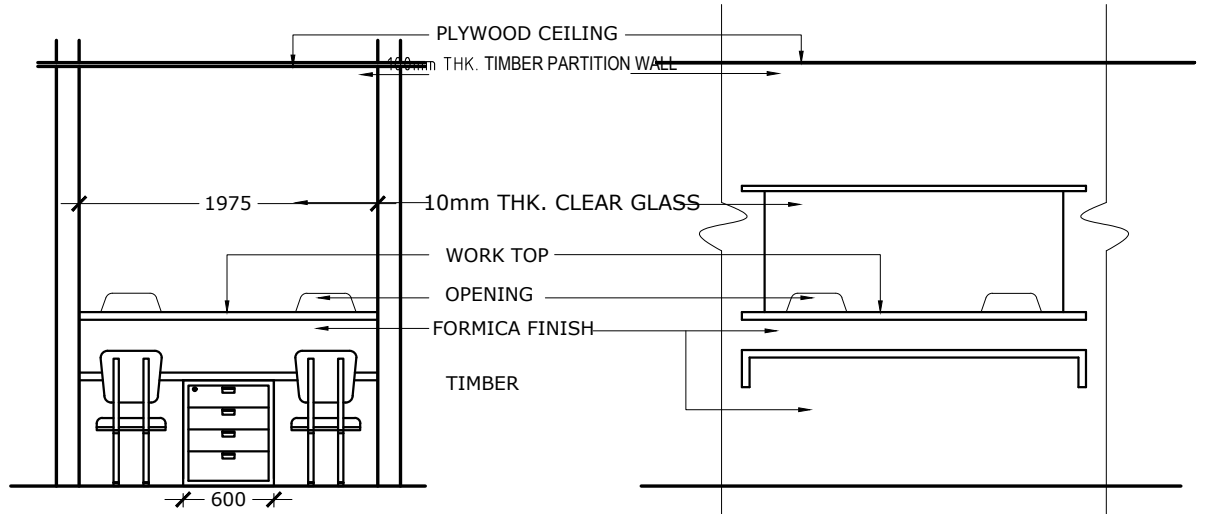
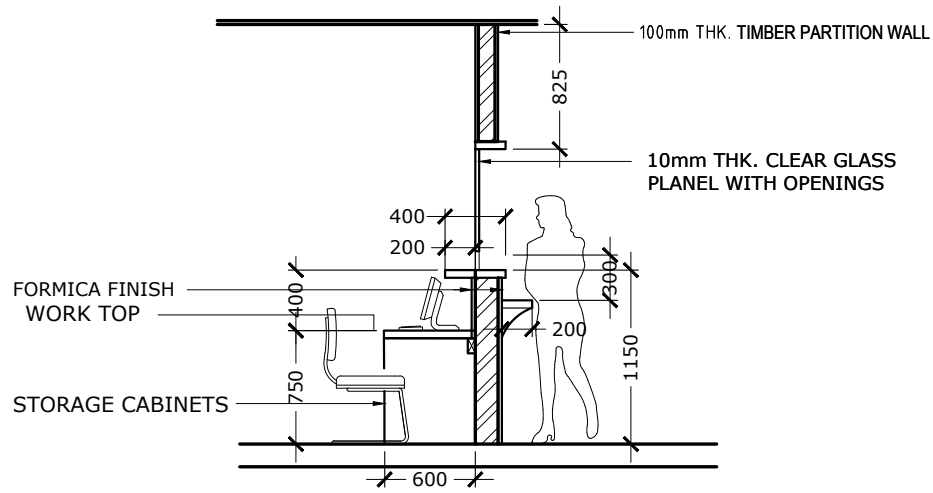


**DETAIL -C**  
 SCALE 1:20

<b>DRAWING TITLE</b>	<b>AS GIVEN</b>
<b>PROJECT TITLE</b>	<b>MAGISTRATE COURT M.VEYVAH</b>
<b>CLIENT</b>	DEPARTMENT OF JUDICIAL ADMINISTRATION
<b>DRAFTED BY</b>	MOHAMED ZAHIR

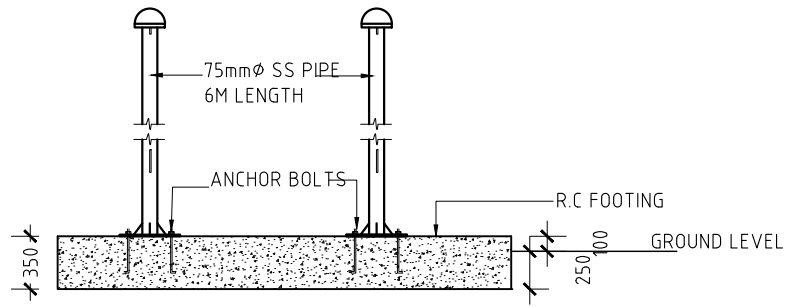
<b>ARCHITECT</b>	
<b>ARC. CHECKER</b>	
<b>STRUCTURAL ENGINEER</b>	
<b>STRUCTURAL CHECKER</b>	

<b>DATE</b>	25/10/2021
<b>PAPER SIZE</b>	A4
<b>SCALE</b>	AS GIVEN
<b>UNIT</b>	MM

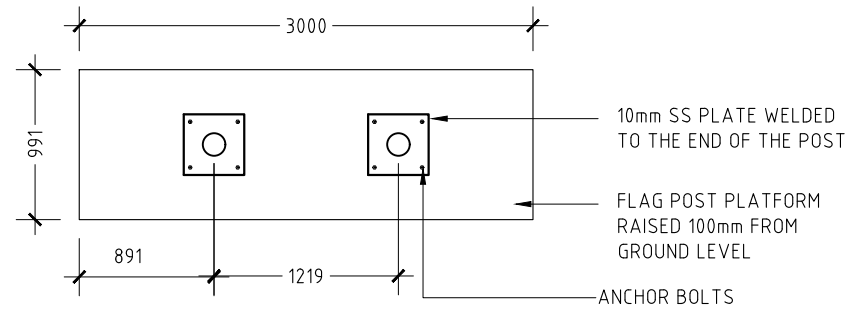


COUNTER DETAIL (INSIDE ELEVATION)  
SCALE 1:50

COUNTER DETAIL (ELEVATION TO LOBBY)  
SCALE 1:50

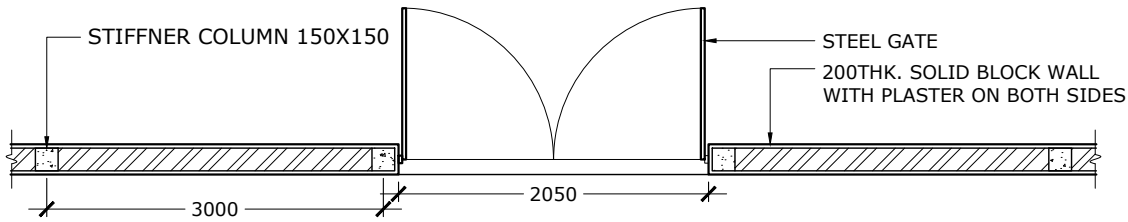


FLAG POST DETAIL  
(SECTION)  
SCALE 1:50

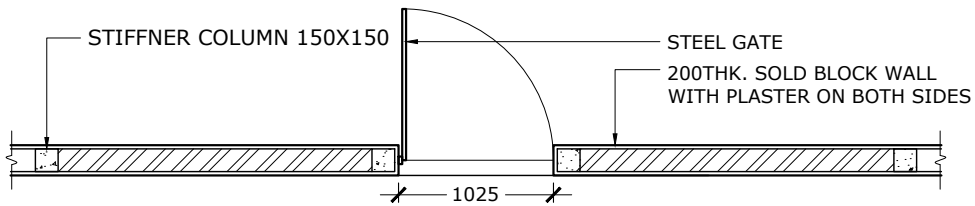


FLAG POST DETAIL  
(PLAN)  
SCALE 1:50

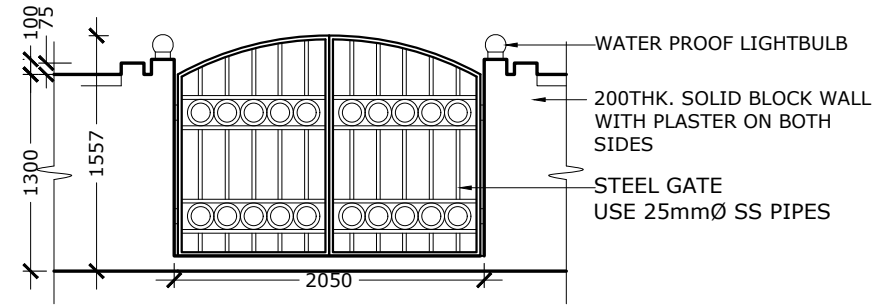
<b>DRAWING TITLE</b> AS GIVEN	<b>CLIENT</b> DEPARTMENT OF JUDICIAL ADMINISTRATION	<b>ARCHITECT:</b> -----	<b>DATE</b> 25/10/2021
<b>PROJECT TITLE</b> MAGISTRATE COURT M.VEYVAH	<b>DRAFTED BY</b> MOHAMED ZAHIR	<b>ARC. CHECKER:</b> -----	<b>PAPER SIZE</b> A4
		<b>STRUCT. ENGR.:</b> -----	<b>SCALE</b> AS GIVEN
		<b>STRUCT. CHECKER:</b> -----	<b>UNIT</b> MM



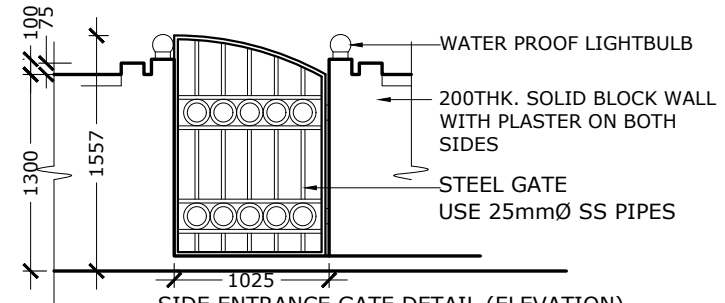
**MAIN ENTRANCE GATE DETAIL**  
(PLAN)  
SCALE 1:50



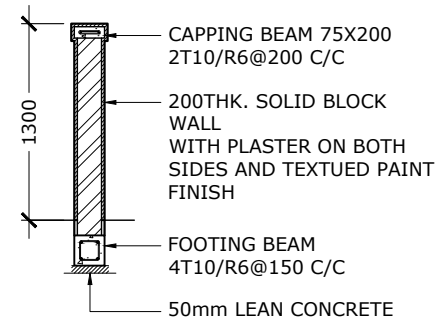
**SIDE ENTRANCE GATE DETAIL**  
(PLAN)  
SCALE 1:50



**MAIN ENTRANCE GATE DETAIL (ELEVATION)**  
SCALE 1:50



**SIDE ENTRANCE GATE DETAIL (ELEVATION)**  
SCALE 1:50



**BOUNDARY WALL DETAILS**  
SCALE 1:50

<b>DRAWING TITLE</b>
AS GIVEN
-----
<b>PROJECT TITLE</b>
MAGISTRATE COURT K. HURAA

<b>CLIENT</b>
DEPARTMENT OF JUDICIAL ADMINISTRATION
-----
<b>DRAFTED BY</b>
MOHAMED ZAHIR

<b>ARCHITECT:</b>
-----
<b>ARC. CHECKER:</b>
-----
<b>STRUCT. ENGR.:</b>
-----
<b>STRUCT. CHECKER:</b>
-----

<b>DATE</b>	26/01/2020
<b>PAPER SIZE</b>	A4
<b>SCALE</b>	AS GIVEN
<b>UNIT</b>	MM