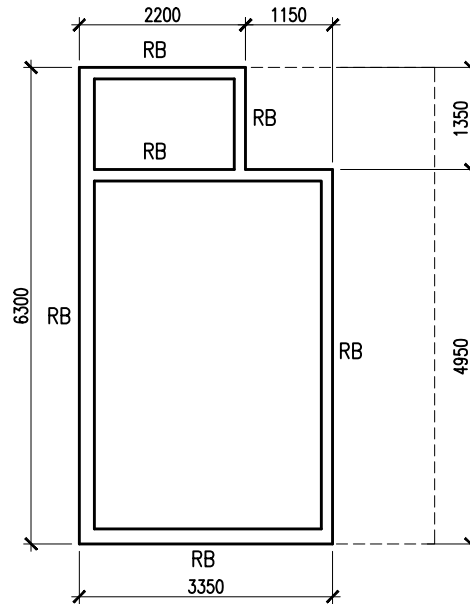
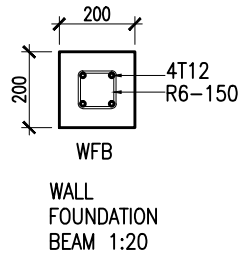


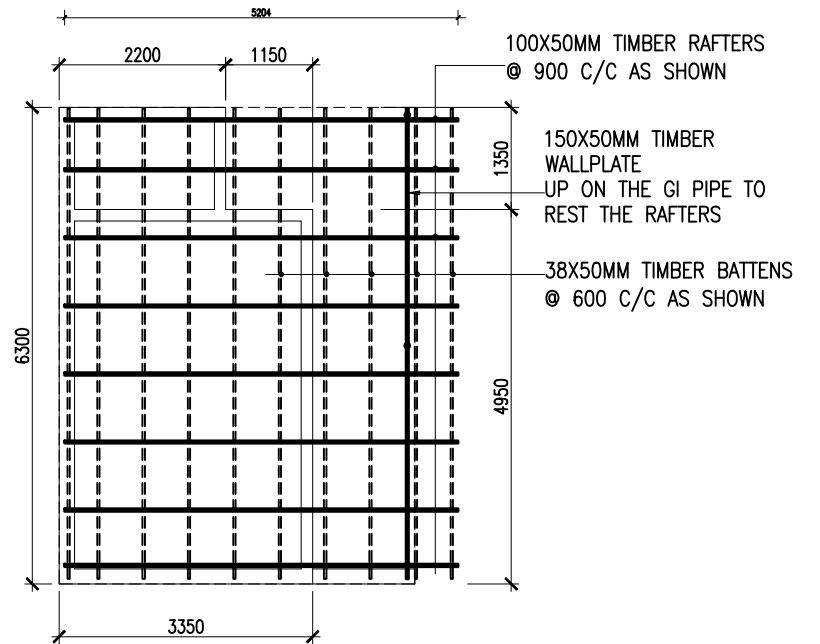
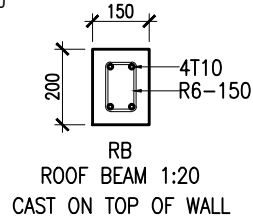
FOUNDATION BEAM PLAN OF OFFICE

SCALE 1:100



ROOF BEAM PLAN OF OFFICE

SCALE 1:100



ROOF FRAME PLAN OF OFFICE

SCALE 1:100

NOTE:
PROVIDE PROFILED ROOFING SHEET FOR ROOF COVERING

NOONU ATOLL MAGOODHOO COUNCIL	
WASTE MANAGEMENT SITE RENOVATION AND UPGRADING	SEPTEMBER 2021
	SCALE AS GIVEN