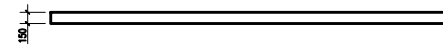
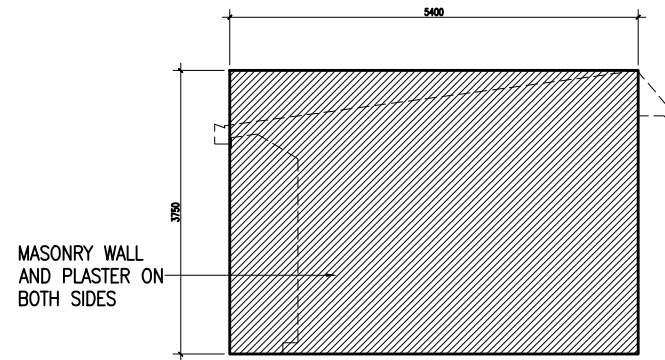


SECTION VIEW OF WASTE COLLECTION SHED

SCALE 1:100



WALL PLAN VIEW



WALL FRONT VIEW

NEW WALL MASONRY & PLASTERING OF WASTE COLLECTION SHED

SCALE 1:100

NOONU ATOLL MAGOODHOO COUNCIL	
WASTE MANAGEMENT SITE RENOVATION AND UPGRADING	SEPTEMBER 2021 SCALE AS GIVEN