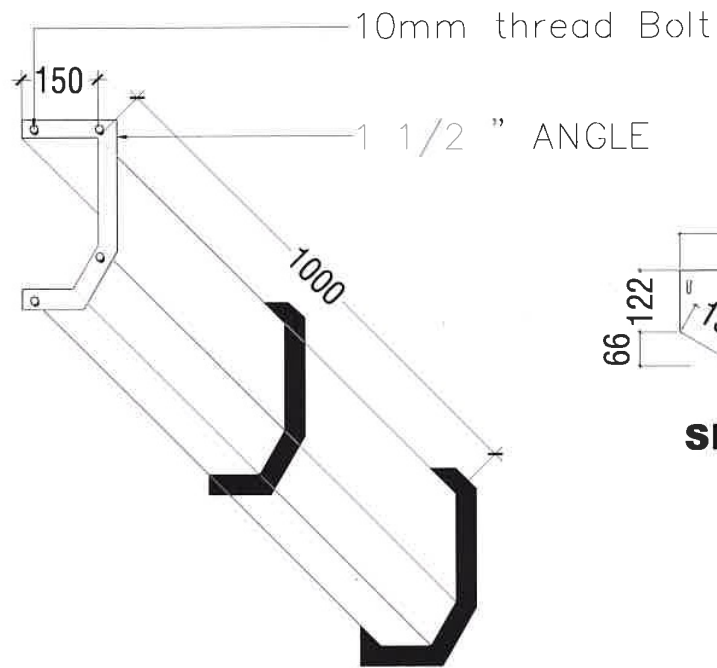
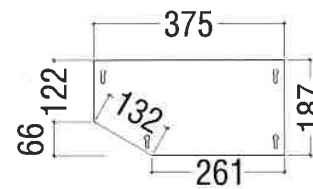


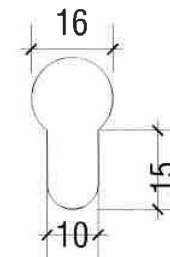
**SIDE VIEW**



**AXONOMETRIC VIEW**




**SIDE PLATE**



**HOLE DETAIL**

Curbstone Mould  
 Body: 3mm MS Sheet  
 Bolt: 10mm

<b>PROJECT:</b>		<b>CONTRACTOR:</b>		<b>DRAWING TITLE:</b>		<b>DRAWN BY:</b> ALI ZAMEER	
<b>CLIENT:</b>		<b>CONTRACTOR:</b>		<b>DRAWING TITLE:</b>		<b>APPROVED BY:</b> MOHAMED SHAREEF	
MALE' CITY COUNCIL KAMBAA AISAA RANI HINGUN, MALE' REPUBLIC OF MALDIVES		ROAD DEVELOPMENT CORPORATION LTD. ORCHID MAGU, MAAFANNU, MALE' REPUBLIC OF MALDIVES		CURBSTONE MOULD		PROJECT NO:	
						DRAWING NO:	
						SCALE:	