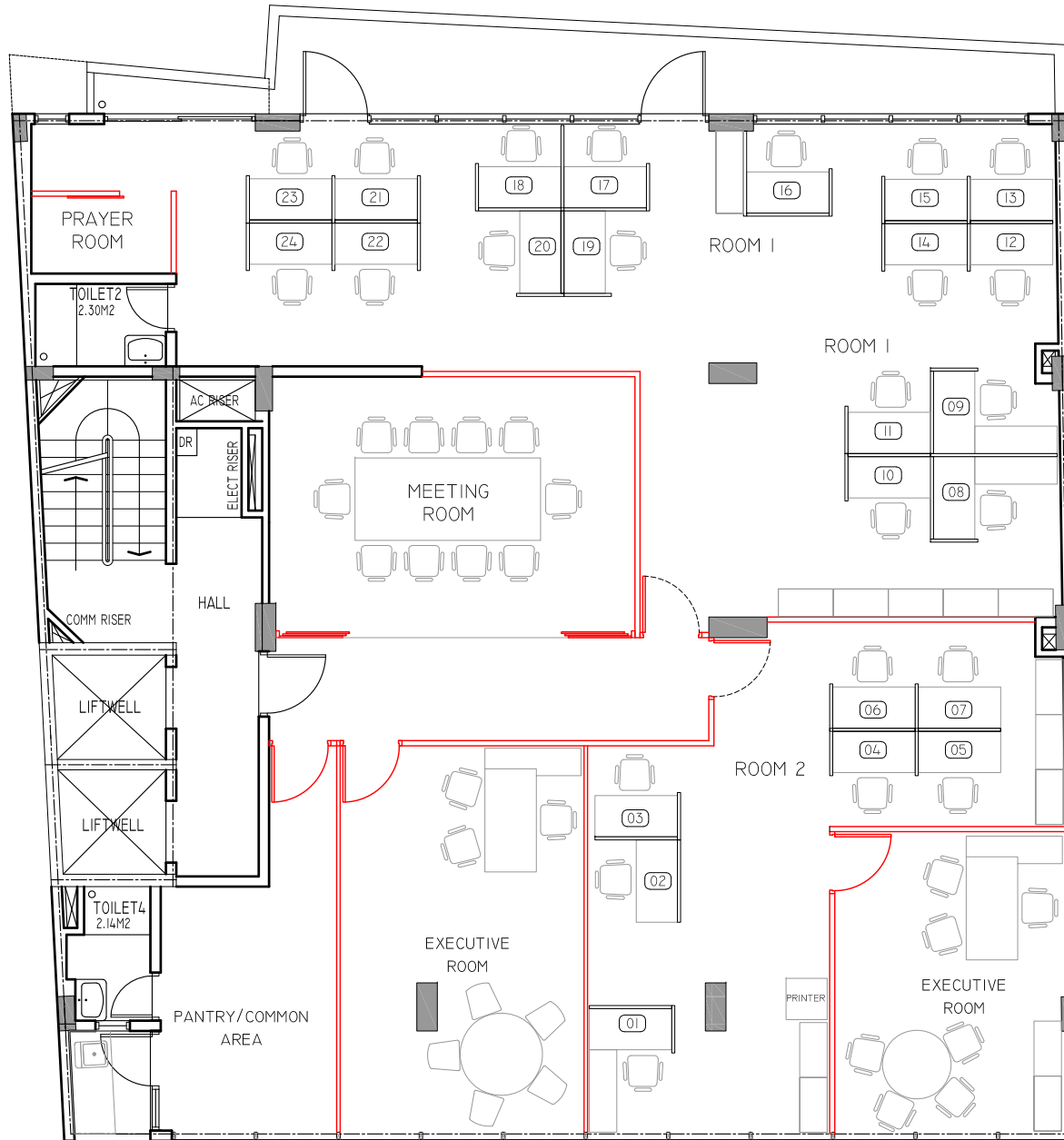


**H. SUEZ 2ND FLOOR - FLOOR LAYOUT**

SCALE 1:100

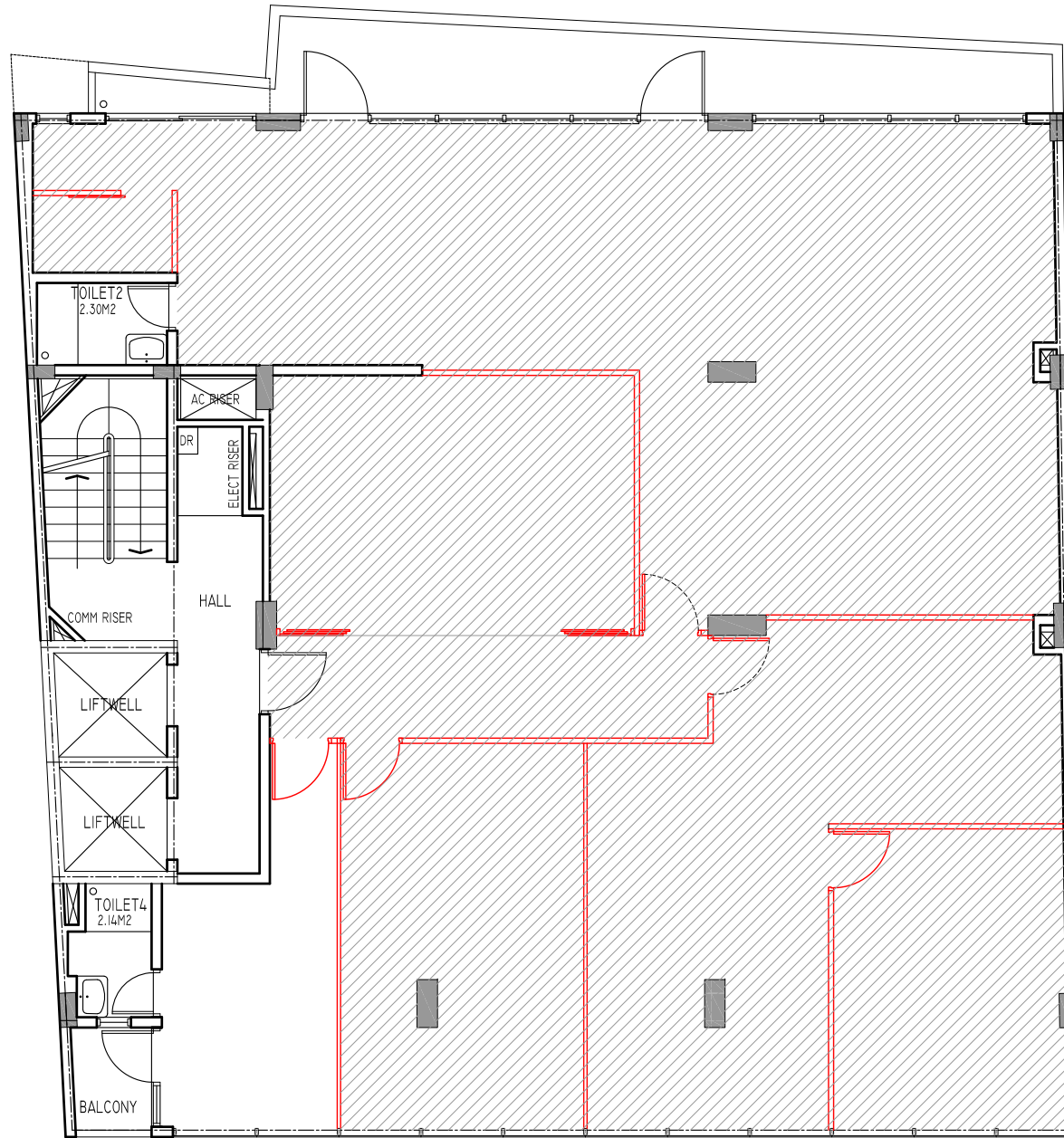
PROJECT: H. SUEZ 2ND FLOOR PARTITION WORKS



**H. SUEZ 2ND FLOOR - FURNITURE LAYOUT**

SCALE 1:100

PROJECT: H. SUEZ 2ND FLOOR PARTITION WORKS

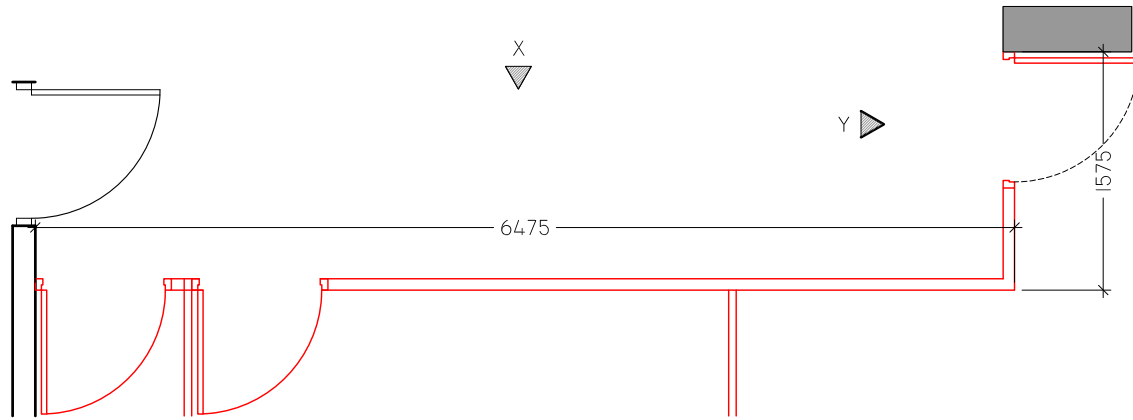


**H. SUEZ 2ND FLOOR - FLOOR FINISH PLAN**

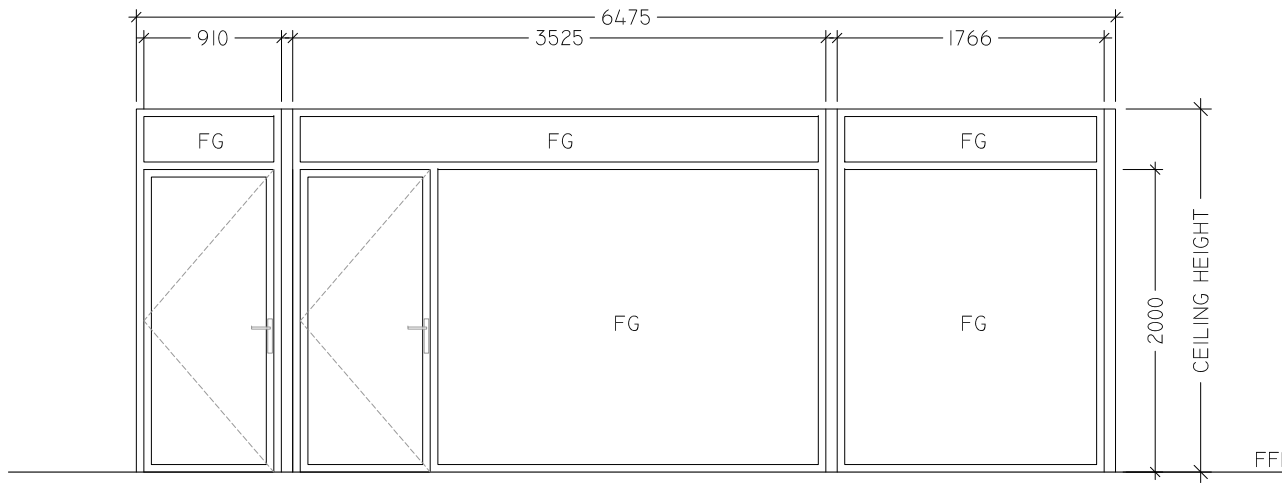
SCALE 1:100


 PARQUET FLOOR FINISH  
 APPROX. AREA 172M2

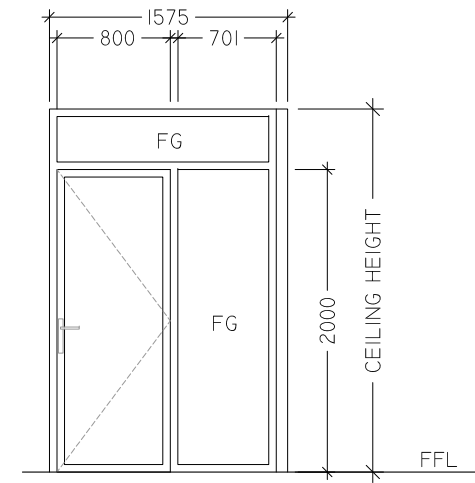
PROJECT: H. SUEZ 2ND FLOOR PARTITION WORKS



PLAN



ELEVATION X

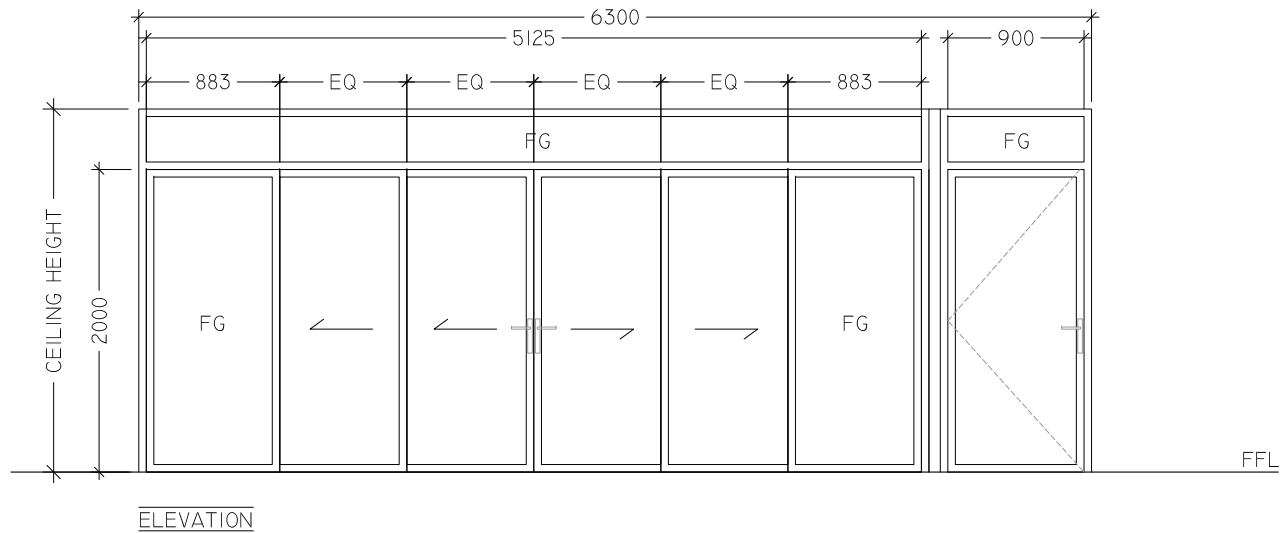
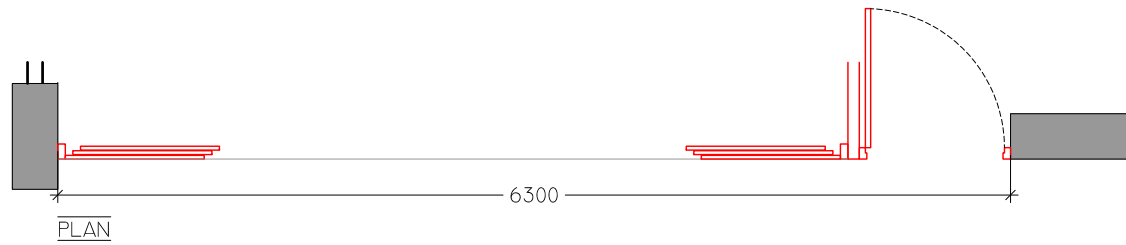


ELEVATION Y

**PARTITION DETAIL 'A'**

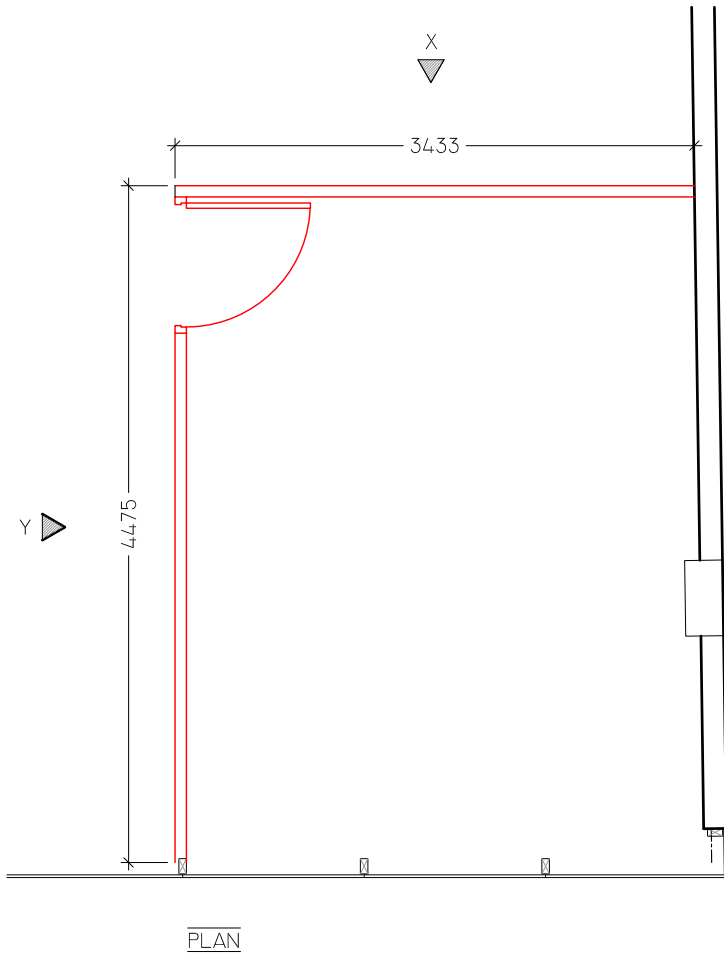
1:50

NOTE:  
 GSLD - GLASS SLIDING DOOR  
 FG - FIXED GLASS PANEL  
 FRAME: WHITE POWDER COATED ALUMINUM SECTION  
 GLAZING - 8MM THICK CLEAR GLASS WITH FROST STICKER

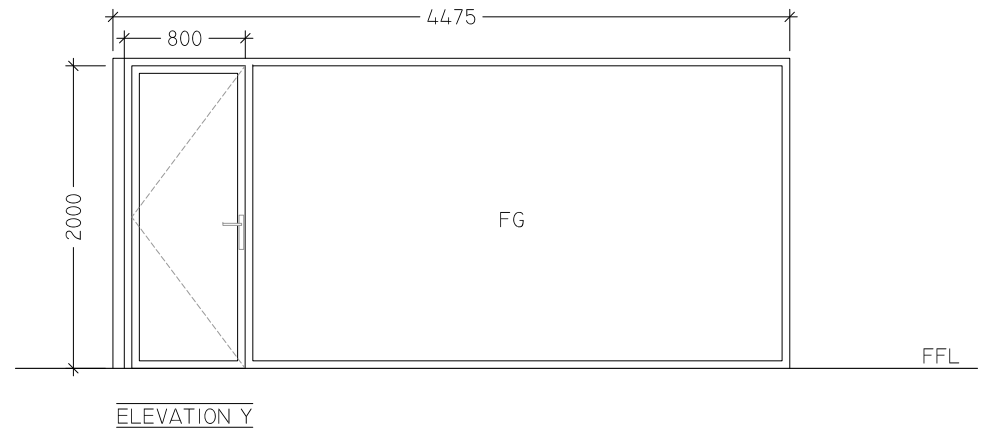
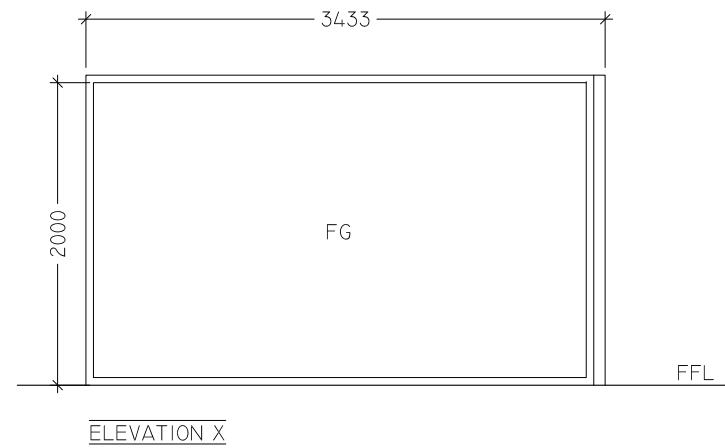


**PARTITION DETAIL 'B'**  
1:50

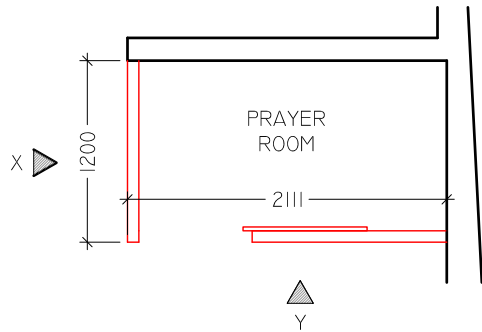
NOTE:  
 GSLD - GLASS SLIDING DOOR  
 FG - FIXED GLASS PANEL  
 FRAME: WHITE POWDER COATED ALUMINUM SECTION  
 GLAZING - 8MM THICK CLEAR GLASS WITH FROST STICKER



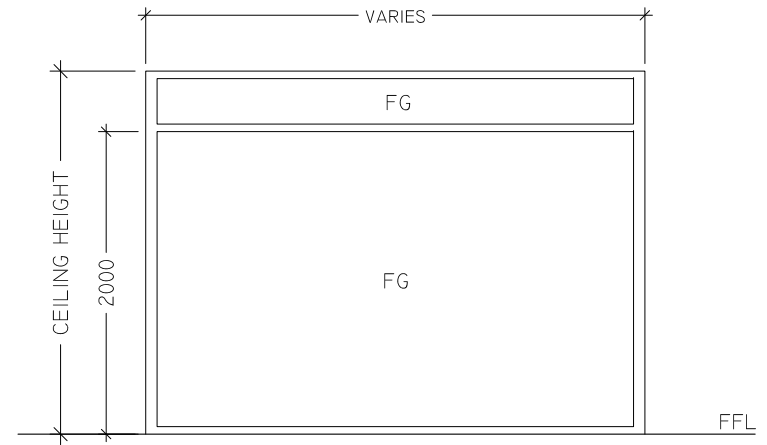
**PARTITION DETAIL 'C'**  
1:50



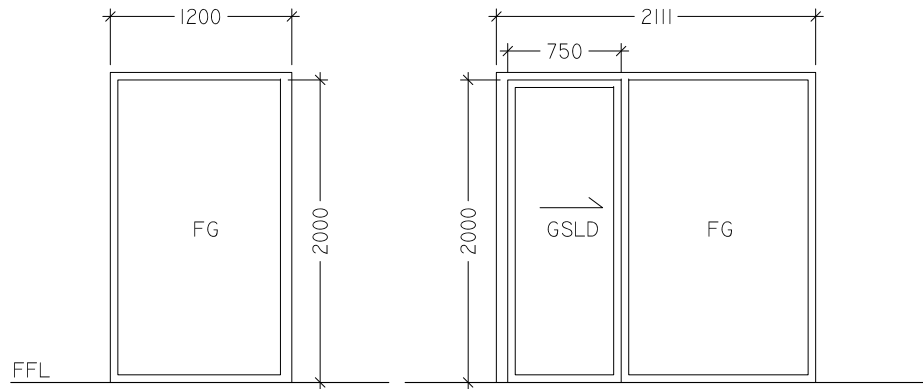
NOTE:  
 GSLD - GLASS SLIDING DOOR  
 FG - FIXED GLASS PANEL  
 FRAME: WHITE POWDER COATED ALUMINUM SECTION  
 GLAZING - 8MM THICK CLEAR GLASS WITH FROST STICKER



PLAN



ELEVATION



ELEVATION X

ELEVATION Y

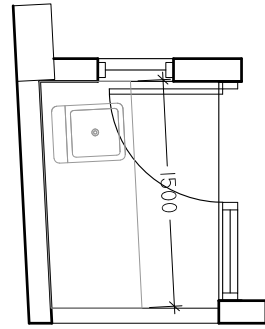
PARTITION	LENGTH
P1	3875MM
P2	3175MM
P3	3900MM
P4	5625MM

TYPICAL PARTITION  
1:50

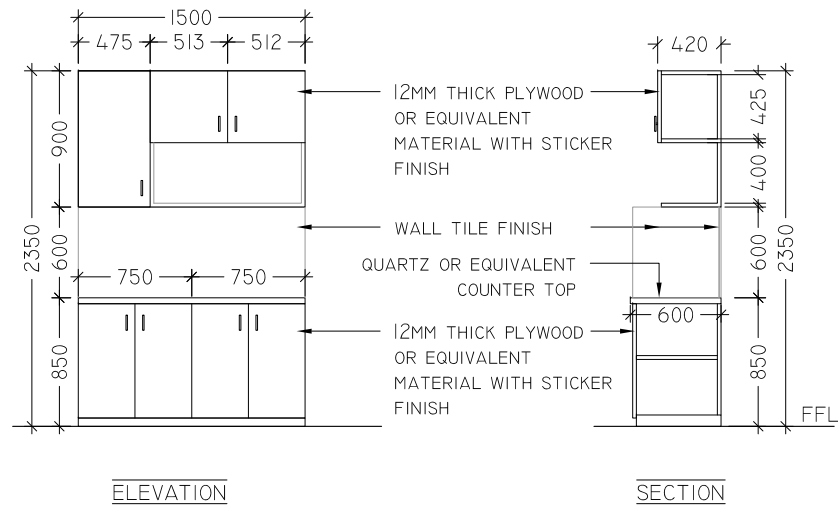
PRAYER ROOM PARTITION DETAILS

1:50

NOTE:  
GSLD - GLASS SLIDING DOOR  
FG - FIXED GLASS PANEL  
FRAME: WHITE POWDER COATED ALUMINUM  
SECTION  
GLAZING - 8MM THICK CLEAR GLASS WITH  
FROST STICKER



PLAN



## PANTRY CABINET DETAILS

SCALE 1:50