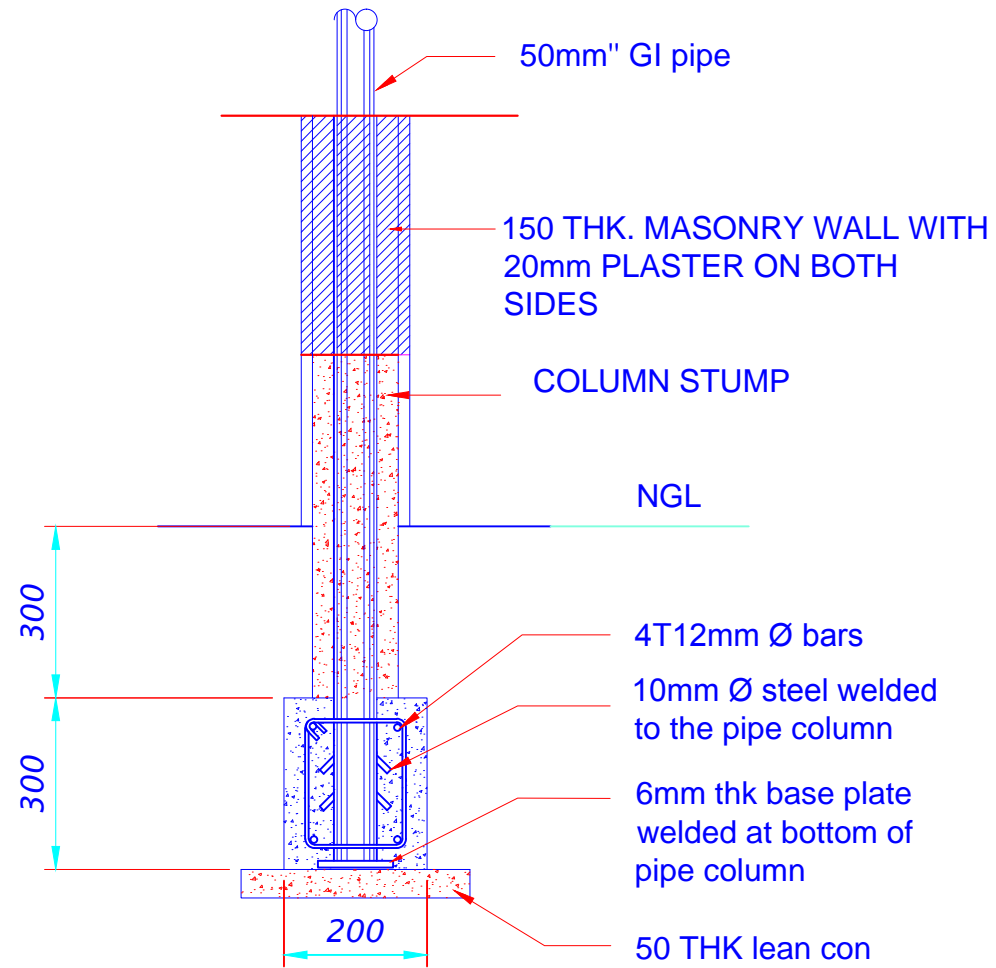


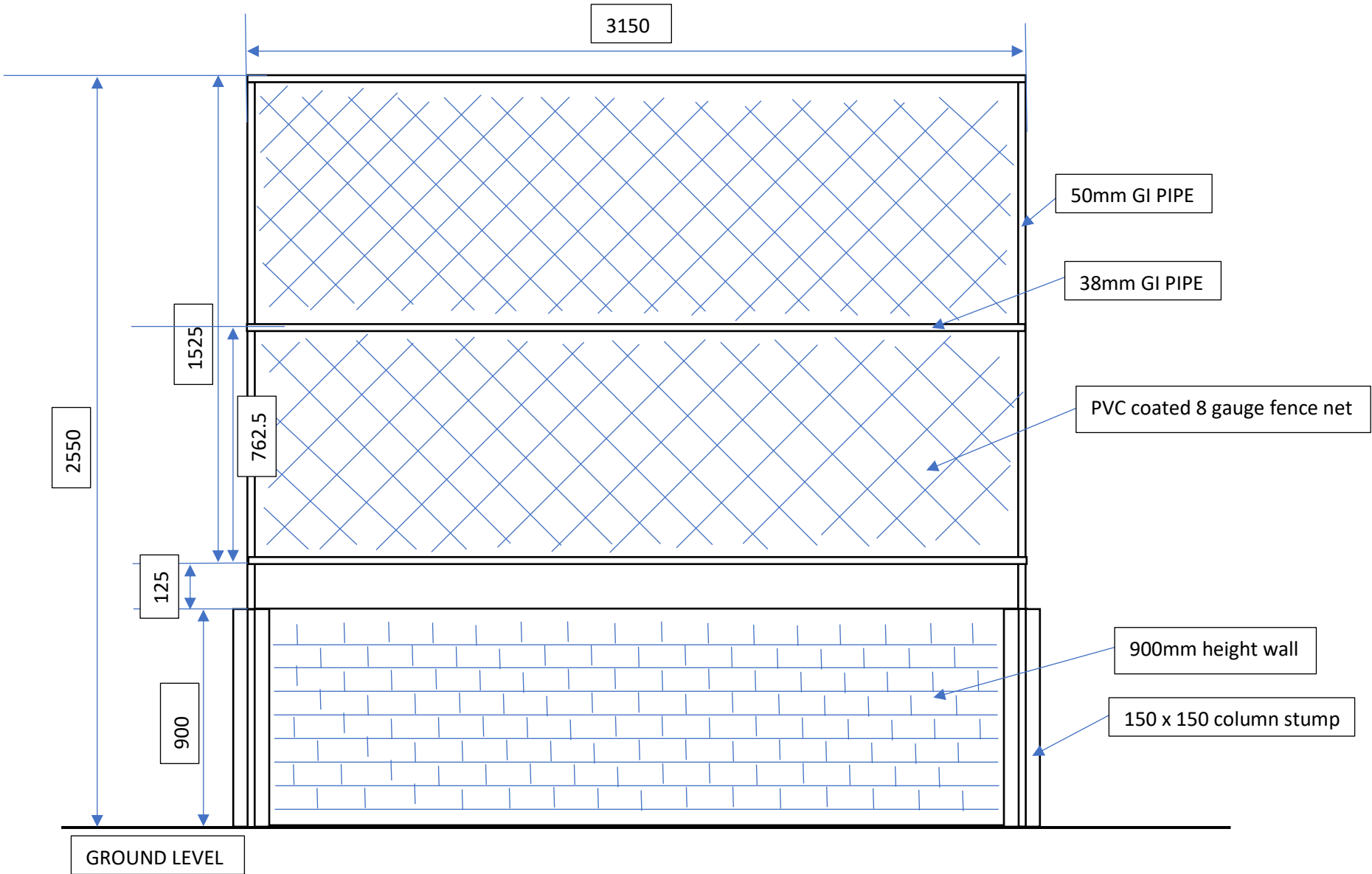
STANDARD ARTIFICIAL TURF FULL PITCH PLAN

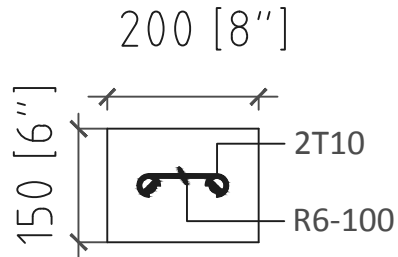


## DETAL- COLUMN STUMP

Scale - 1:20

# FENCING DETAIL

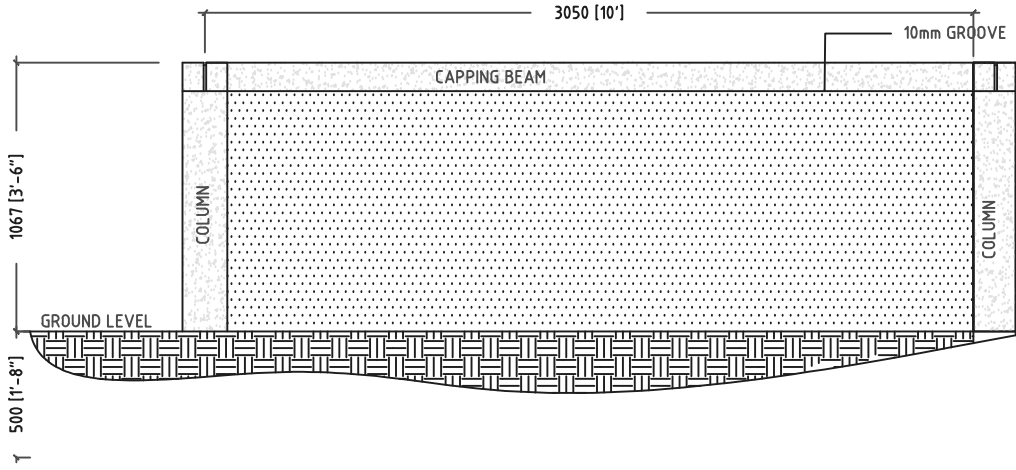




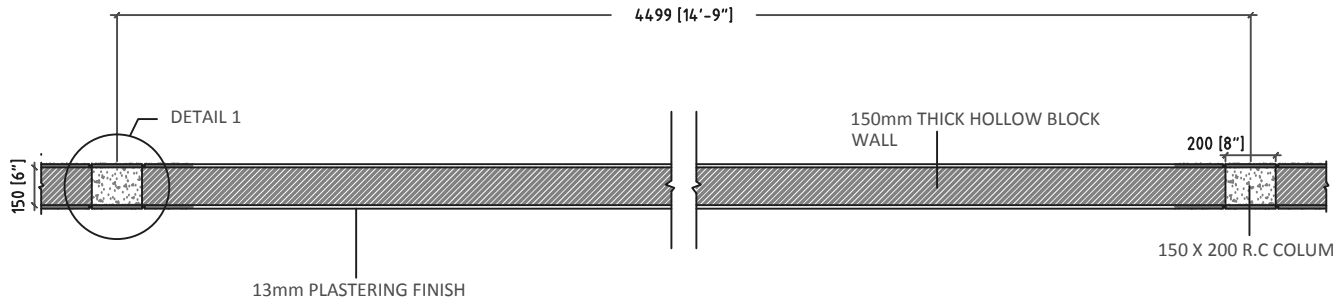
# TOPICAL COLUMN

---

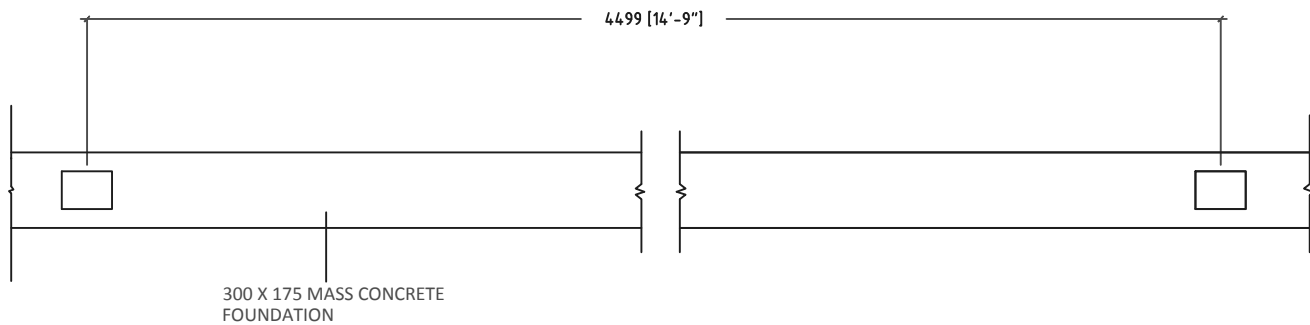
SCALE 1:10



**ELEVATION**  
SCALE 1:25



PLAN  
SCALE 1:5



FOUNDATION PLAN  
SCALE 1:5