



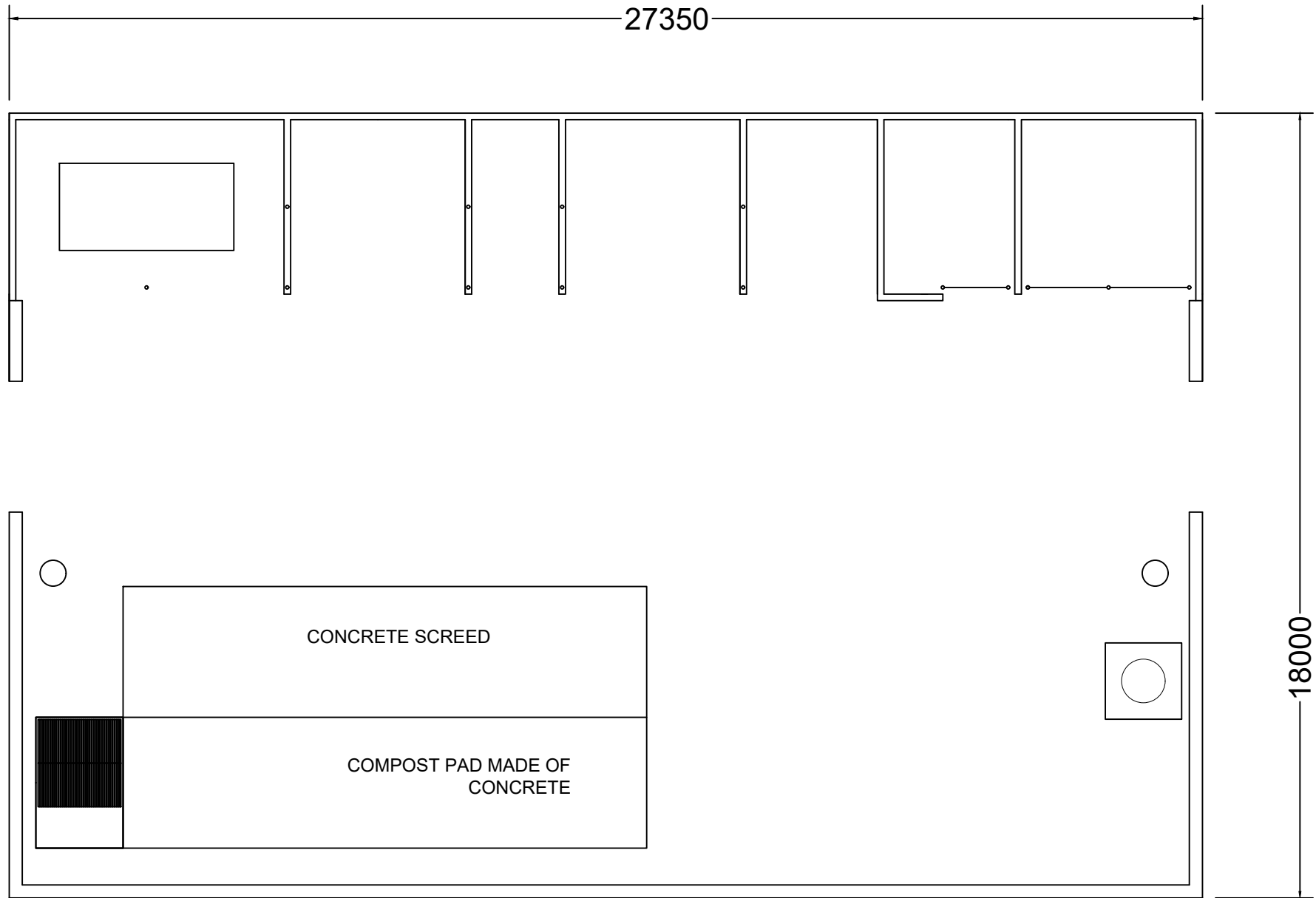
PROJECT:

**CONSTRUCTION OF
AN ISLAND WASTE MANAGEMENT CENTRE
at V. Fulidhoo**

PREPARED BY:

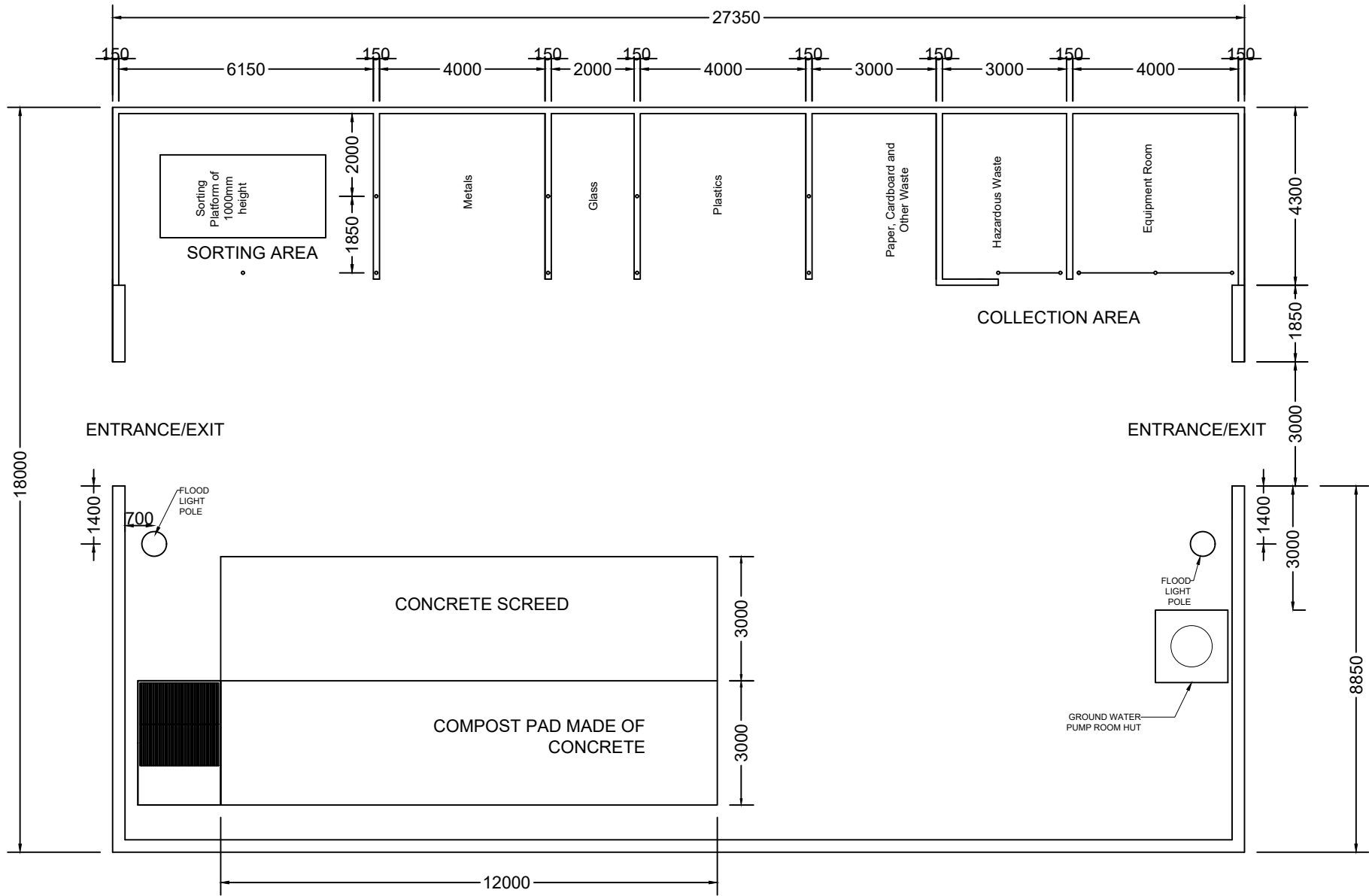
WASTE MANAGEMENT AND POLLUTION CONTROL DEPARTMENT
MINISTRY OF ENVIRONMENT AND ENERGY

JULY 2017

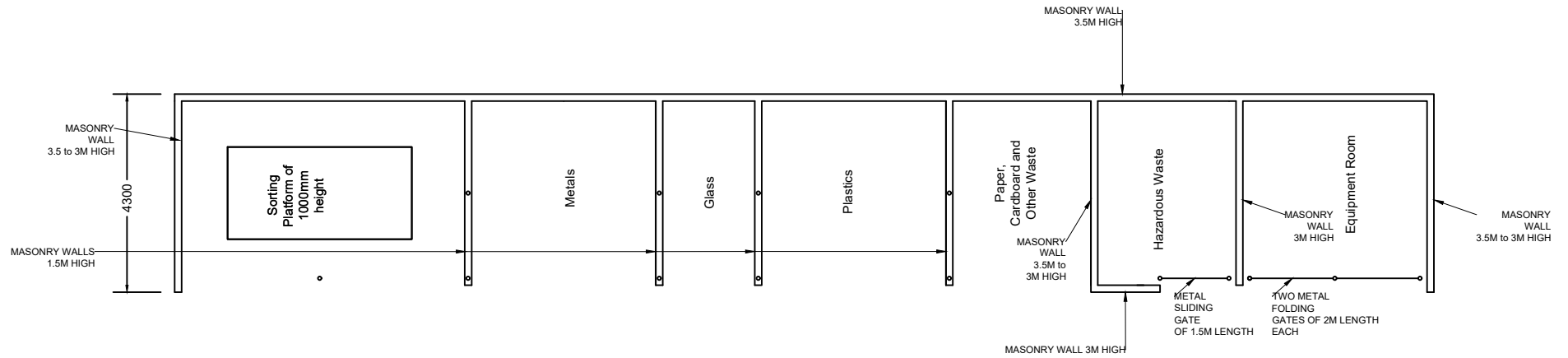


SITE LAYOUT



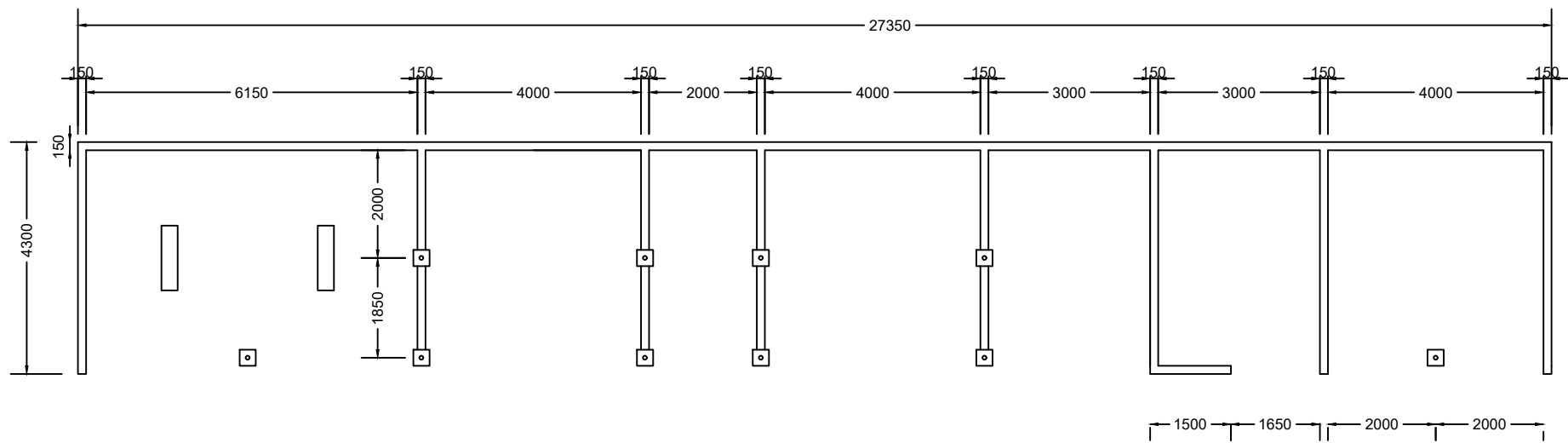


SITE LAYOUT



COLLECTION BAY - PLANS

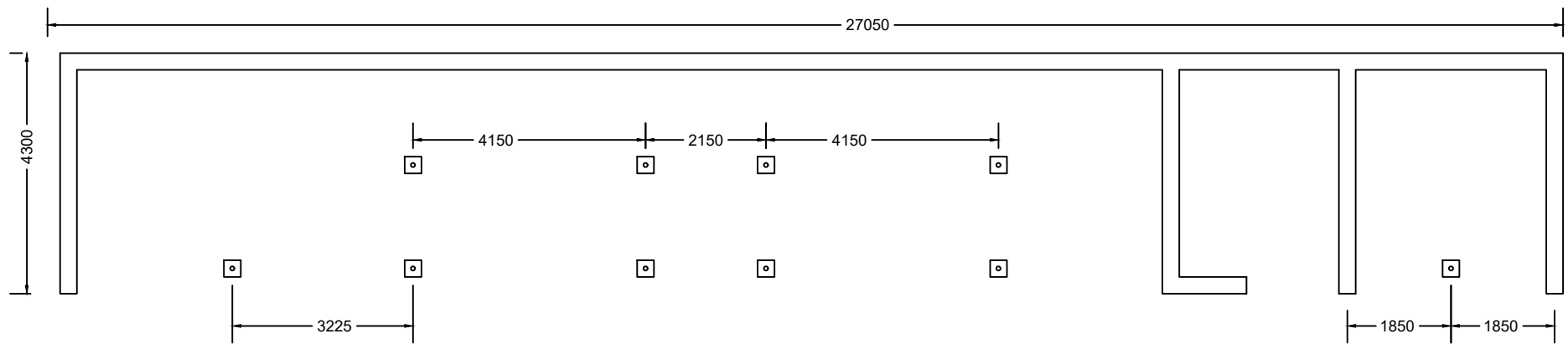




FLOOR PLAN

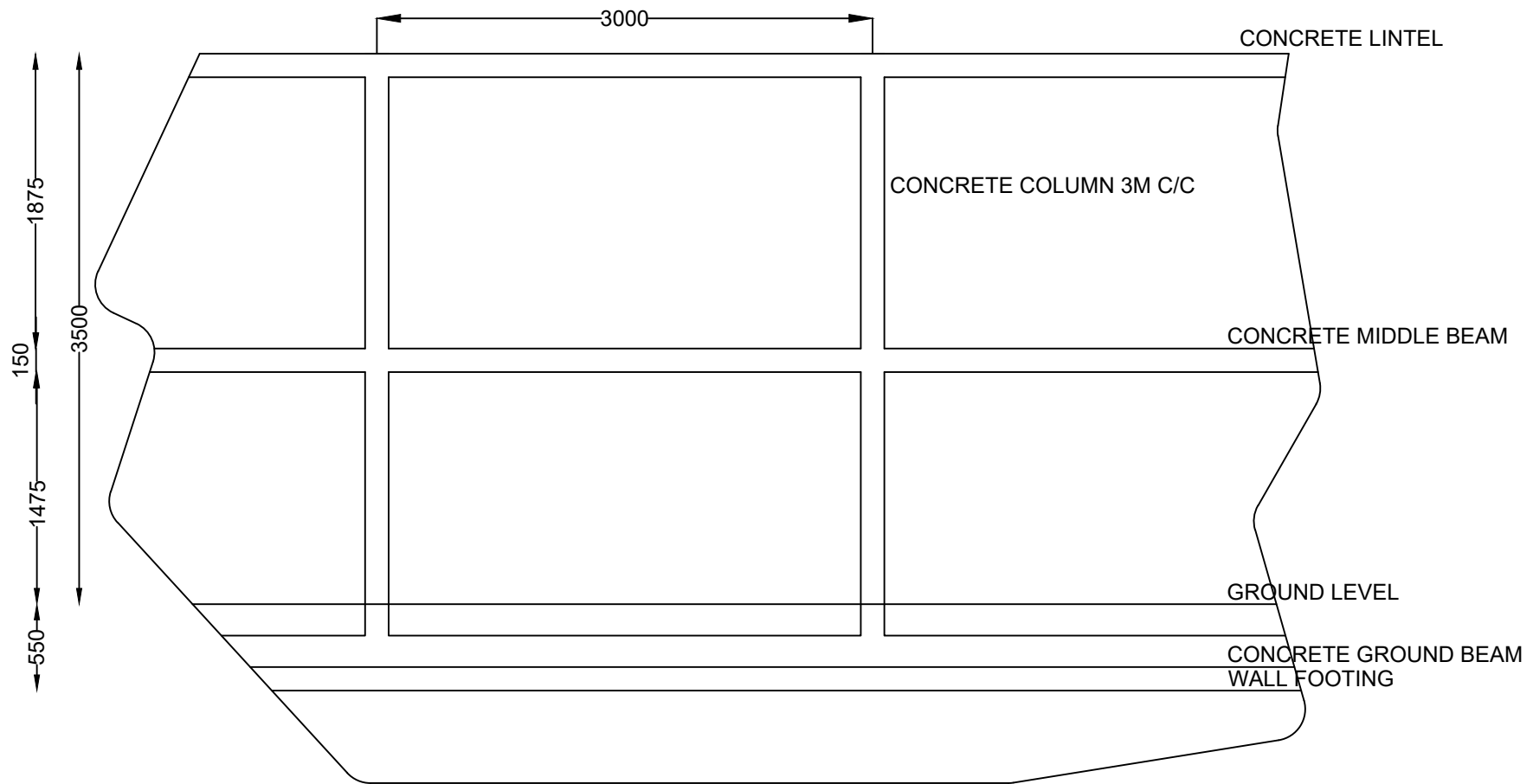
COLLECTION BAY - FLOOR PLAN





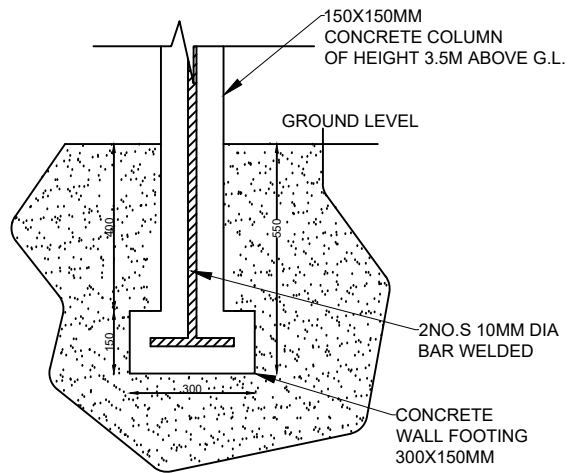
COLLECTION BAY - FOUNDATION PLAN



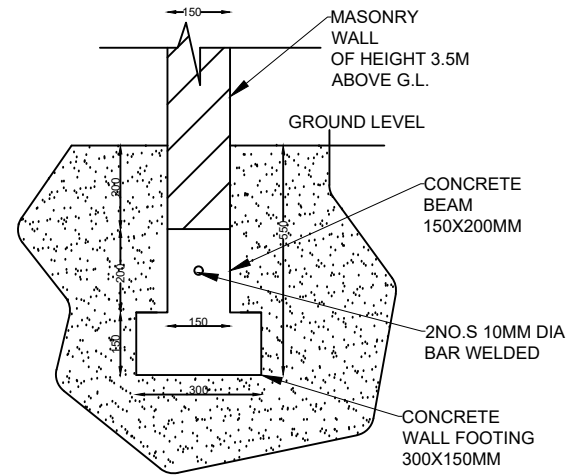


COLLECTION BAY - WALL

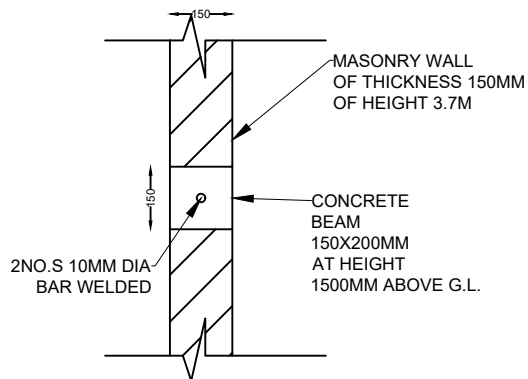




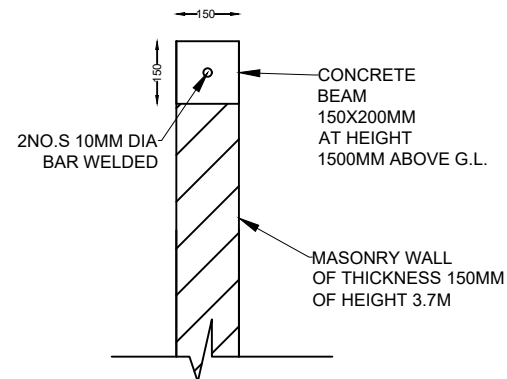
COLUMN DETAILS



BEAM AND WALL FOOTING DETAILS

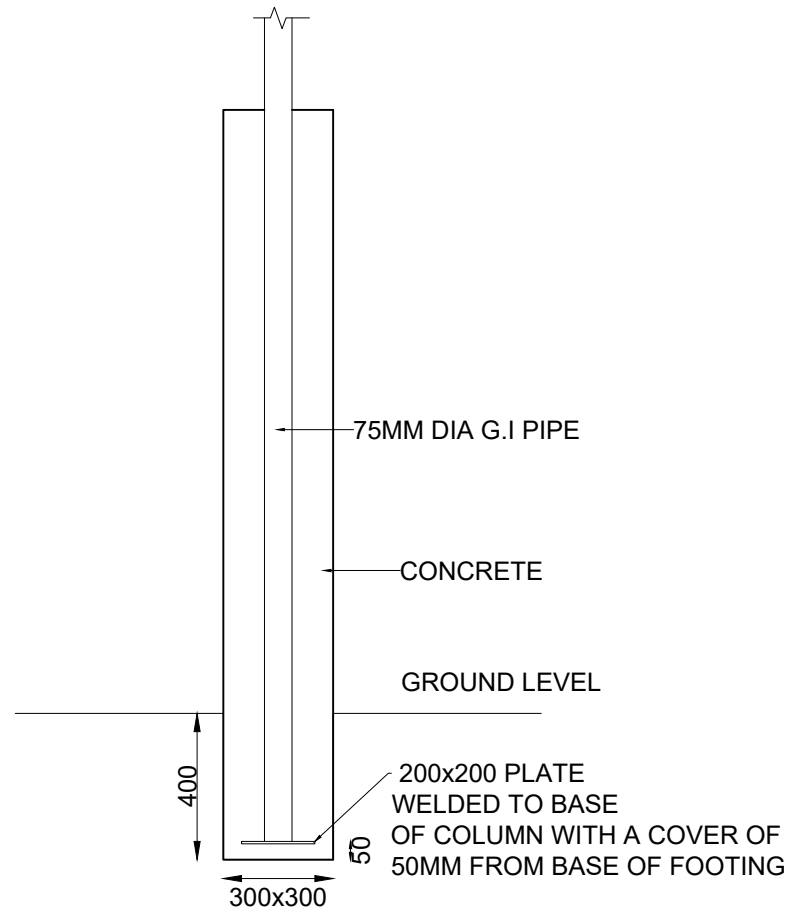


MIDDLE BEAM DETAILS



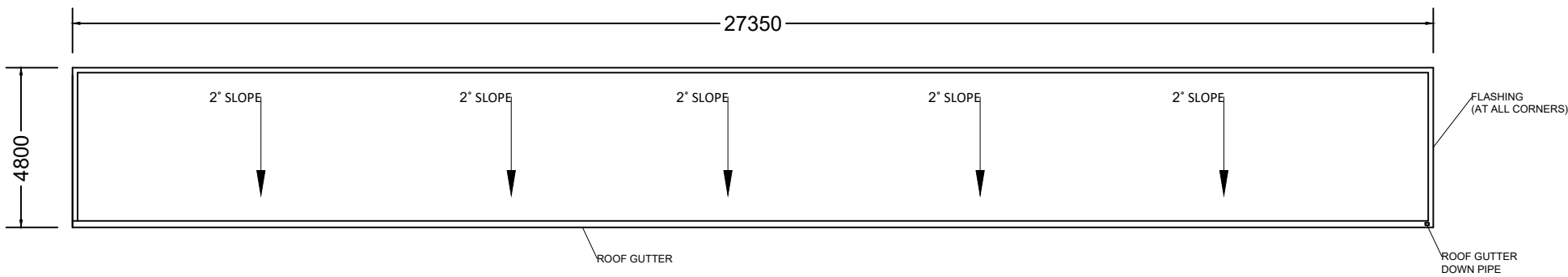
LINTEL DETAILS

COLLECTION BAY - WALL DETAILS



COLLECTION BAY
G.I. PIPE COLUMN FOUNDATION

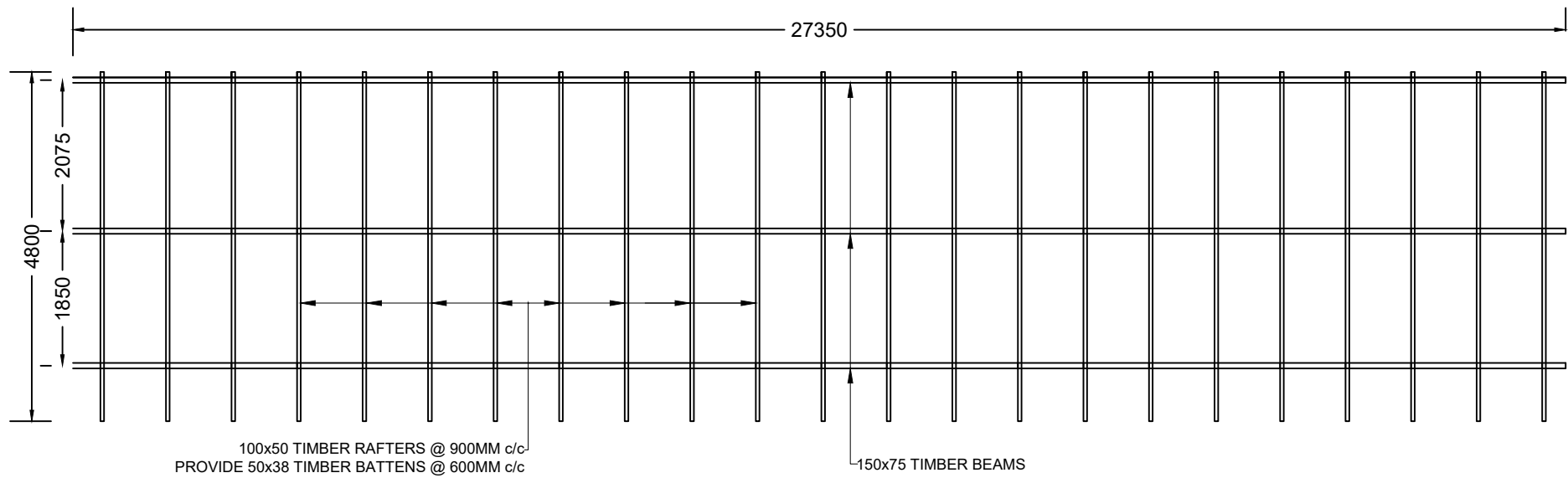
COLLECTION BAY - G.I PIPE COLUMN FOUNDATION DETAILS



ROOF PLAN

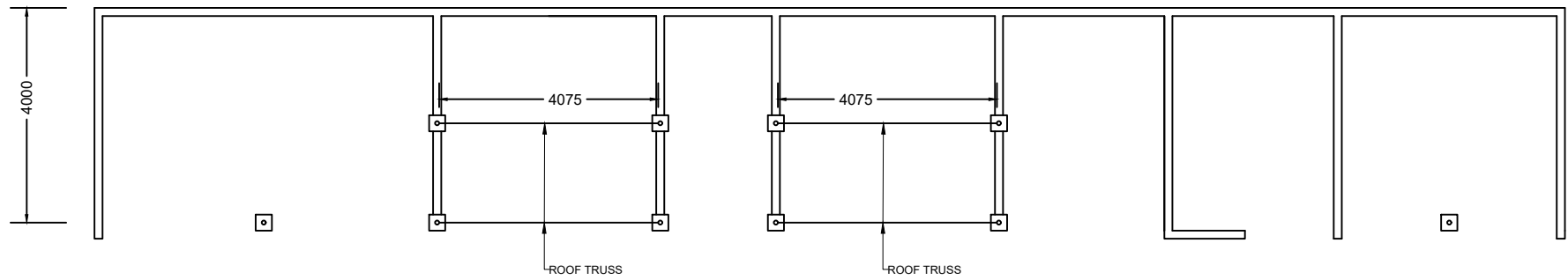
COLLECTION BAY - ROOF PLAN





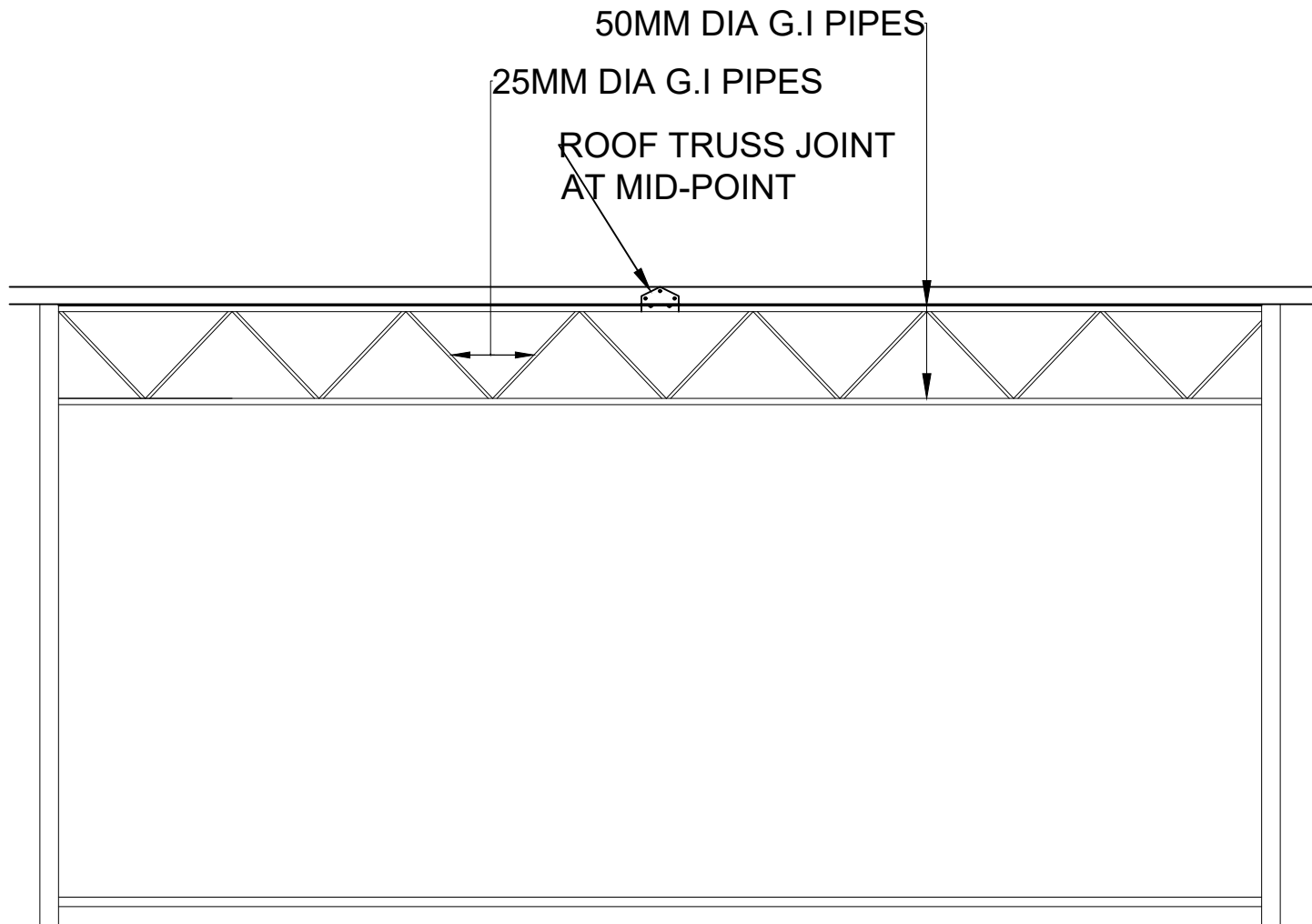
COLLECTION BAY - ROOF FRAMING PLANS



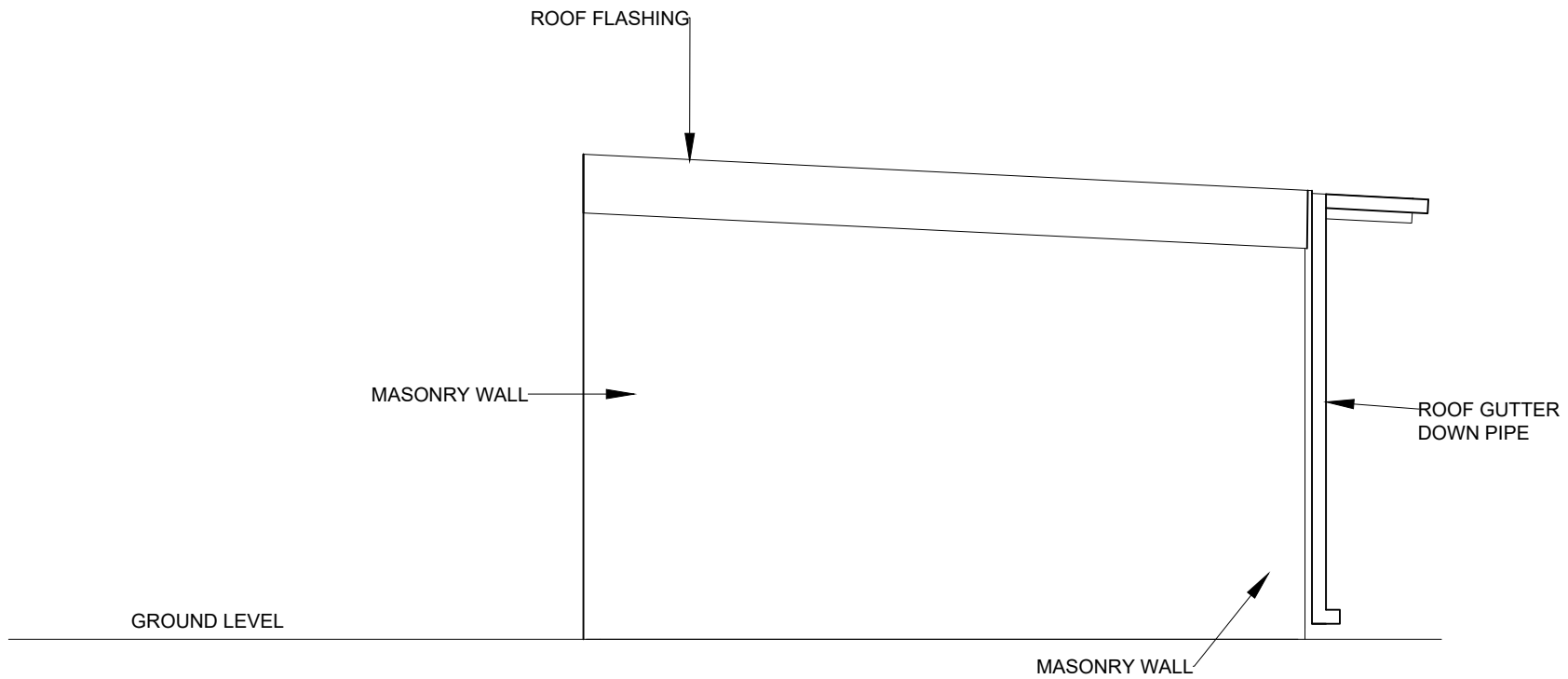


COLLECTION BAY - ROOF TRUSS PLAN

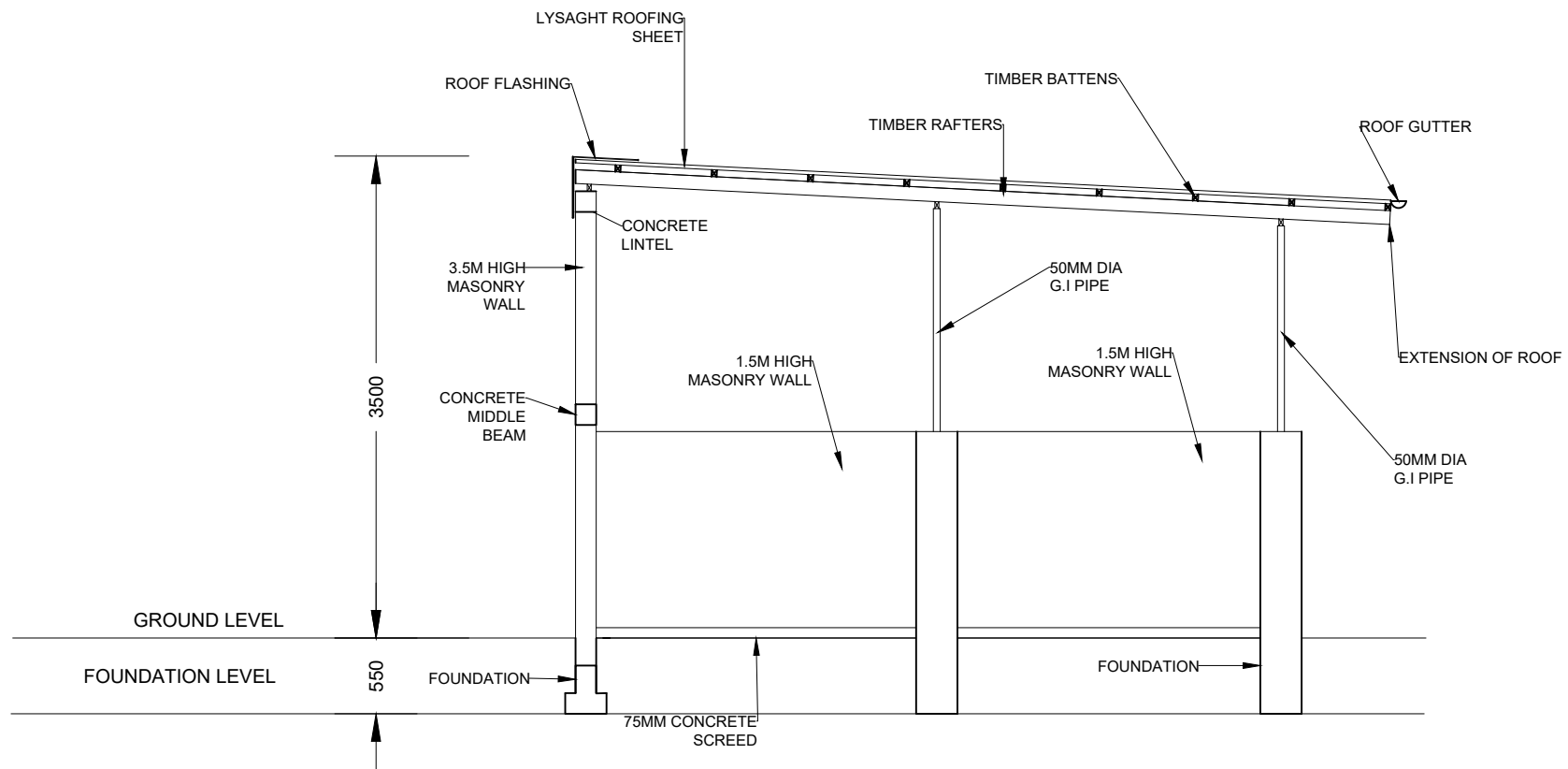




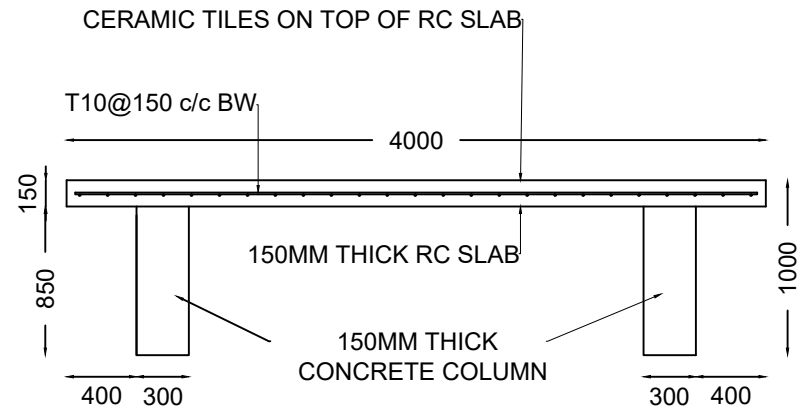
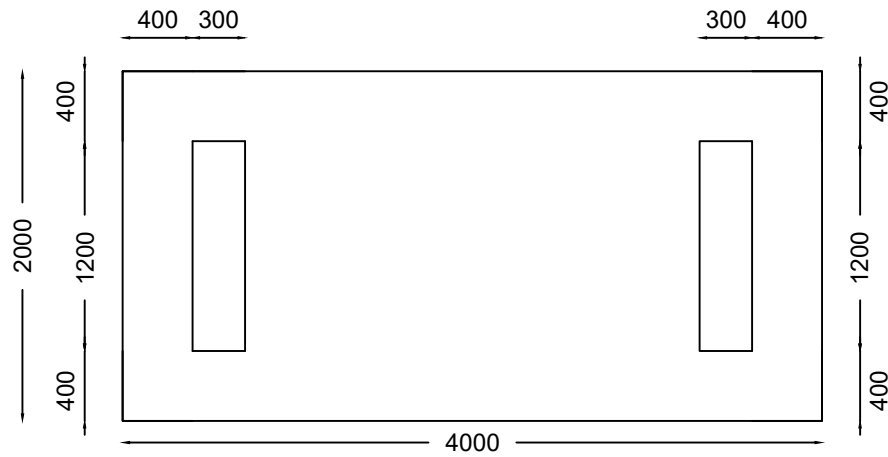
COLLECTION BAY - TRUSS DETAILS



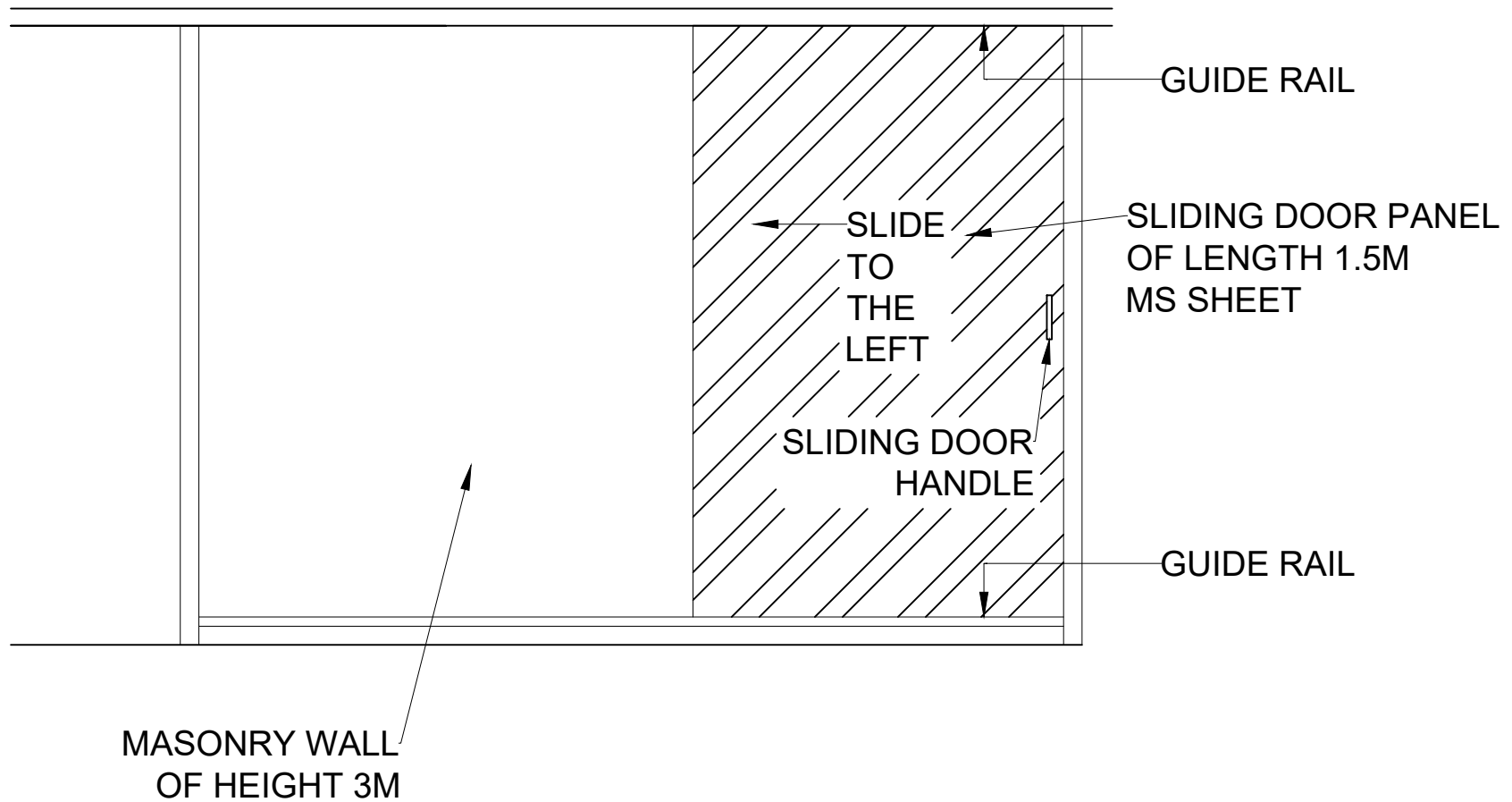
COLLECTION BAY - SIDE ELEVATION



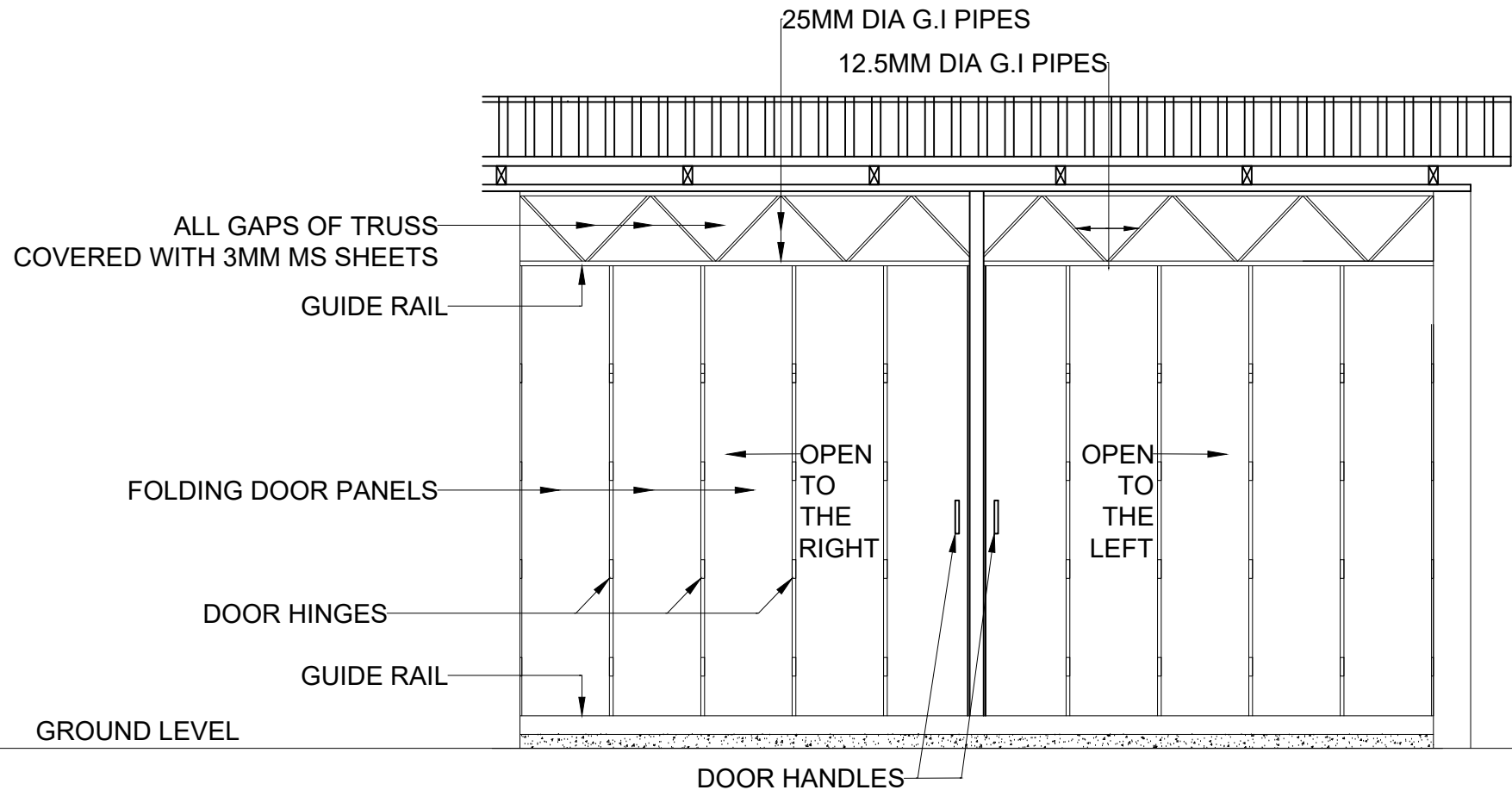
COLLECTION BAY - CROSS SECTION



SORTING AREA - SORTING PLATFORM DETAILS

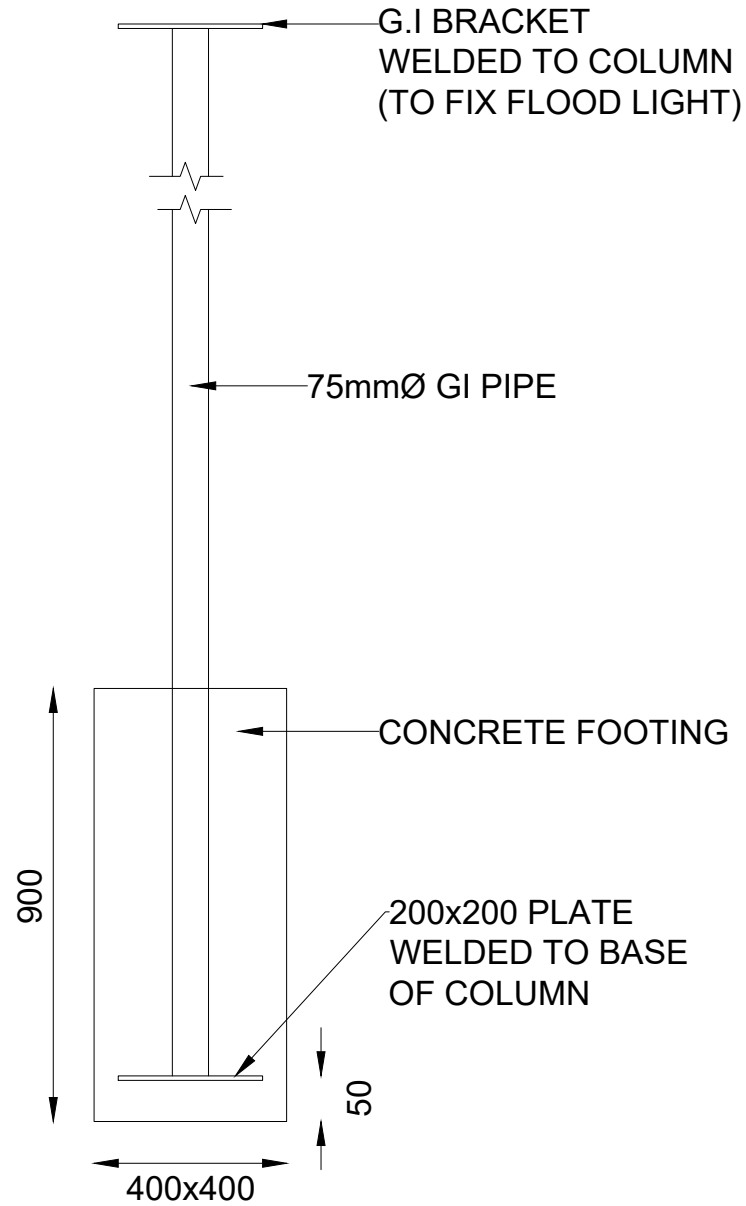


HAZARDOUS WASTE STORAGE ROOM - METAL SLIDING DOOR DETAIL

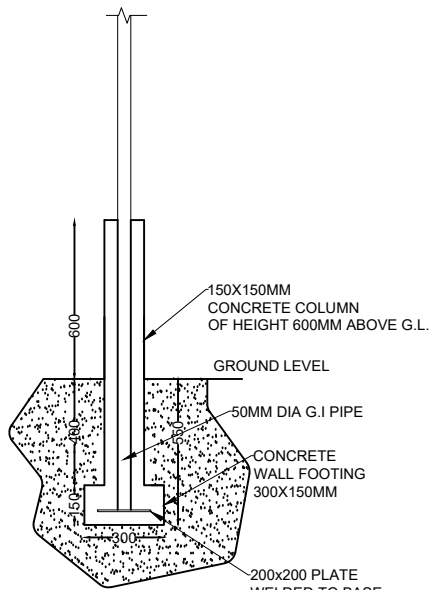


NOTE: ALL WELDS FOR TRUSS MEMBERS
ARE 5MM FILLET WELDS

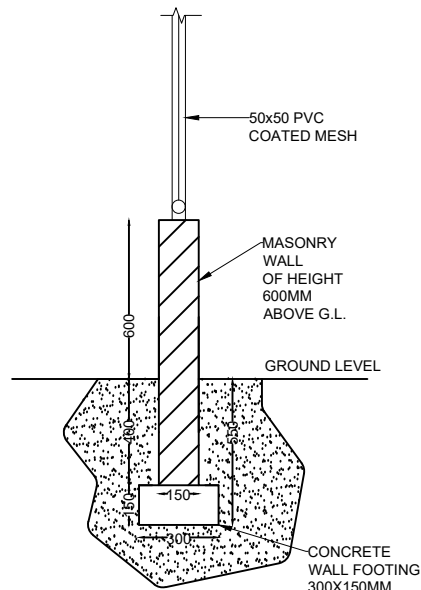
EQUIPMENT ROOM - METAL SLIDING DOOR DETAIL



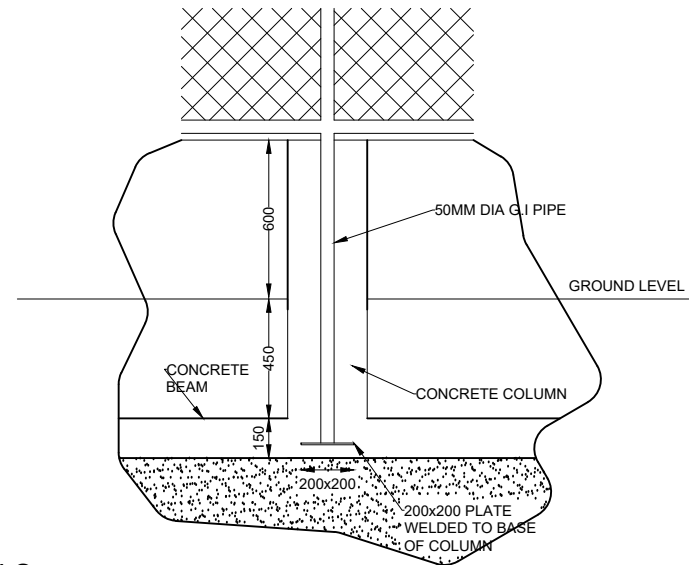
FLOOD LIGHT FOUNDATION DETAILS



PERIMETER WALL
COLUMN DETAILS

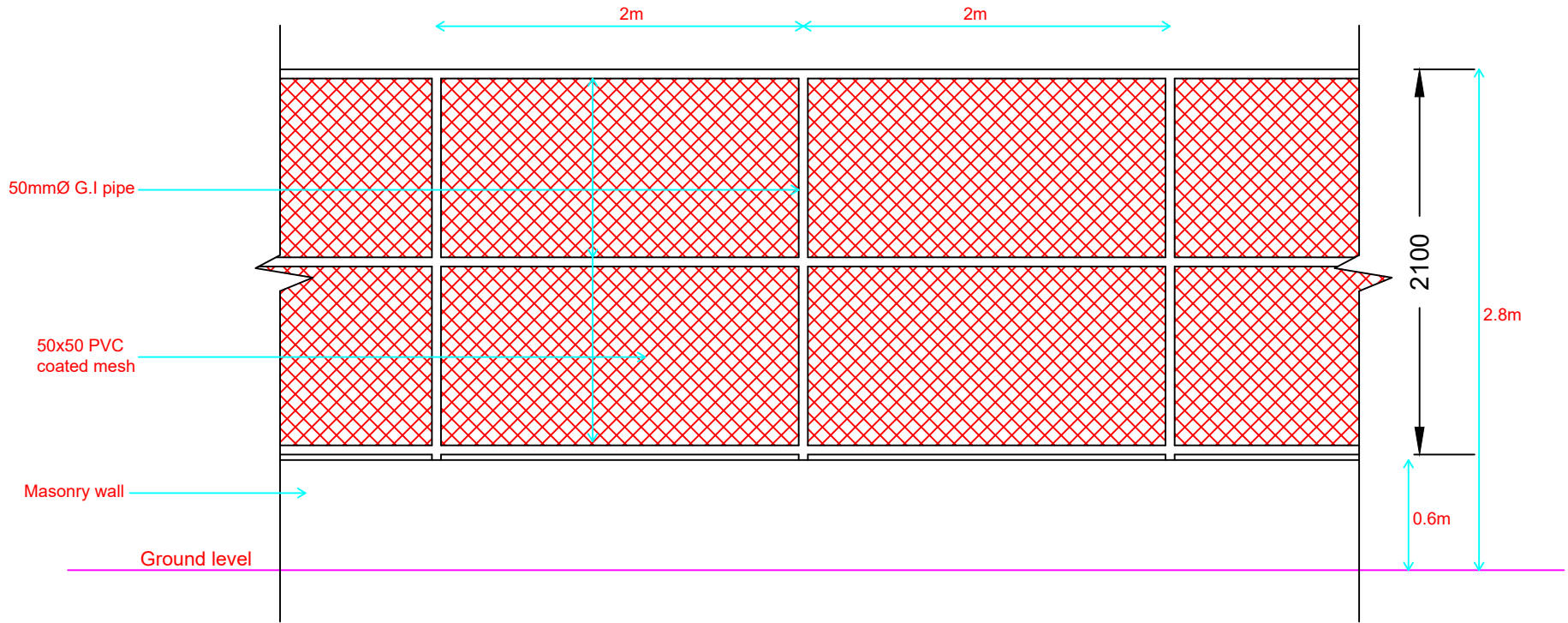


PERIMETER WALL
BEAM AND WALL FOOTING DETAILS



PERIMETER FENCE
FOUNDATION DETAIL

BOUNDARY WALL - BEAM AND COLUMN DETAILS

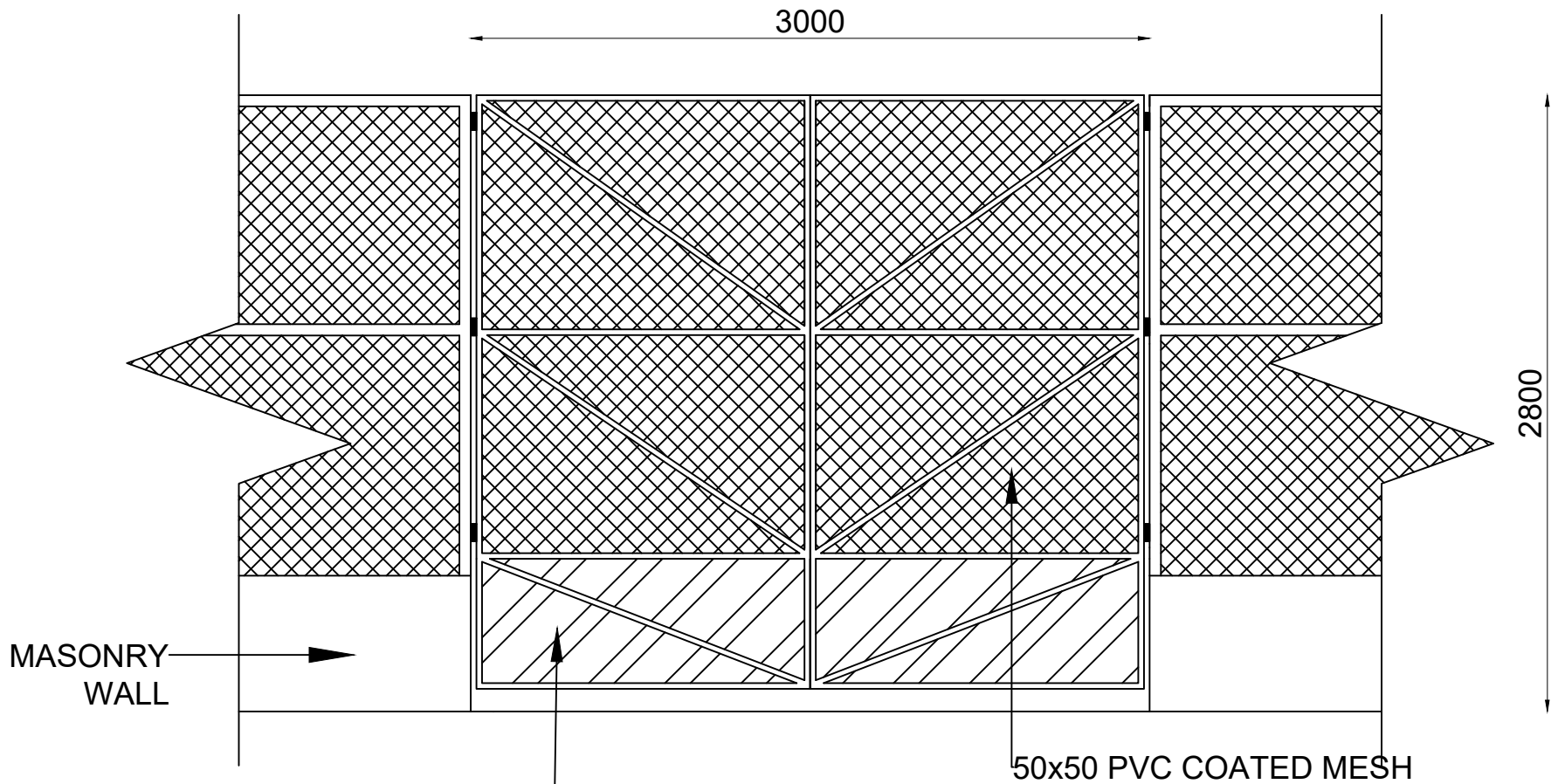


PERIMETER FENCE

NOTE: ALL WELDS
ARE 5mm FILLET
WELD AROUND
MEMBER

FENCE DETAILS

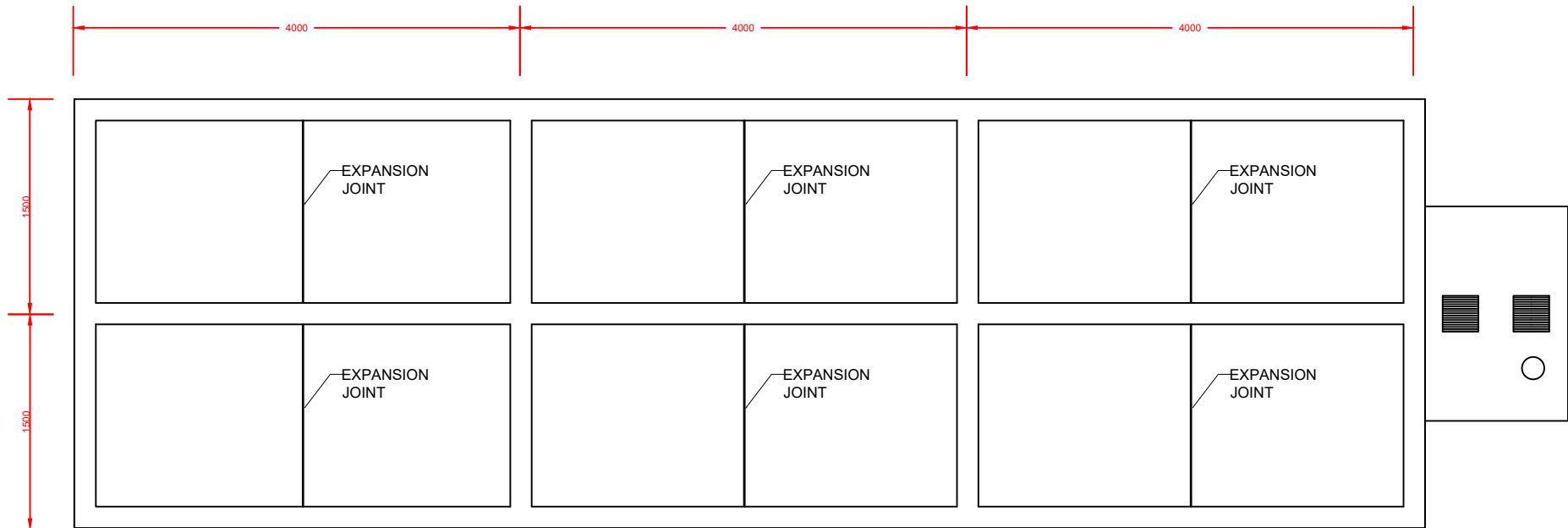




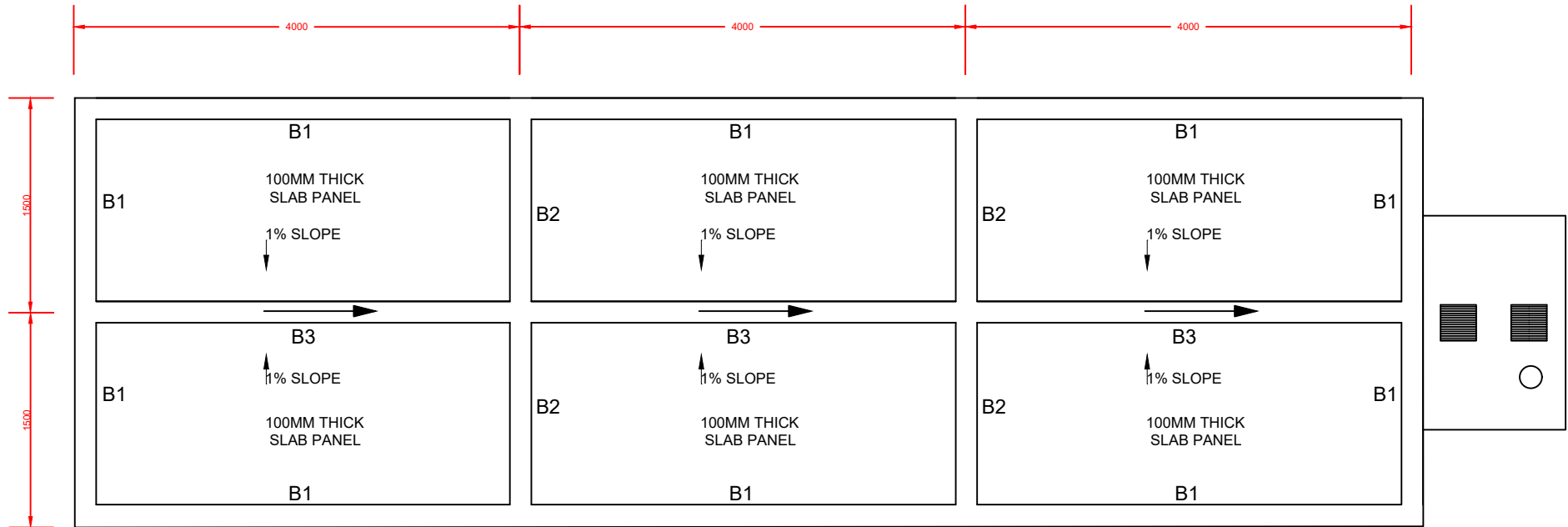
NOTE:
 - DOOR IS MADE FROM 25MM DIA GI PIPE
 - ALL WELDS ARE 5MM FILLET WELDS AROUND MEMBER

MAIN GATE

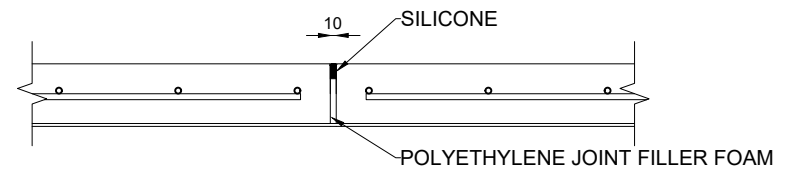
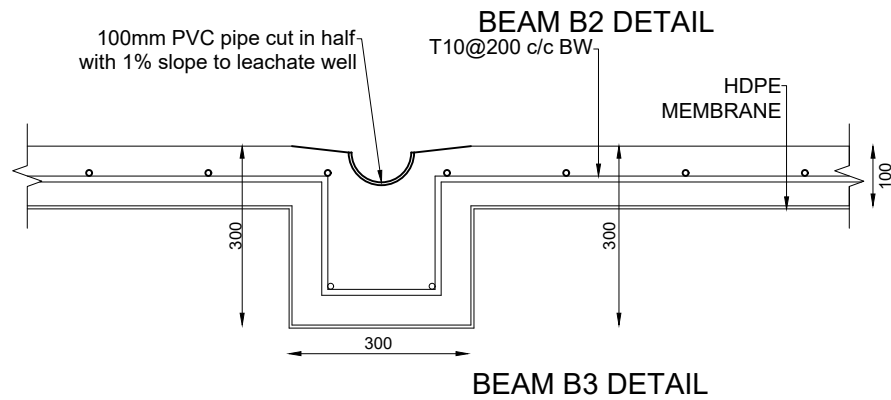
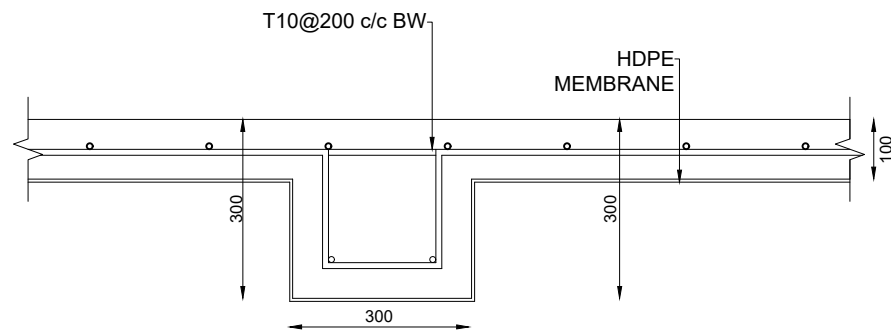
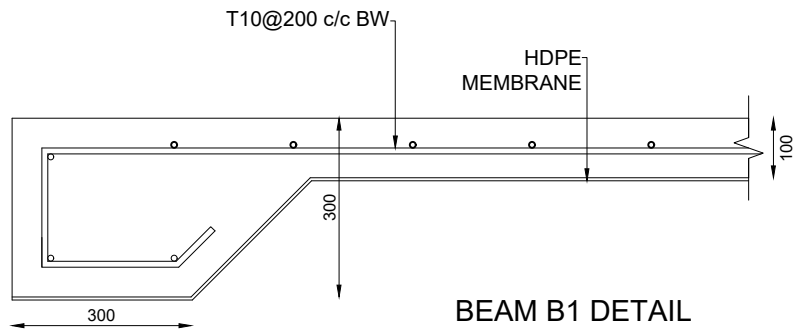




COMPOST SLAB - JOINTS AND SPACINGS

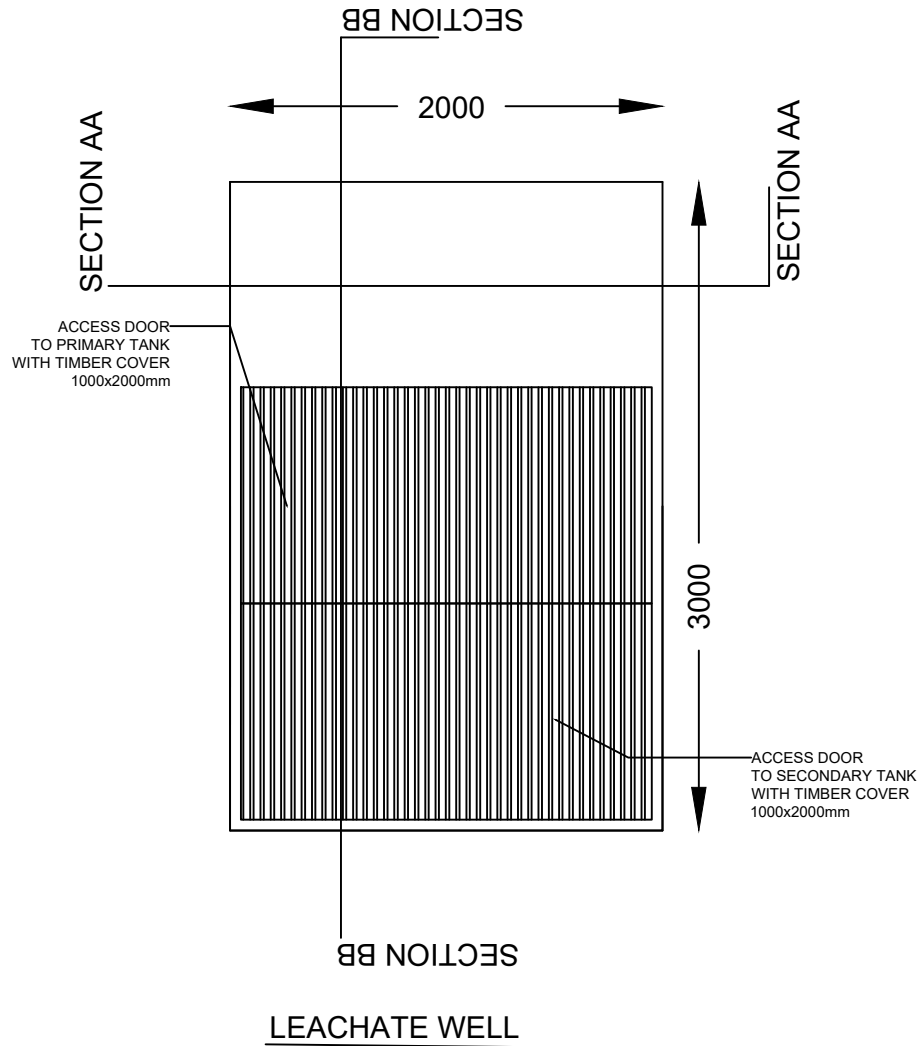


COMPOST SLAB - PLAN

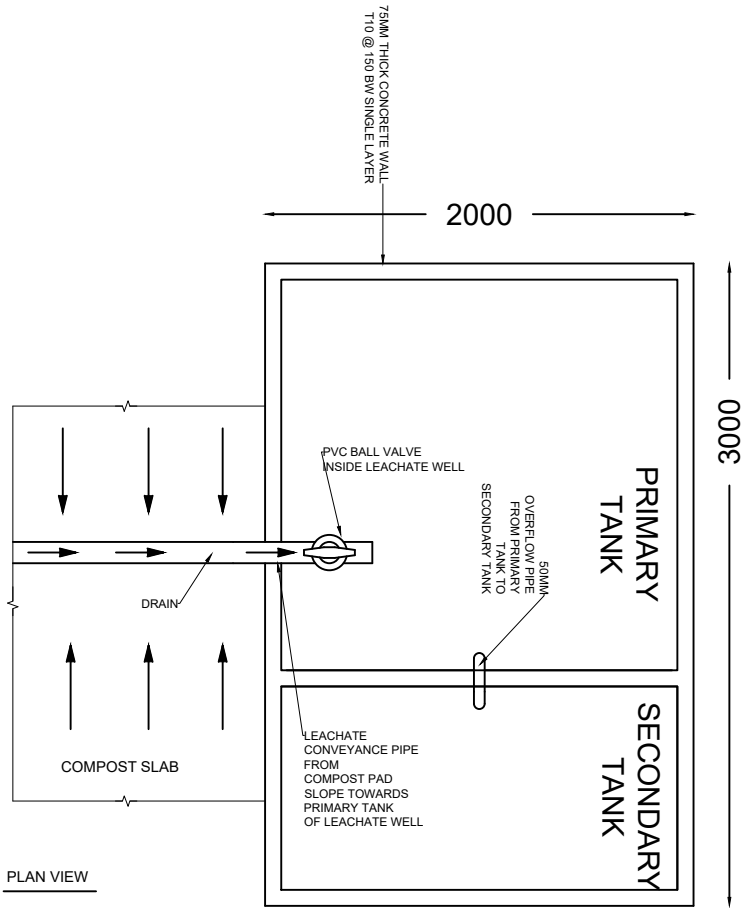


SLAB EXPANSION JOINT DETAIL

COMPOST SLAB BEAM DETAILS

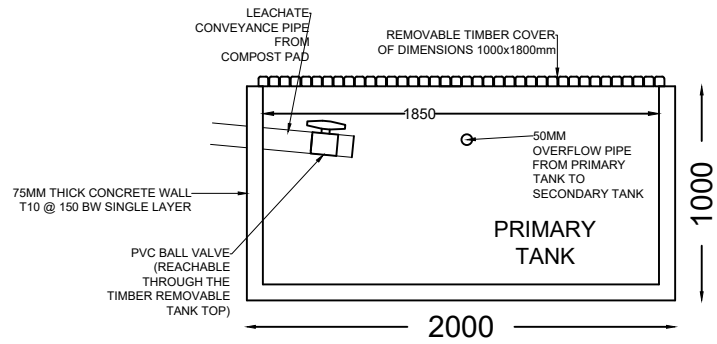


LEACHATE COLLECTION TANK

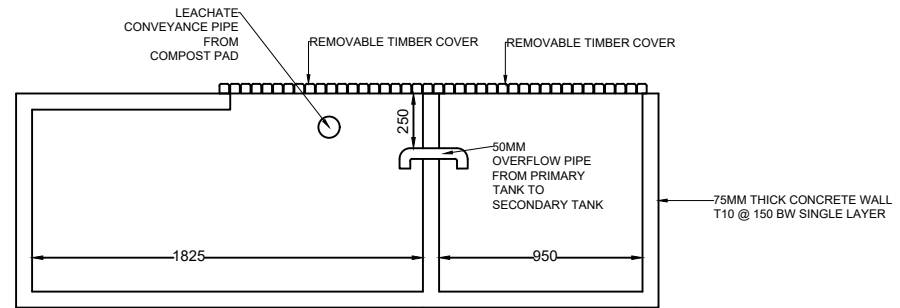


PLAN

LEACHATE WELL DETAILS

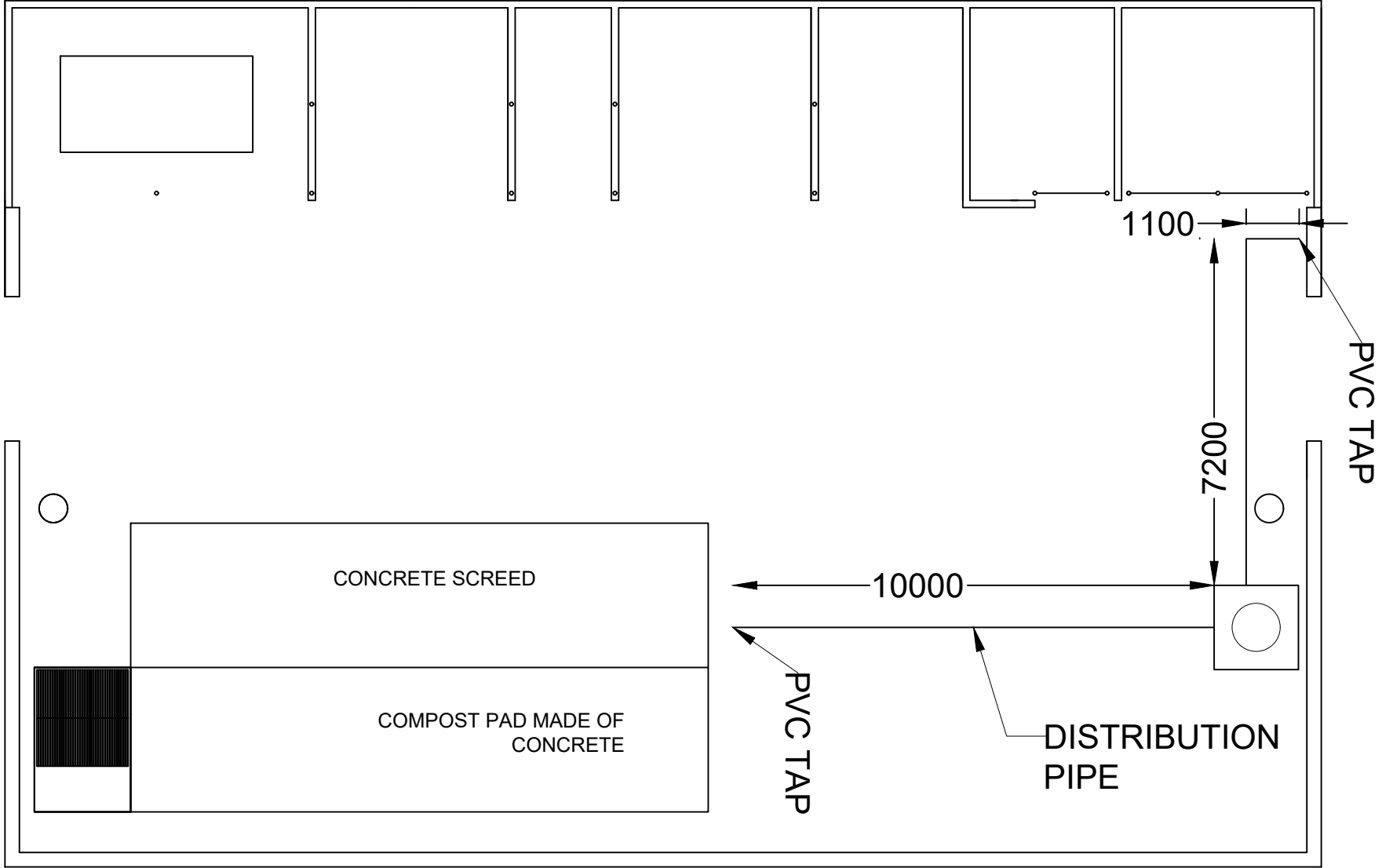


SECTION AA



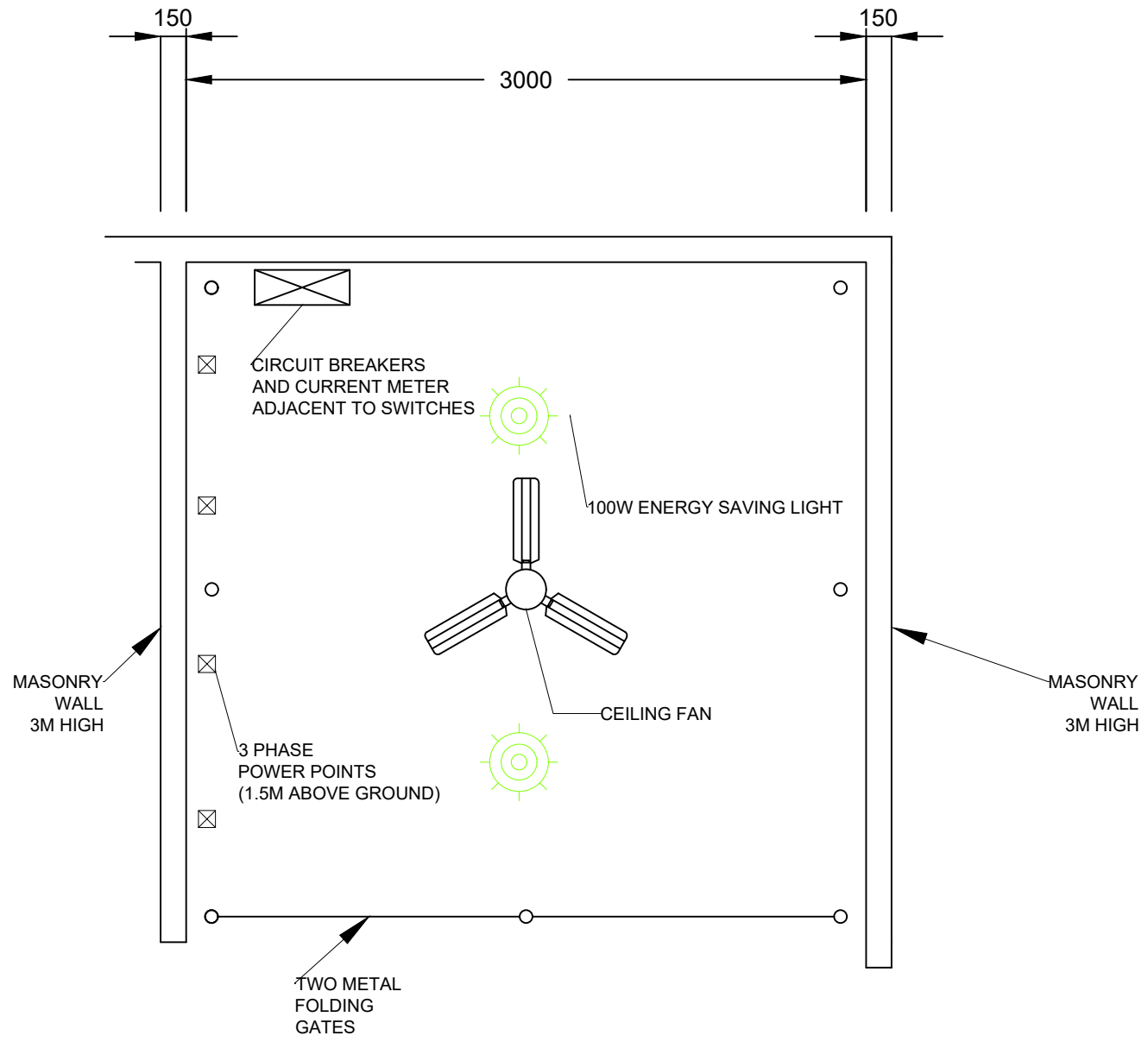
SECTION BB

LEACHATE COLLECTION TANK - DETAILS



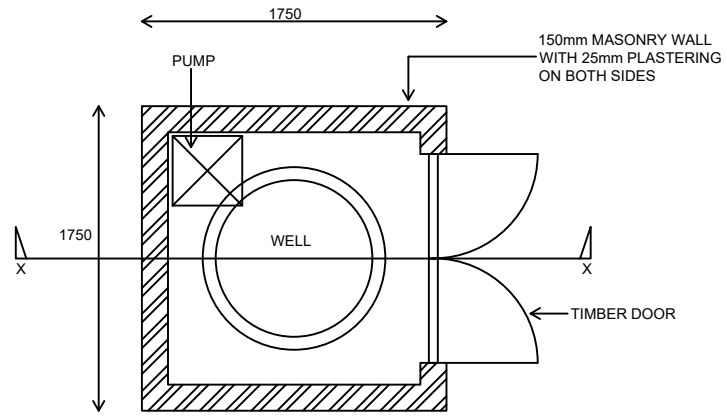
PLUMBING LAYOUT



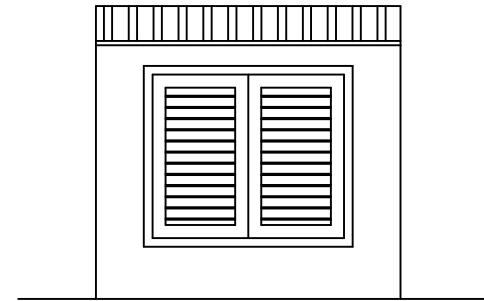


ELECTRICAL LAYOUT - EQUIPMENT ROOM

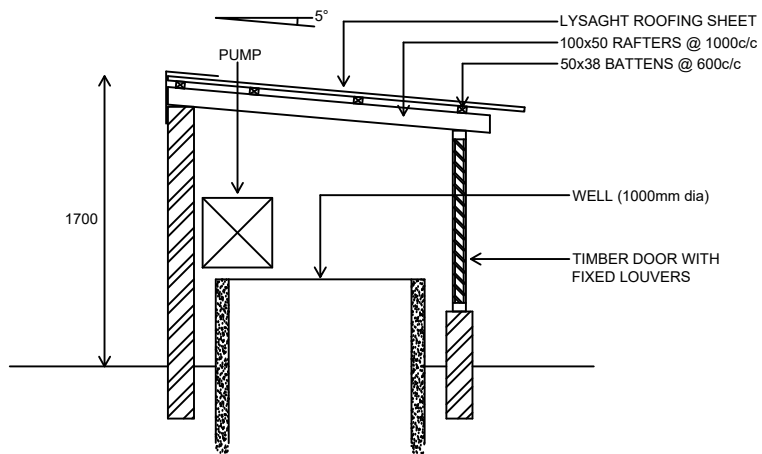




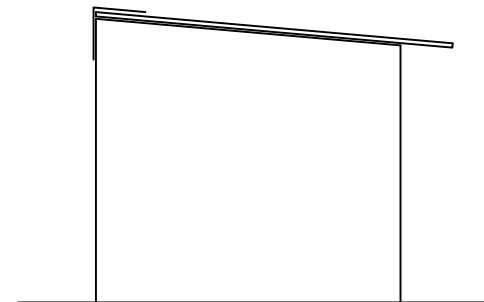
PUMP ROOM HUT



FRONT ELEVATION



SECTION X-X



SIDE ELEVATION

GROUND WATER PUMP ROOM HUT DETAILS