

1

2

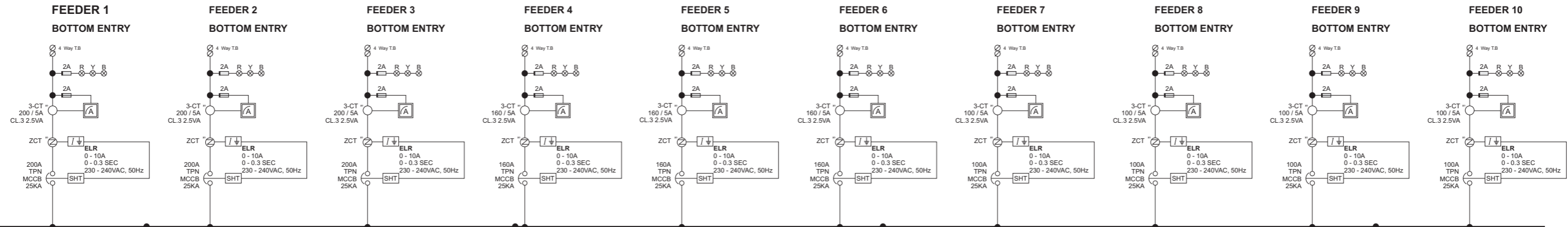
3

4

5

A

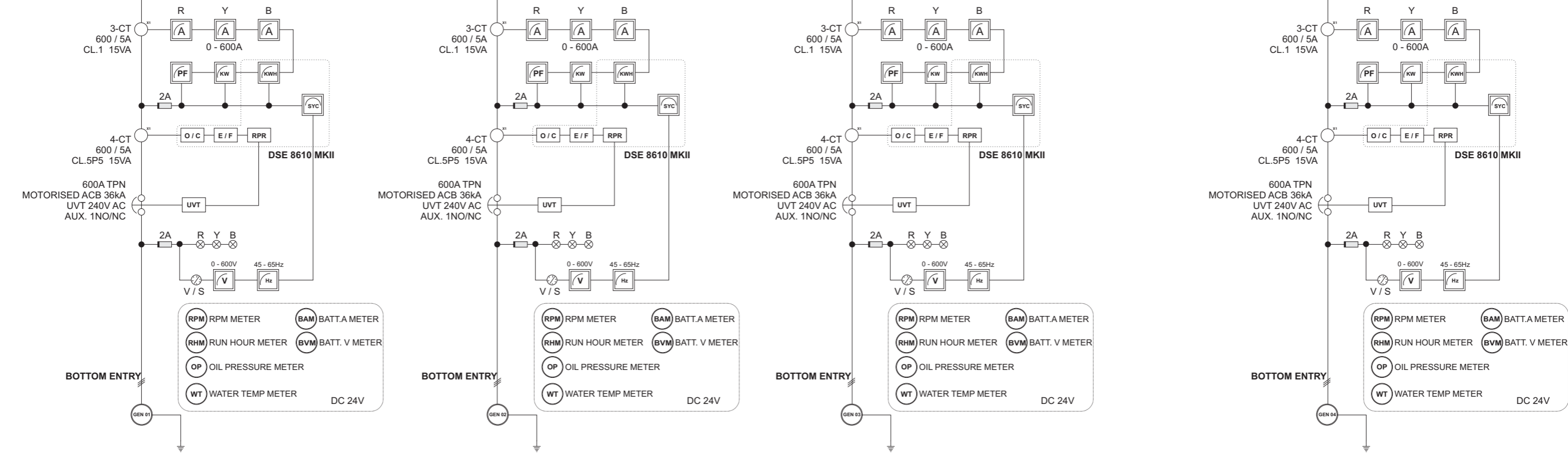
A



B

B

800A TPN + E
TINNED COPPER BUSBAR



C

C

D

D

ELECTRICAL ENGINEERING DEPARTMENT

KADHDHOO AIRPORTS COMPANY LTD

JOB NO.

DATE:

DESIGN:

DRAWN:

800A FOUR BAY AUTO SYNCHRONIZING AND DISTRIBUTION PANEL
SINGLE LINE DIAGRAM



CHECKED:

APPROVED:

LAST REVISED:

SCALE:

DRAWING:

REVISION:

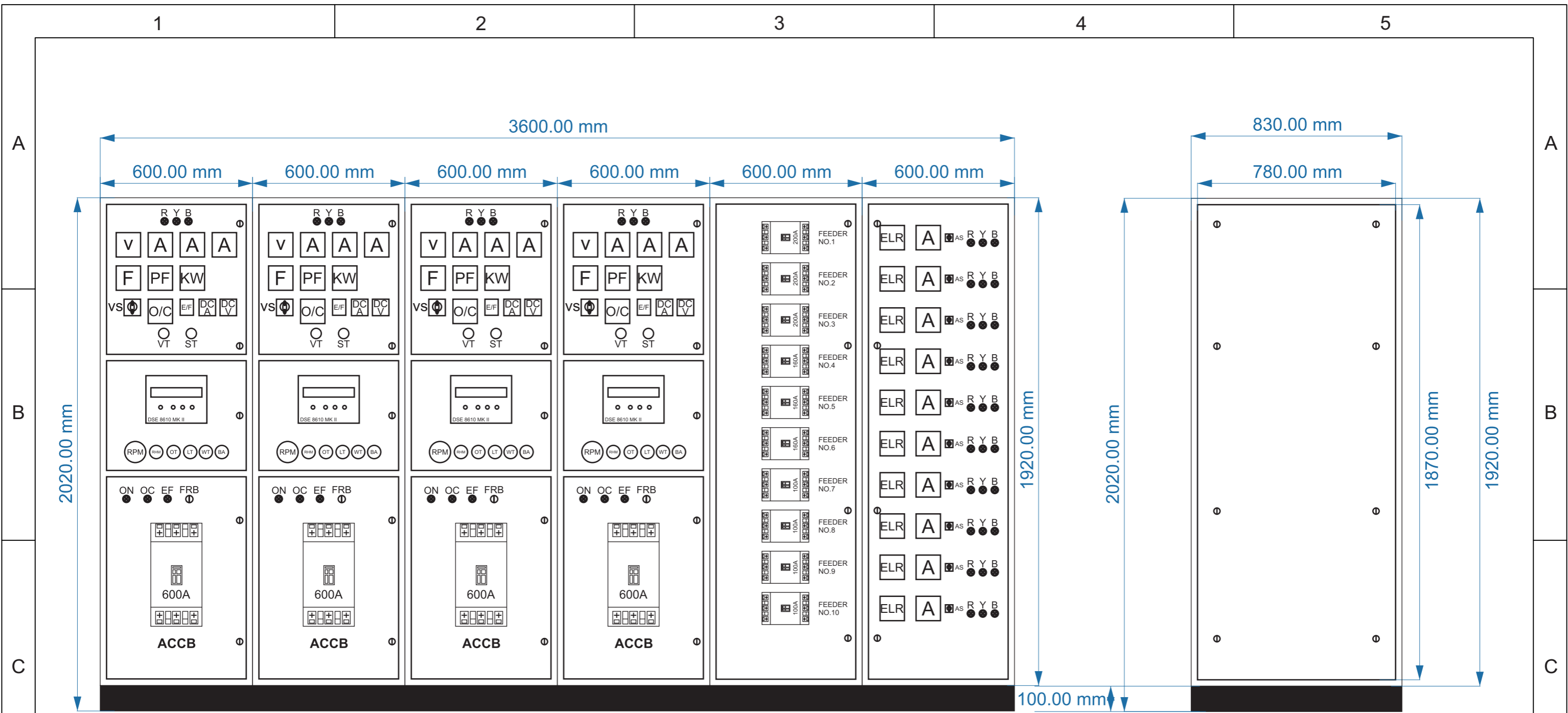
1

2

3


4

5



FRONT ELEVATION

SIDE ELEVATION

<p>ELECTRICAL ENGINEERING DEPARTMENT</p> <p>KADHDHOO AIRPORTS COMPANY LTD</p>	JOB NO.	DATE:	DESIGN:	DRAWN:
	<p>800A FOUR BAY AUTO SYNCHRONIZING AND DISTRIBUTION PANEL ELEVATIONS</p> 		CHECKED:	APPROVED:
			LAST REVISED:	SCALE:
				DRAWING:

1

2

3

4

5